



US00D627991S

(12) **United States Design Patent**  
**Sexton**

(10) **Patent No.:** **US D627,991 S**  
(45) **Date of Patent:** **\*\* Nov. 30, 2010**

- (54) **DESK**
- (75) Inventor: **James S. Sexton**, San Ramon, CA (US)
- (73) Assignee: **Z-Line Designs, Inc.**, San Ramon, CA (US)
- (\*\*) Term: **14 Years**
- (21) Appl. No.: **29/368,289**
- (22) Filed: **Aug. 20, 2010**

- D569,126 S 5/2008 Sexton
- D569,132 S 5/2008 Sexton
- D573,366 S 7/2008 Sexton
- D580,684 S 11/2008 Sexton
- D592,892 S 5/2009 Sexton
- D598,676 S 8/2009 Sexton
- D616,674 S 6/2010 Sexton
- D617,116 S \* 6/2010 Sexton ..... D6/425
- D618,011 S \* 6/2010 Sexton ..... D6/426

**Related U.S. Application Data**

- (63) Continuation of application No. 29/360,874, filed on Apr. 30, 2010, which is a continuation of application No. 29/345,305, filed on Oct. 13, 2009, now Pat. No. Des. 617,116.

- (51) **LOC (9) Cl.** ..... **06-03**
- (52) **U.S. Cl.** ..... **D6/484**
- (58) **Field of Classification Search** ..... D6/422-428, D6/480-484, 495-499; 312/194-196, 239, 312/279; 108/50.01, 50.02, 153.1, 155, 156, 108/161; 248/188, 188.1, 188.8  
See application file for complete search history.

**References Cited**

**U.S. PATENT DOCUMENTS**

- D471,030 S 3/2003 Chang
- D474,355 S 5/2003 Sexton
- D477,931 S \* 8/2003 Chang ..... D6/422
- D501,339 S \* 2/2005 Lai ..... D6/480
- D506,887 S 7/2005 McDiarmid
- D527,550 S 9/2006 Sexton
- 7,111,564 B2 9/2006 Chang
- D549,009 S 8/2007 Lin

**OTHER PUBLICATIONS**

U.S. Appl. No. 29/360,466, filed Apr. 26, 2010, titled "Desk", Inventor: James S. Sexton.

\* cited by examiner

*Primary Examiner*—Janice E Seeger

(74) *Attorney, Agent, or Firm*—Townsend and Townsend and Crew LLP

(57) **CLAIM**

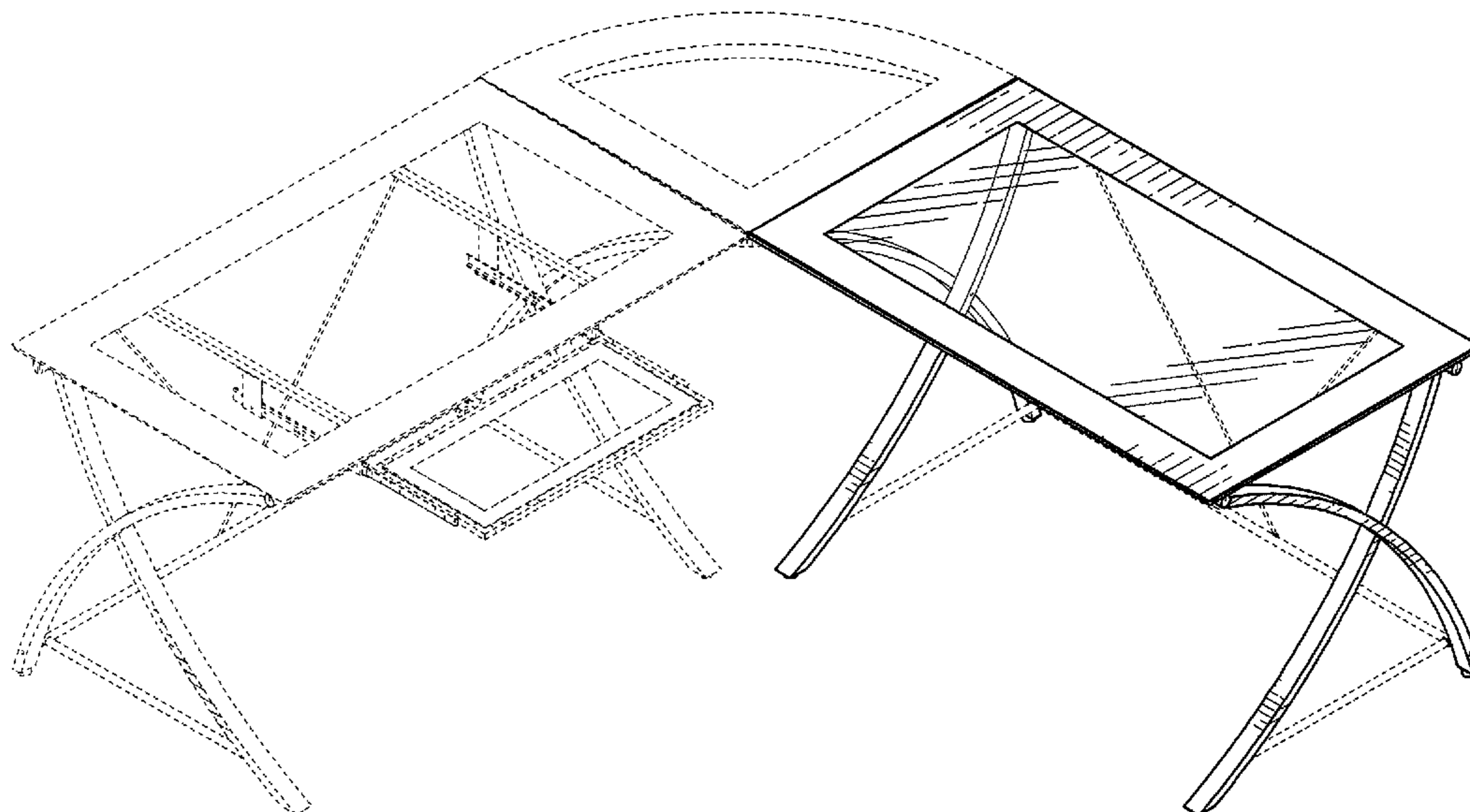
The ornamental design for a desk, as shown and described.

**DESCRIPTION**

FIG. 1 is a perspective view of a desk showing my new design;  
 FIG. 2 is a top plan view thereof;  
 FIG. 3 is a bottom plan view thereof;  
 FIG. 4 is a right side elevational view thereof;  
 FIG. 5 is a left side elevational view thereof;  
 FIG. 6 is a rear elevational view thereof; and,  
 FIG. 7 is a front elevational view thereof.

The broken line showings are for environmental purposes only and form no part of the claimed design.

**1 Claim, 5 Drawing Sheets**



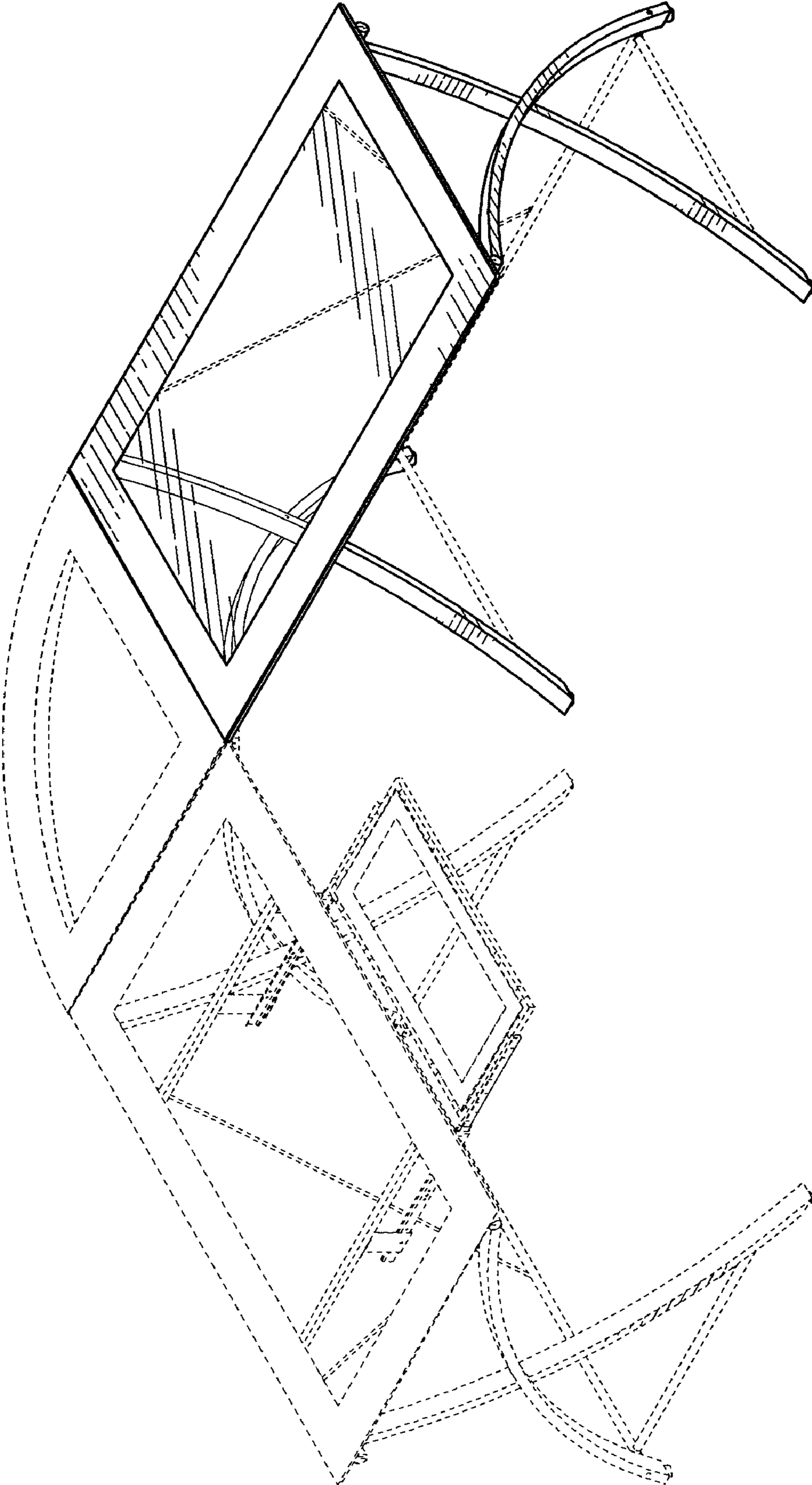


FIG. 1

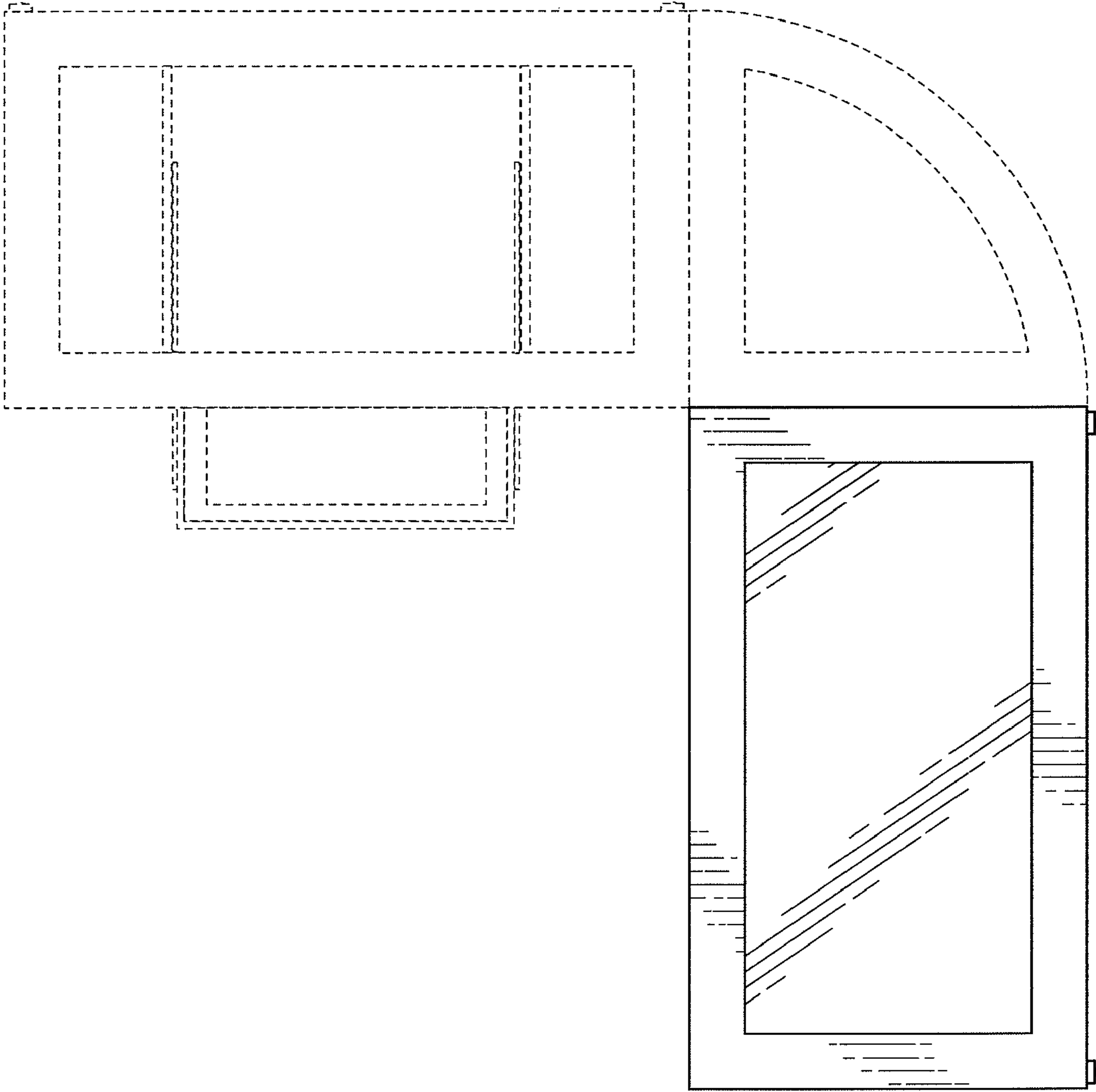


FIG. 2

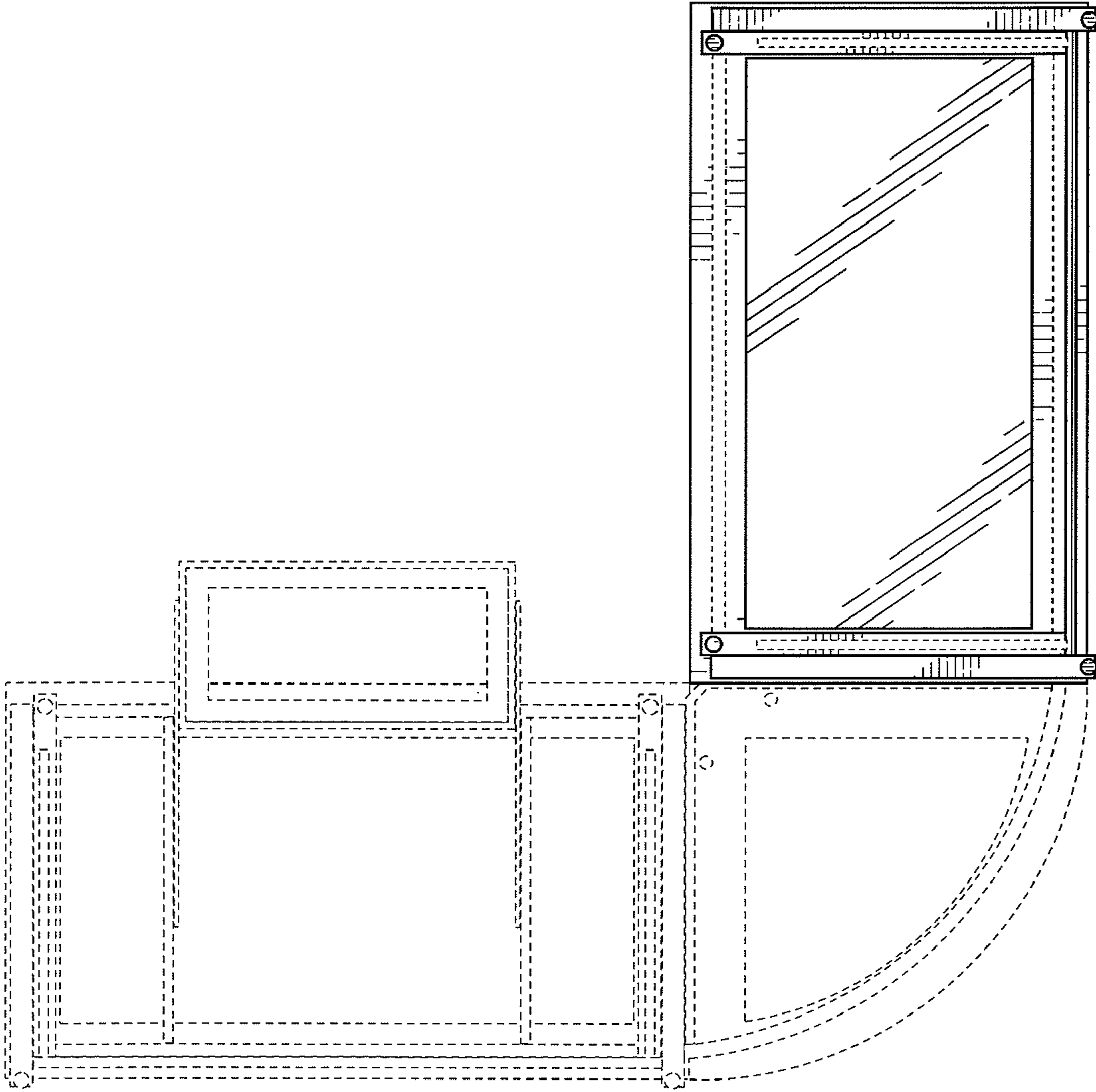


FIG. 3

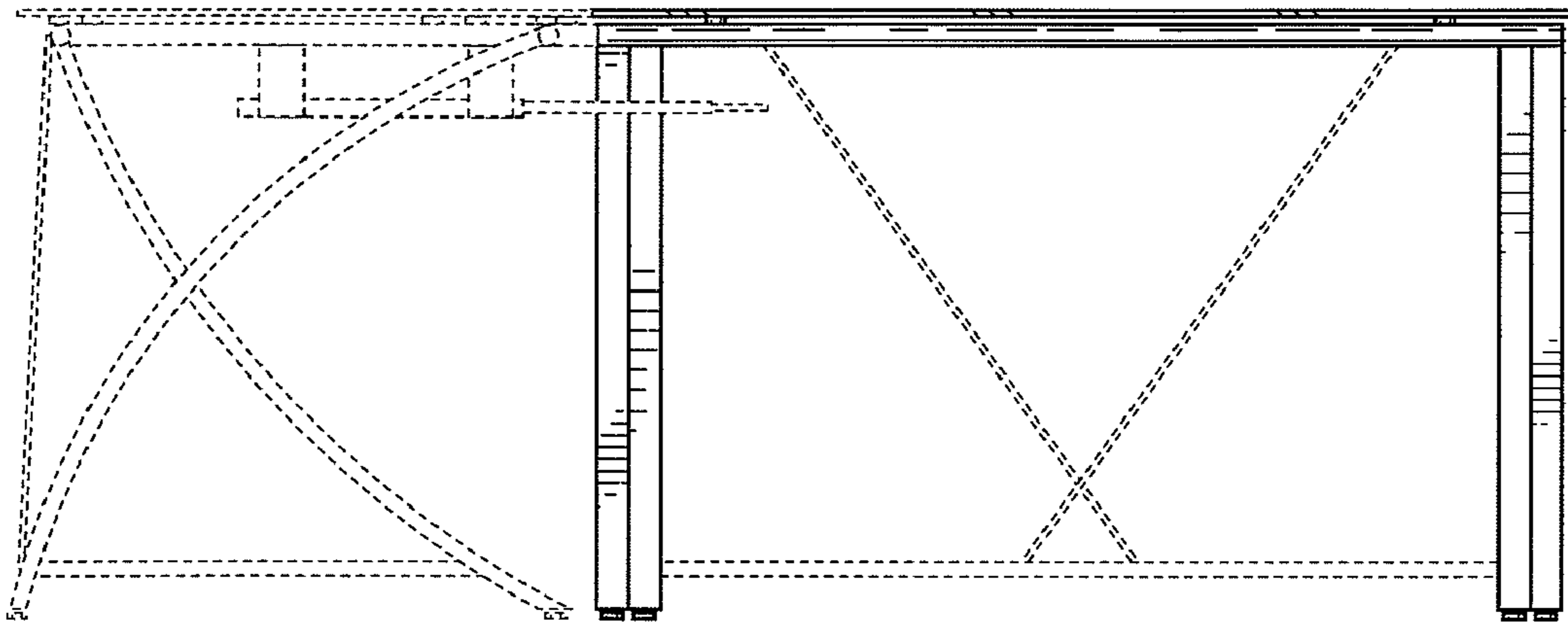


FIG. 4

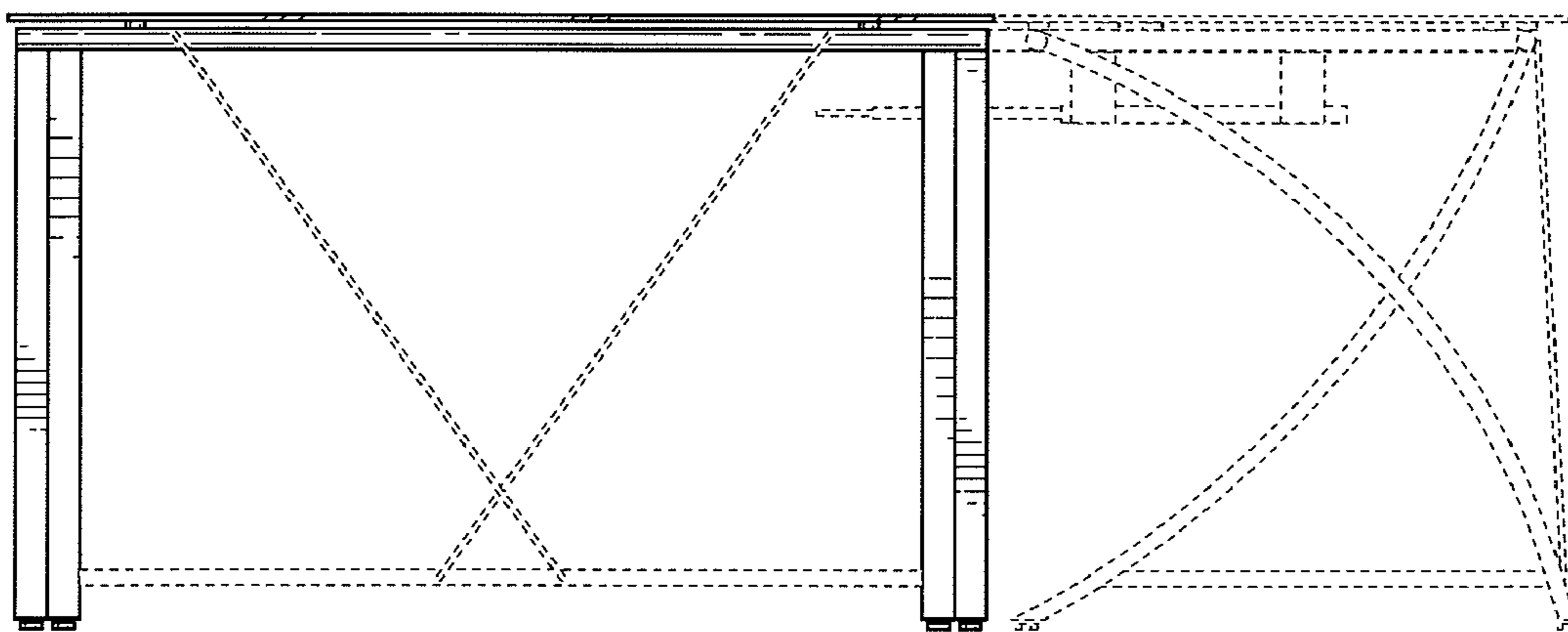


FIG. 5

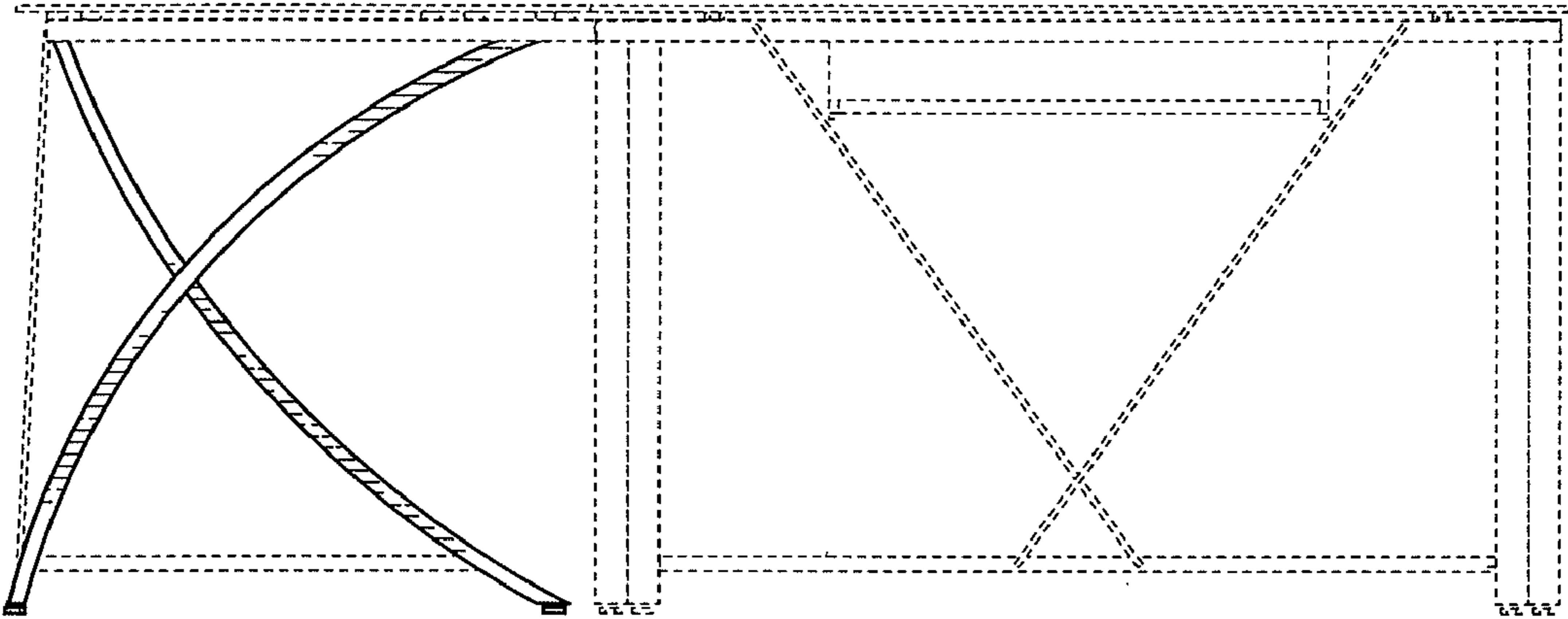


FIG. 6

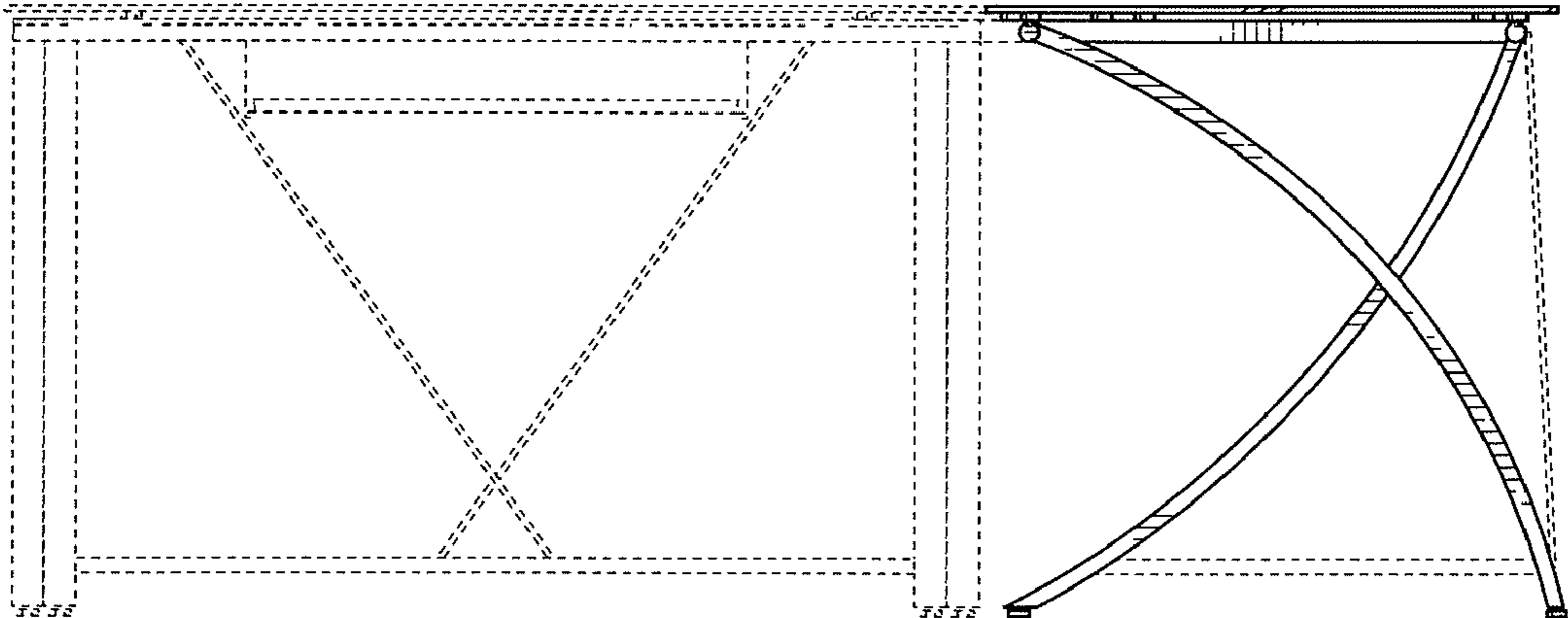


FIG. 7