



US00D627985S

(12) **United States Design Patent**  
**Salus**

(10) **Patent No.:** **US D627,985 S**

(45) **Date of Patent:** **\*\* Nov. 30, 2010**

(54) **HOSPITAL BED**

(75) Inventor: **Michal Salus**, Roudnice nad Labem  
(CZ)

(73) Assignee: **Linet Spol. S.R.O.** (CZ)

(\*\*) Term: **14 Years**

(21) Appl. No.: **29/359,312**

(22) Filed: **Apr. 8, 2010**

**Related U.S. Application Data**

(63) Continuation of application No. 29/325,480, filed on  
Oct. 1, 2008, now abandoned.

(30) **Foreign Application Priority Data**

Apr. 3, 2008 (EM) ..... 000908256-0001  
Apr. 3, 2008 (EM) ..... 000908256-0002

(51) **LOC (9) Cl.** ..... **06-02**

(52) **U.S. Cl.** ..... **D6/391**

(58) **Field of Classification Search** ..... D6/382-384,  
D6/389, 392-395, 505-508; 5/53.1, 907,  
5/279.1, 280, 281, 2.1, 600, 613, 614, 616-618,  
5/611

See application file for complete search history.

(56) **References Cited**

**U.S. PATENT DOCUMENTS**

2005/0172405 A1\* 8/2005 Menkedick et al. .... 5/618  
2006/0168729 A1\* 8/2006 Weismiller et al. .... 5/618  
2007/0050910 A1\* 3/2007 Blanchard et al. .... 5/617  
2007/0130692 A1\* 6/2007 Lemire et al. .... 5/618  
2007/0169268 A1\* 7/2007 Lemire et al. .... 5/617

2007/0294828 A1\* 12/2007 Hornbach et al. .... 5/611  
2009/0031498 A1\* 2/2009 Girard et al. .... 5/617

\* cited by examiner

*Primary Examiner*—Janice E Seeger

(74) *Attorney, Agent, or Firm*—Ostrolenk Faber LLP

(57) **CLAIM**

The ornamental design for a hospital bed, as shown and  
described.

**DESCRIPTION**

FIG. 1 is a perspective view of a first embodiment of a hospital  
bed showing my new design;

FIG. 2 is a left side view thereof;

FIG. 3 is a right side view thereof;

FIG. 4 is a top view thereof;

FIG. 5 is a bottom view thereof;

FIG. 6 is a head end view thereof;

FIG. 7 is a foot end view thereof;

FIG. 8 is a perspective view of a second embodiment thereof;

FIG. 9 is a left side view thereof;

FIG. 10 is a right side view thereof;

FIG. 11 is a top view thereof;

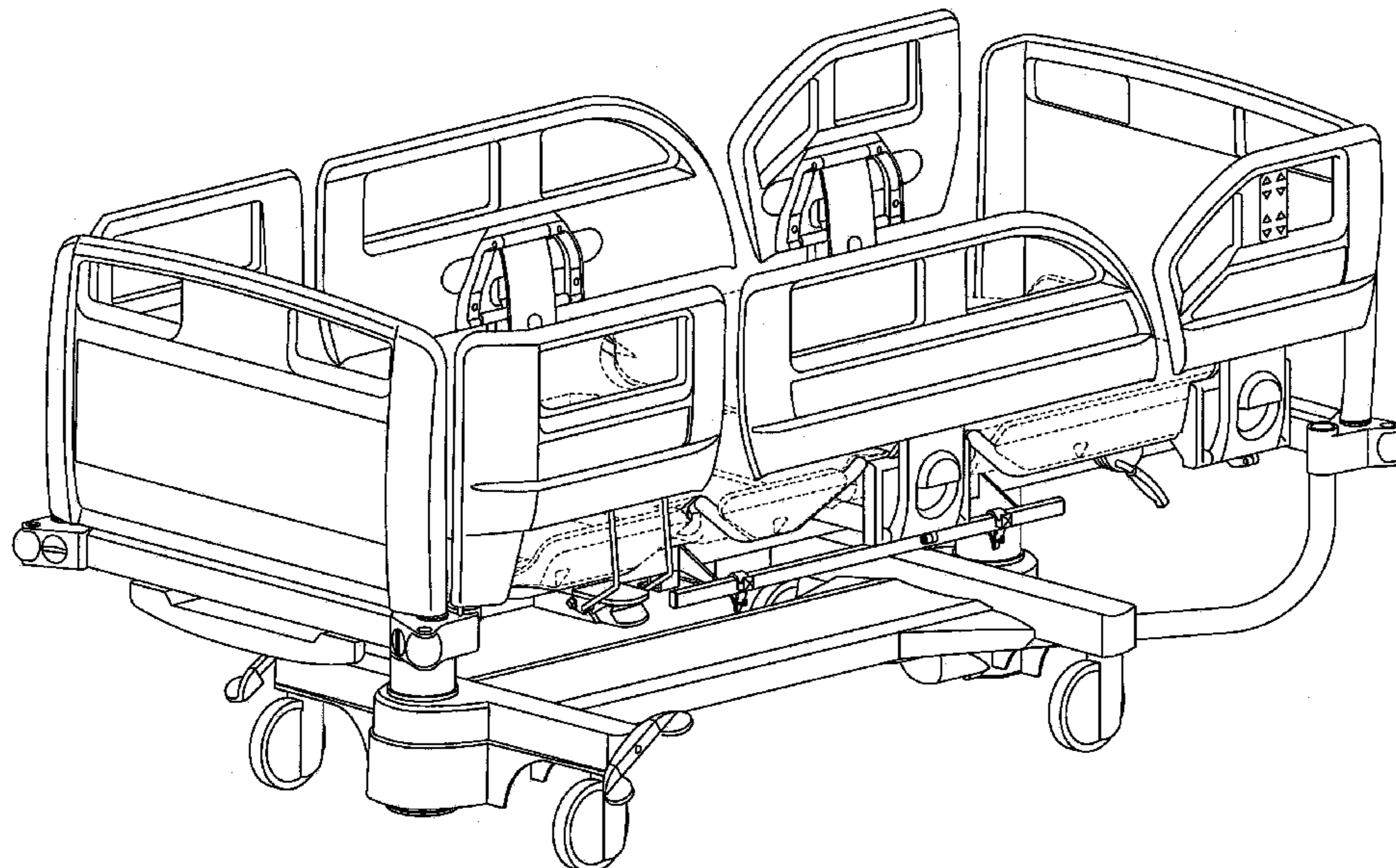
FIG. 12 is a bottom view thereof;

FIG. 13 is a foot end view thereof; and,

FIGS. 14 is a head end view thereof.

The broken lines in the drawings illustrate environmental  
structure and form no part of the design.

**1 Claim, 12 Drawing Sheets**



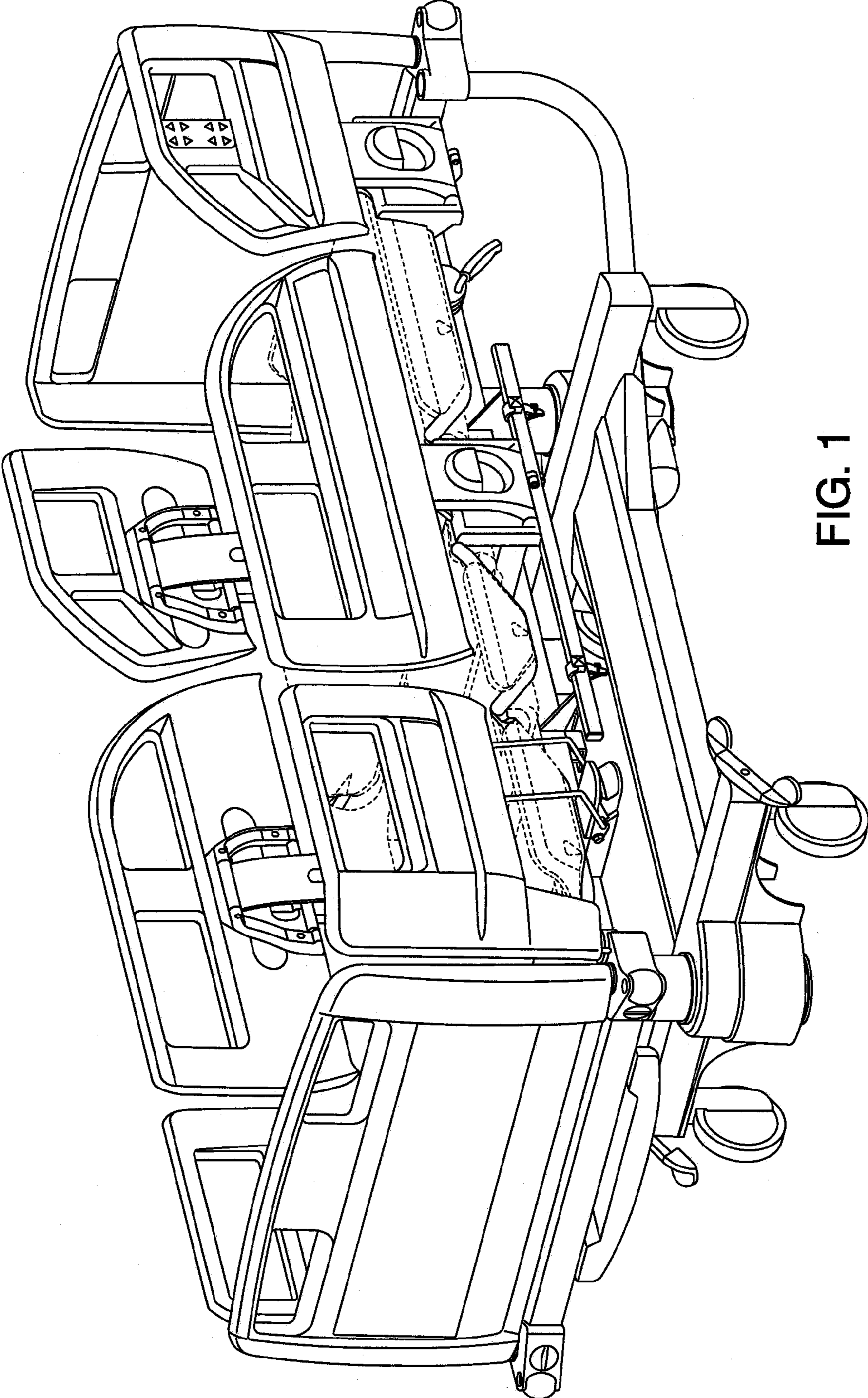


FIG. 1

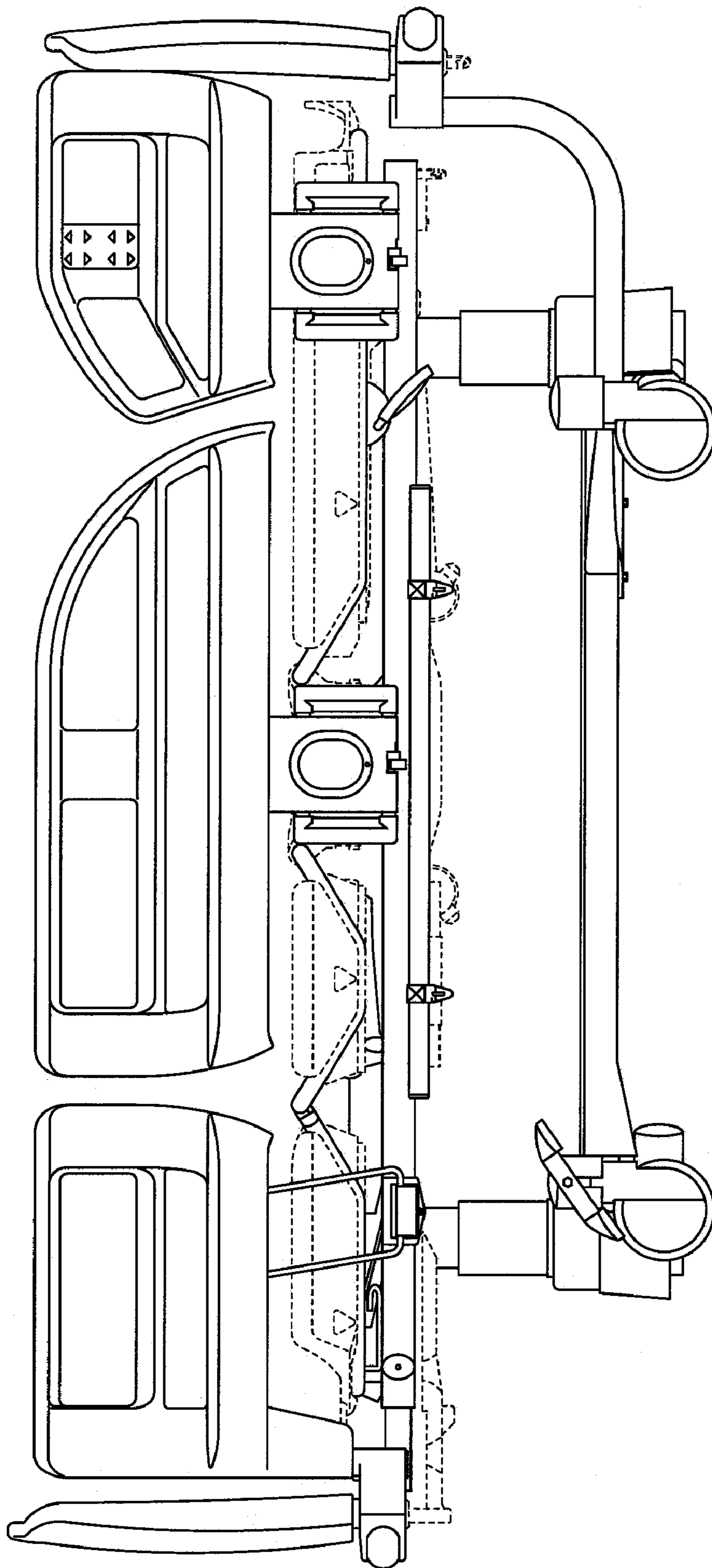


FIG. 2



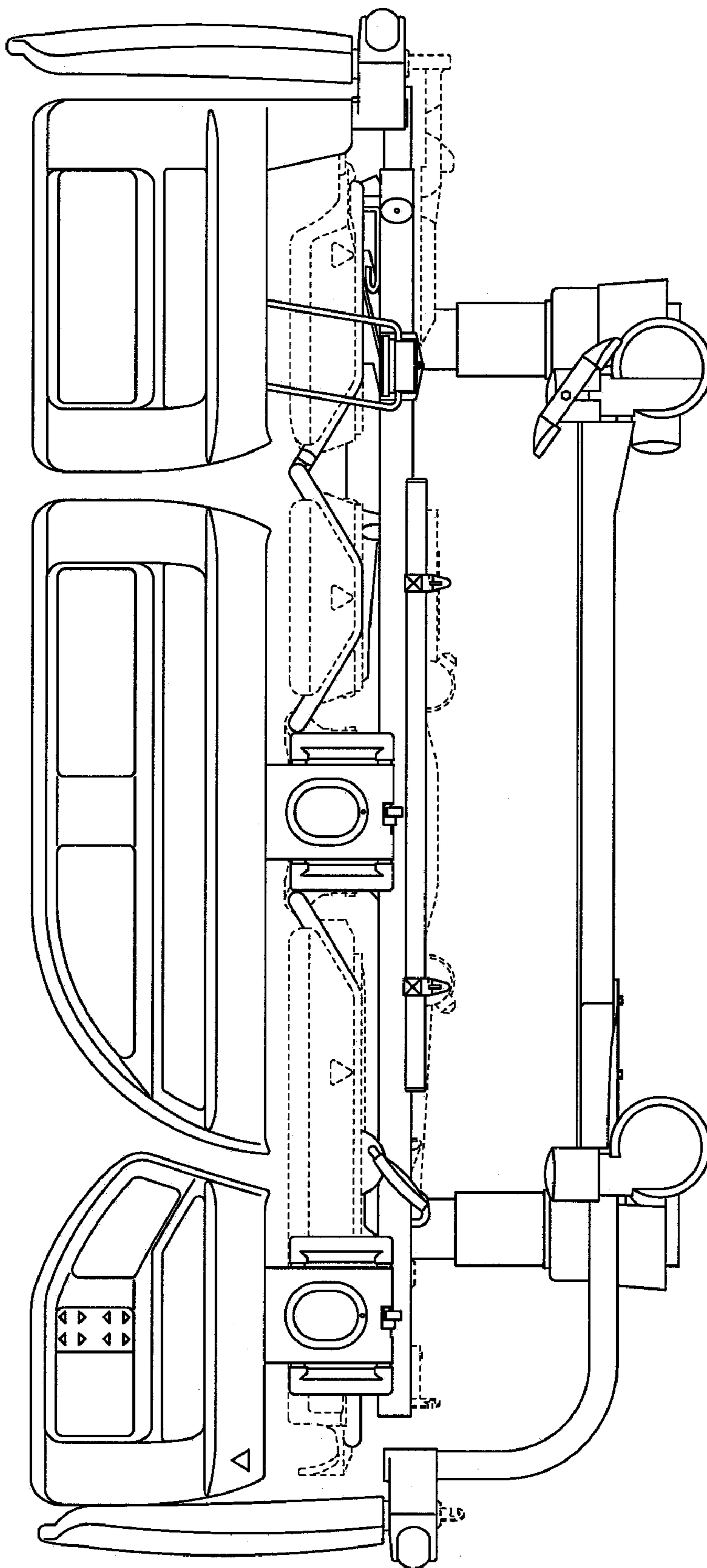


FIG. 3

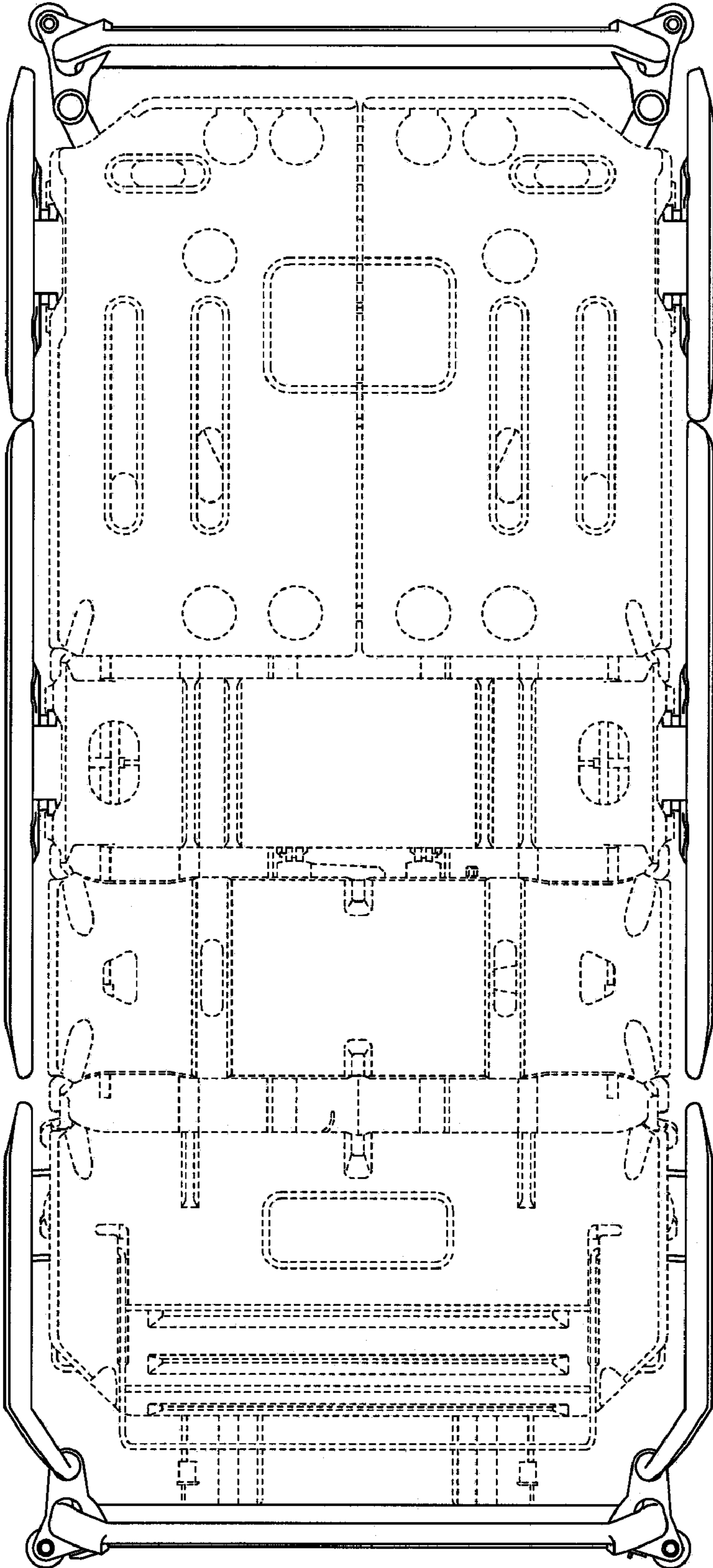


FIG. 4

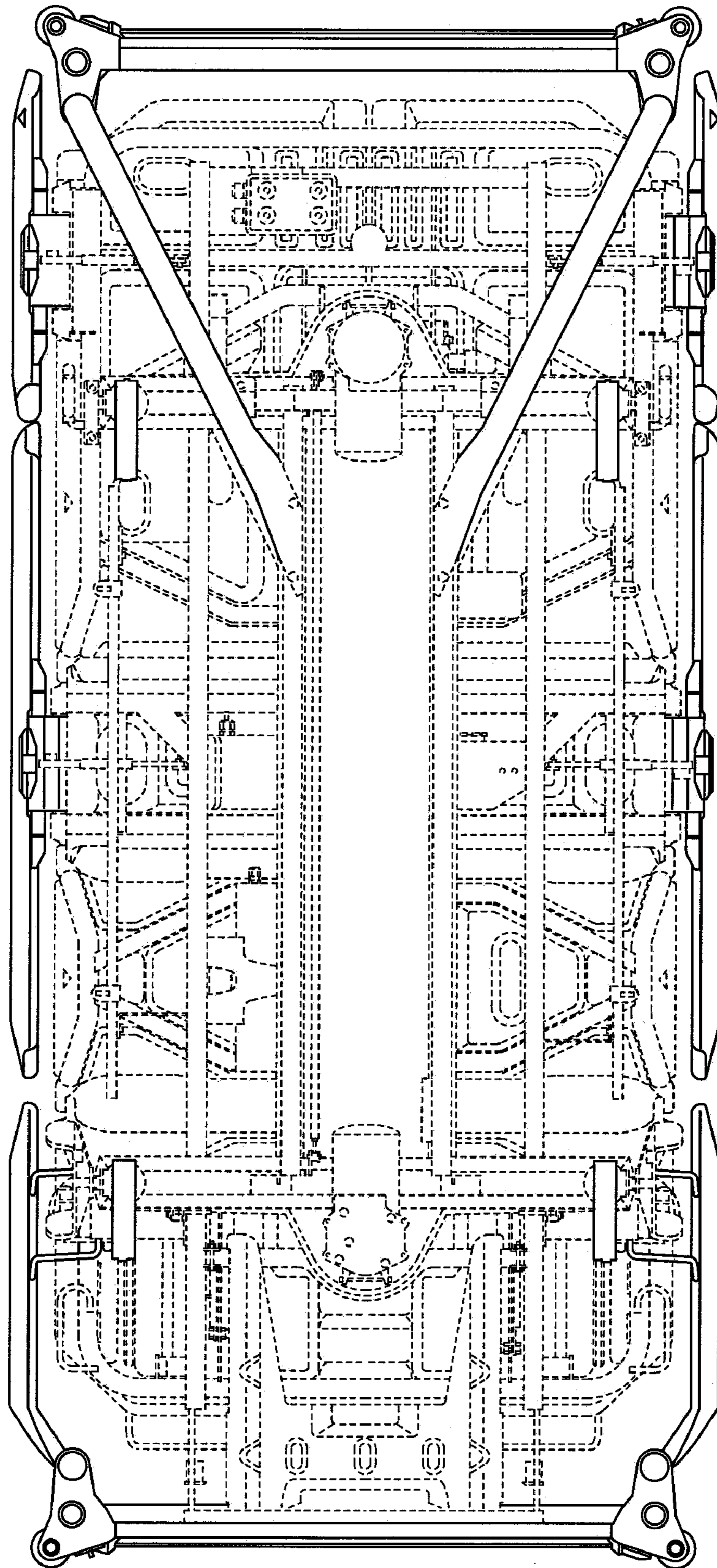


FIG. 5

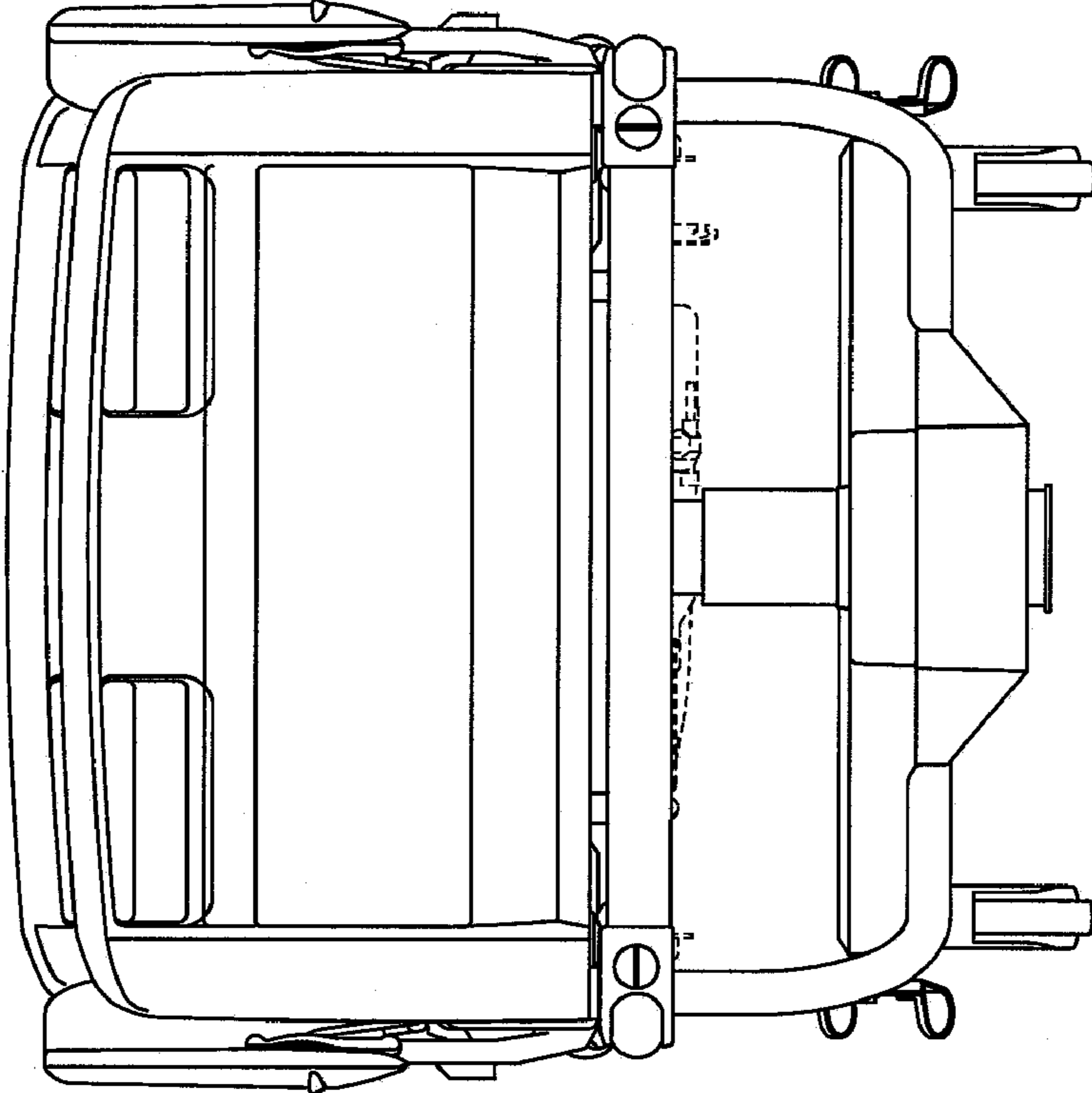


FIG. 6

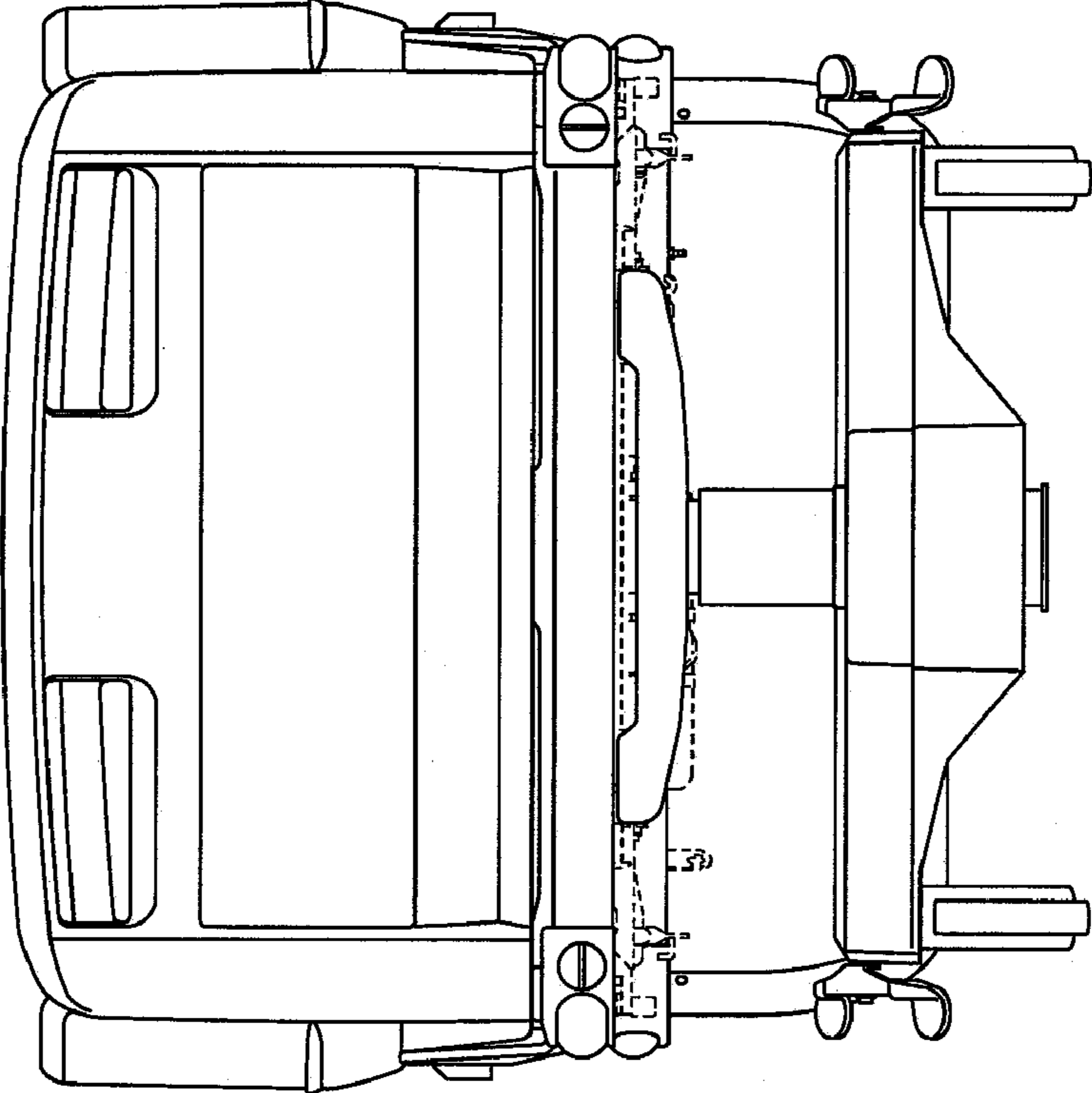


FIG. 7



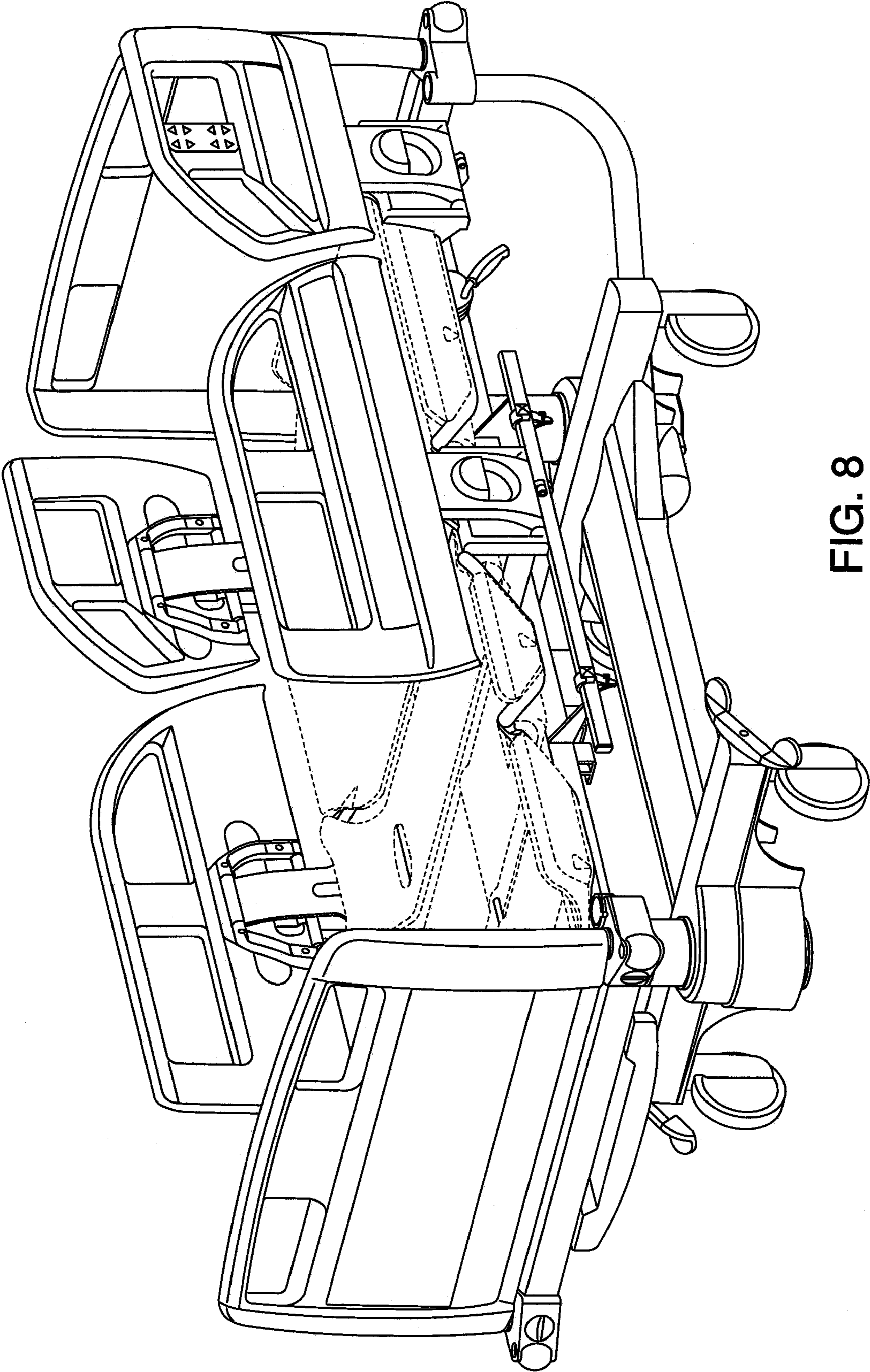


FIG. 8



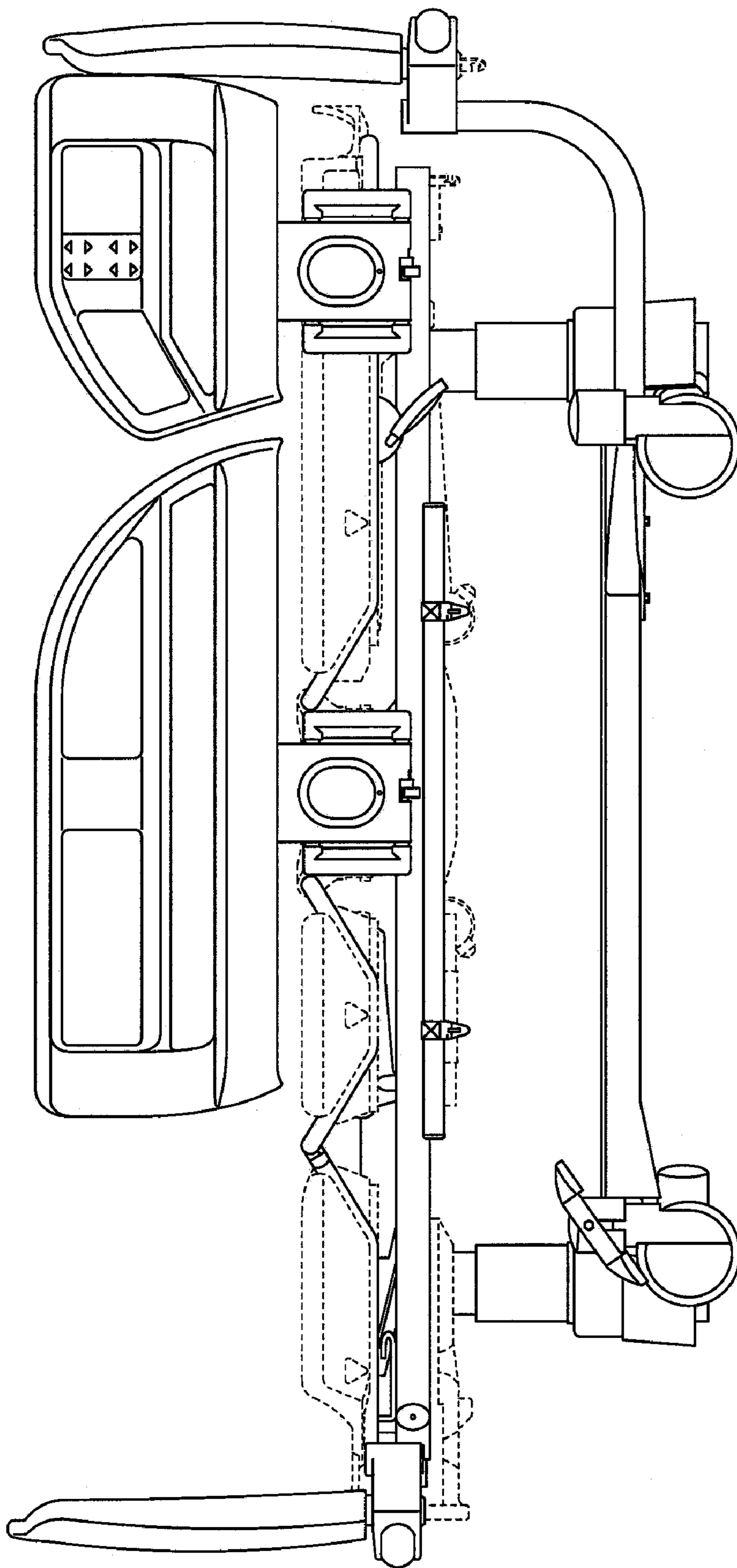


FIG. 9

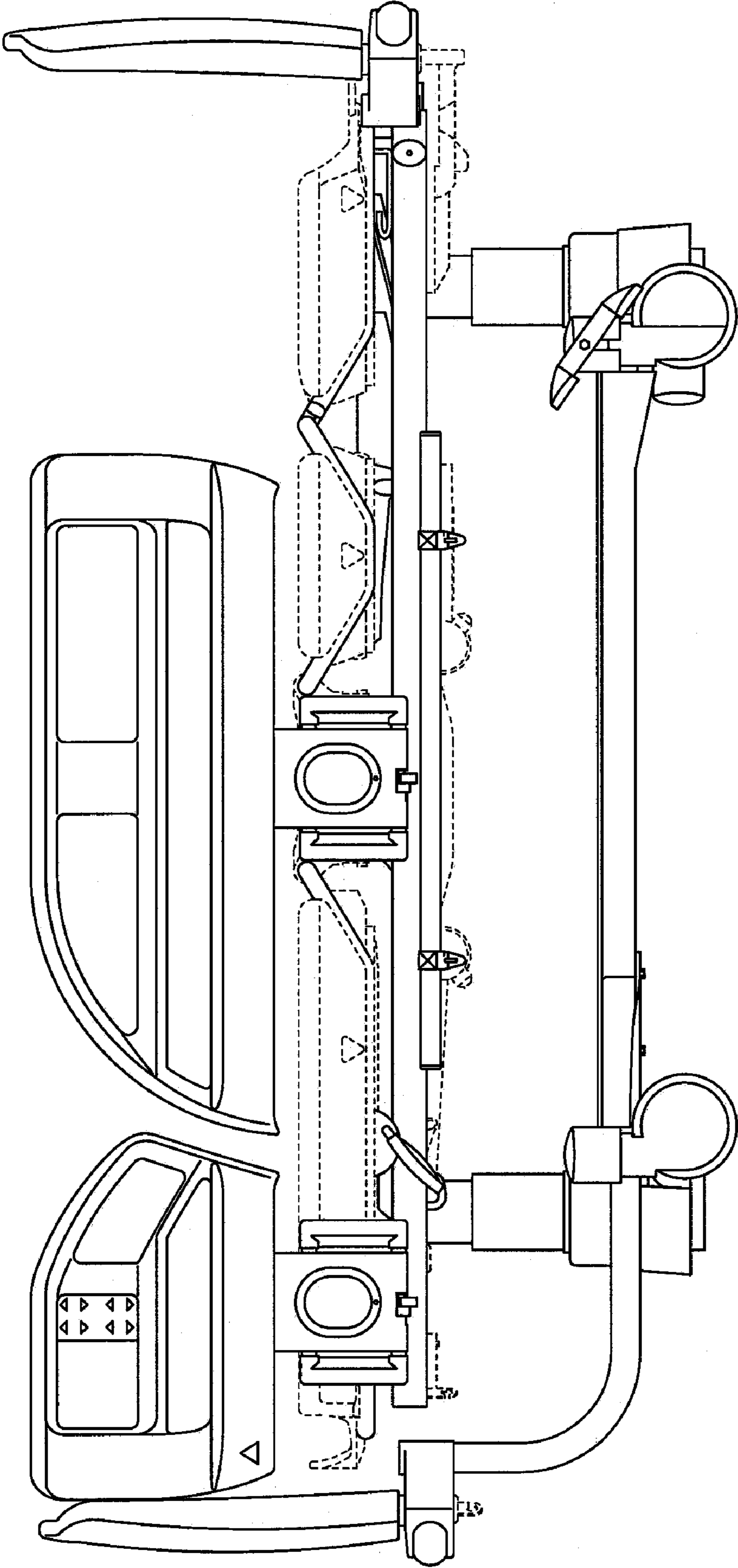


FIG. 10

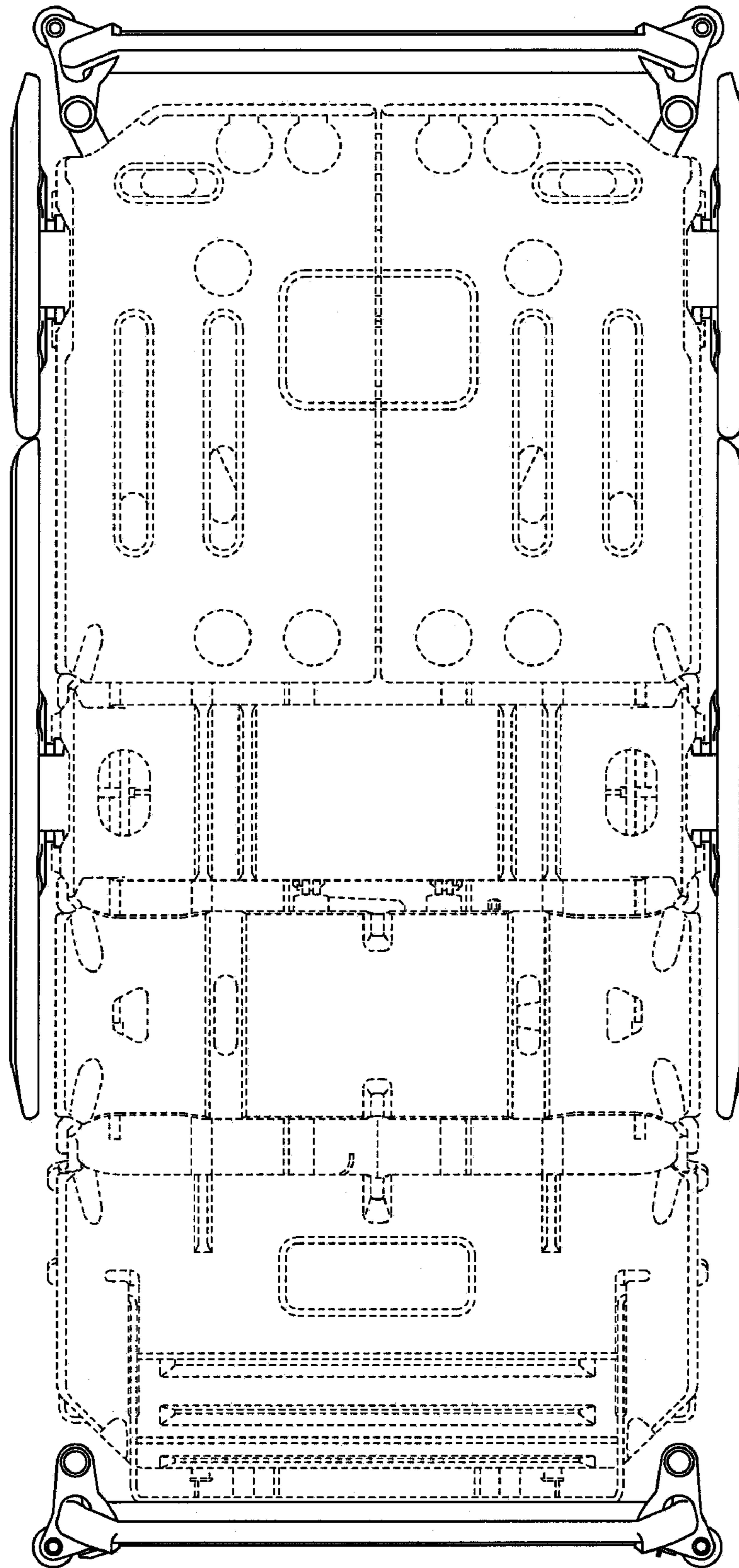


FIG. 11



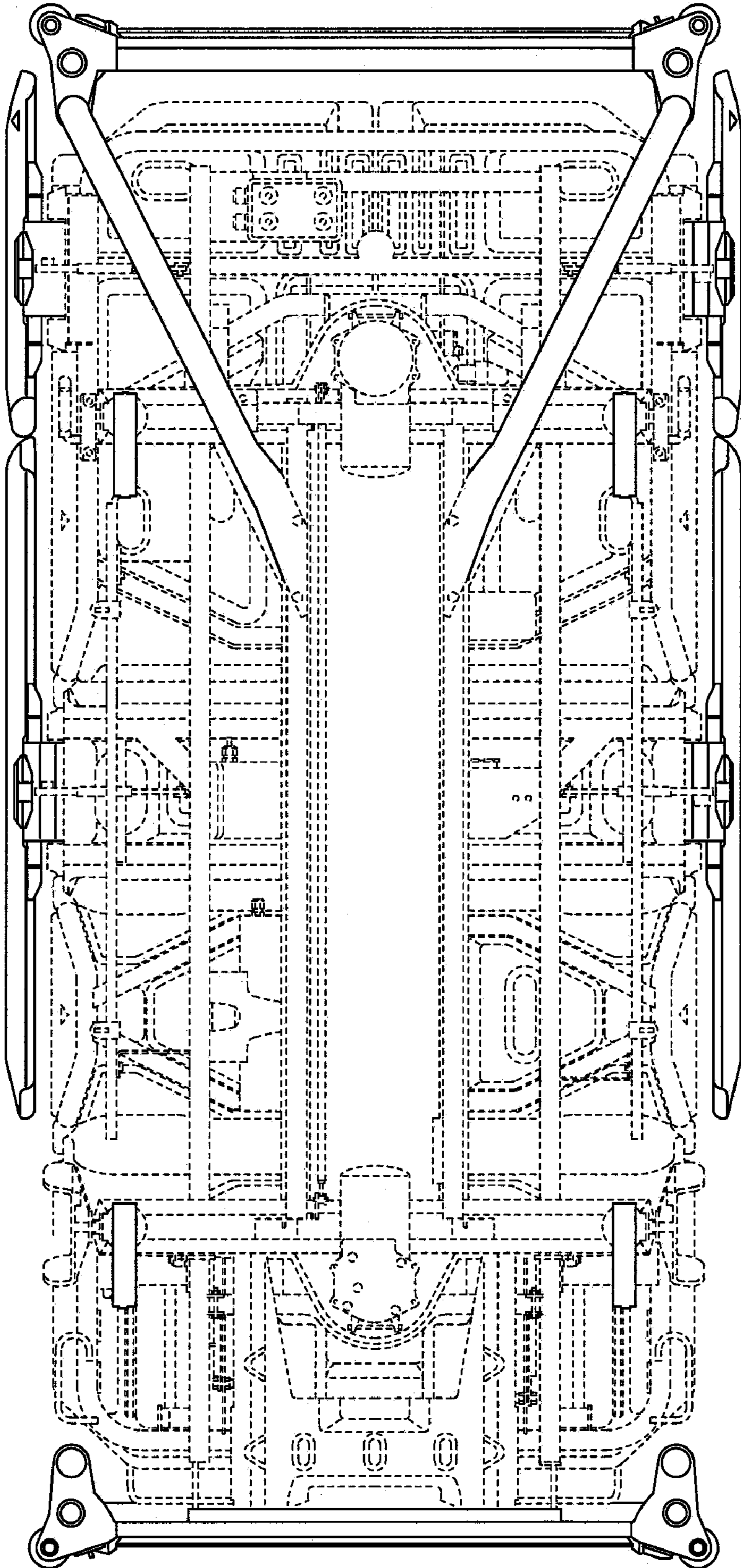


FIG. 12

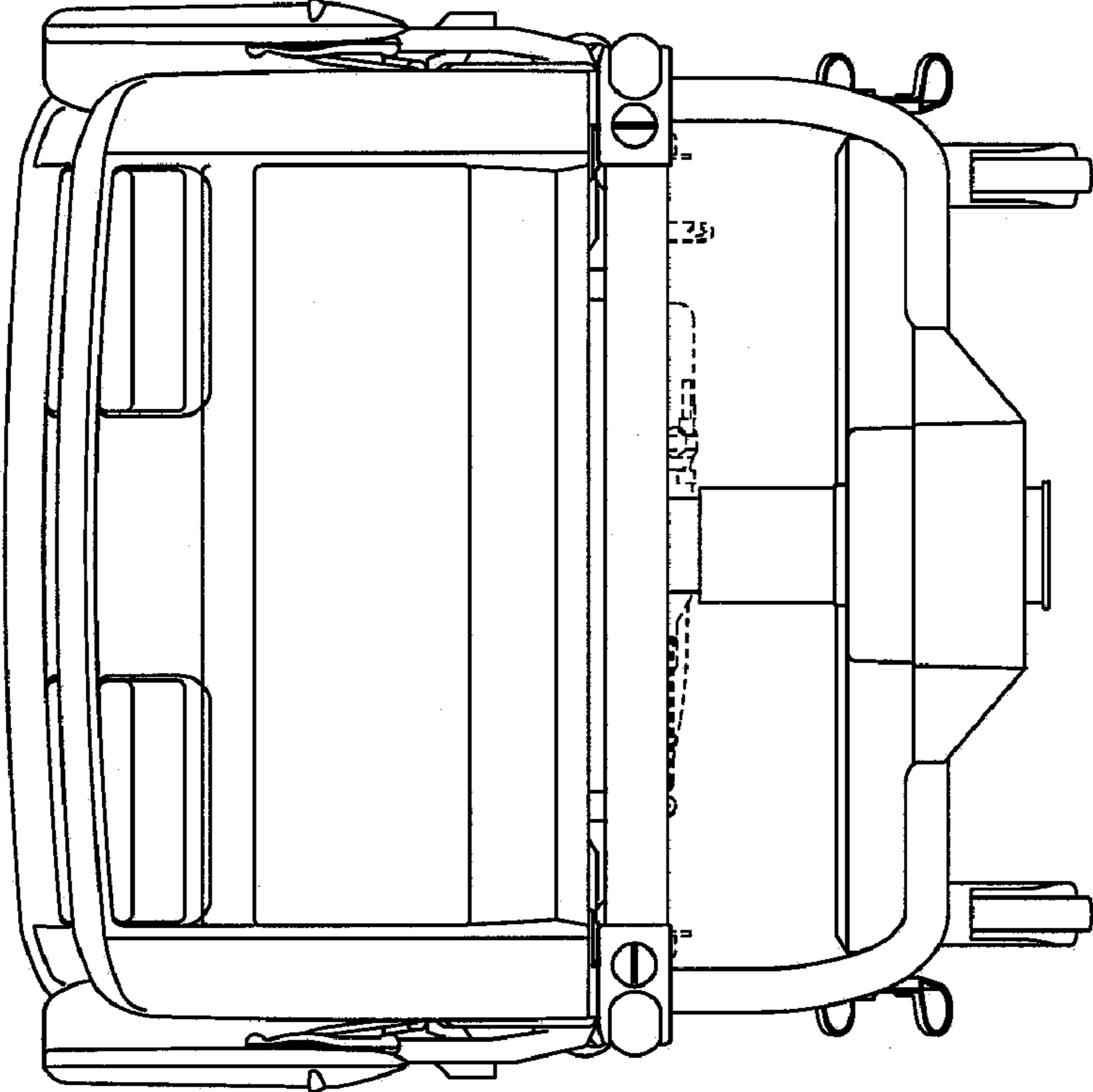


FIG. 14

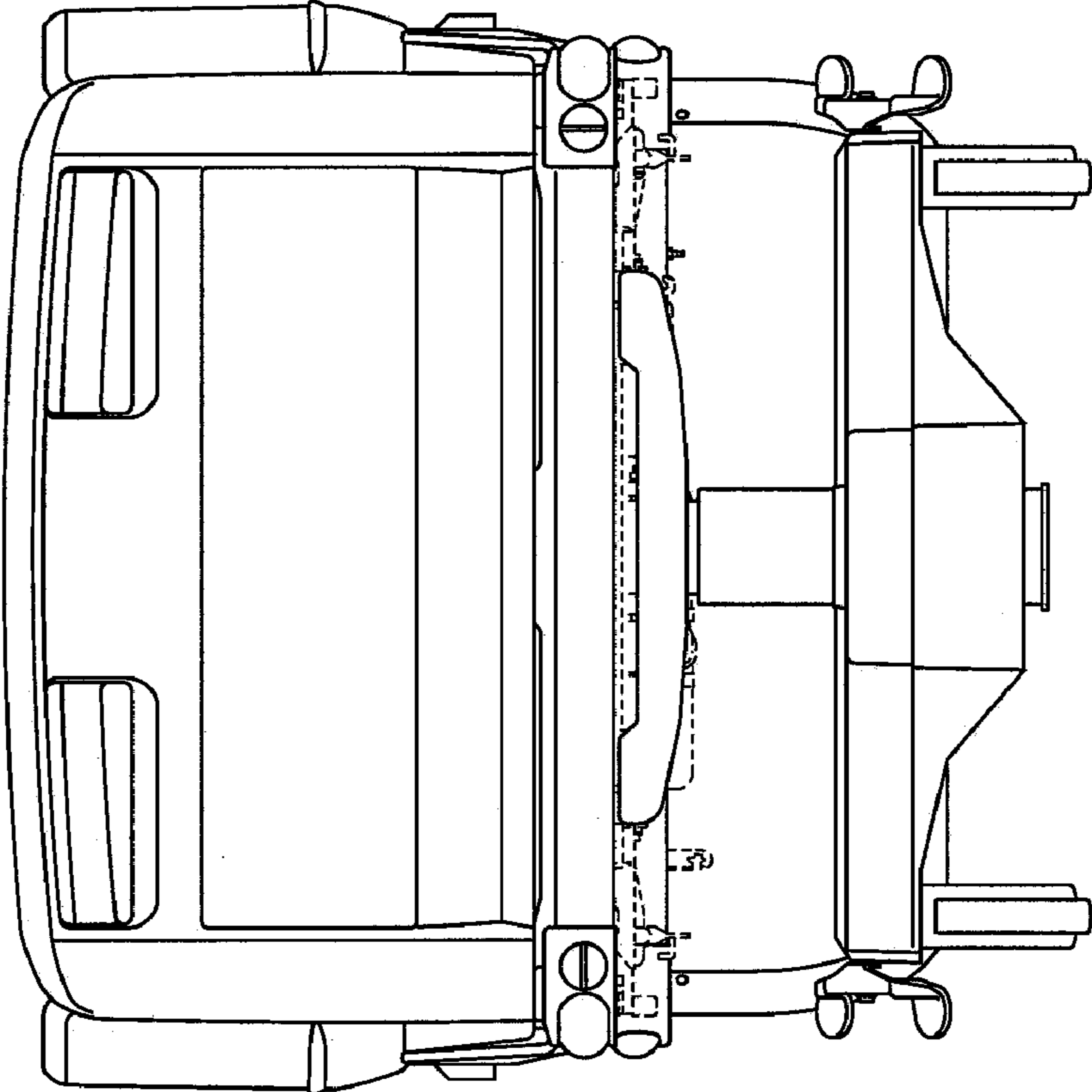


FIG. 13