



US00D627984S

(12) **United States Design Patent**
Haugland

(10) **Patent No.:** **US D627,984 S**

(45) **Date of Patent:** **** Nov. 30, 2010**

(54) **VEHICLE THEME BED**

(76) Inventor: **David Haugland**, 10625 W. Crosby Dr.,
Sun City, AZ (US) 85351

(**) Term: **14 Years**

(21) Appl. No.: **29/333,683**

(22) Filed: **Mar. 13, 2009**

(51) **LOC (9) Cl.** **06-02**

(52) **U.S. Cl.** **D6/388**

(58) **Field of Classification Search** D6/382-384,
D6/388, 393-395, 505-508; 5/907, 53.1,
5/279.1, 280, 281; D12/107; D15/23; D21/427,
D21/433, 434

See application file for complete search history.

(56) **References Cited**

U.S. PATENT DOCUMENTS

D147,943 S *	11/1947	Ziegler	D6/388
D189,741 S *	2/1961	Gatov	D6/388
D196,485 S *	10/1963	Santine	D6/384
D227,285 S *	6/1973	Stober	D21/433
D275,912 S	10/1984	Hydrusko		
4,873,733 A	10/1989	Wang		
4,888,837 A	12/1989	Wang		

D317,685 S *	6/1991	Osborne	D6/388
5,044,024 A	9/1991	Del Rose		
D347,125 S *	5/1994	Brunel	D6/388
6,675,408 B1	1/2004	Mason		
D550,475 S *	9/2007	Chevrier et al.	D6/388

* cited by examiner

Primary Examiner—Janice E Seeger

(74) *Attorney, Agent, or Firm*—Jerry D. Haynes; Law Office
of Jerry D. Haynes, P.A.

(57) **CLAIM**

The ornamental design for a vehicle theme bed, as shown and described.

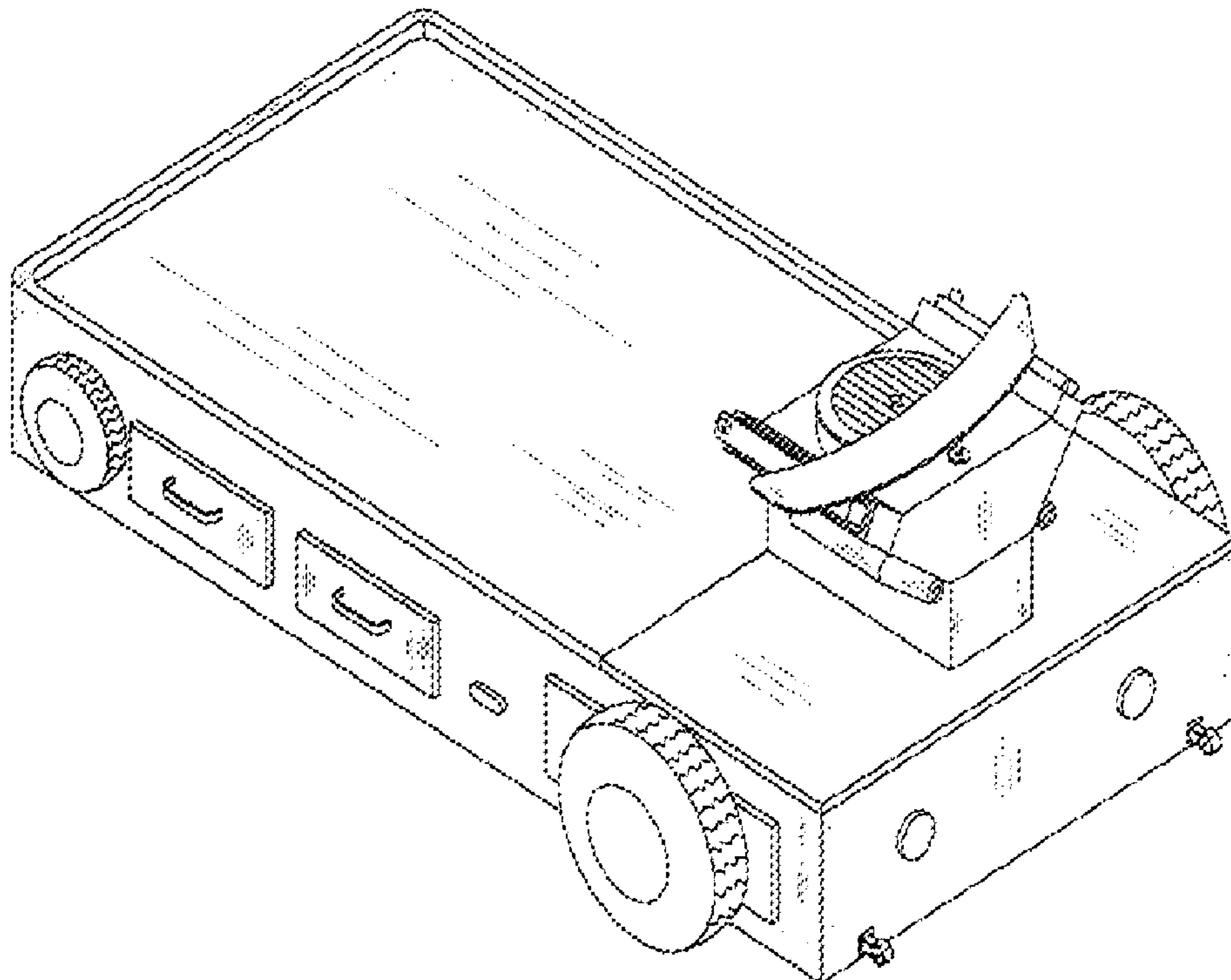
DESCRIPTION

FIG. 1 is a perspective view of a vehicle theme bed;
FIG. 2 is a back view of the vehicle theme bed of FIG. 1;
FIG. 3 is a front view of the vehicle theme bed of FIG. 1; and,
FIG. 4 is a side view of a vehicle theme bed of FIG. 1.

The side of the bed not shown forms no part of the claimed design.

The broken lines are for environmental purposes only and form no part of the claimed design.

1 Claim, 4 Drawing Sheets



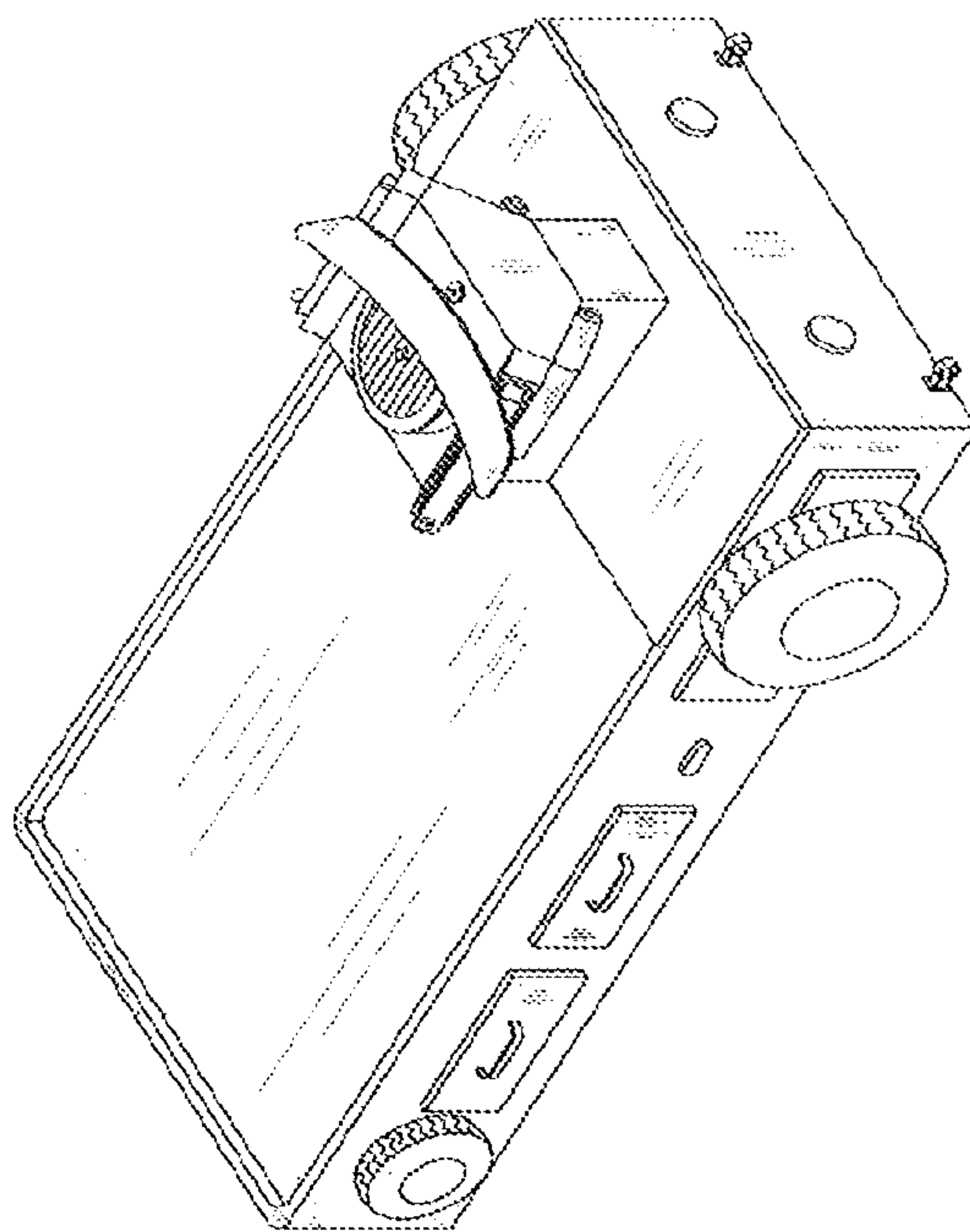


FIG. 1

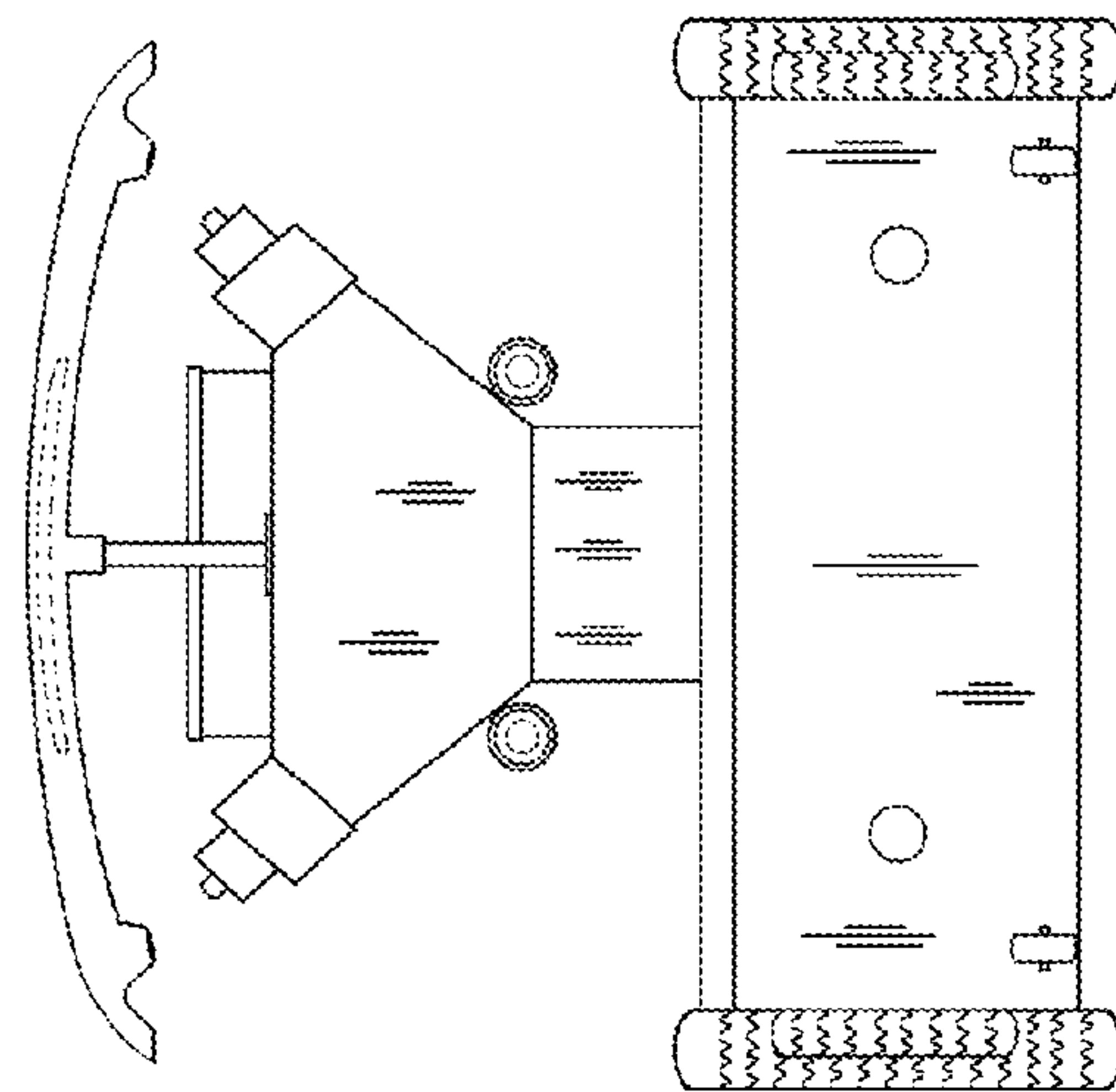


FIG. 2

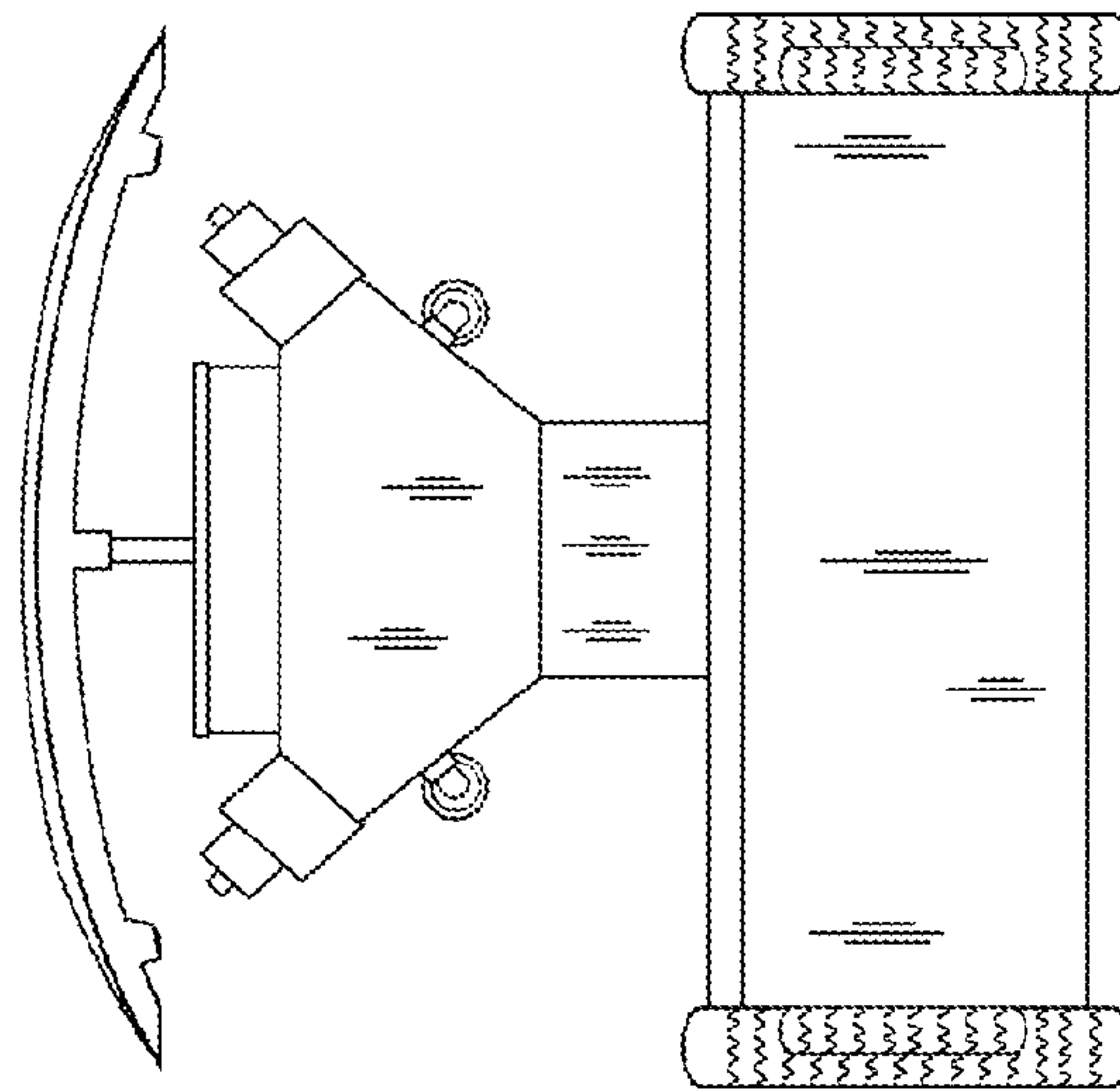


FIG. 3

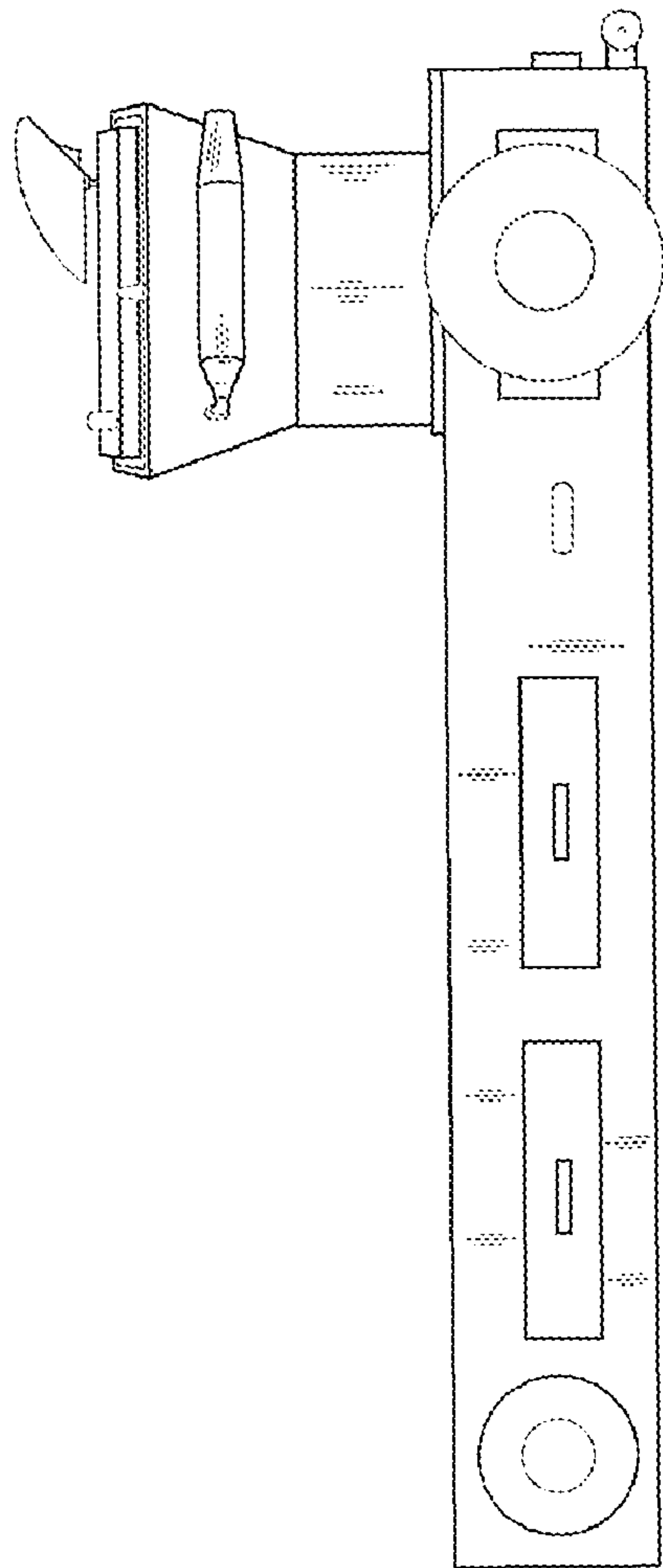


FIG. 4