



US00D627983S

(12) **United States Design Patent**
Wakasugi et al.

(10) **Patent No.:** **US D627,983 S**

(45) **Date of Patent:** **** Nov. 30, 2010**

(54) **CHAIR**

(75) Inventors: **Kouichi Wakasugi**, Tokyo (JP); **Satoru Yamazaki**, Tokyo (JP); **Yasuaki Chiba**, Tokyo (JP); **Motomi Kawakami**, Tokyo (JP)

(73) Assignee: **Kabushiki Kaisha Uchida Yoko**

(**) Term: **14 Years**

(21) Appl. No.: **29/347,239**

(22) Filed: **Nov. 9, 2009**

(51) **LOC (9) Cl.** **06-01**

(52) **U.S. Cl.** **D6/366**

(58) **Field of Classification Search** D6/334-336,
D6/364, 365, 366, 367, 369, 379, 380, 500-502;
297/411.27, 411.36, 452.29, 452.3, 452.46,
297/452.56, 452.64

See application file for complete search history.

(56) **References Cited**

U.S. PATENT DOCUMENTS

D456,159 S *	4/2002	Ball et al.	D6/366
D544,720 S *	6/2007	Berbegal Perez	D6/366
D559,572 S *	1/2008	Igarashi	D6/366
D563,686 S *	3/2008	Raftery et al.	D6/366

D572,948 S	7/2008	Wakasugi et al.	
D581,708 S *	12/2008	Su	D6/502
D600,462 S *	9/2009	Ooki et al.	D6/366
D616,213 S *	5/2010	Parker et al.	D6/366
D618,469 S *	6/2010	Romero	D6/366
2009/0127914 A1 *	5/2009	Igarashi et al.	297/452.46

* cited by examiner

Primary Examiner—Mimosa De

(74) *Attorney, Agent, or Firm*—Rader, Fishman & Grauer PLLC

(57) **CLAIM**

The ornamental design for a chair, as shown and described.

DESCRIPTION

FIG. 1 is a front elevational view of a chair showing our new design;

FIG. 2 is a rear elevational view thereof;

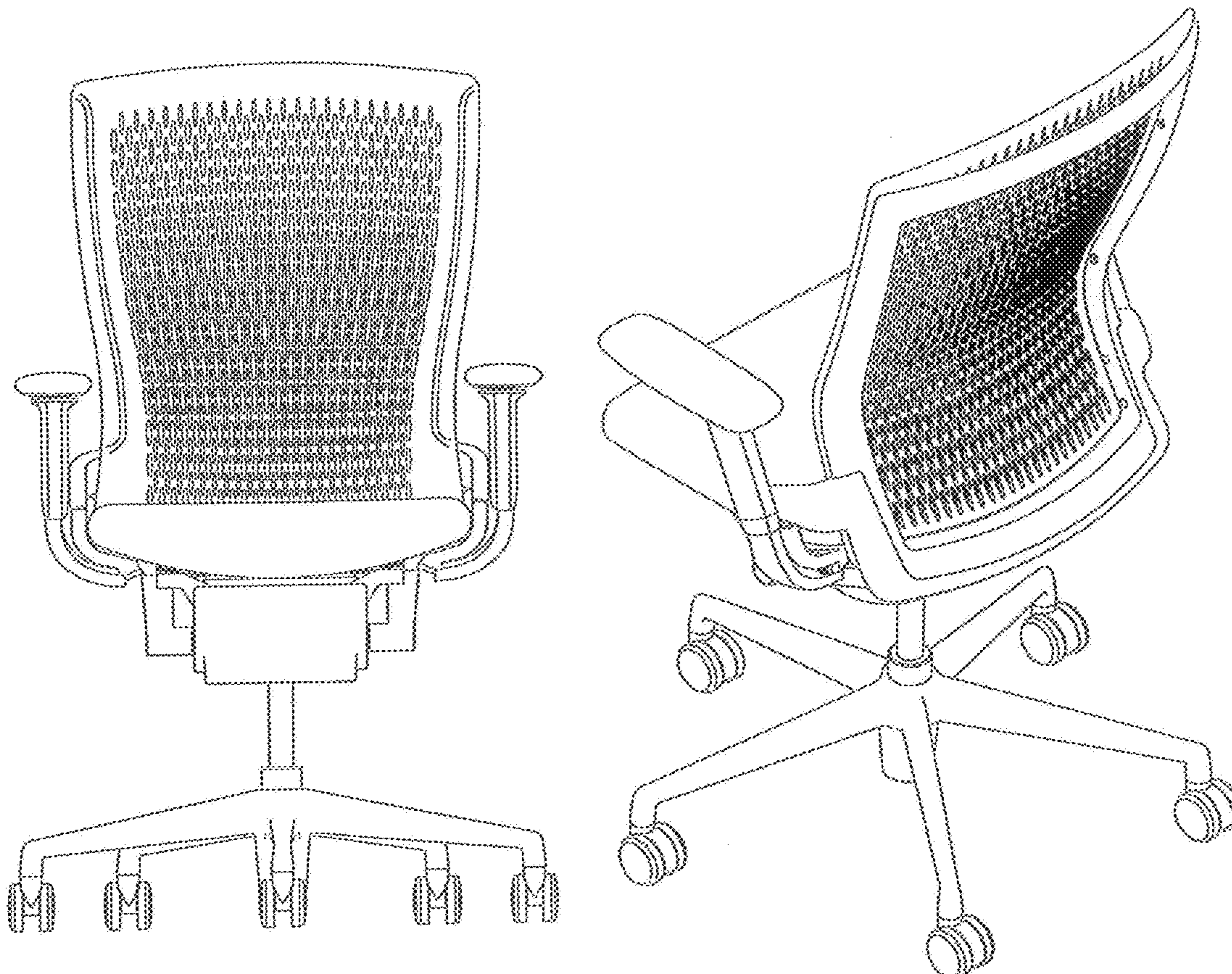
FIG. 3 is a top plan view thereof;

FIG. 4 is a bottom plan view thereof;

FIG. 5 is a right side elevational view thereof, a left side elevational view being a mirror image; and,

FIG. 6 is a perspective view thereof.

1 Claim, 6 Drawing Sheets



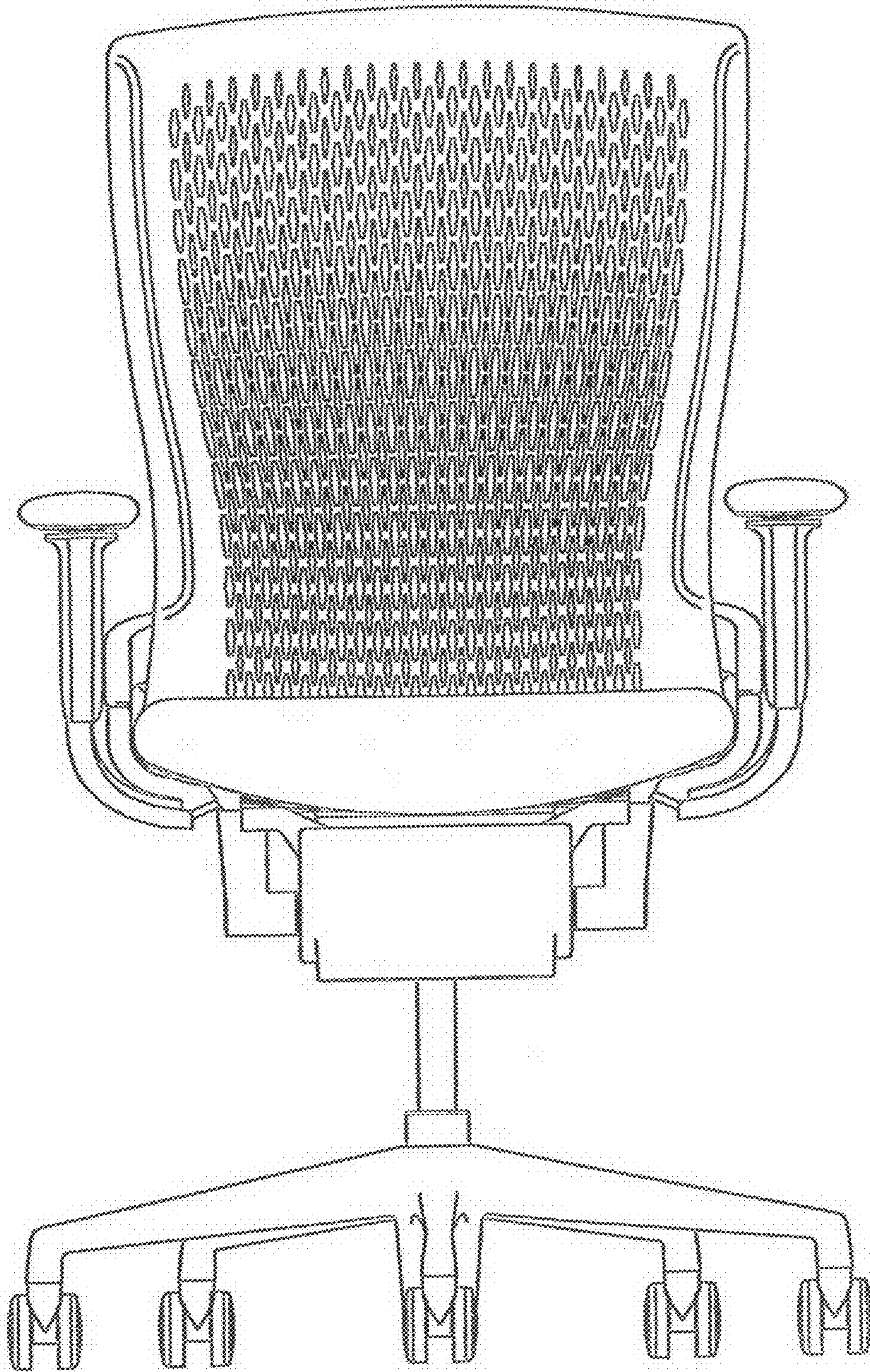


FIG. 1

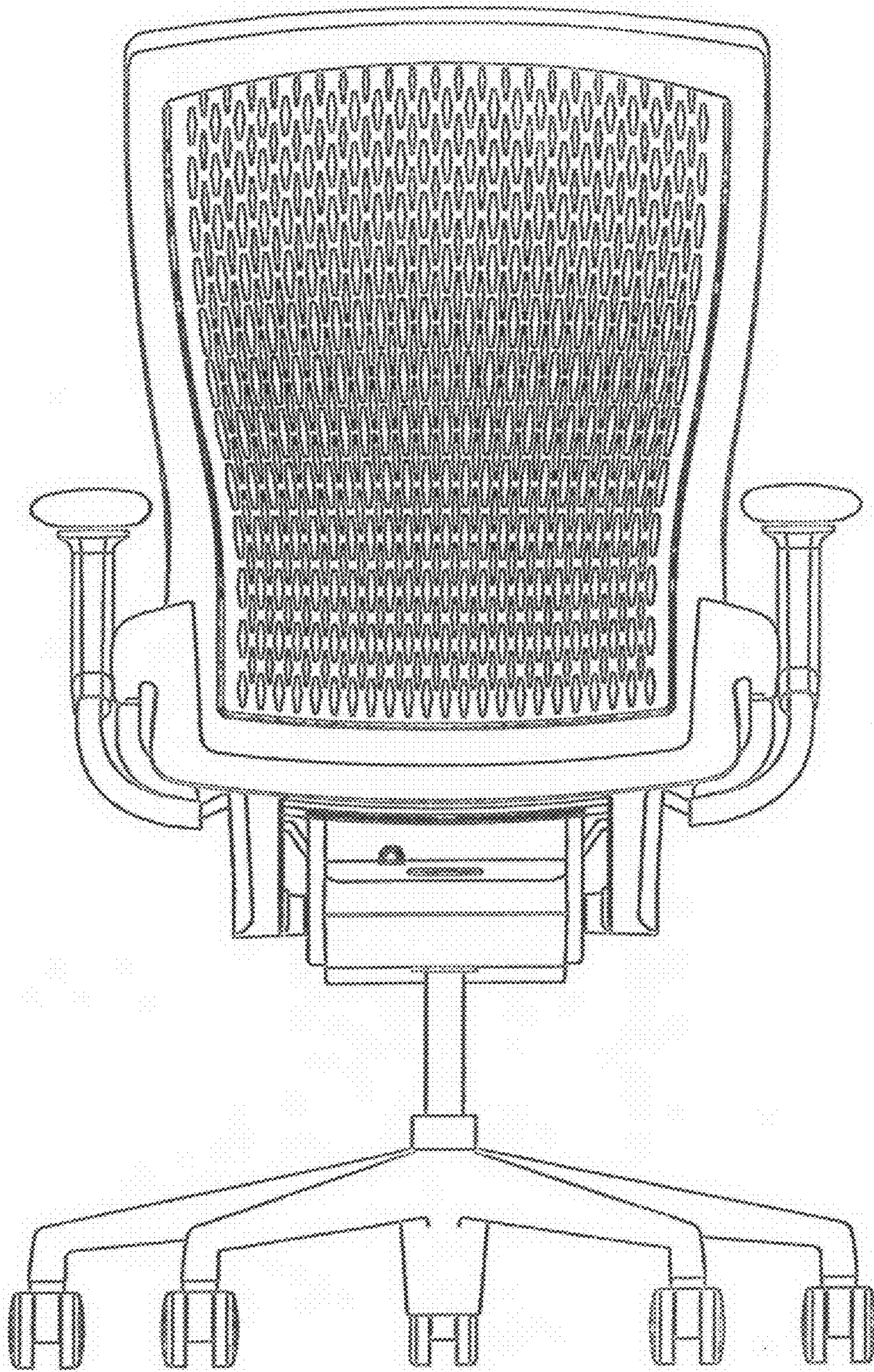


FIG. 2

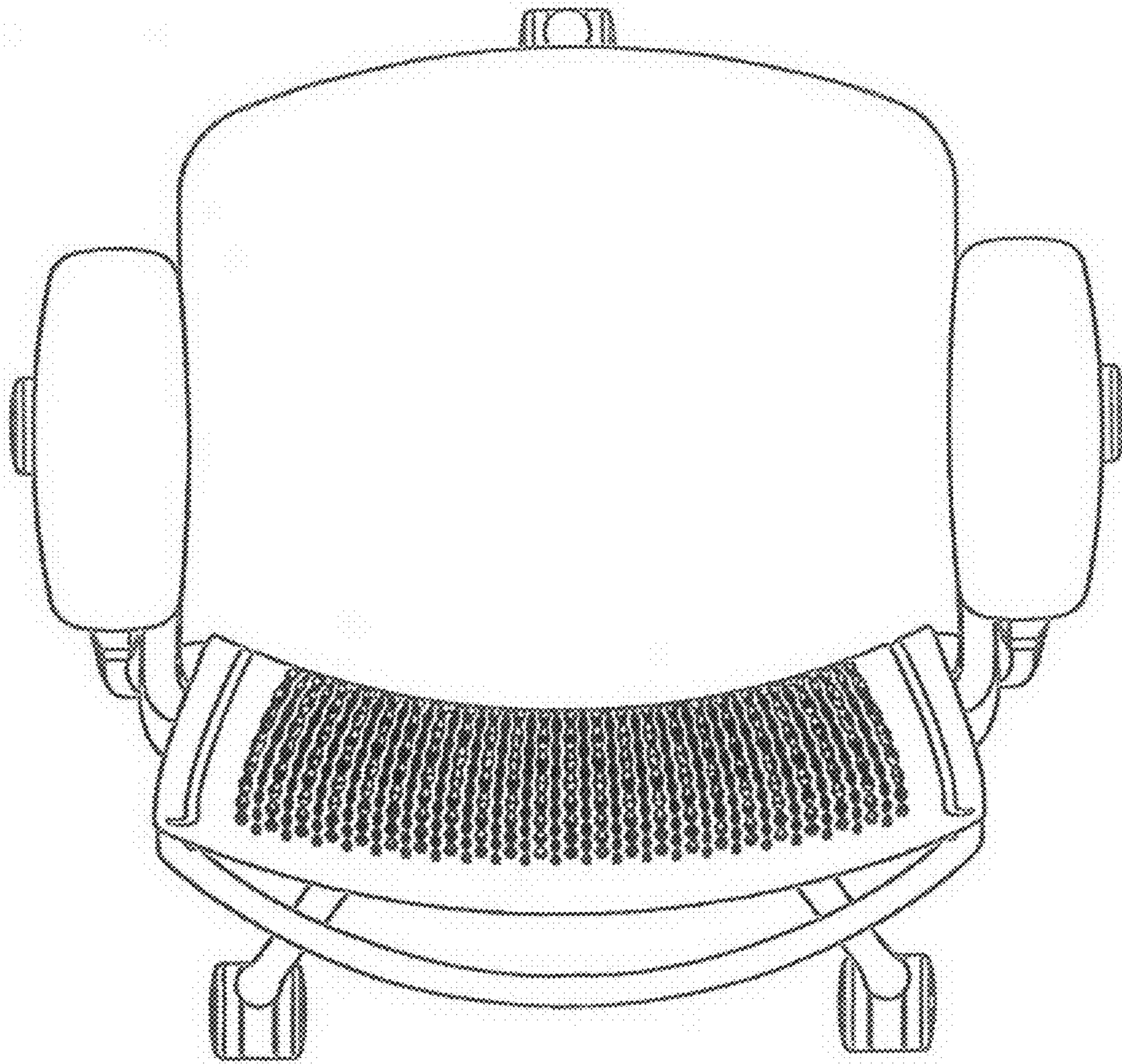


FIG. 3

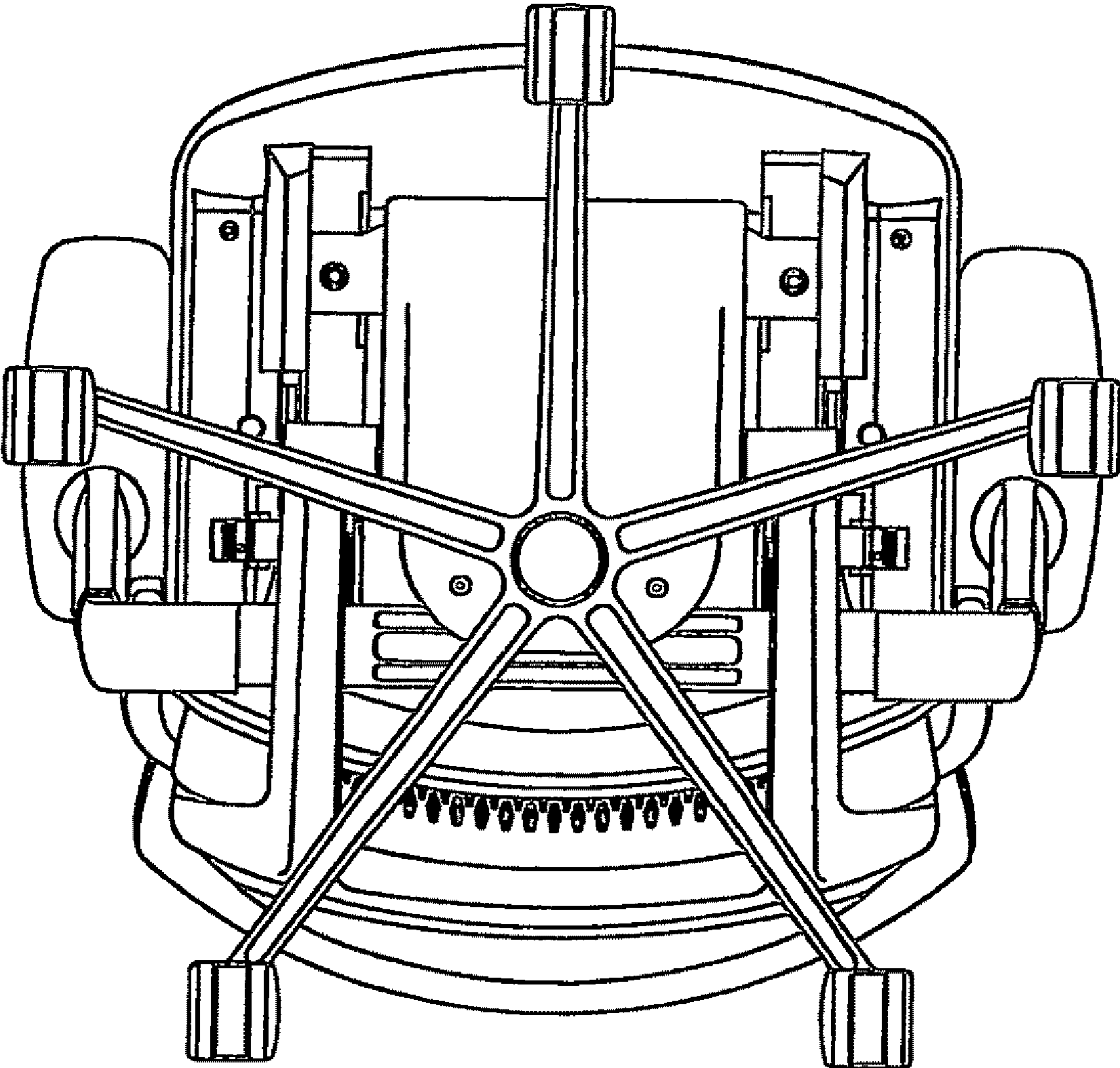


FIG. 4

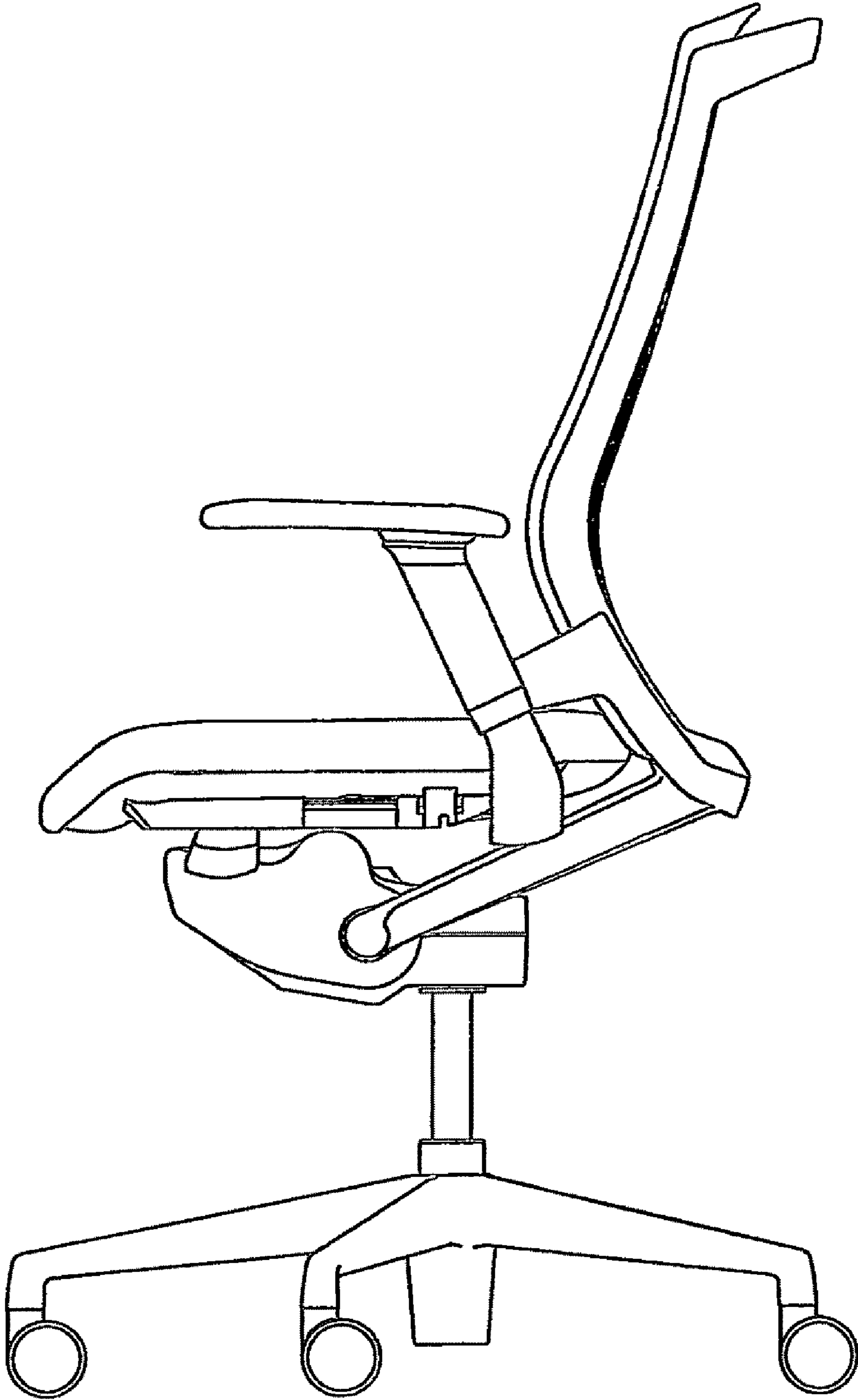


FIG. 5

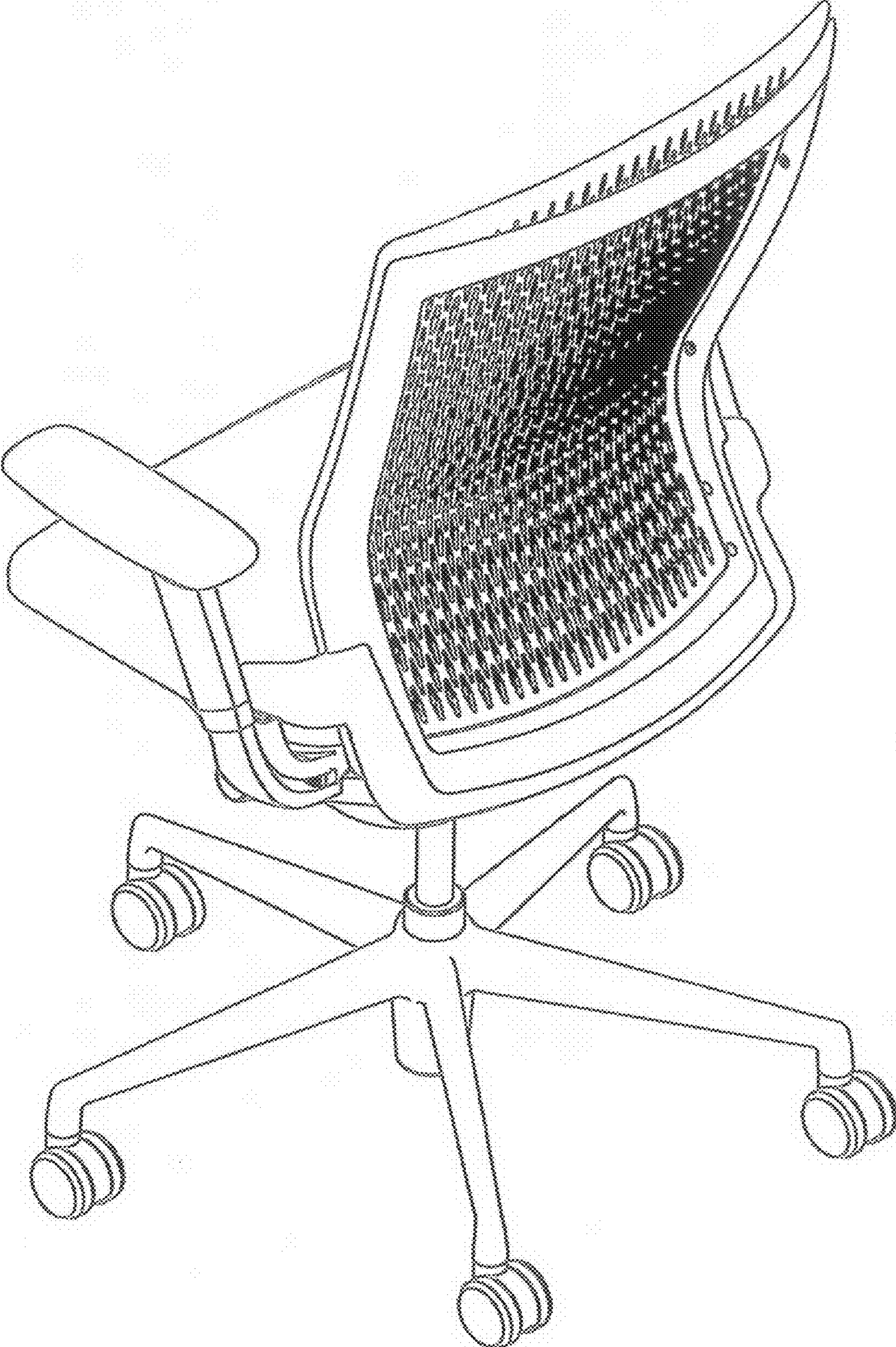


FIG. 6