



US00D627982S

(12) **United States Design Patent**  
**Shen**

(10) **Patent No.:** **US D627,982 S**

(45) **Date of Patent:** **\*\* Nov. 30, 2010**

(54) **STOOL SEAT**

(76) **Inventor:** **Ziming Shen**, 225 Howard Ave., Staten Island, NY (US) 10301

(\*\*) **Term:** **14 Years**

(21) **Appl. No.:** **29/349,146**

(22) **Filed:** **Mar. 11, 2010**

(51) **LOC (9) Cl.** ..... **06-01**

(52) **U.S. Cl.** ..... **D6/349**

(58) **Field of Classification Search** ..... D6/330,  
D6/335-338, 340, 349-355, 358, 359, 364,  
D6/366, 376, 491, 495, 500-502, 334, 381;  
297/16.1, 39, 46, 135, 140, 156, 158.3, 158.4,  
297/175, 177, 187, 195.1, 195.11, 211, 245,  
297/423.1, 423.16, 445.1, 461, 462

See application file for complete search history.

(56) **References Cited**

**U.S. PATENT DOCUMENTS**

D166,664 S *	5/1952	Godfrey	.....	D6/601
D219,458 S *	12/1970	Anderson	.....	D6/337
4,046,421 A *	9/1977	Spound et al.	.....	297/232
D248,697 S *	8/1978	Miller	.....	D6/349
D253,377 S *	11/1979	Spound et al.	.....	D6/352
D253,378 S *	11/1979	Spound et al.	.....	D6/349
D265,529 S *	7/1982	Mascheroni	.....	D6/352
D351,508 S *	10/1994	Bonazza	.....	D6/336
D389,659 S *	1/1998	Hummel	.....	D6/349
D415,359 S *	10/1999	Boyd	.....	D6/336

D421,535 S *	3/2000	Swensson et al.	.....	D6/486
D493,966 S *	8/2004	Rach	.....	D6/349
D503,580 S *	4/2005	Donoghue	.....	D6/601
D552,914 S *	10/2007	Boutin	.....	D6/601

\* cited by examiner

*Primary Examiner*—Sandra Snapp

(74) *Attorney, Agent, or Firm*—Alfred M. Walker; Xiaonan Wu

(57) **CLAIM**

The ornamental design for a stool seat, as shown and described.

**DESCRIPTION**

FIG. 1 is a rear right perspective view of the stool seat.

FIG. 2 is a Rear left perspective view thereof.

FIG. 3 is an Rear elevation view thereof.

FIG. 4 is a Front elevation view thereof.

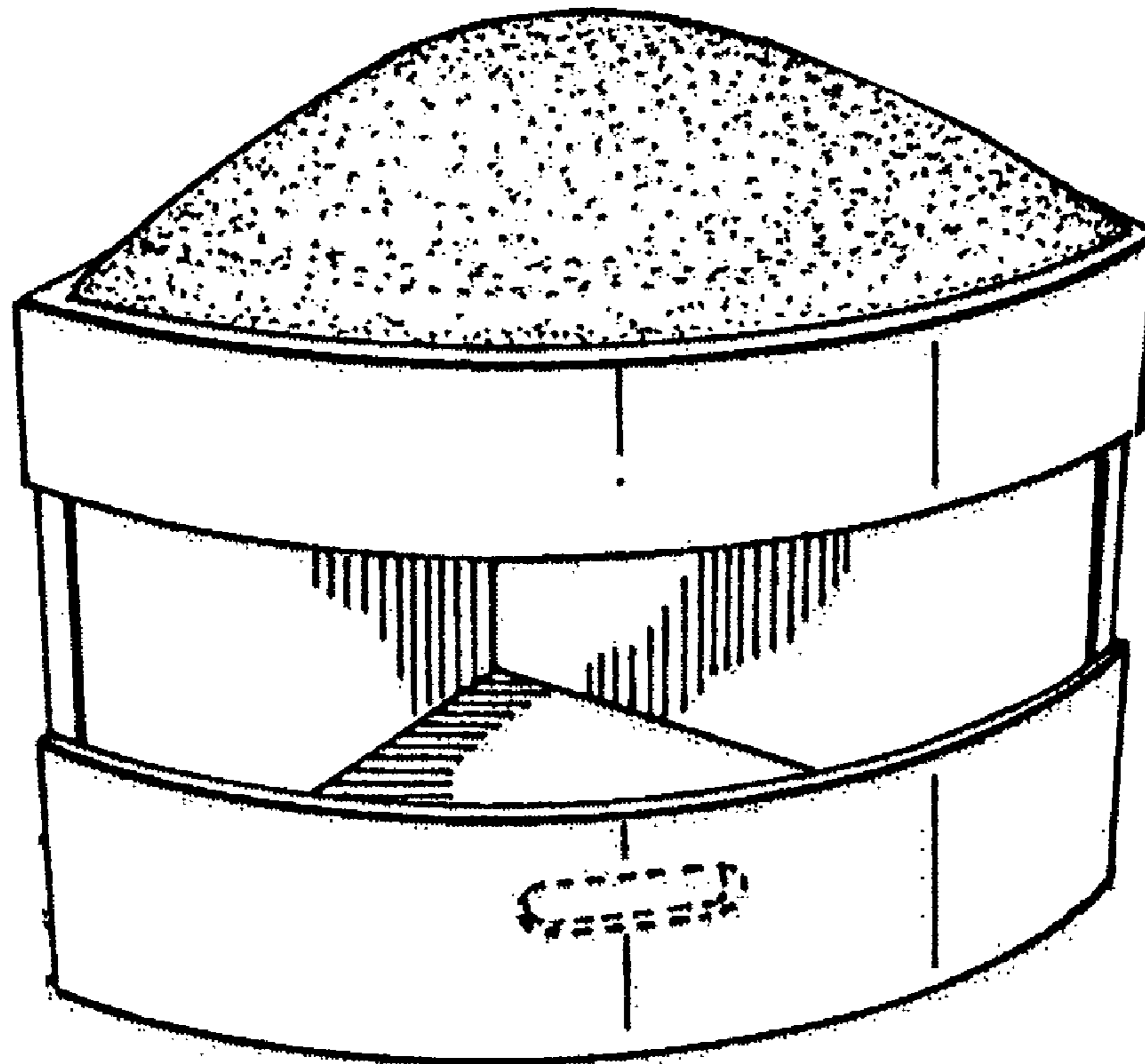
FIG. 5 is a Top plan view thereof.

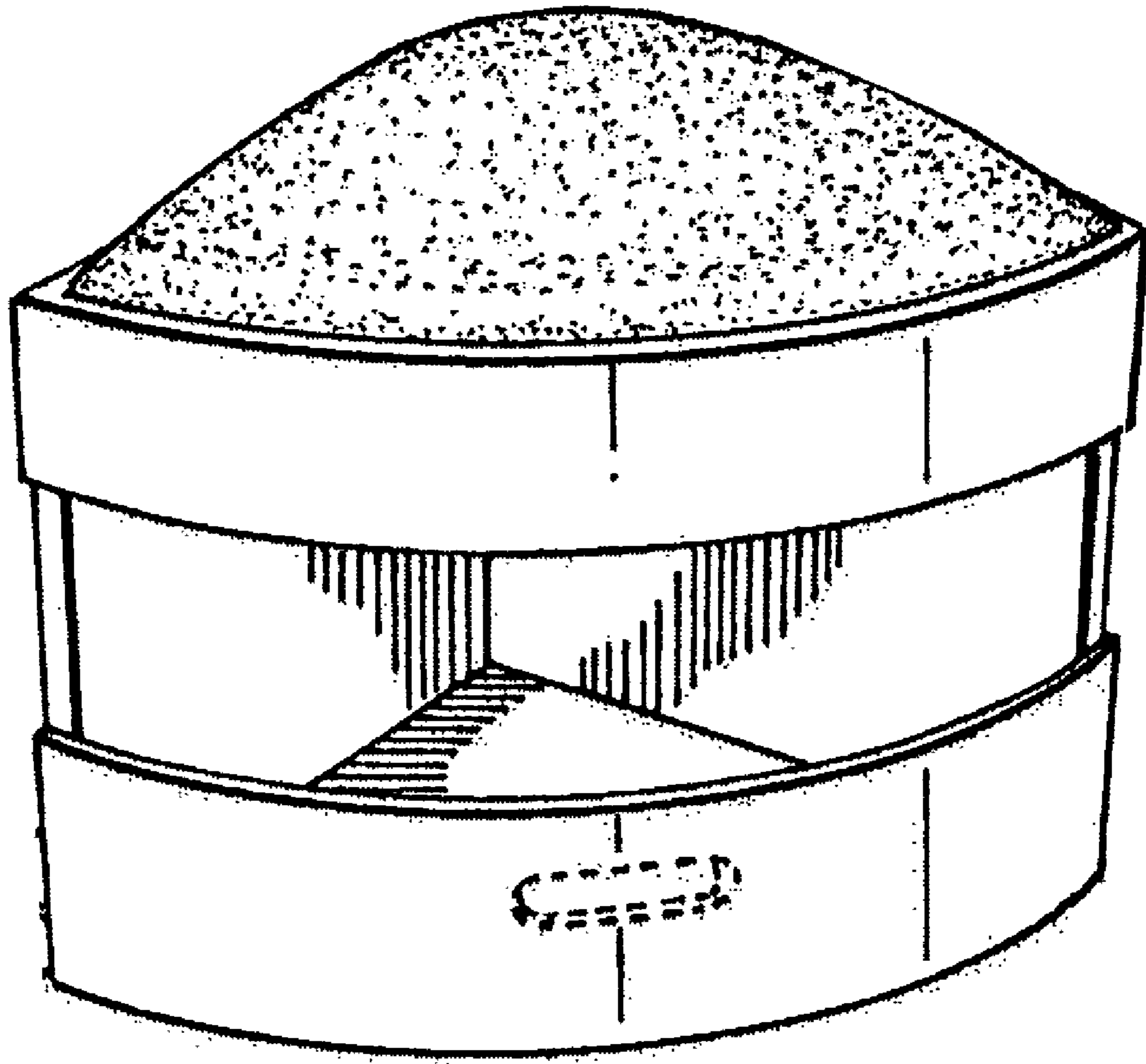
FIG. 6 is a Right side elevation view thereof (the left side elevation view being a mirror image thereof); and,

FIG. 7 is a Bottom view thereof.

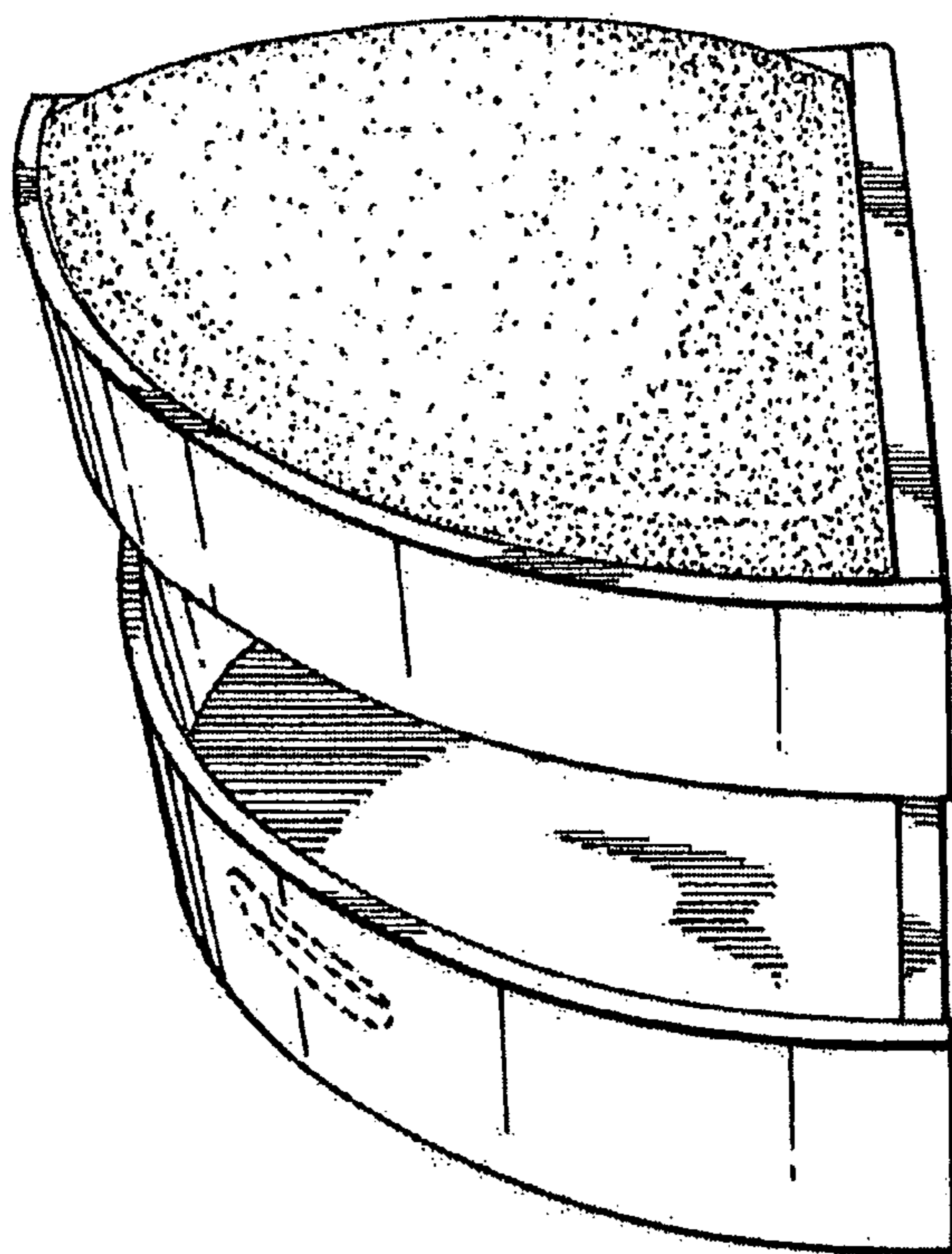
The slotted handles shown in phantom lines in the rear of the stool and elements shown in phantom lines on the front of the stool are shown for environmental purposes only, and form no part of the claimed design.

**1 Claim, 4 Drawing Sheets**

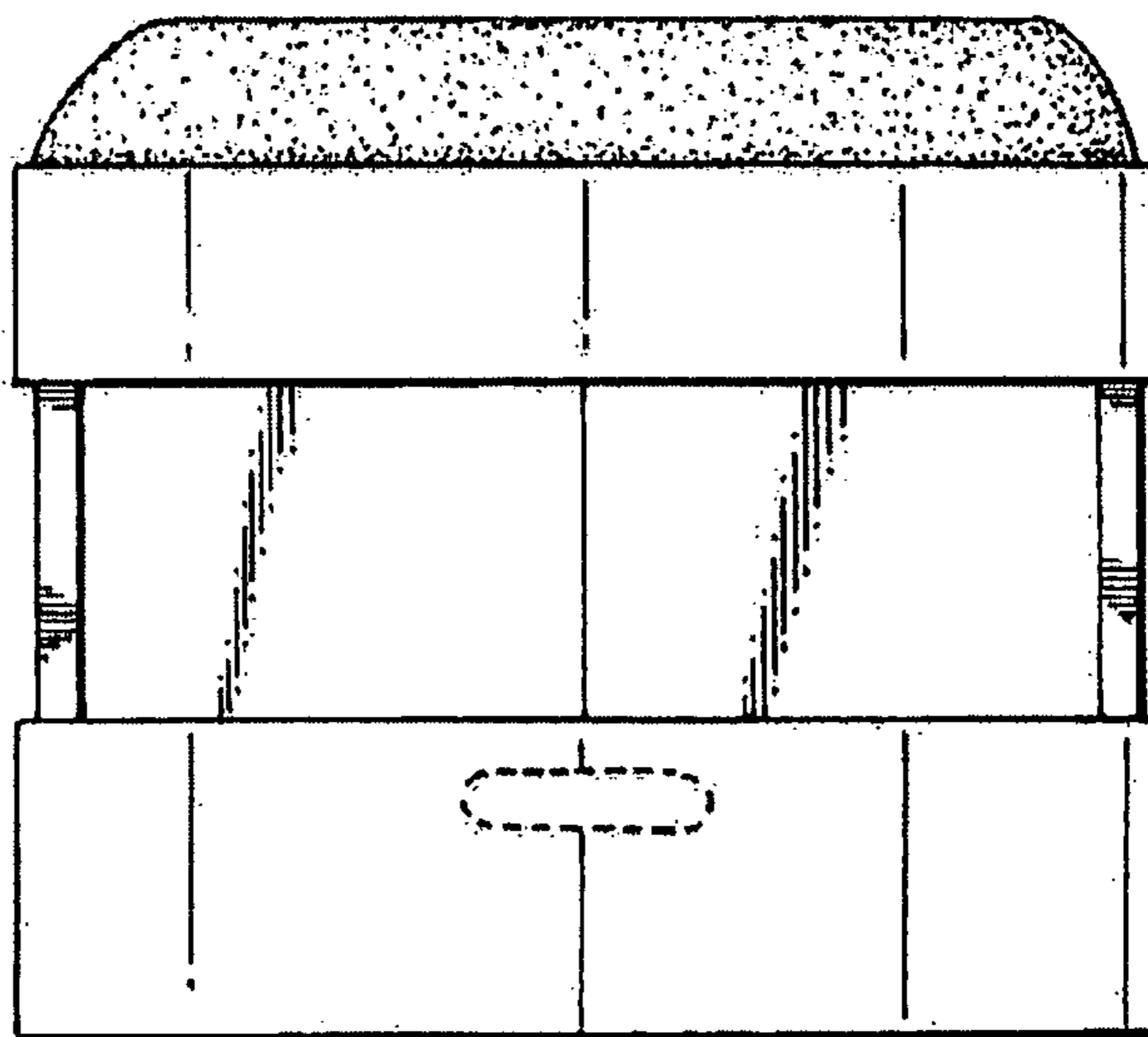




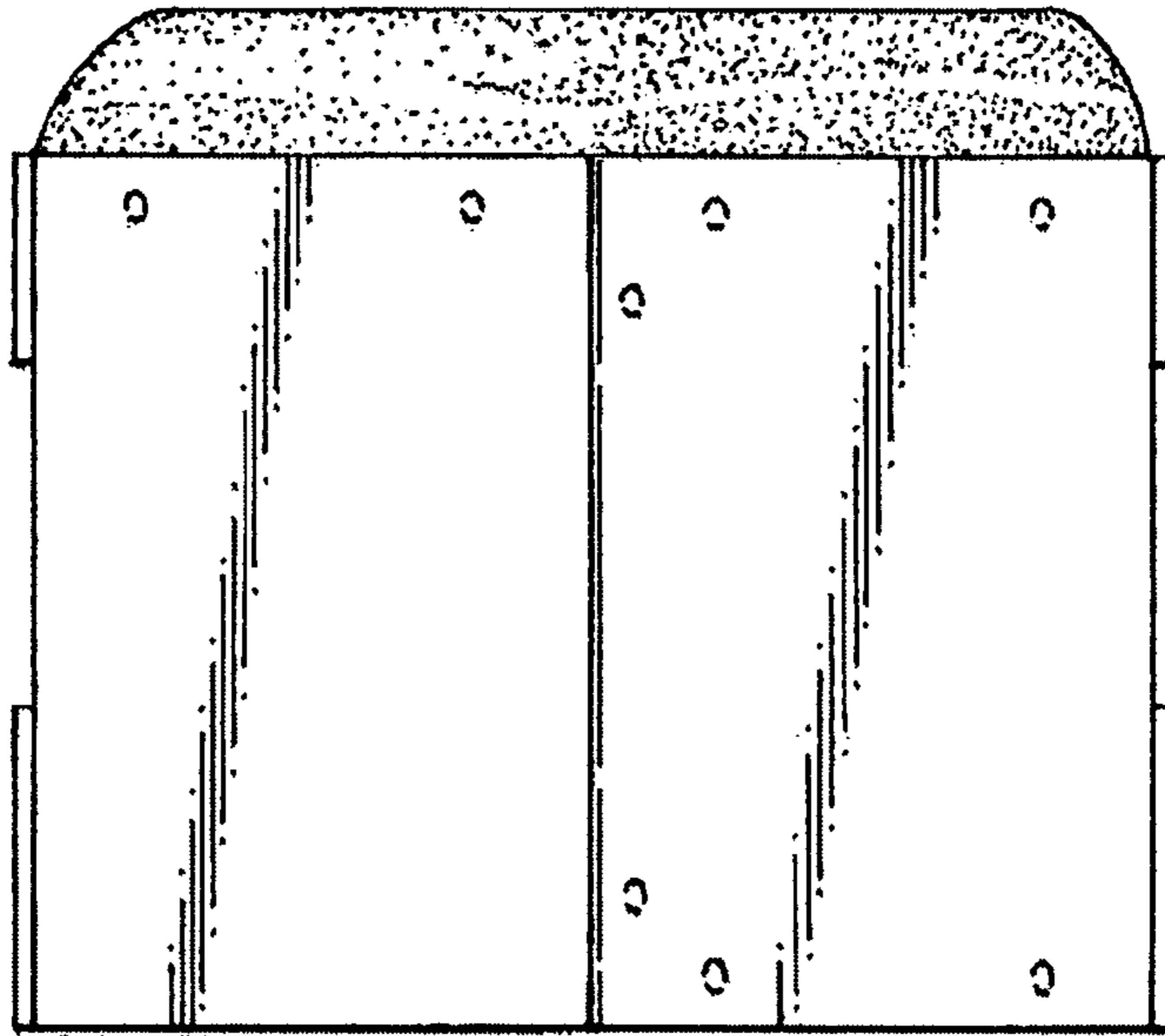
***Fig. 1***



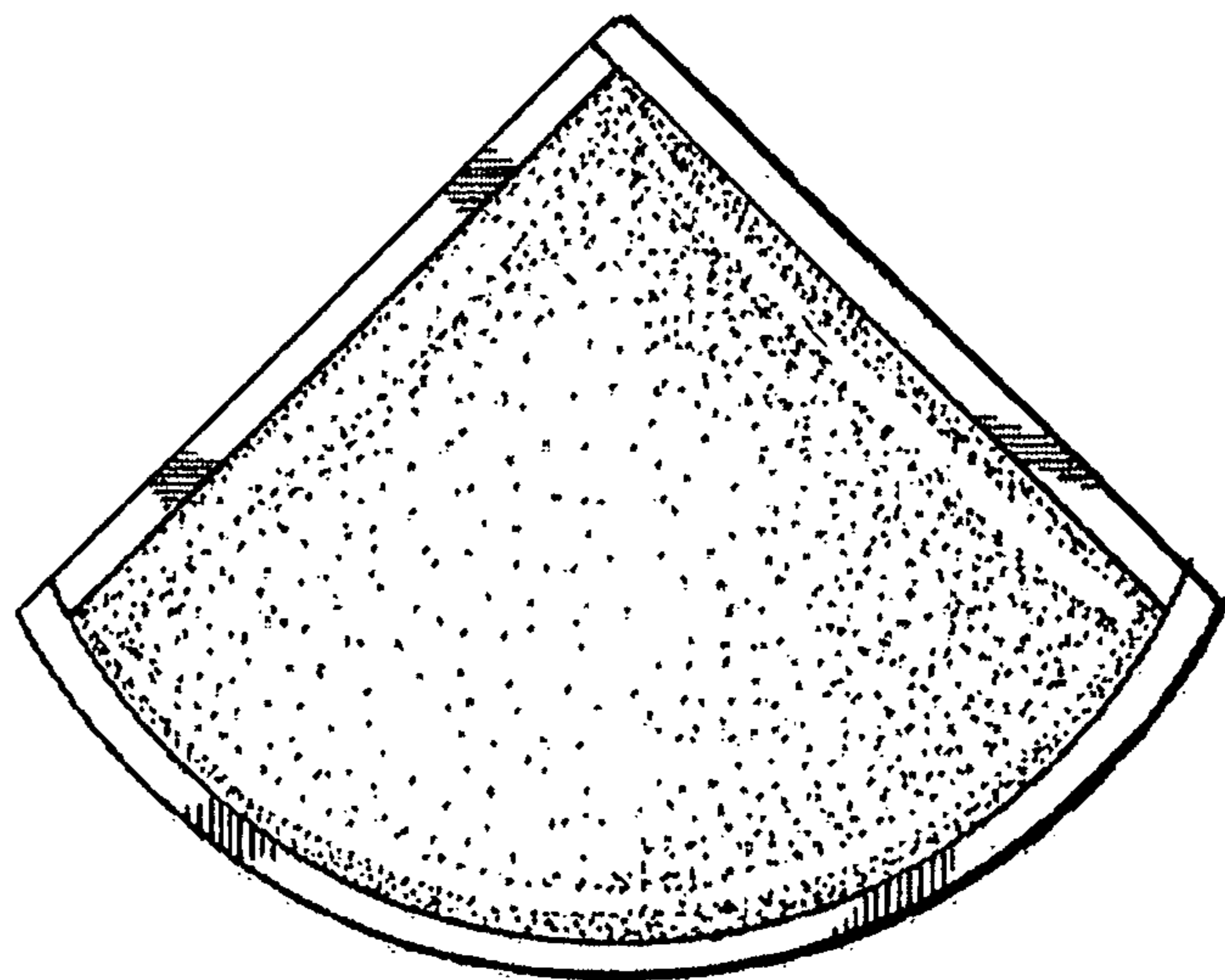
**Fig. 2**



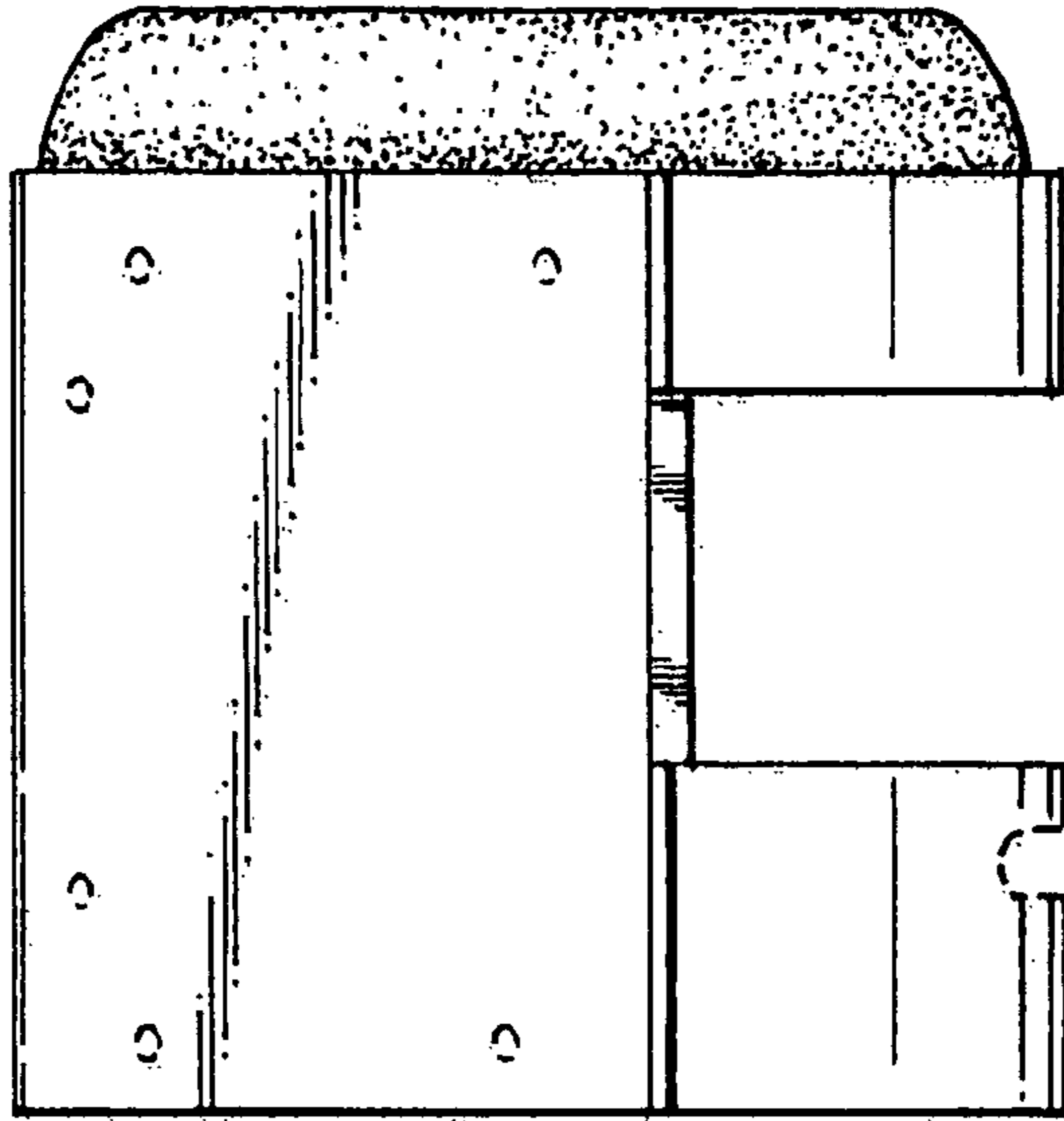
**Fig. 3**



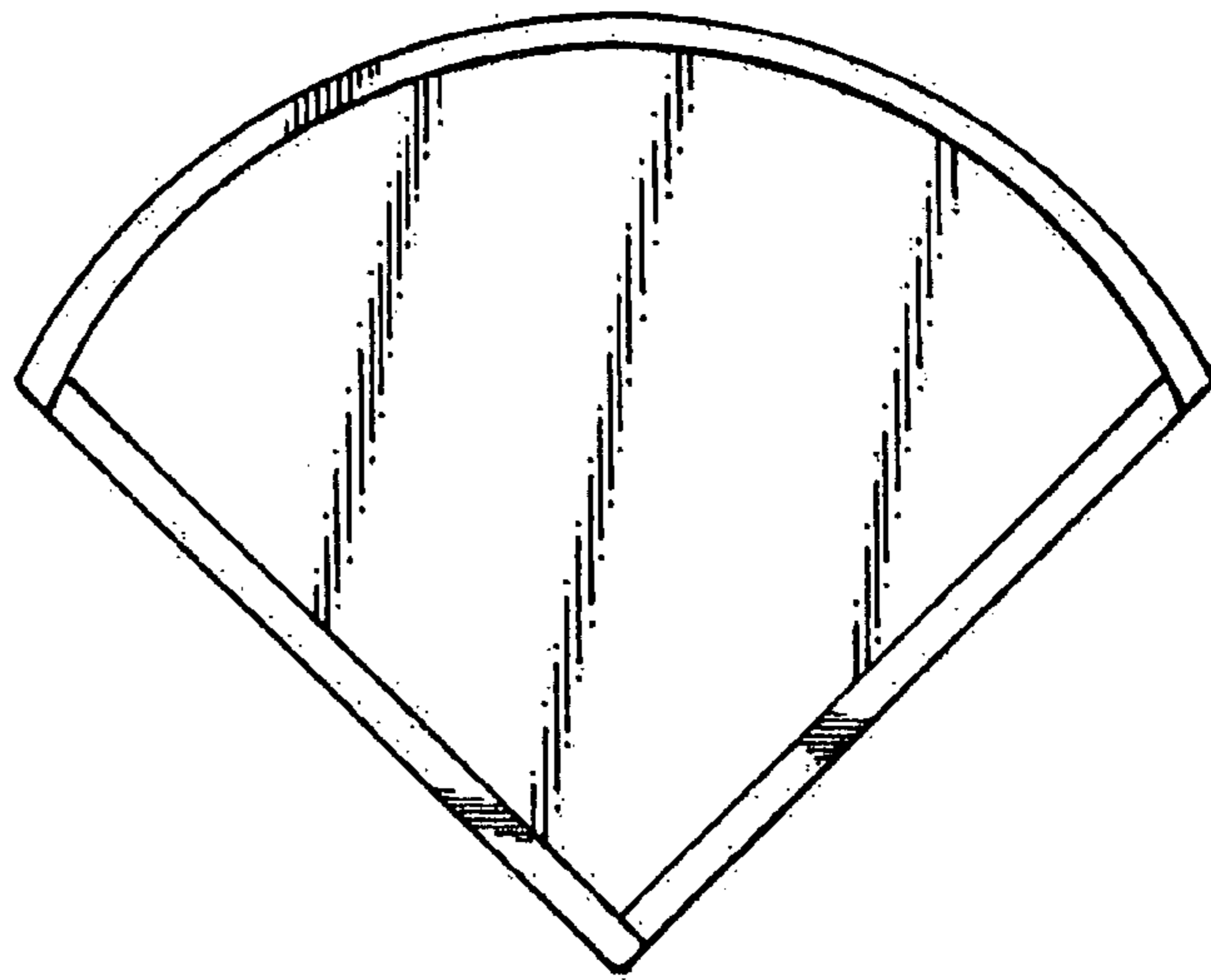
**Fig. 4**



**Fig. 5**



**Fig. 6**



**Fig. 7**