



US00D627980S

(12) **United States Design Patent**  
**Chan**

(10) **Patent No.:** **US D627,980 S**

(45) **Date of Patent:** **\*\* Nov. 30, 2010**

(54) **GARMENT HANGER HOOK**

(75) Inventor: **King Keung Kennedy Chan**, Hong Kong (HK)

(73) Assignee: **Uniplast Industries, Inc.**, Hasbrouck Heights, NJ (US)

(\*\*) Term: **14 Years**

(21) Appl. No.: **29/356,110**

(22) Filed: **Feb. 19, 2010**

(51) **LOC (9) Cl.** ..... **06-08**

(52) **U.S. Cl.** ..... **D6/328**

(58) **Field of Classification Search** ..... D6/315,  
D6/328; 223/85-98; 211/1, 13.1, 85.3, 113;  
40/322

See application file for complete search history.

(56) **References Cited**

U.S. PATENT DOCUMENTS

5,388,354	A *	2/1995	Marshall et al.	40/322
5,628,132	A *	5/1997	Marshall et al.	40/322
5,794,363	A *	8/1998	Marshall et al.	40/322
5,884,422	A *	3/1999	Marshall et al.	40/322
6,726,067	B2 *	4/2004	Louw	223/85
6,865,832	B1 *	3/2005	Goldman	40/322
D506,078	S *	6/2005	Leung et al.	D6/328

D509,073	S *	9/2005	Leung et al.	D6/328
D579,215	S *	10/2008	Gandur et al.	D6/328
D605,417	S *	12/2009	Warren et al.	D6/328
2002/0184799	A1 *	12/2002	Chou	40/322
2003/0173381	A1 *	9/2003	Louw	223/85
2006/0049222	A1 *	3/2006	Pluchino et al.	223/85

\* cited by examiner

*Primary Examiner*—Shanda C Hill

(74) *Attorney, Agent, or Firm*—Leason Ellis LLP

(57) **CLAIM**

The ornamental design for a garment hanger hook, as shown and described.

**DESCRIPTION**

FIG. 1 is a front and side perspective view of a garment hanger hook showing my new design;

FIG. 2 is a top plan view thereof;

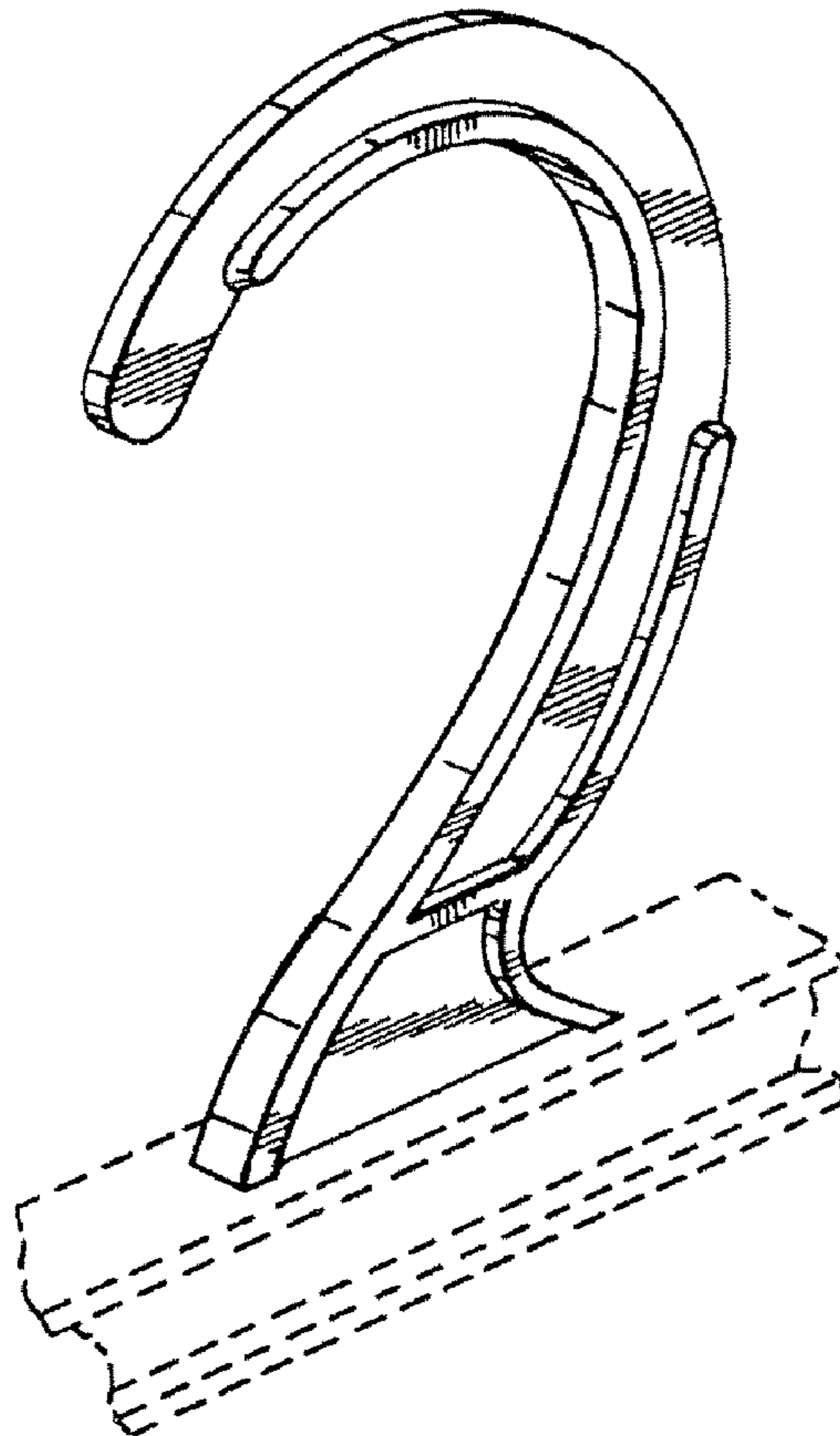
FIG. 3 is a left side elevation thereof;

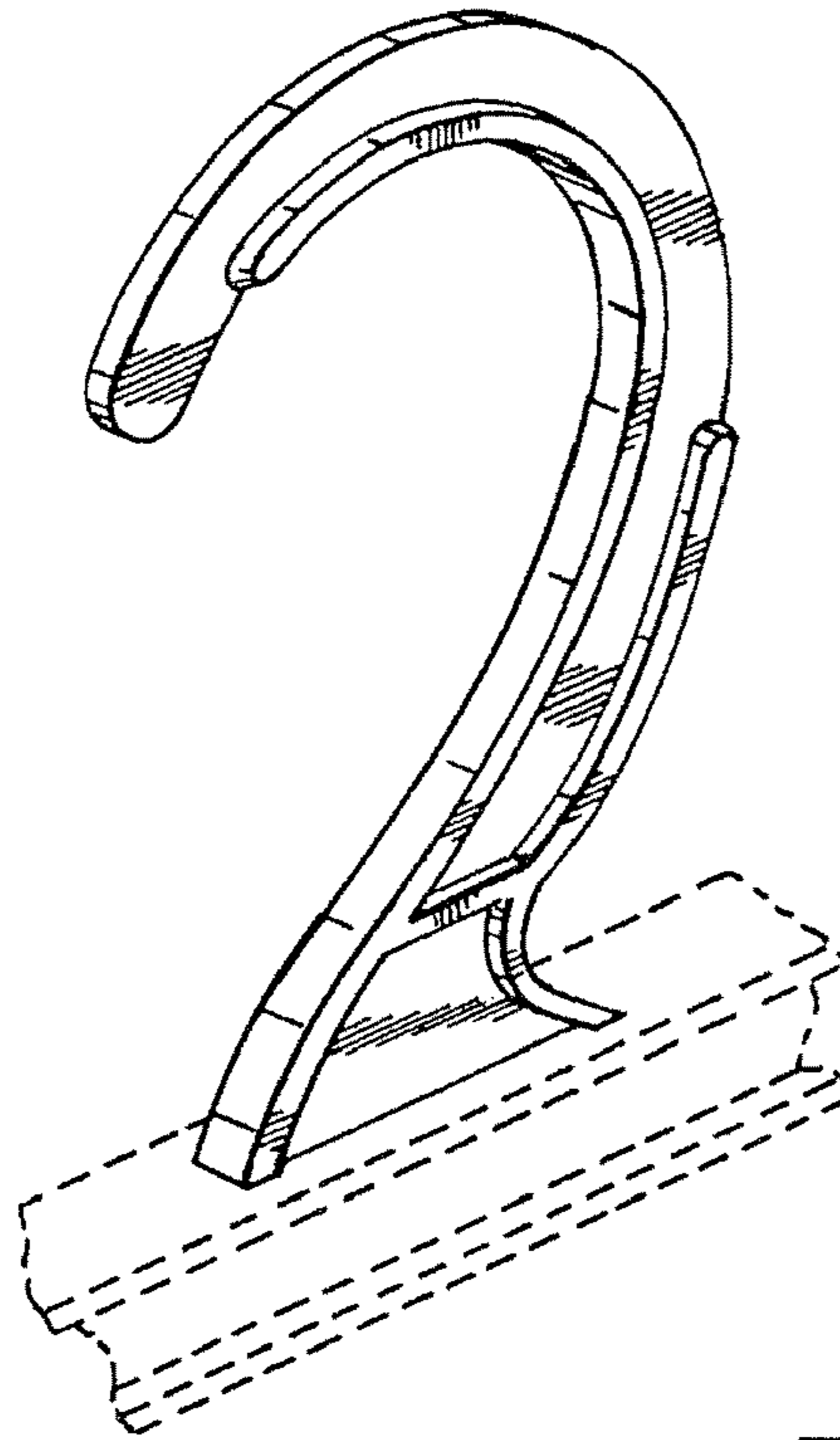
FIG. 4 is a front elevation view thereof; and,

FIG. 5 is a right side elevation view thereof.

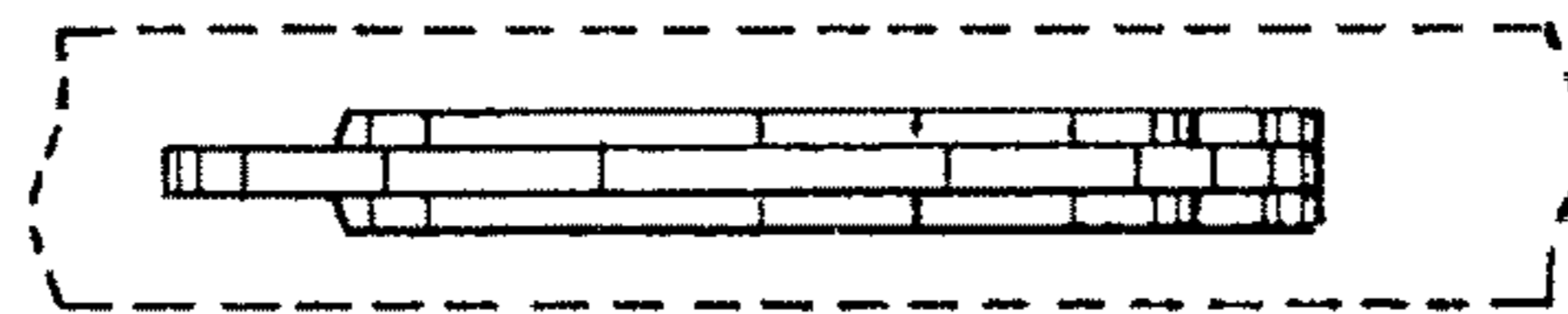
The broken line showing a cross bar construction of the garment hanger is for illustrative purposes only and forms no part of the claimed design.

**1 Claim, 1 Drawing Sheet**

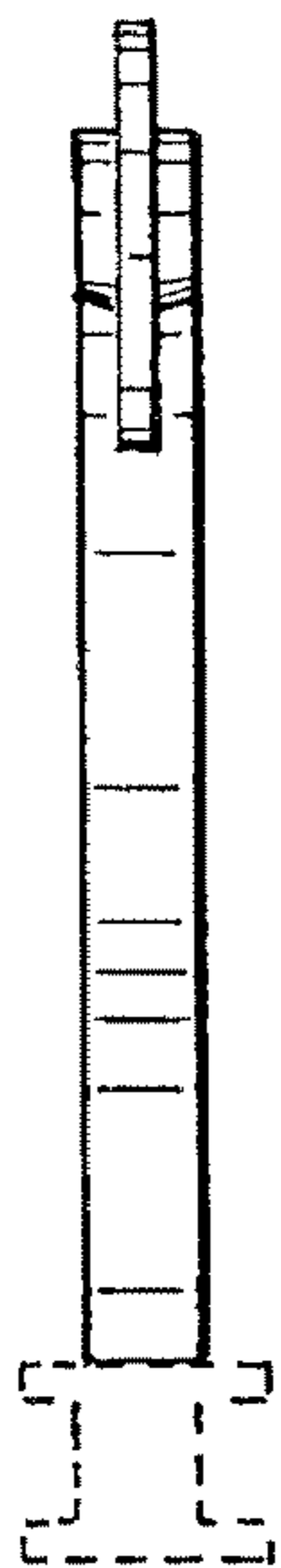




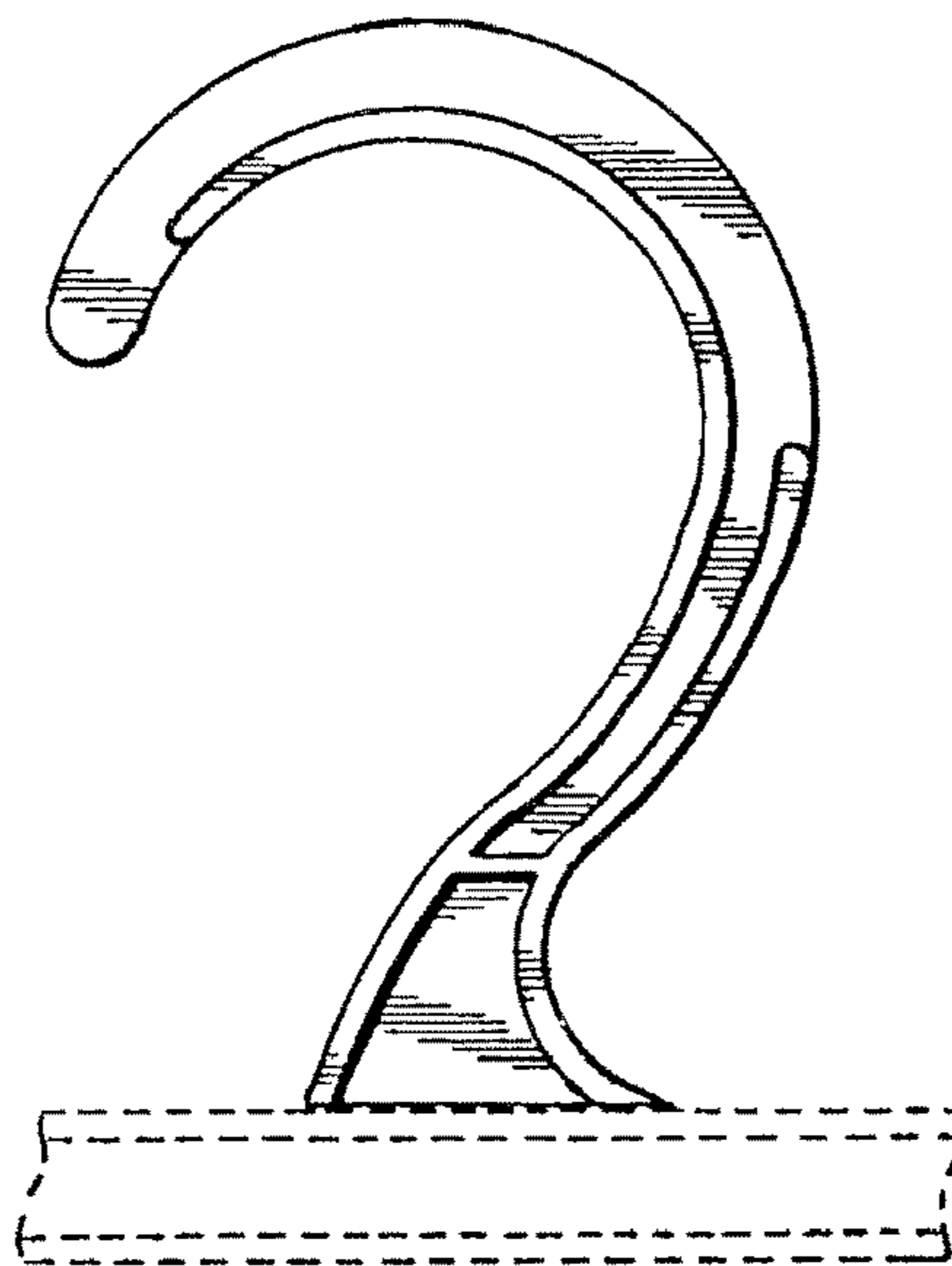
**Fig. 1**



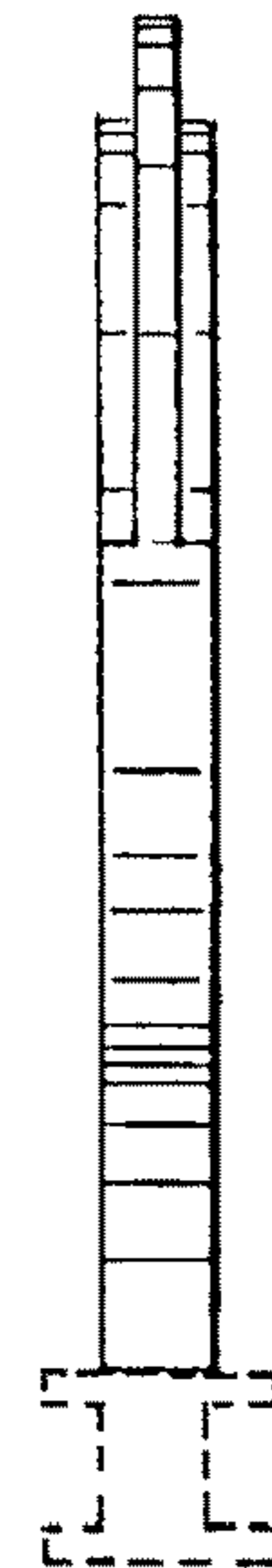
**Fig. 2**



**Fig. 3**



**Fig. 4**



**Fig. 5**