



US00D627977S

(12) **United States Design Patent**
Magallanes Orozco

(10) **Patent No.:** **US D627,977 S**
(45) **Date of Patent:** **** Nov. 30, 2010**

(54) **HAIR BRUSH HANDLE**

(75) Inventor: **Jaqueline Magallanes Orozco**, El Paso,
TX (US)

(73) Assignee: **Helen of Troy Limited**, St. Michael
(BB)

(**) Term: **14 Years**

(21) Appl. No.: **29/357,247**

(22) Filed: **Mar. 9, 2010**

(51) **LOC (9) Cl.** **14-02**

(52) **U.S. Cl.** **D4/138**

(58) **Field of Classification Search** D4/127,
D4/132-134, 136, 138; D7/393, 395, 401.2;
D8/107, DIG. 4, DIG. 7, DIG. 8; 15/143.1,
15/145, 159.1, 160, 176.1, 186-188; 16/110.1,
16/430, DIG. 12, DIG. 19; 81/177.1, 489,
81/492

See application file for complete search history.

(56) **References Cited**

U.S. PATENT DOCUMENTS

3,968,536 A * 7/1976 Leighton et al. 15/187
4,519,110 A * 5/1985 Rubin 15/159.1

D417,083 S * 11/1999 Yun D4/138
D431,723 S * 10/2000 Kim D4/138
6,131,228 A * 10/2000 Chen et al. 15/22.1
D436,232 S * 1/2001 Denham et al. D28/76
D468,909 S * 1/2003 Libman et al. D4/138

* cited by examiner

Primary Examiner—Cathron C Brooks

Assistant Examiner—Barbara Fox

(57) **CLAIM**

The ornamental design for a hair brush handle, as shown, and described.

DESCRIPTION

FIG. 1 is a front view of a hair brush handle showing the new design;

FIG. 2 is a side view of the hair brush handle;

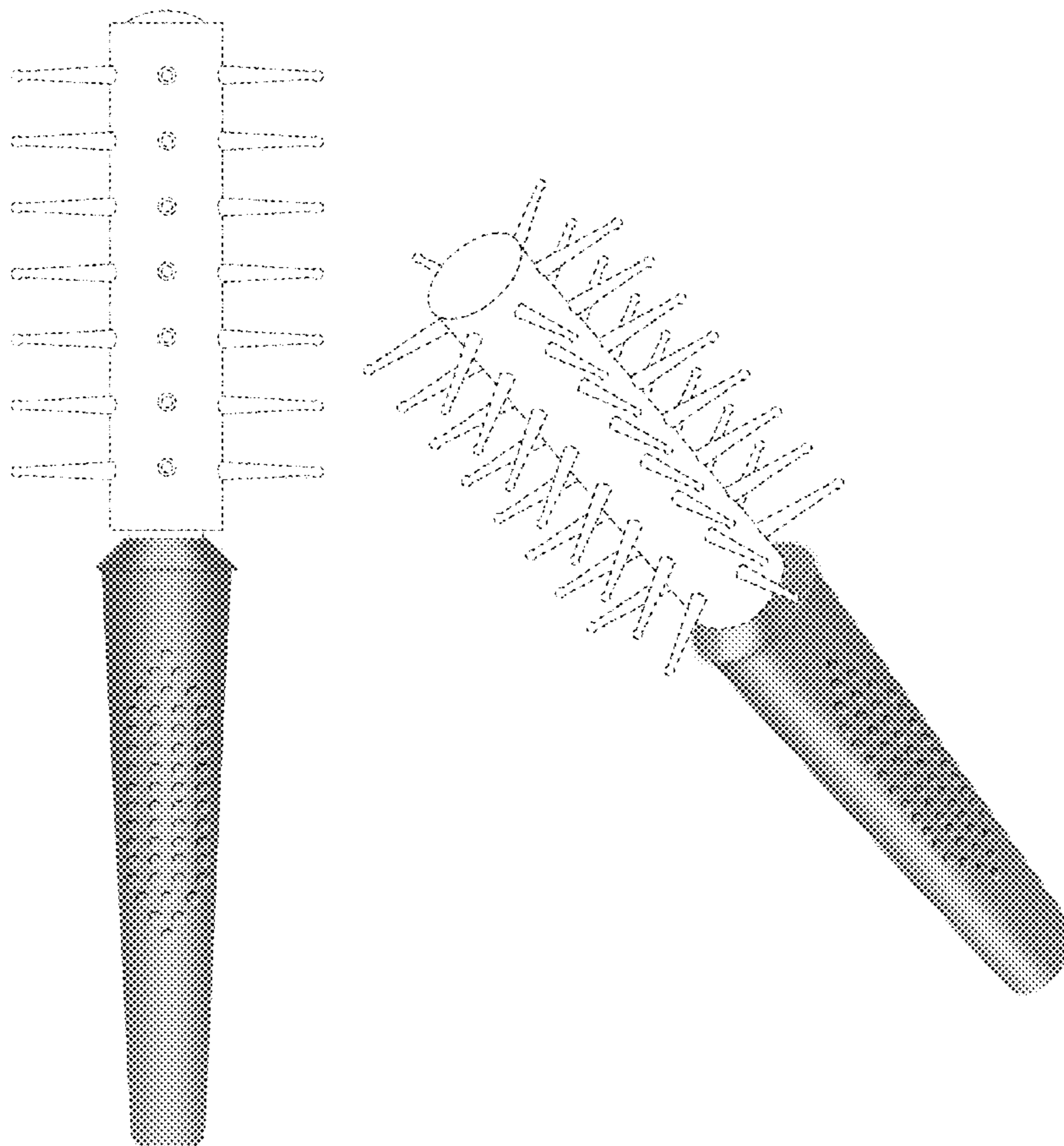
FIG. 3 is a top view of the hair brush handle (unclaimed portion);

FIG. 4 is a bottom view of the hair brush handle; and,

FIG. 5 is a perspective view of the hair brush handle.

The broken lines in the drawings illustrate environmental structure and form no part of the claimed design.

1 Claim, 5 Drawing Sheets



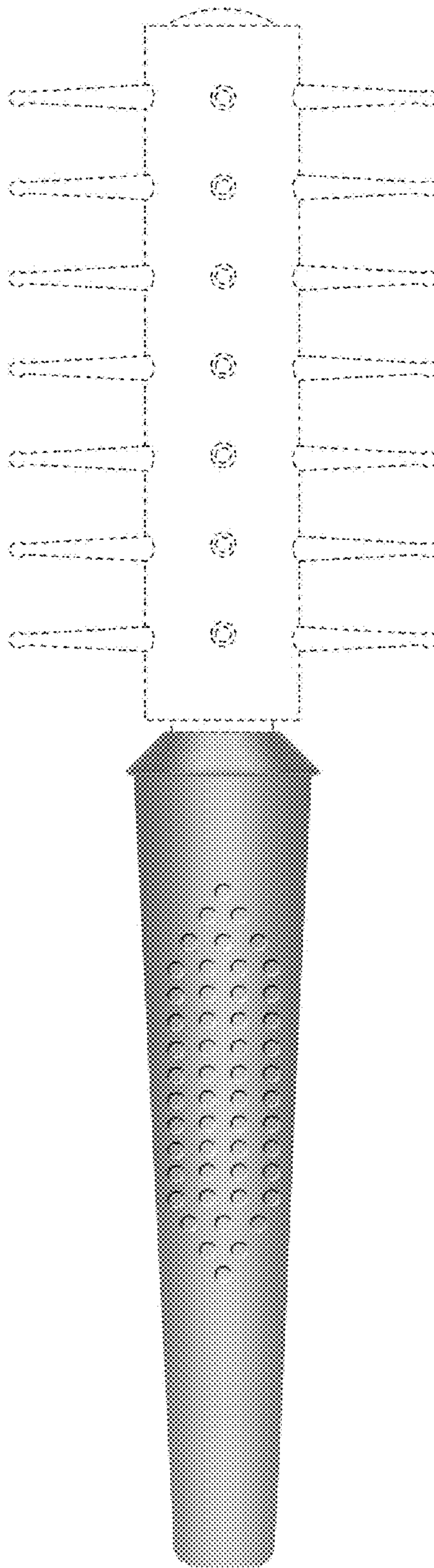


Figure 1

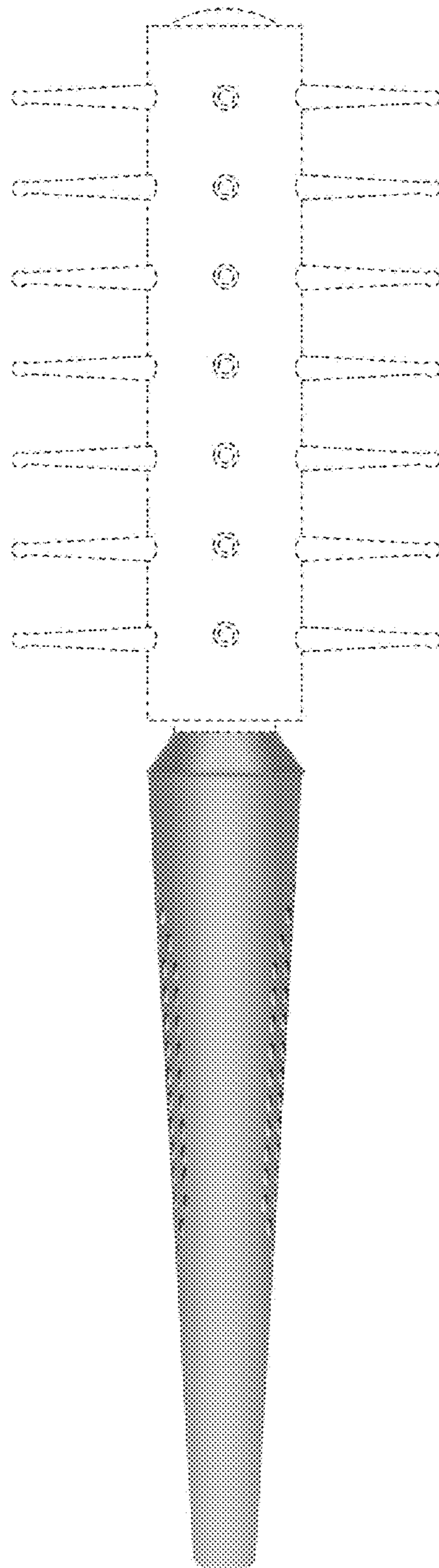


Figure 2

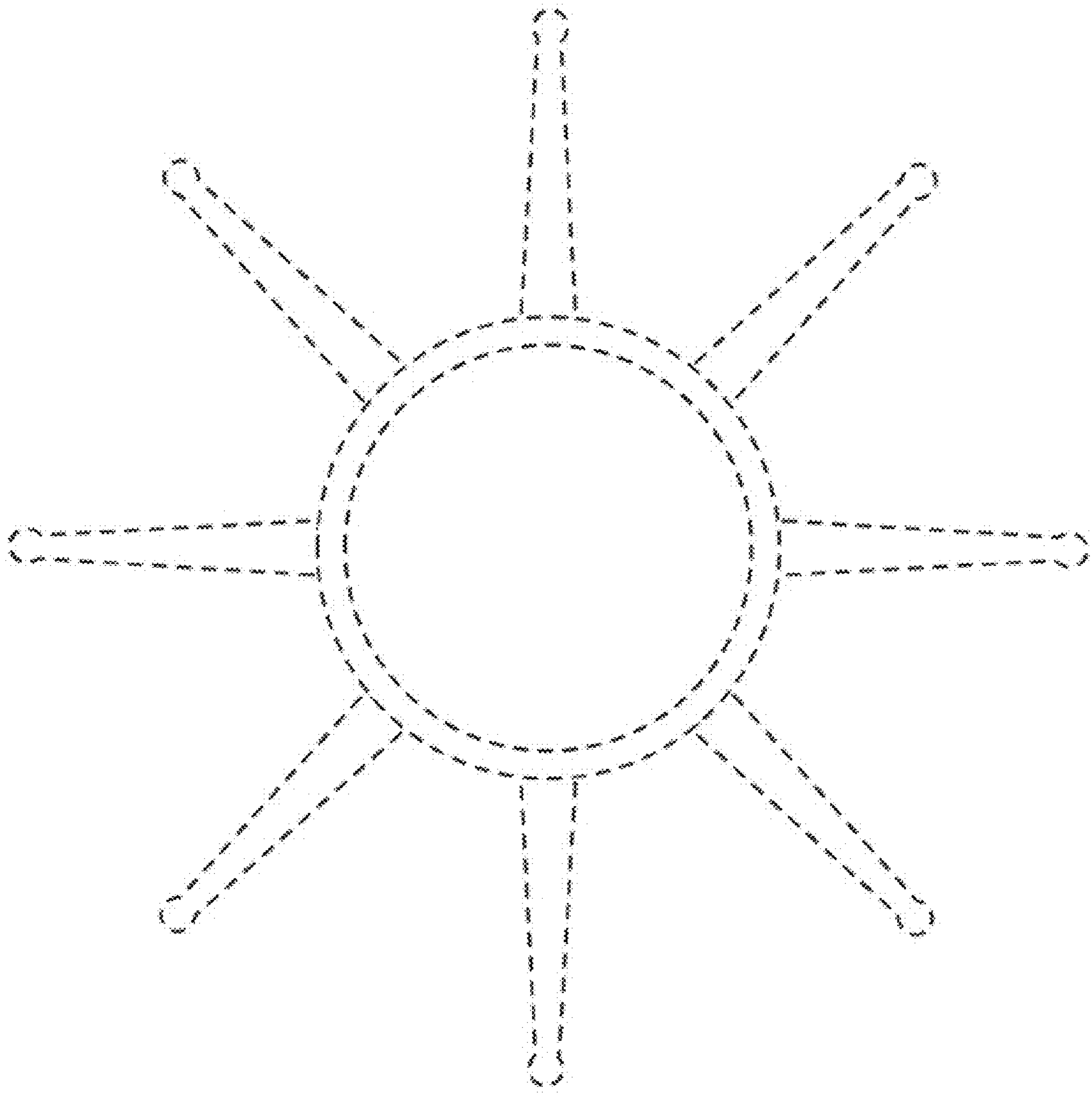


Figure 3

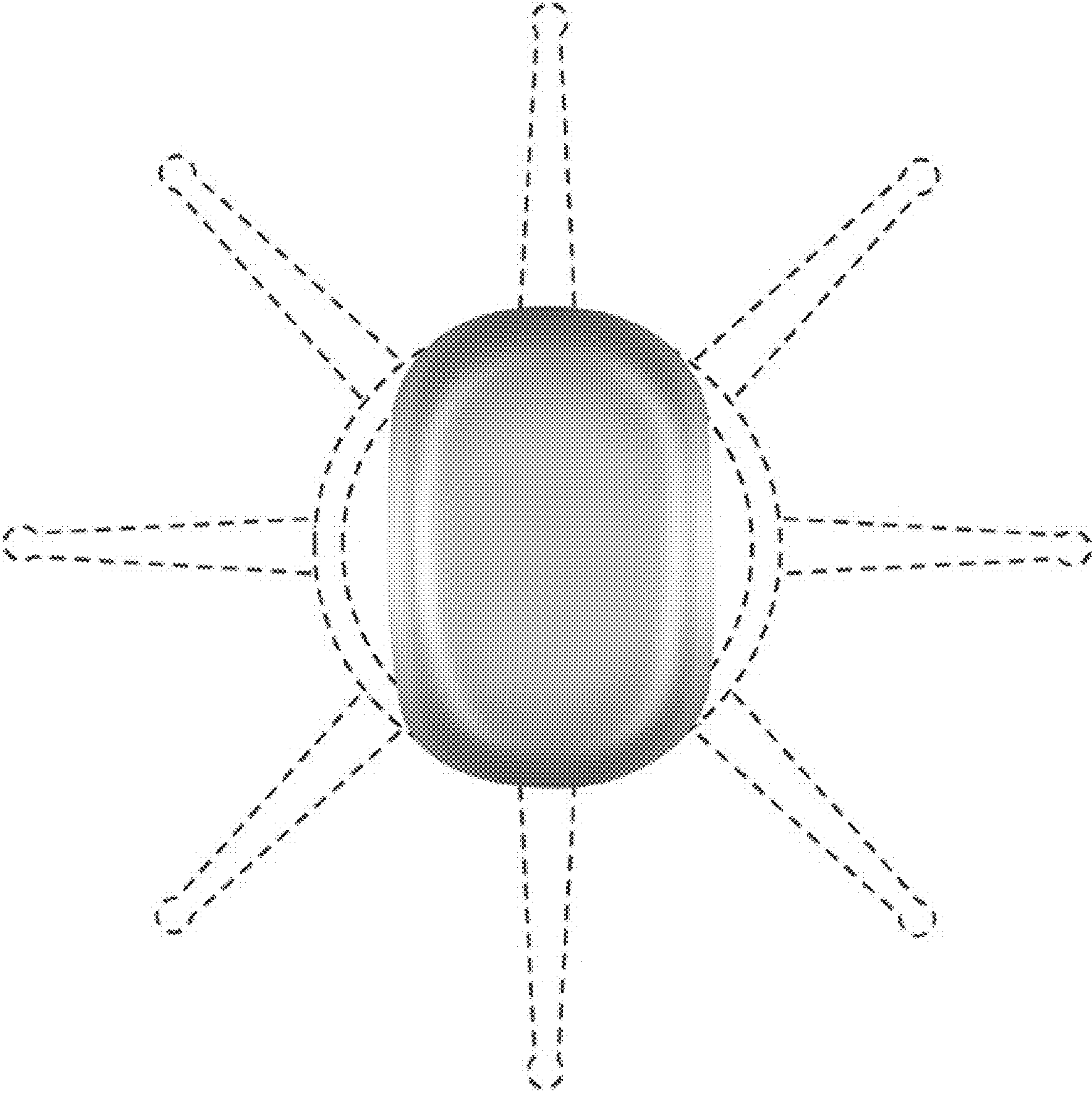


Figure 4

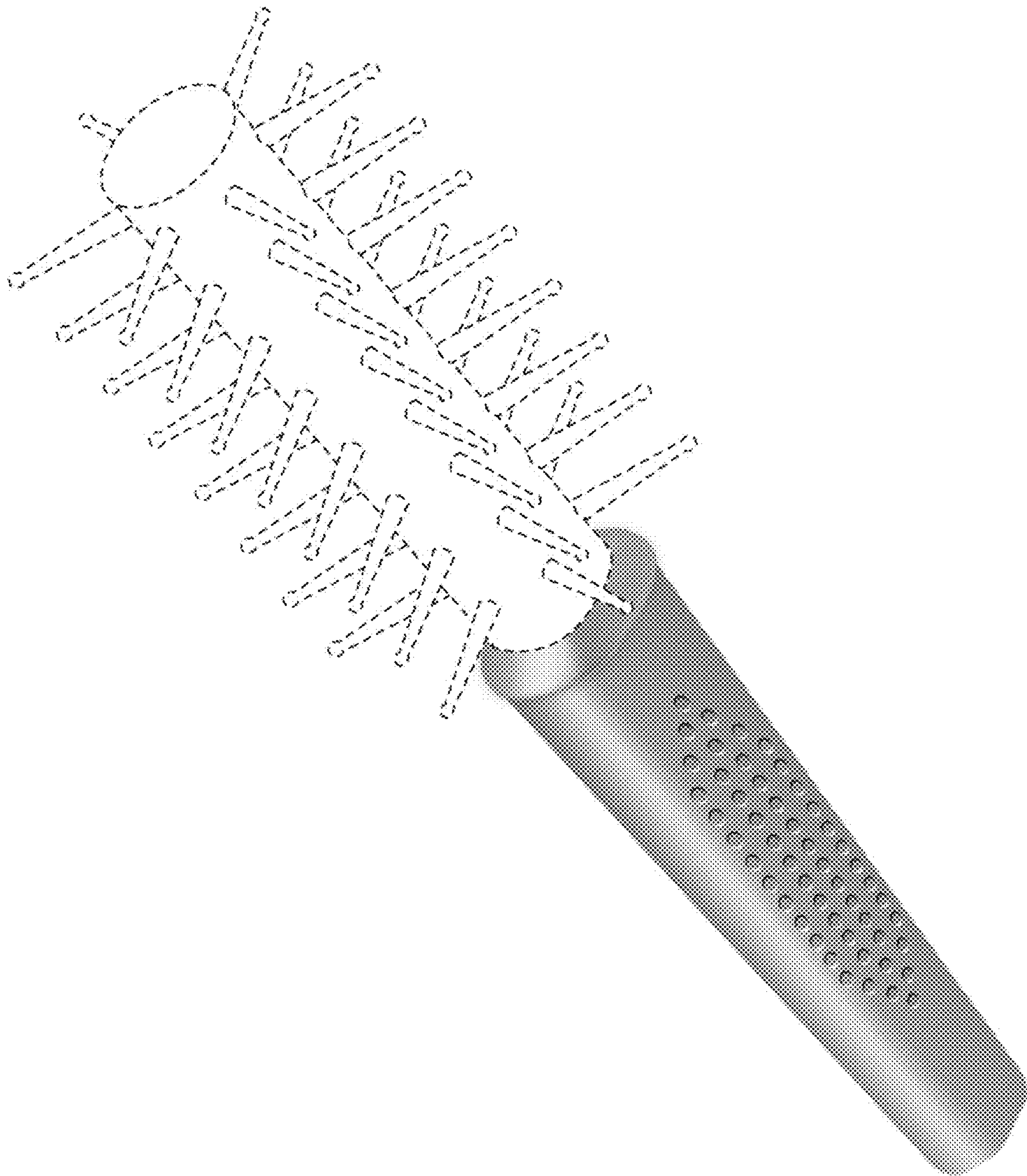


Figure 5