



US00D627976S

(12) **United States Design Patent**
Magallanes Orozco

(10) **Patent No.:** **US D627,976 S**

(45) **Date of Patent:** **** Nov. 30, 2010**

(54) **HAIR BRUSH HANDLE**

(75) Inventor: **Jaqueline Magallanes Orozco**, El Paso,
TX (US)

(73) Assignee: **Helen of Troy Limited**, St. Michael
(BB)

(**) Term: **14 Years**

(21) Appl. No.: **29/357,192**

(22) Filed: **Mar. 9, 2010**

(51) **LOC (9) Cl.** **14-02**

(52) **U.S. Cl.** **D4/138**

(58) **Field of Classification Search** D4/127,
D4/132-134, 136, 138; D7/393, 395, 401.2;
D8/107, DIG. 4, DIG. 7, DIG. 8; 15/143.1,
15/145, 159.1, 160, 176.1, 186-188; 16/110.1,
16/430, DIG. 12, DIG. 19; 81/177.1, 489,
81/492

See application file for complete search history.

(56) **References Cited**

U.S. PATENT DOCUMENTS

D244,747 S *	6/1977	Solf	D8/107
D359,624 S *	6/1995	Dols	D4/136
D411,726 S *	6/1999	Novak	D8/107
D450,932 S *	11/2001	Varriale	D4/138

D453,674 S *	2/2002	Hsiao	D8/107
D482,259 S *	11/2003	Chen	D8/107
D500,927 S *	1/2005	Hay	D4/138
D505,791 S *	6/2005	Chang	D4/138
D529,720 S *	10/2006	Chang	D4/138
2003/0110585 A1 *	6/2003	Rechelbacher	15/143.1

* cited by examiner

Primary Examiner—Cathron C Brooks

Assistant Examiner—Barbara Fox

(57) **CLAIM**

The ornamental design for a hair brush handle, as shown, and described.

DESCRIPTION

FIG. 1 is a front view of a hair brush handle showing the new design;

FIG. 2 is a side view of the hair brush handle;

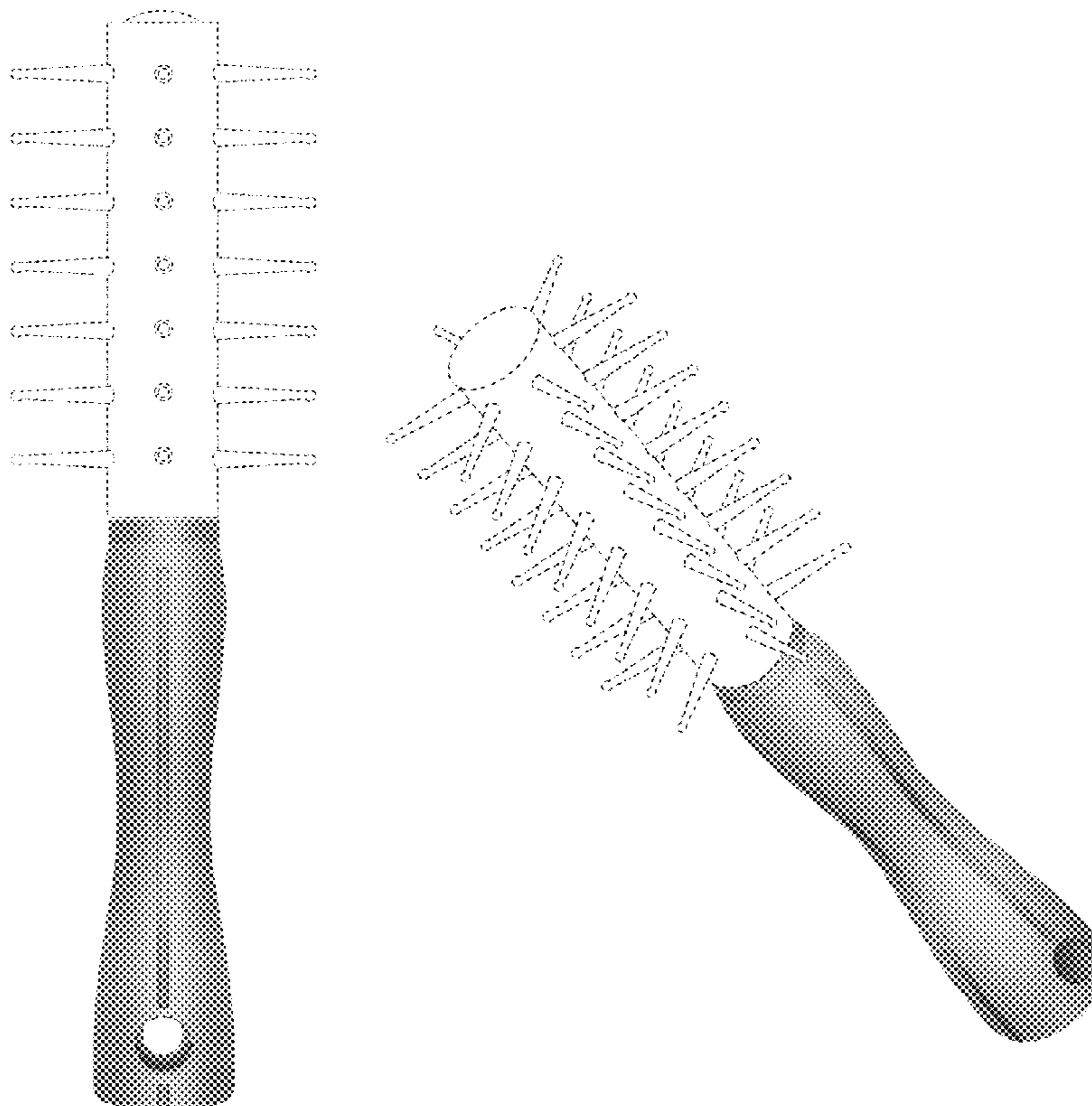
FIG. 3 is a top view of the hair brush handle (unclaimed portion);

FIG. 4 is a bottom view of the hair brush handle; and,

FIG. 5 is a perspective view of the hair brush handle.

The broken lines in the drawings illustrate environmental structure and form no part of the claimed design.

1 Claim, 5 Drawing Sheets



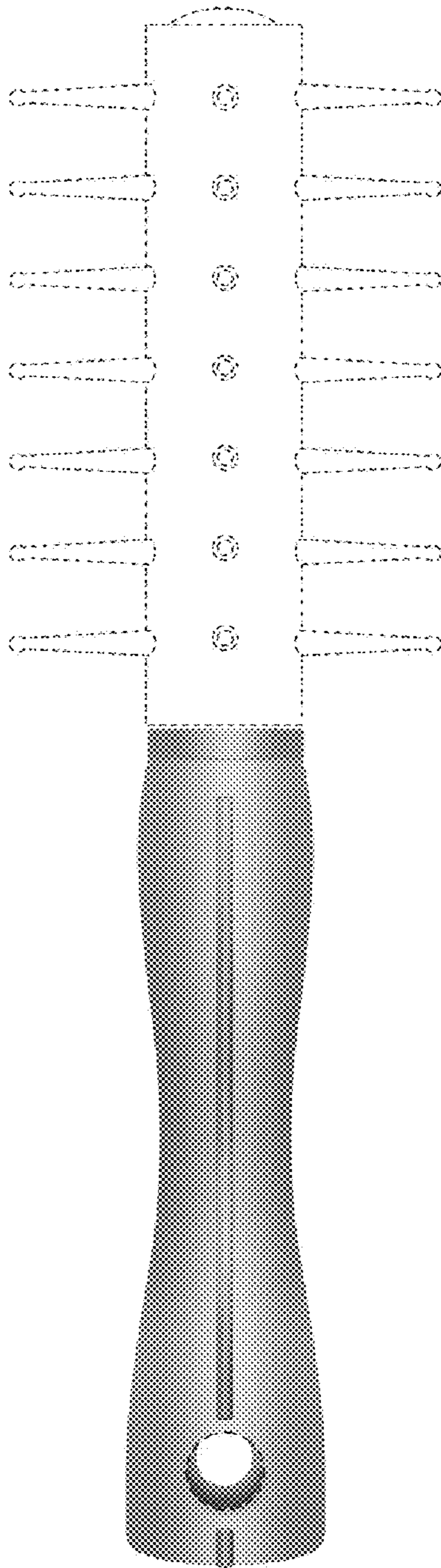


Figure 1

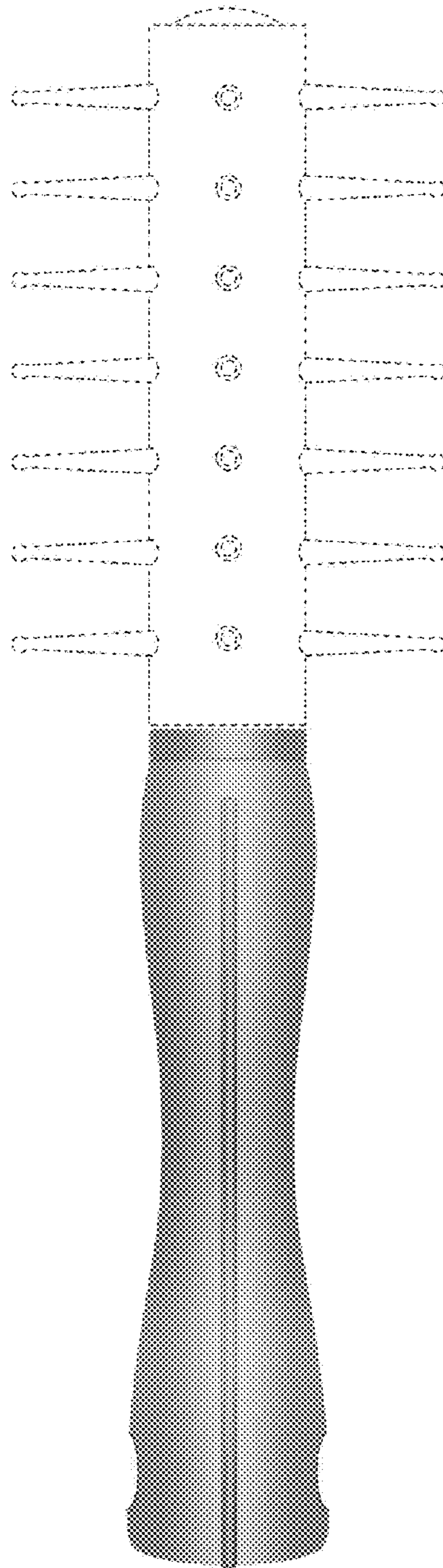


Figure 2

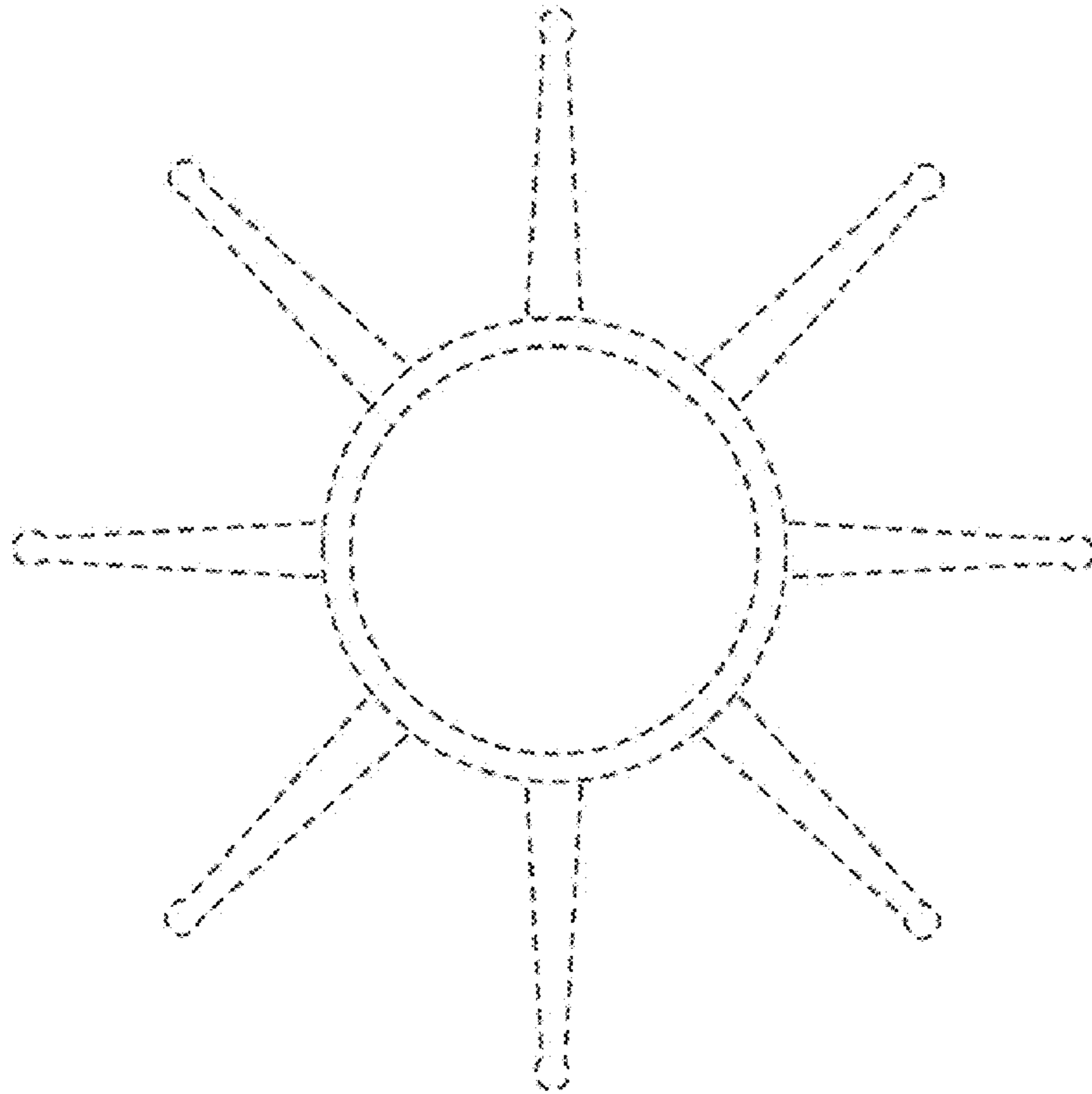


Figure 3

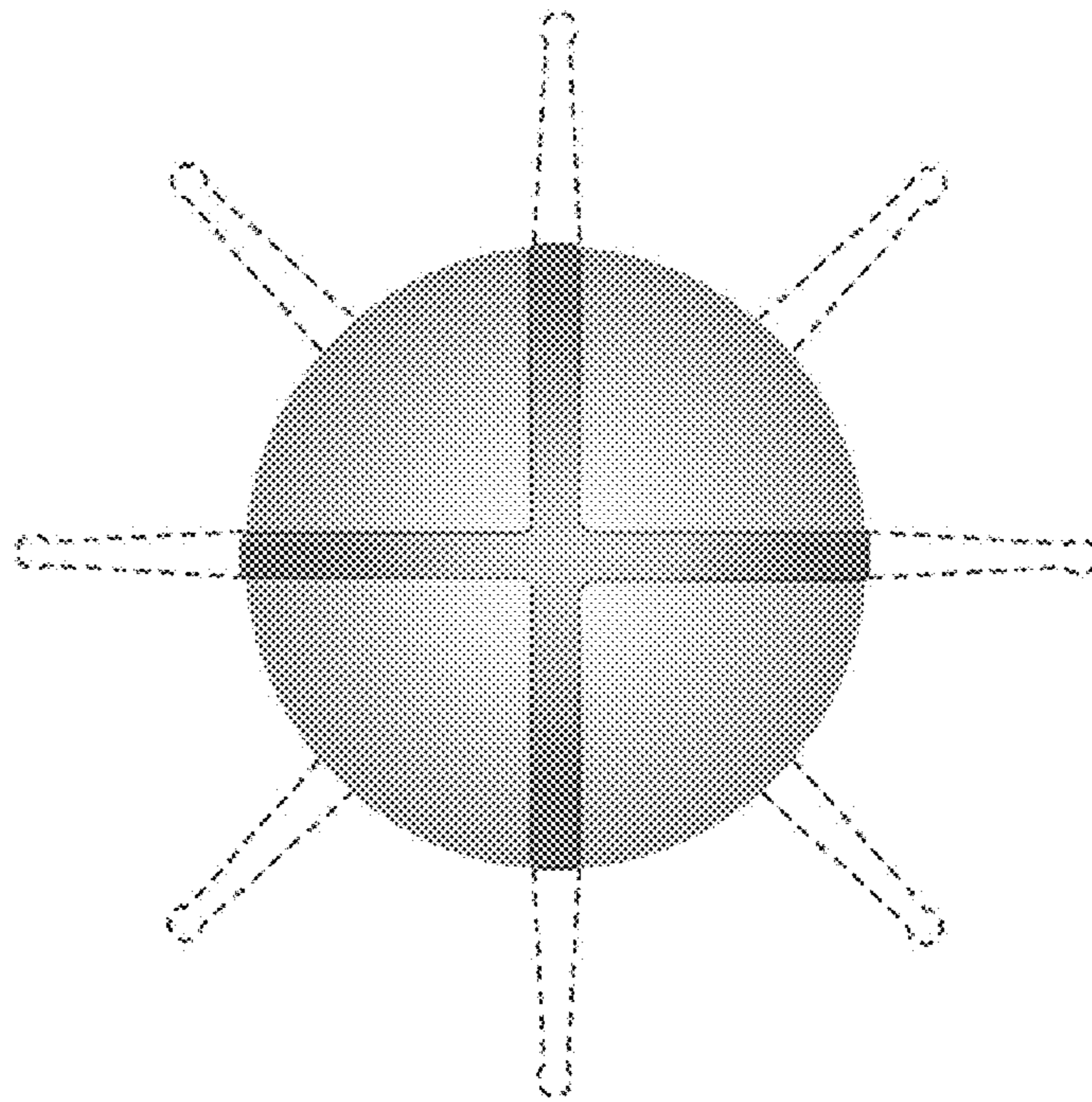


Figure 4

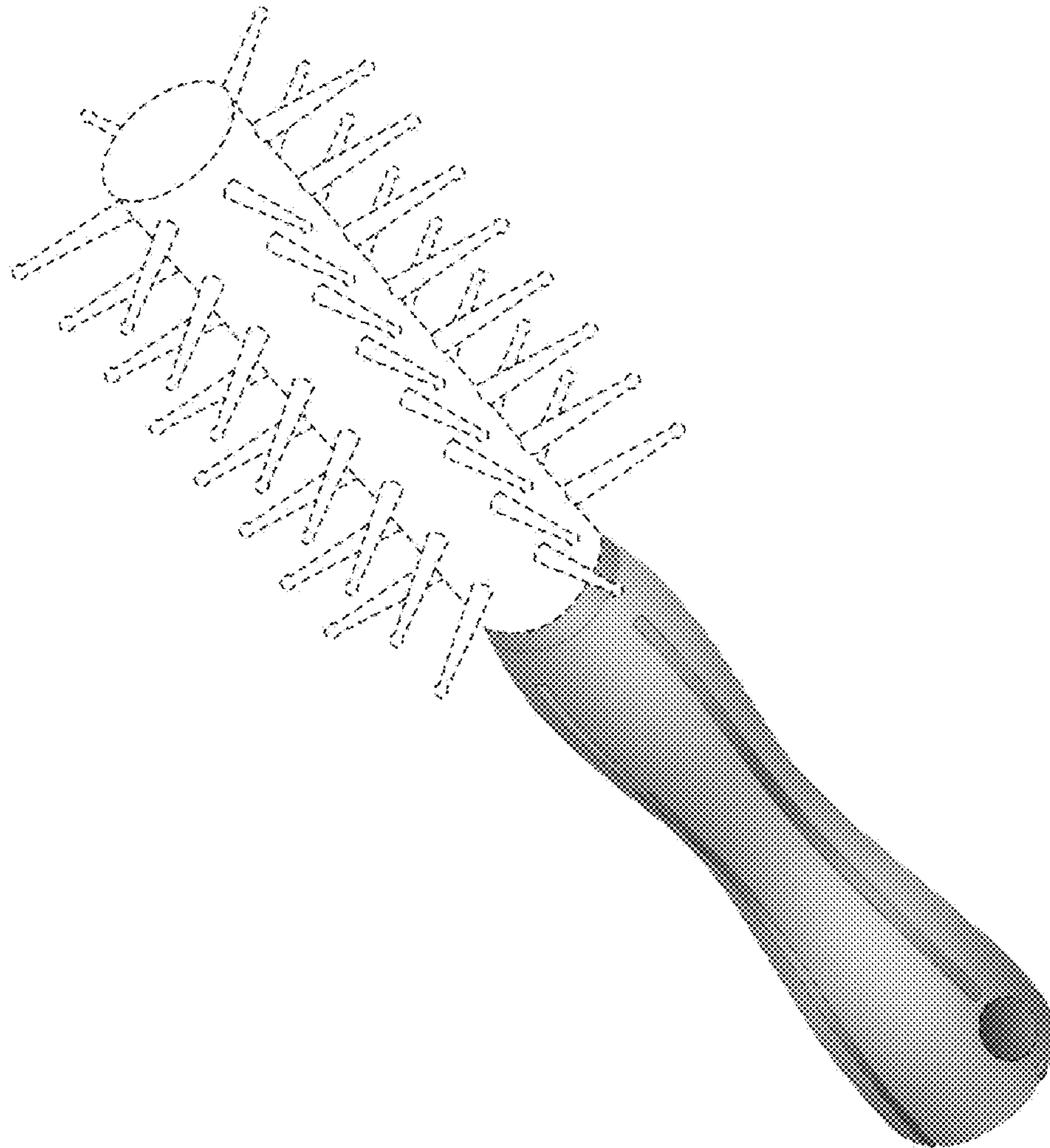


Figure 5