



US00D627972S

(12) **United States Design Patent**  
**Evans**

(10) **Patent No.:** **US D627,972 S**

(45) **Date of Patent:** **\*\* Nov. 30, 2010**

(54) **SHORT TOOTHBRUSH**

(76) Inventor: **Kerry W. Evans**, P.O. Box 329, Hardy,  
AR (US) 72542

(\*\*) Term: **14 Years**

(21) Appl. No.: **29/362,941**

(22) Filed: **Jun. 2, 2010**

(51) **LOC (9) Cl.** ..... **04-02**

(52) **U.S. Cl.** ..... **D4/104**

(58) **Field of Classification Search** ..... D4/104-112,  
D4/132-134, 136, 138; 15/143.1, 159.1,  
15/160, 186-188, 167.1, 167.2; 16/430,  
16/431; 132/308-311; 601/139, 141

See application file for complete search history.

(56) **References Cited**

**U.S. PATENT DOCUMENTS**

164,353	A *	6/1875	Wayne	.....	15/167.1
D160,651	S *	10/1950	Nugent	.....	D4/112
3,085,273	A *	4/1963	Cowan	.....	15/167.1
D293,288	S *	12/1987	Cron et al.	.....	D4/104
D329,642	S *	9/1992	Booth et al.	.....	D4/104
D335,578	S *	5/1993	Fuchs et al.	.....	D4/104
D377,867	S *	2/1997	Berghash et al.	.....	D4/105

D391,084	S *	2/1998	Armour	.....	D4/104
D454,696	S *	3/2002	Simionato et al.	.....	D4/104
D487,351	S *	3/2004	Frazell	.....	D4/104

\* cited by examiner

*Primary Examiner*—Melanie H Tung

*Assistant Examiner*—Lavone D Tabor

(74) *Attorney, Agent, or Firm*—Joe D. Calhoun; Rashauna A. Norment

(57) **CLAIM**

The ornamental design for a short toothbrush, as shown and described.

**DESCRIPTION**

FIG. 1 depicts a perspective view of the short toothbrush.

FIG. 2 depicts a top plan view.

FIG. 3 depicts a bottom plan view.

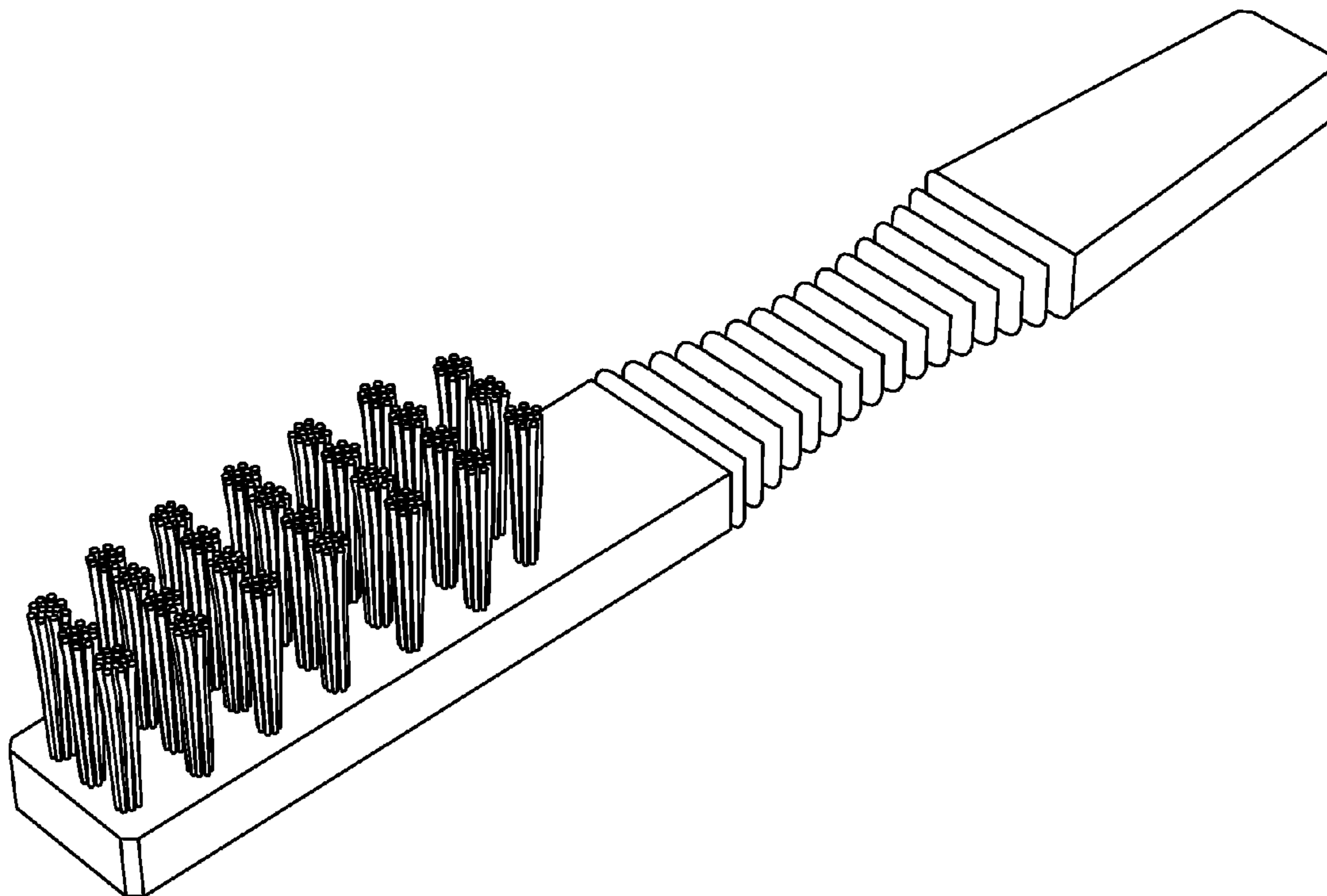
FIG. 4 depicts a handle-end side elevation view.

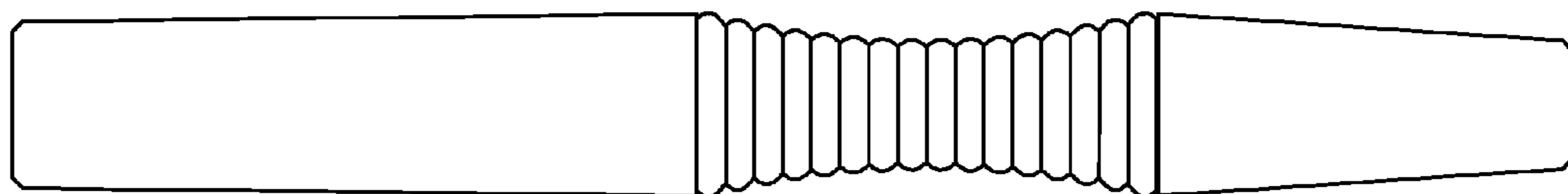
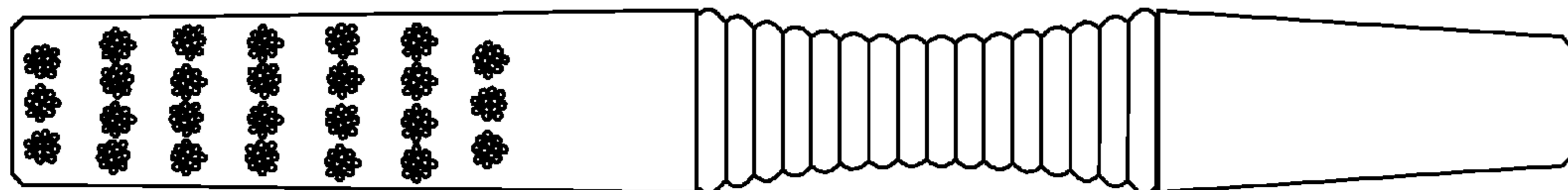
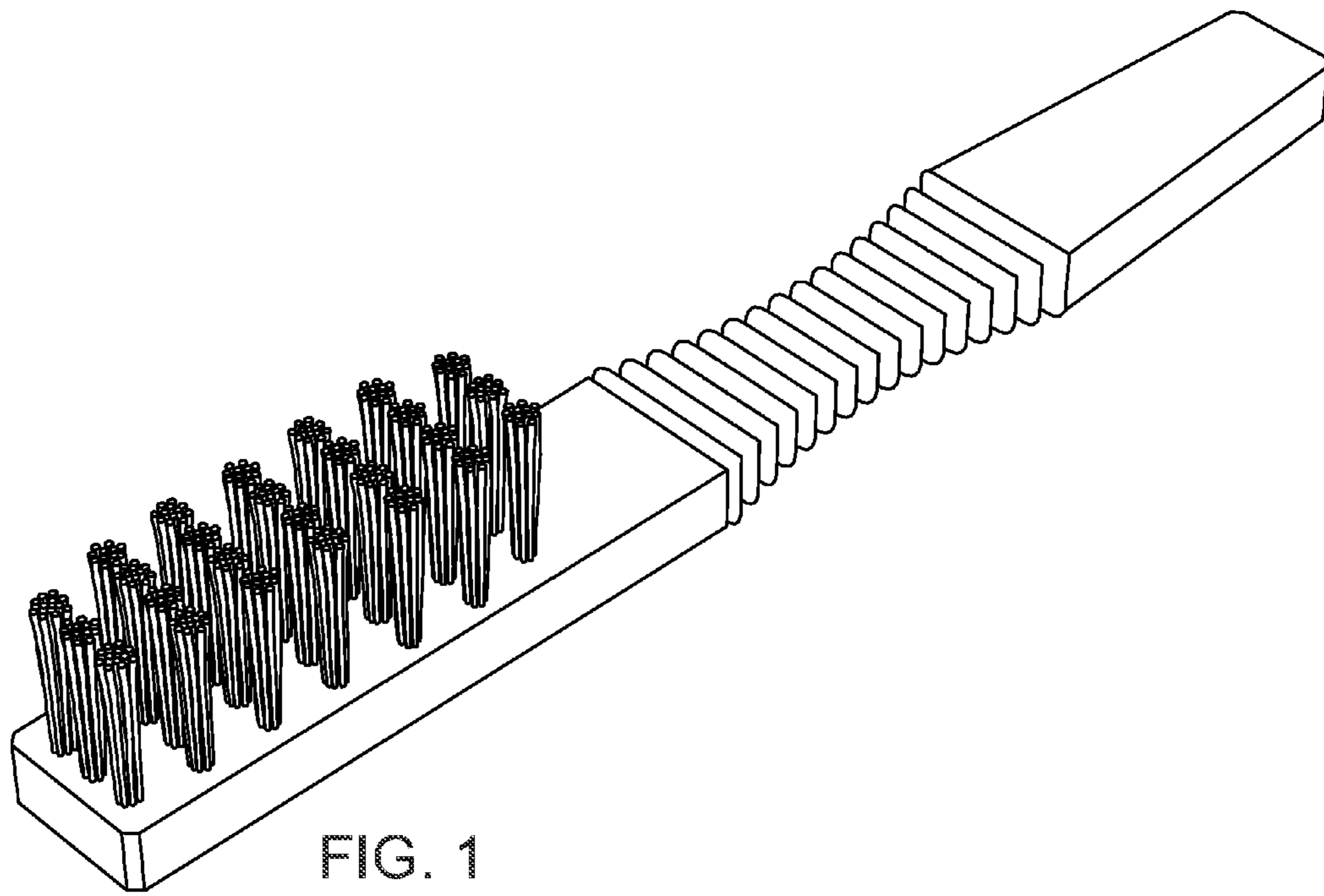
FIG. 5 depicts a bristle-end side elevation view.

FIG. 6 depicts a first side elevation view; and,

FIG. 7 depicts a second side elevation view.

**1 Claim, 2 Drawing Sheets**





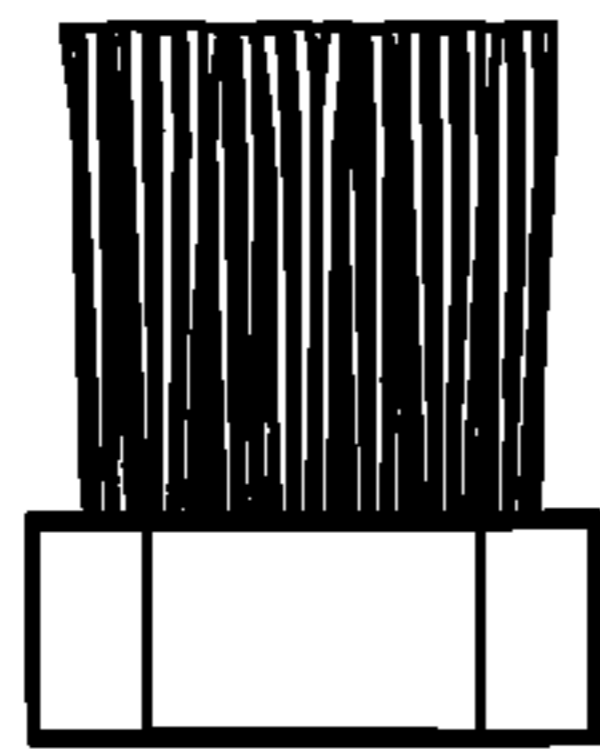


FIG. 4

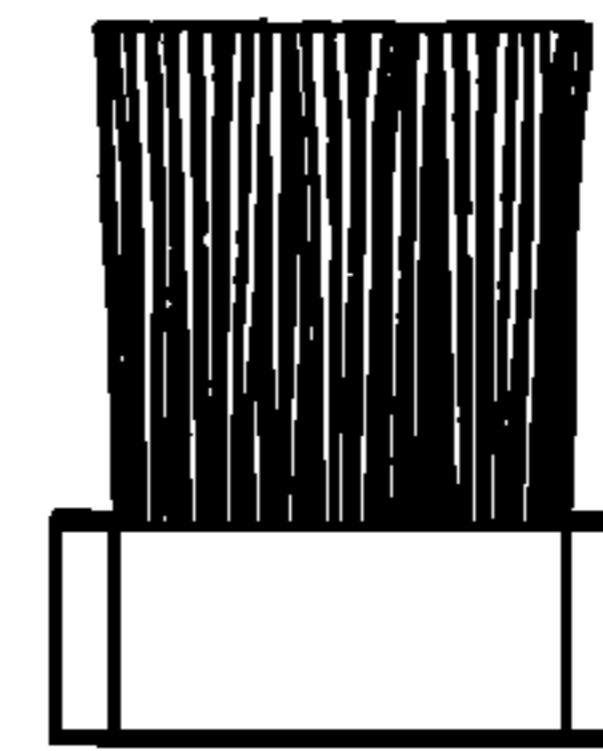


FIG. 5

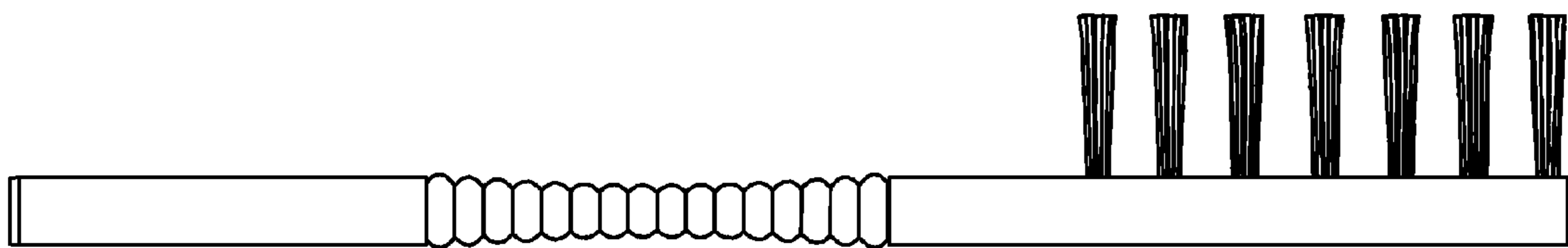


FIG. 6

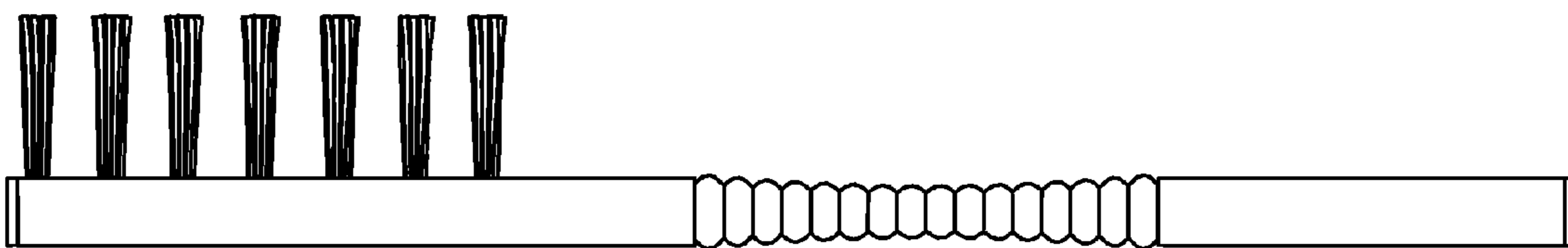


FIG. 7