



US00D627970S

(12) **United States Design Patent**
Markcrow

(10) **Patent No.:** **US D627,970 S**

(45) **Date of Patent:** **** Nov. 30, 2010**

(54) **HALTER STRAP AND HALTER FITTING FOR BAGS**

(75) Inventor: **Daphne Markcrow**, Pawlet, VT (US)

(73) Assignee: **Oughton Limited**, Pawlet, VT (US)

(**) Term: **14 Years**

(21) Appl. No.: **29/327,748**

(22) Filed: **Nov. 12, 2008**

(51) **LOC (9) Cl.** **03-01**

(52) **U.S. Cl.** **D3/318**

(58) **Field of Classification Search** D3/232-233,
D3/240-246, 318, 324; 150/100, 103, 104,
150/106-110, 113-114, 118-119

See application file for complete search history.

(56) **References Cited**

U.S. PATENT DOCUMENTS

D487,632 S *	3/2004	Galliano	D3/246
D523,632 S *	6/2006	Handley	D3/246
D535,820 S *	1/2007	Kamiya	D3/246
D569,610 S *	5/2008	Wang	D3/246
D577,192 S *	9/2008	Bellini	D3/234
D578,755 S *	10/2008	Gonzalez	D3/246
D579,657 S *	11/2008	Hermann	D3/246

* cited by examiner

Primary Examiner—Holly H Baynham

(74) *Attorney, Agent, or Firm*—Venable LLP; Keith G. Haddaway

(57) **CLAIM**

The ornamental design for a halter strap and halter fitting for bags, as shown and described.

DESCRIPTION

FIG. 1 is a perspective view of a first embodiment of a halter strap and halter fitting for bags according to the present invention;

FIG. 2 is a front view of a first embodiment of a halter strap and halter fitting for bags according to the present invention;

FIG. 3 is a side view of a first embodiment of a halter strap and halter fitting for bags according to the present invention;

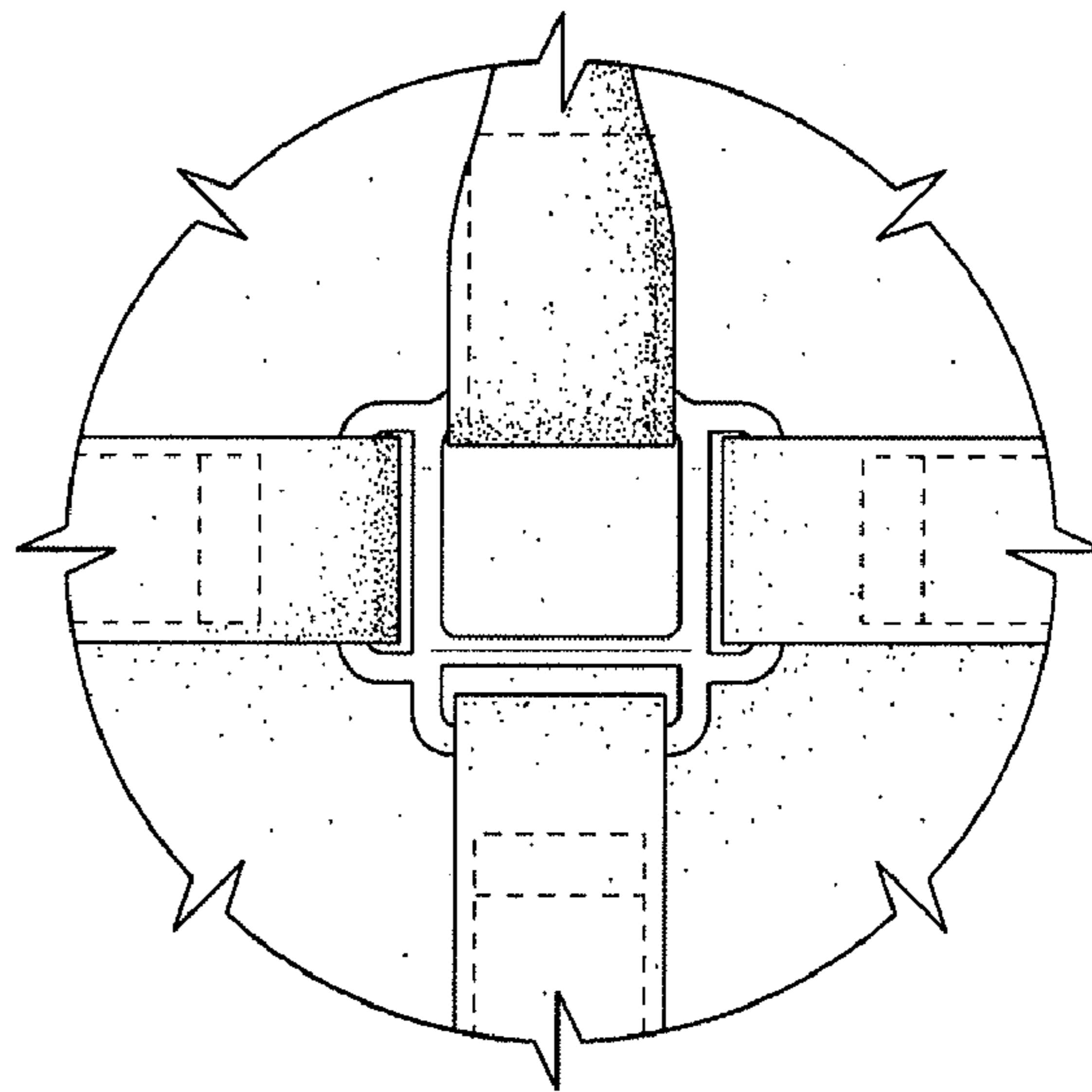
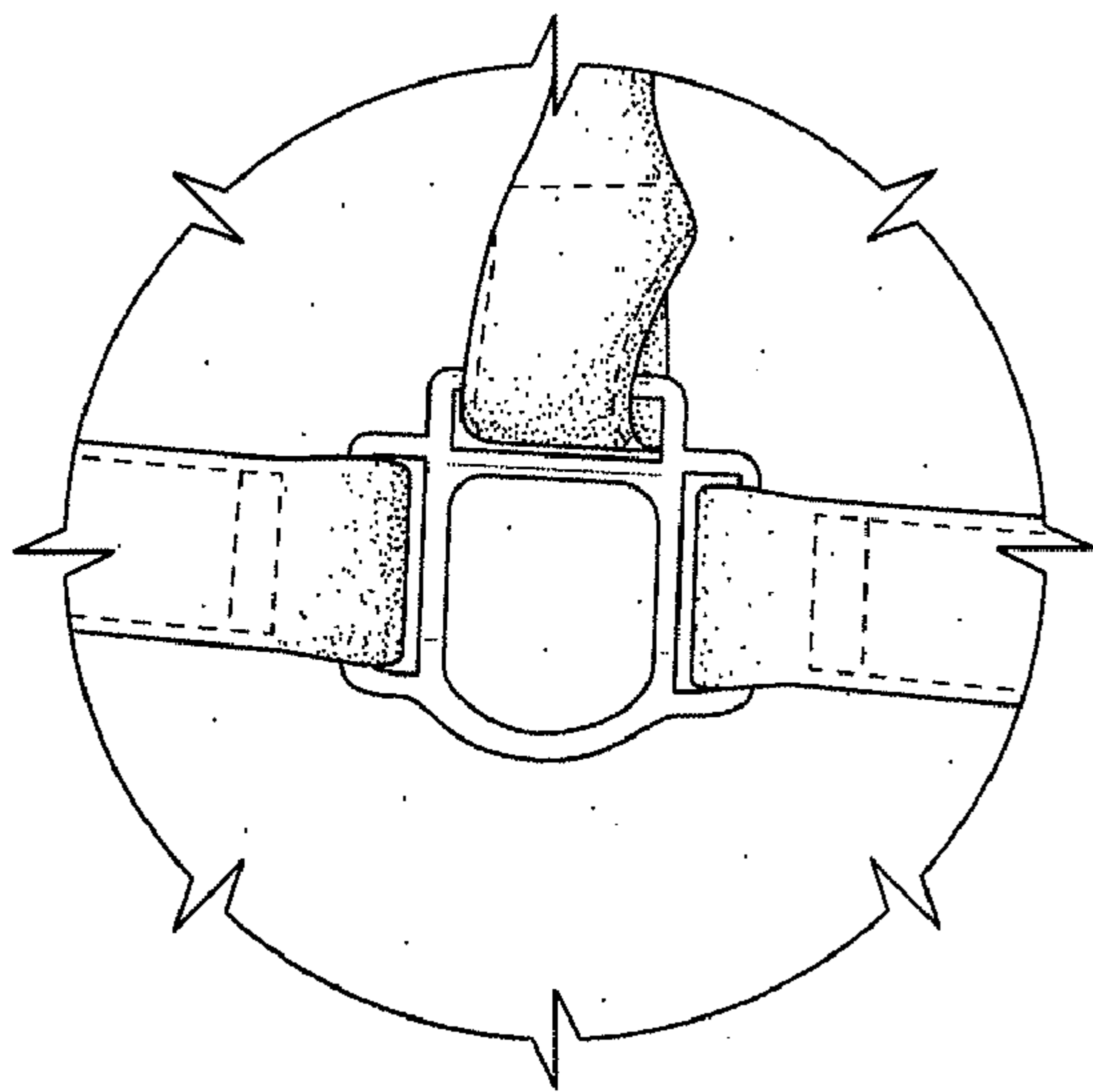
FIG. 4 is a front view of a second embodiment of a halter strap and halter fitting for bags according to the present invention;

FIG. 5 is a perspective view of a second embodiment of a halter strap and halter fitting for bags according to the present invention; and,

FIG. 6 is a side view of a second embodiment of a halter strap and halter fitting for bags according to the present invention.

The broken lines showing stitching are part of the claimed design.

1 Claim, 3 Drawing Sheets



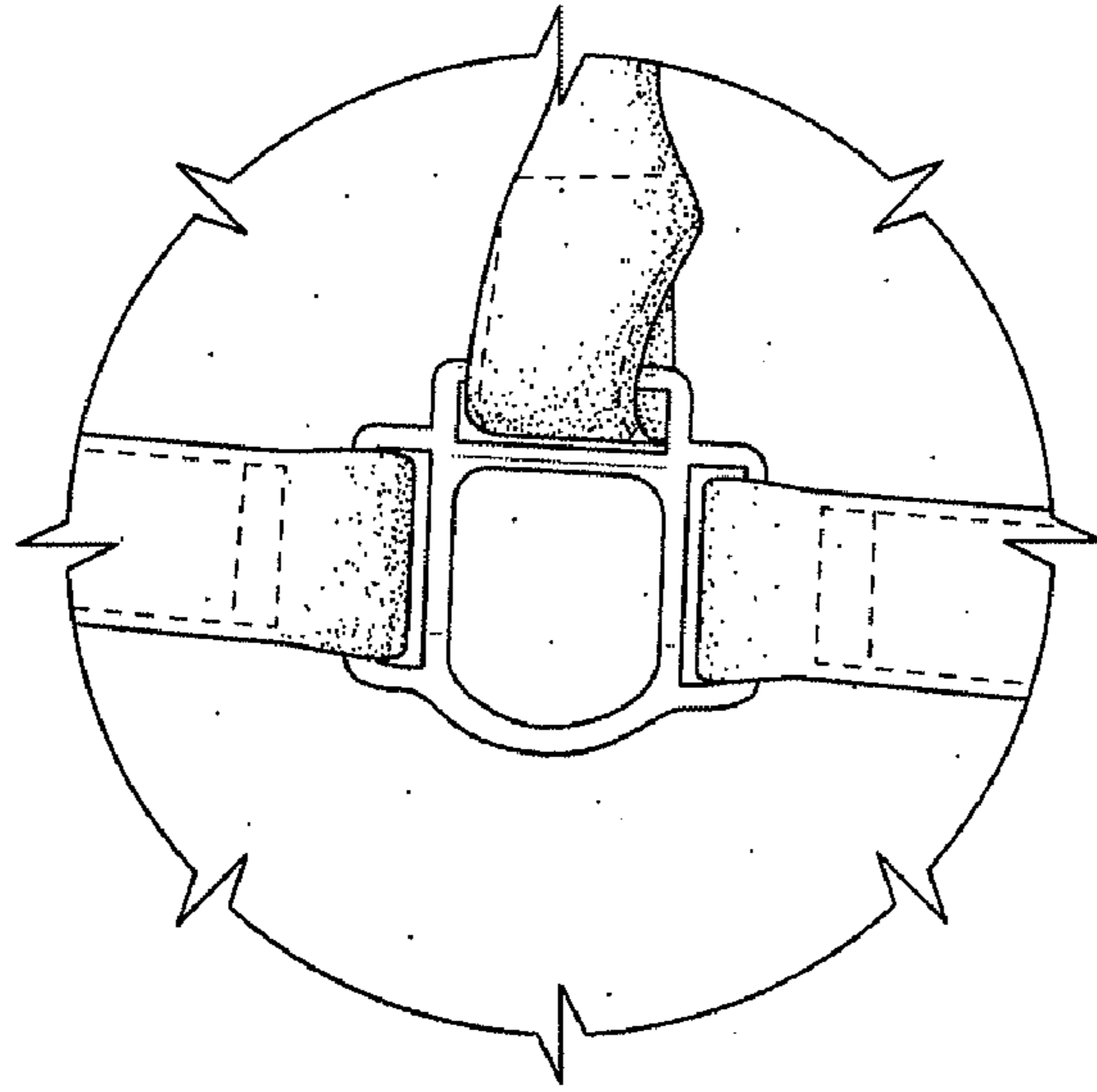


FIG. 1

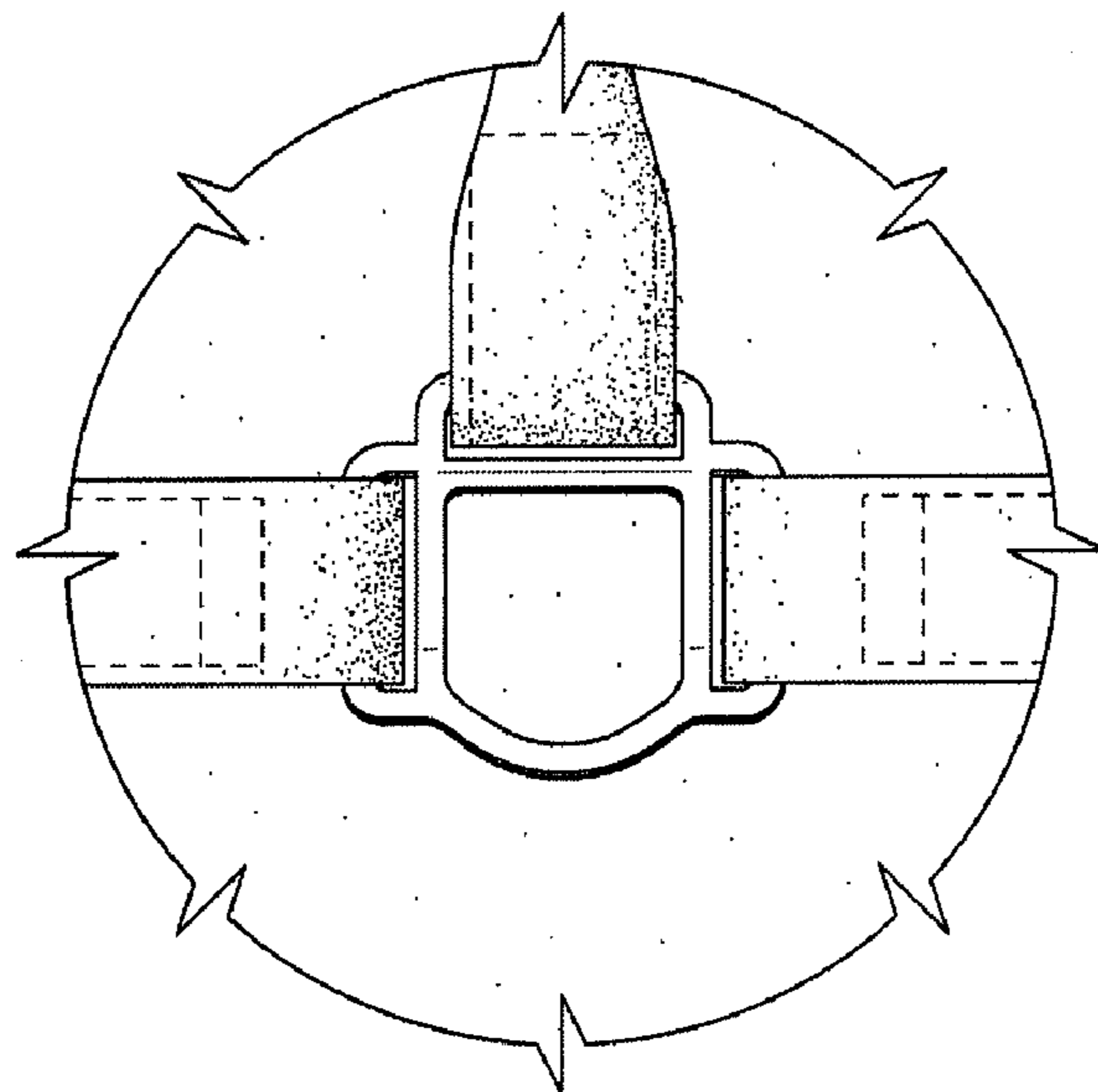


FIG. 2

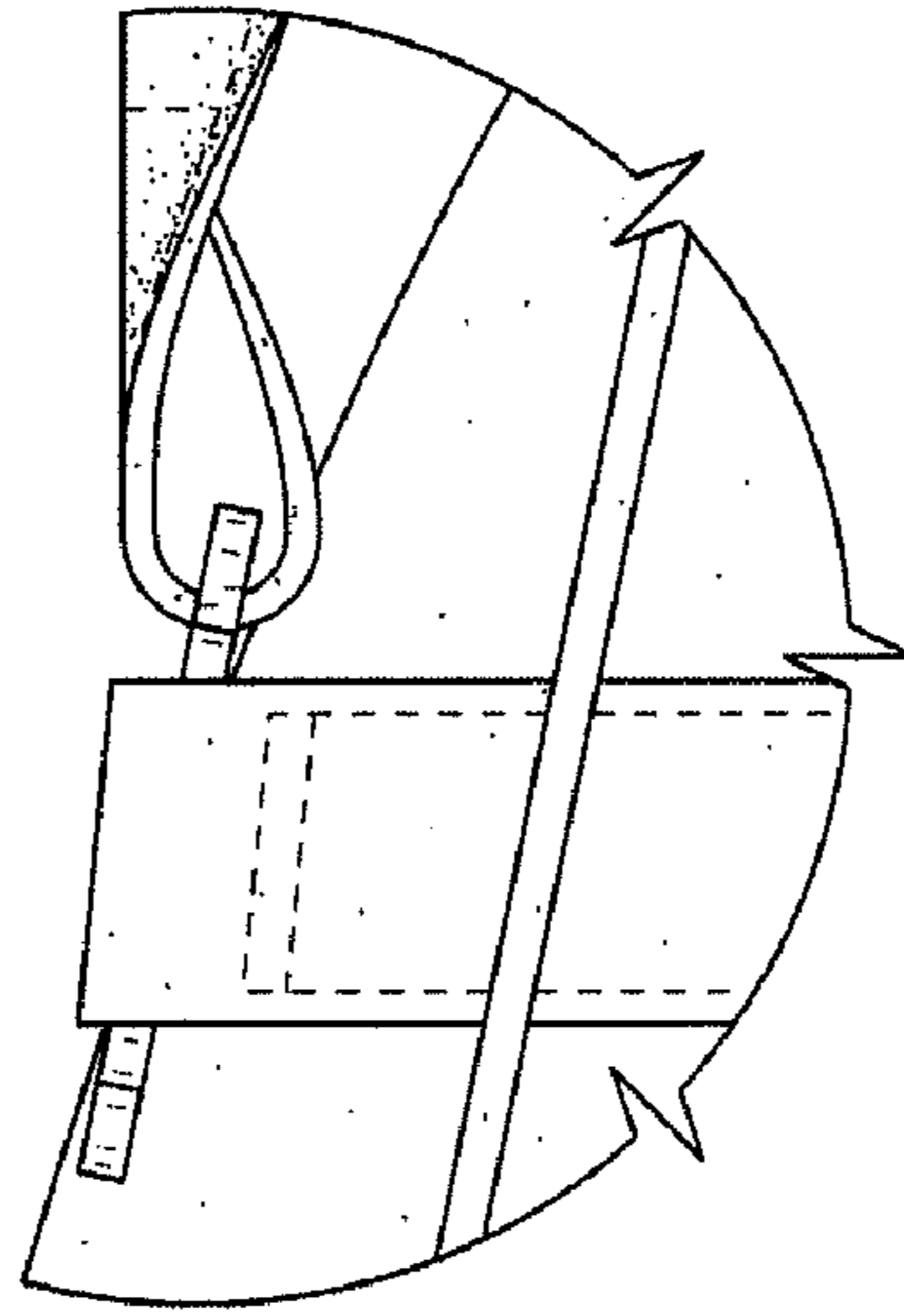


FIG. 3

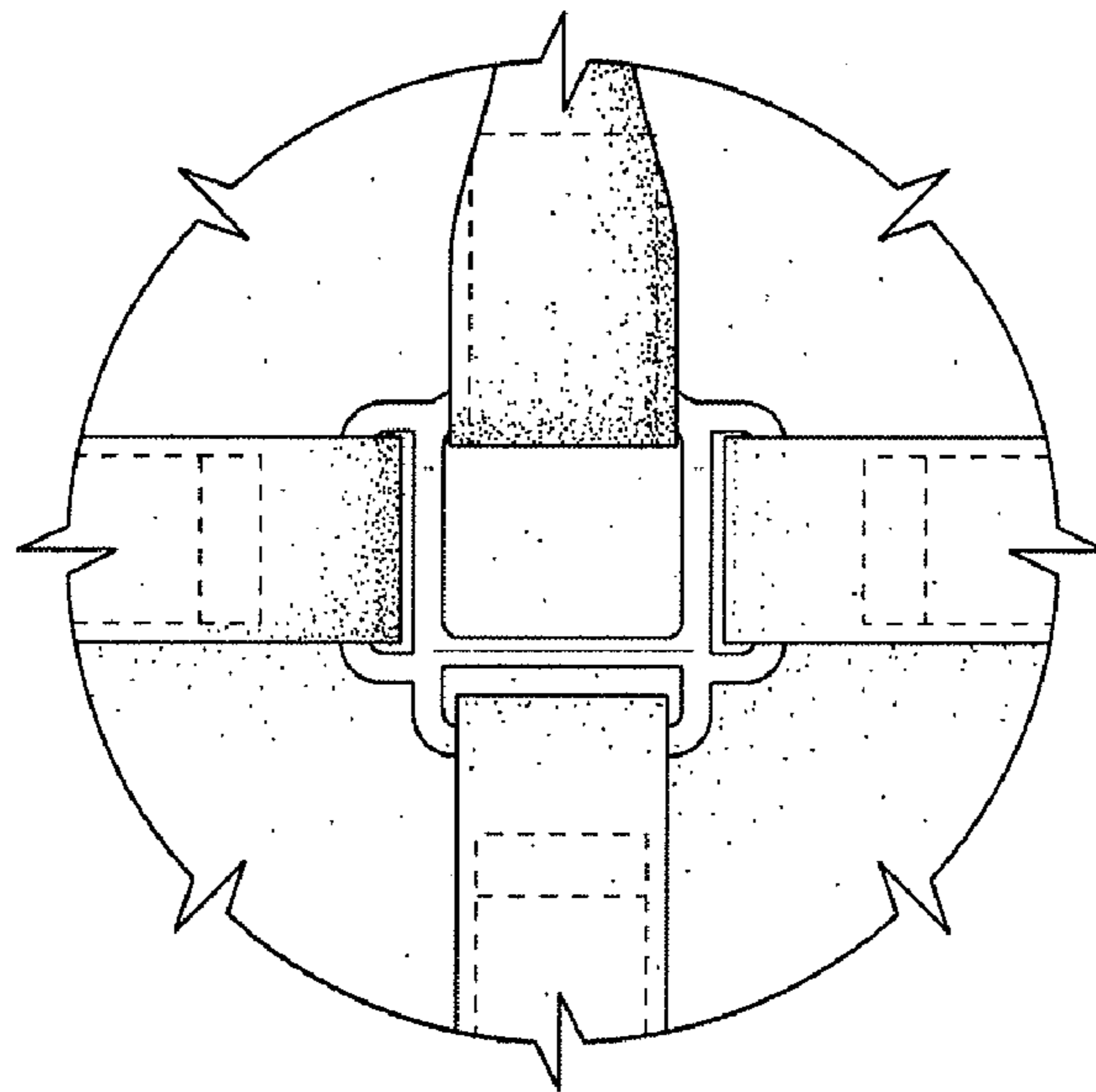


FIG. 4

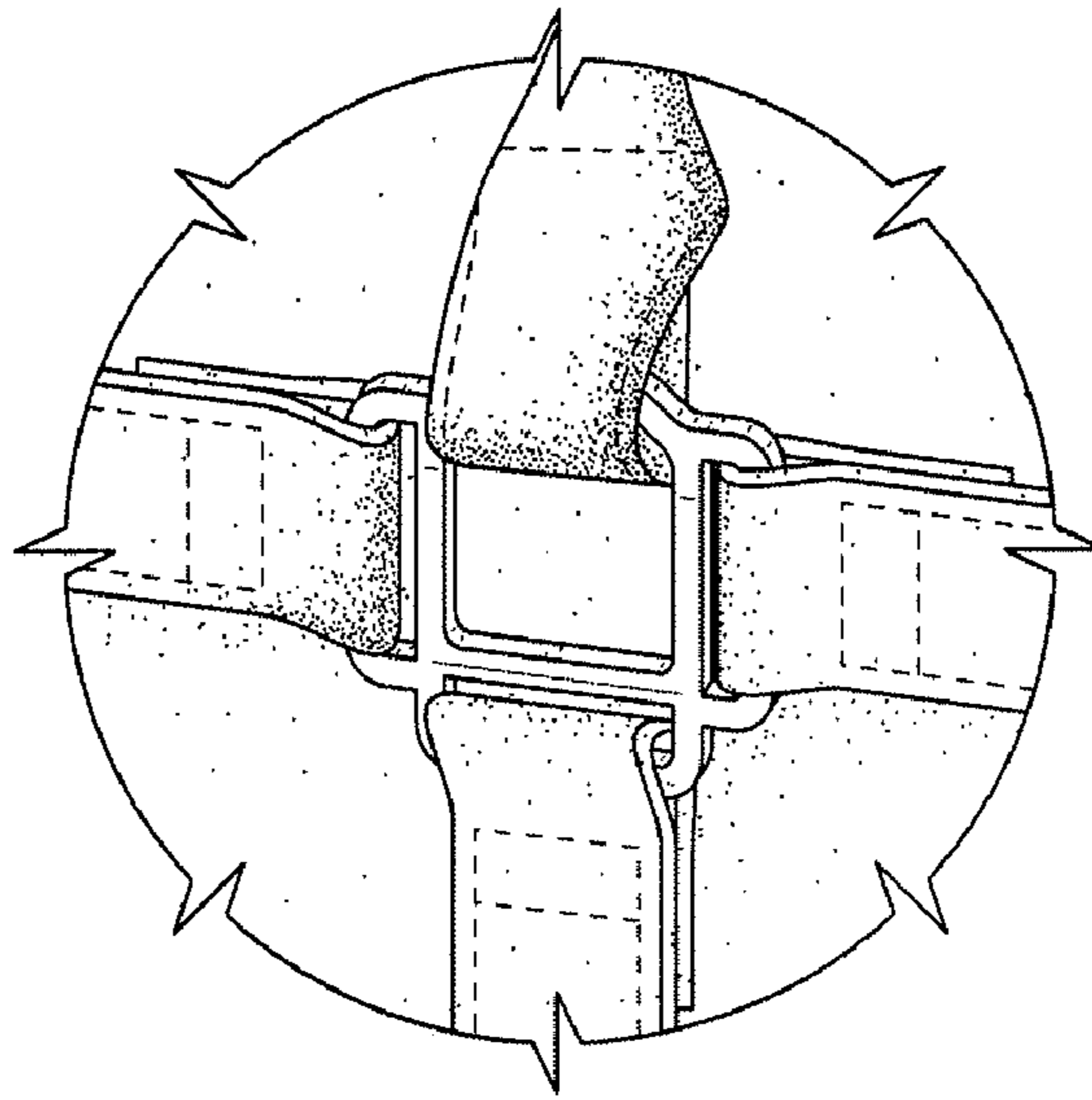


FIG. 5

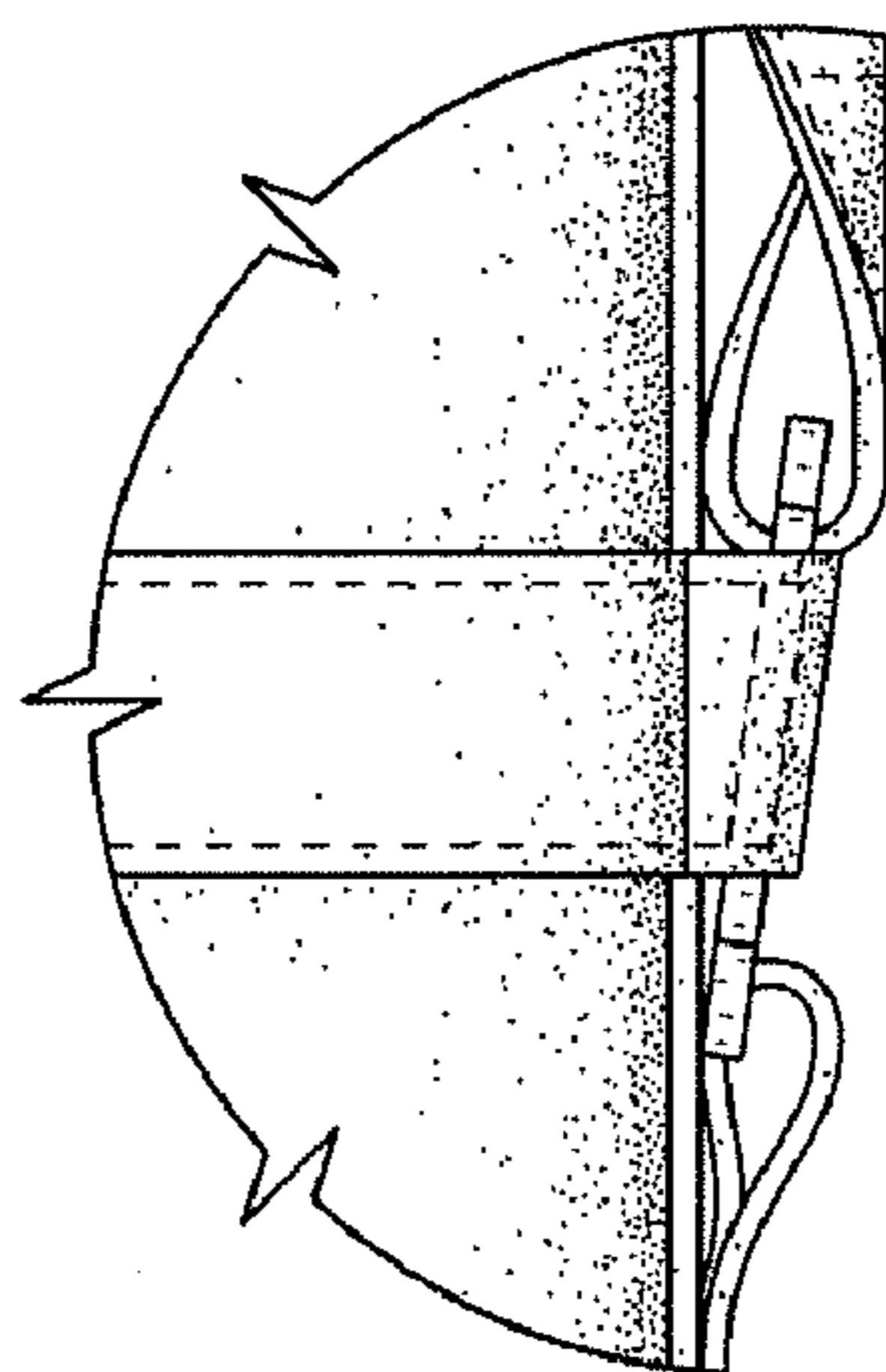


FIG. 6