



US00D627969S

(12) **United States Design Patent**
Klein et al.

(10) **Patent No.:** **US D627,969 S**

(45) **Date of Patent:** **** *Nov. 30, 2010**

(54) **TWO-TIERED CONTAINER**

(75) Inventors: **Richard B. Klein**, Overland Park, KS (US); **Mark A. Etter**, Independence, MO (US); **Brian Everett**, Shawnee, KS (US)

(73) Assignee: **Lynk, Inc.**, Shawnee Mission, KS (US)

(**) Term: **14 Years**

(21) Appl. No.: **29/351,830**

(22) Filed: **Dec. 11, 2009**

(51) **LOC (9) Cl.** **03-01**

(52) **U.S. Cl.** **D3/306**

(58) **Field of Classification Search** D3/304-314;
D19/75, 78, 86, 90, 91, 99, 100; D6/566,
D6/567, 569, 512, 553, 525, 514; 211/10,
211/11, 13.1, 45, 50, 52, 55, 87.01, 90.03,
211/126.9, 126.13, 88.01, 41.4, 86.1, 134,
211/126.1, 181.1; 220/456, 9.4, 6, 7, 600,
220/485, 488; 206/202, 513, 577

See application file for complete search history.

(56) **References Cited**

U.S. PATENT DOCUMENTS

2,239,369	A	4/1941	Nauret	
D315,840	S *	4/1991	Emery	D6/525
D343,712	S *	1/1994	Linder	D3/306
D364,297	S *	11/1995	Daniel	D6/513
D413,213	S	8/1999	Paus	
D434,257	S *	11/2000	Andujar	D6/525

(Continued)

OTHER PUBLICATIONS

Photos of storage baskets.

(Continued)

Primary Examiner—T. Chase Nelson
Assistant Examiner—Ania K Dworzecka
(74) *Attorney, Agent, or Firm*—Hovey Williams LLP

(57) **CLAIM**

The ornamental design for a two-tiered container, as shown and described.

DESCRIPTION

FIG. 1 is an isometric view of a two-tiered container embodying the design, with container brackets being shown in broken lines for illustrative purposes only and forming no part of the claimed design;

FIG. 2 is front elevation view of the two-tiered container of FIG. 1 and again illustrating the container brackets in broken lines for illustrative purposes only so as not to form any part of the claimed design;

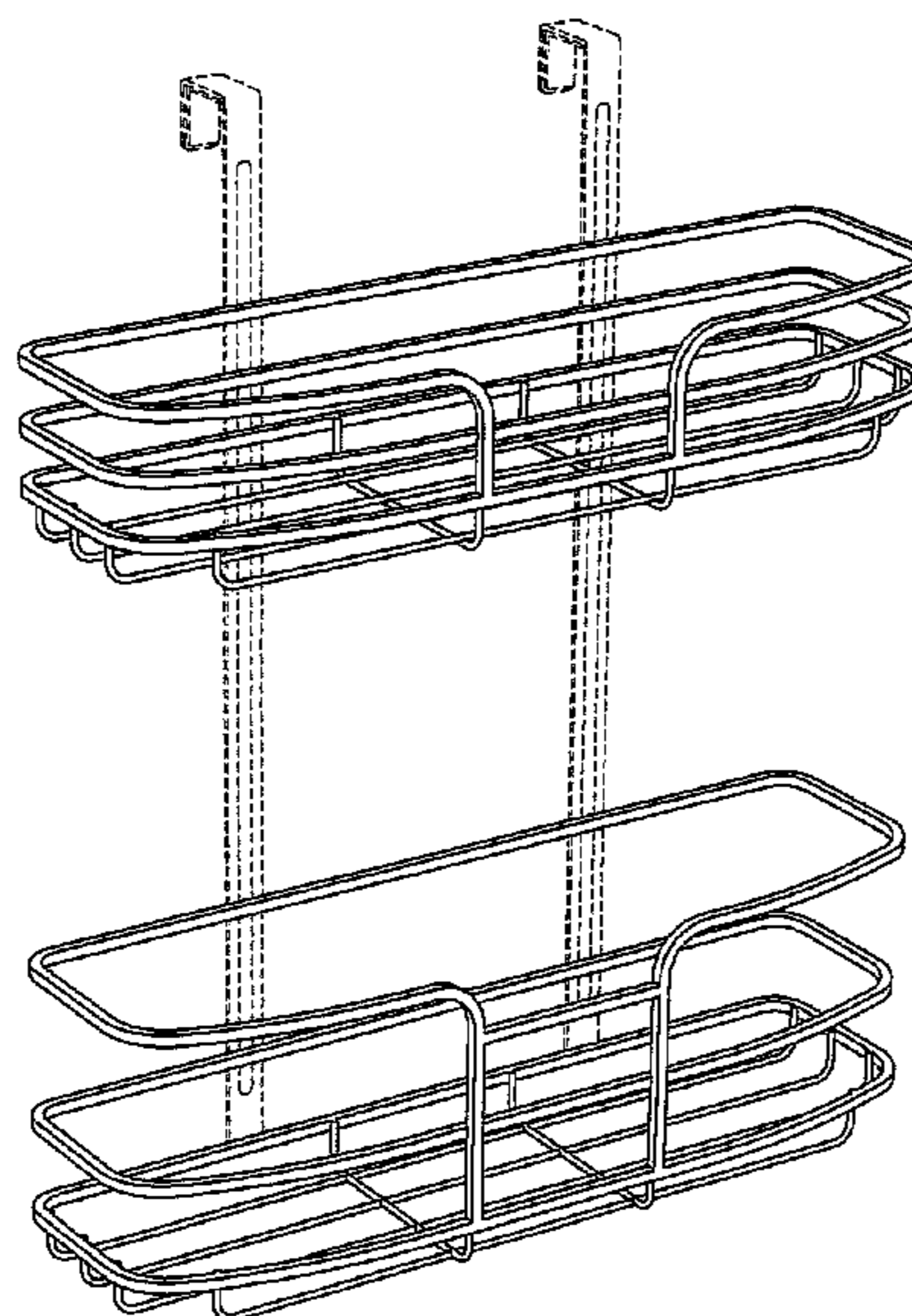
FIG. 3 is a side elevation view of the two-tiered container of FIG. 1, with the opposite side elevation view being essentially a mirror image thereof, and further illustrating the container brackets in broken lines for illustrative purposes only so as not to form any part of the claimed design;

FIG. 4 is a rear elevation view of the two-tiered container of FIG. 1 and illustrating the container brackets in broken lines for illustrative purposes only so as not to form any part of the claimed design;

FIG. 5 is a top-down plan view of the two-tiered container of FIG. 1 and illustrating the container brackets in broken lines for illustrative purposes only so as not to form any part of the claimed design; and,

FIG. 6 is a bottom-up plan view of the two-tiered container of FIG. 1 and illustrating the container brackets in broken lines for illustrative purposes only so as not to form any part of the claimed design.

1 Claim, 3 Drawing Sheets



U.S. PATENT DOCUMENTS

D446,670	S	*	8/2001	Emery et al.	D6/525
D472,750	S	*	4/2003	Clucas	D6/525
D473,411	S	*	4/2003	Walker	D6/525
D479,073	S	*	9/2003	Snell	D6/525
D479,074	S	*	9/2003	Snell	D6/525
D510,222	S		10/2005	Klein et al.		
D554,419	S	*	11/2007	Thompson et al.	D6/566
D555,943	S		11/2007	Butler et al.		
D556,475	S		12/2007	Butler et al.		
D556,476	S		12/2007	Butler et al.		
D557,050	S	*	12/2007	Dretzka	D6/525
D562,609	S	*	2/2008	Kramer	D6/525
D564,271	S	*	3/2008	Snider	D6/525
D564,816	S	*	3/2008	Snider	D6/525
D566,439	S	*	4/2008	Dretzka	D6/525
D566,440	S	*	4/2008	Dretzka	D6/525
D566,441	S	*	4/2008	Dretzka	D6/525
D568,635	S		5/2008	Klein et al.		
D579,700	S	*	11/2008	Ghiorghie	D6/513
D584,056	S	*	1/2009	Ghiorghie	D3/306
D588,814	S	*	3/2009	Ghiorghie	D3/304
D588,815	S	*	3/2009	Ghiorghie	D3/304

OTHER PUBLICATIONS

“Wire Organizer Baskets—Slide Out”. Posted Date: Unknown; Printed Date: Sep. 28, 2009; <stacksandstacks.com>.

“Sliding Basket Organizer”. Posted Date: Unknown; Printed Date: Sep. 28, 2009; <stacksandstacks.com>.

“Small Slide-Out Organizer”. Posted Date: Unknown; Printed Date: Sep. 28, 2009; <stacksandstacks.com>.

“Mesh Slide Out Cabinet Baskets”. Posted Date: Unknown; Printed Date: Sep. 28, 2009; <stacksandstacks.com>.

“2-Drawer Mesh Organizer”. Posted Date: Unknown; Printed Date: Unknown; <amazon.com>.

“Rolodex 9E5600BLA Mesh organization cube, two-drawer cube, black”. Posted Date: Unknown; Printed Date: Unknown; <amazon.com>.

Rubbermaid Spacemaker Cube Organizer, 2 Drawers, Plastic, 6×7. 25×6 Inches, Clear (29882ROS); Posted Date: Unknown; Printed Date: Unknown; <amazon.com>.

“Silver Mesh 4 Drawer Organizer by Design Ideas”. Posted Date: Unknown; Printed Date: Unknown; <amazon.com>.

“Safco Model Mesh 5-Drawer Literature Organizer, Black Onyx (9432)”. Posted Date: Unknown; Printed Date: Unknown; <amazon.com>.

“Expressions Wire Mesh 2 Drawer Cube, Black (ELD9E5600BLA)”. Posted Date: Unknown; Printed Date: Unknown; <amazon.com>.

“Rubbermaid 12-Compartment Organizer with Mesh Drawers”. Posted Date: Unknown; Printed Date: Unknown; <amazon.com>.

“Double Pull Out Storage Shelves—Chrome”. Posted Date: Unknown; Printed Date: Unknown; <organizeit-online.com>.

“Axis Over Cabinet”. Posted Date: Unknown; Printed Date: Jun. 30, 2010; <<http://www.thefind.com/furniture/info-axisover-cabinet>>. Selected photo(s) on the cited website are submitted as enlarged photo(s) on attached, separate sheet(s).

“Wire Organizer Baskets - Slide Out”. Posted Date: Unknown; Printed Date: Jun. 30, 2010; <stacksandstacks.com>. Selected photo(s) on the cited website are submitted as enlarged photo(s) on attached, separate sheet(s).

“Sliding Basket Organizer”. Posted Date: Unknown; Printed Date: Jun. 30, 2010; <stacksandstacks.com>. Selected photo(s) on the cited website are submitted as enlarged photo(s) on attached, separate sheet(s).

“Small Slide-Out Organizer”. Posted Date: Unknown; Printed Date: Jun. 30, 2010; <stacksandstacks.com>. Selected photo(s) on the cited website are submitted as enlarged photo(s) on attached, separate sheet(s).

“Mesh Slide Out Cabinet Baskets”. Posted Date: Unknown; Printed Date: Jun. 30, 2010; <stacksandstacks.com>. Selected photo(s) on the cited website are submitted as enlarged photo(s) on attached, separate sheet(s).

“2-Drawer Mesh Organizer”. Posted Date: Unknown; Printed Date: Unknown; <amazon.com>.

“Rolodex 9E5600BLA Mesh organization cube, two-drawer cube, black”. Posted Date: Unknown; Printed Date: Jun. 30, 2010; <amazon.com>. Selected photo(s) on the cited website are submitted as enlarged photo(s) on attached, separate sheet(s).

Sterilite #17918004 ClearView 3-Drawer Organizer. Posted Date: Unknown; Printed Date: Jun. 30, 2010; <amazon.com>.

“Safco Model Mesh 5-Drawer Literature Organizer, Black Onyx (9432)”. Posted Date: Unknown; Printed Date: Jun. 30, 2010; <amazon.com>. Selected photo(s) on the cited website are submitted as enlarged photo(s) on attached, separate sheet(s).

“Expressions Wire Mesh 2 Drawer Cube, Black (ELD9E5600BLA)”. Posted Date: Unknown; Printed Date: Jun. 30, 2010; <amazon.com>. Selected photo(s) on the cited website are submitted as enlarged photo(s) on attached, separate sheet(s).

“Rubbermaid 12-Compartment Organizer with Mesh Drawers”. Posted Date: Unknown; Printed Date: Jun. 30, 2010; <amazon.com>. Selected photo(s) on the cited website are submitted as enlarged photo(s) on attached, separate sheet(s).

“Double Pull Out Storage Shelves - Chrome”. Posted Date: Unknown; Printed Date: Jun. 30, 2010; <organizeit-online.com>. Selected photo(s) on the cited website are submitted as enlarged photo(s) on attached, separate sheet(s).

“Chrome Roll Out Cabinet Drawers”. Posted Date: Unknown; Printed Date: Jun. 30, 2010; <spacesavers.com>. Selected photo(s) on the cited website are submitted as enlarged photo(s) on attached, separate sheet(s).

* cited by examiner

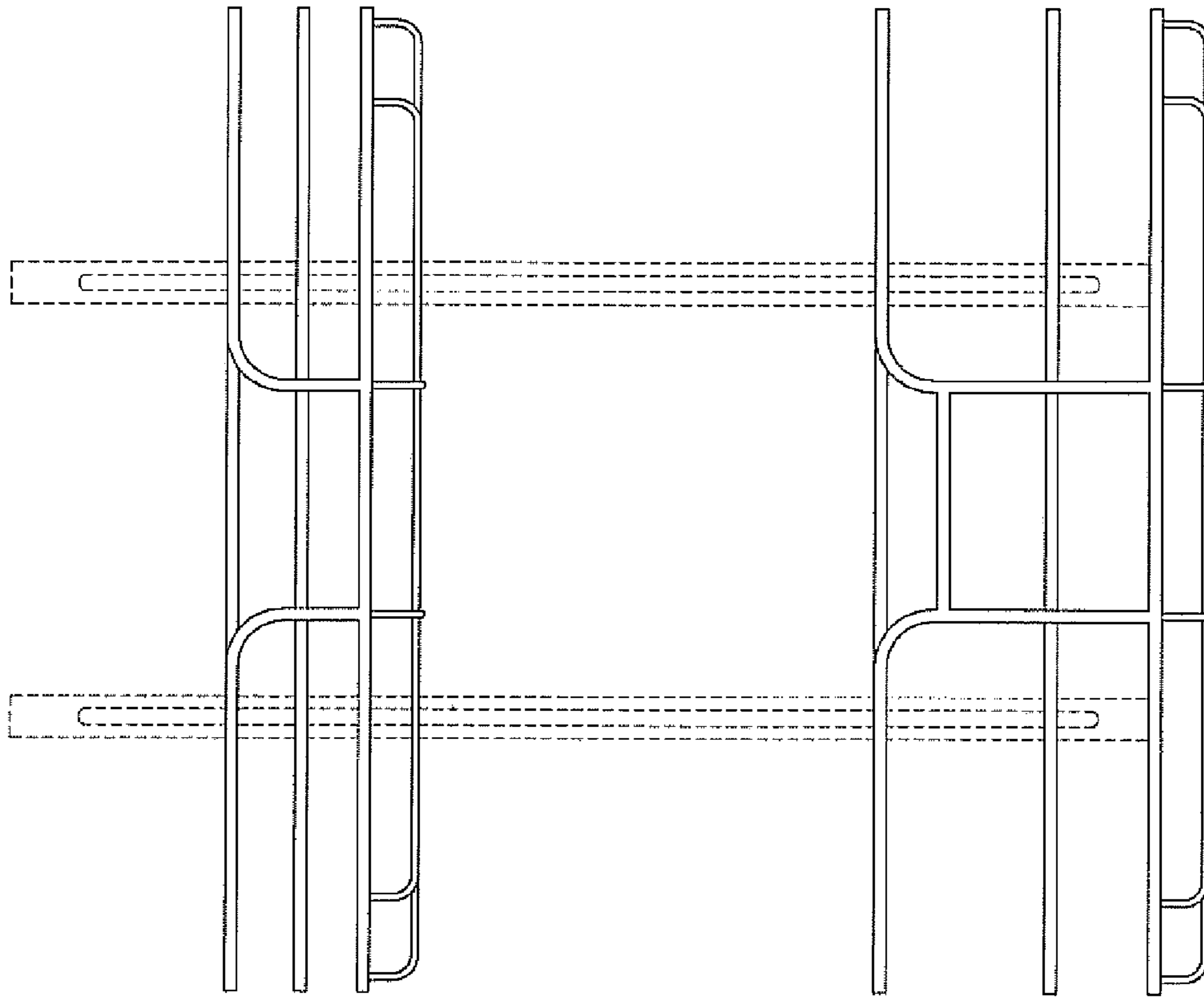


Fig. 2.

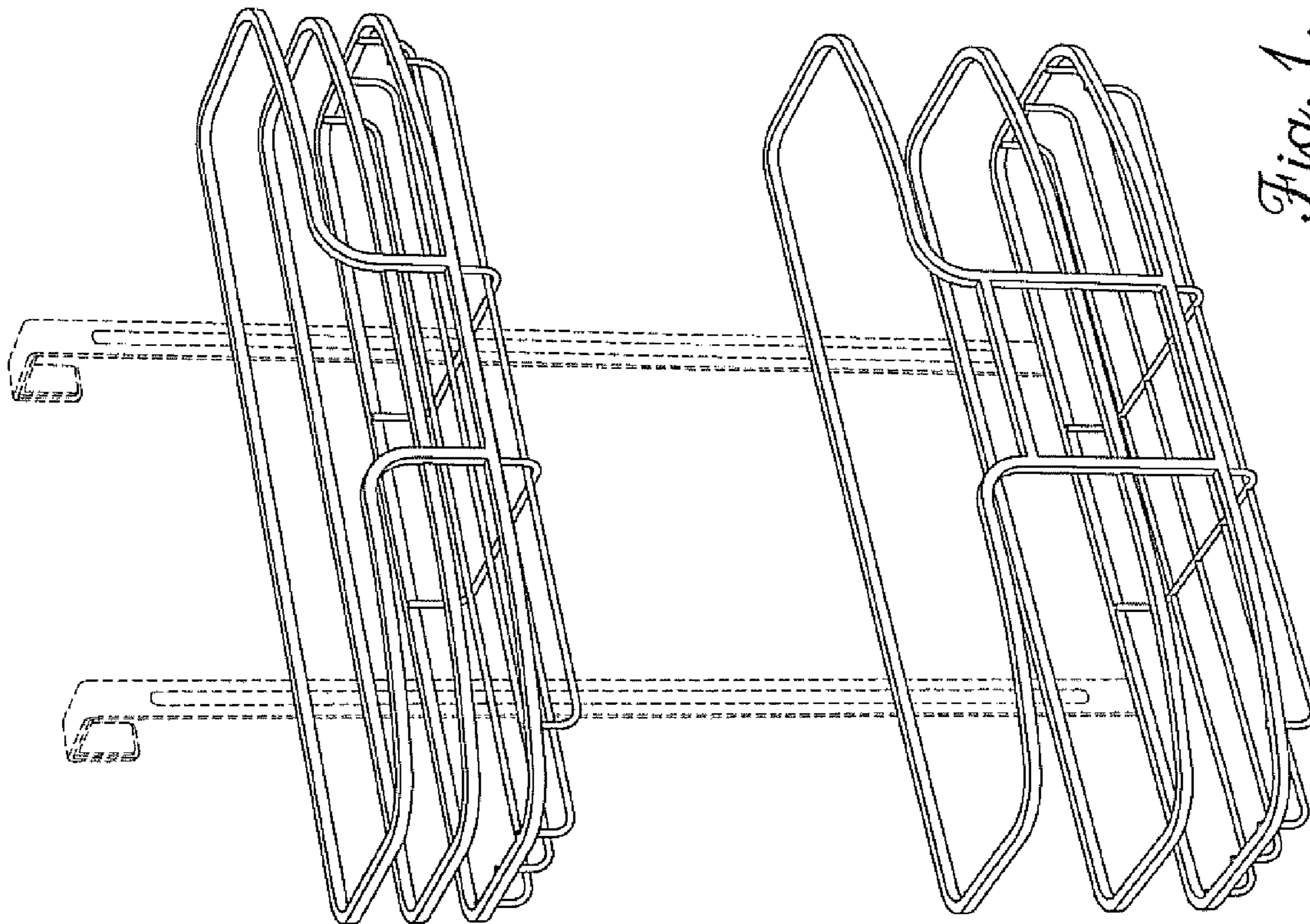


Fig. 1.

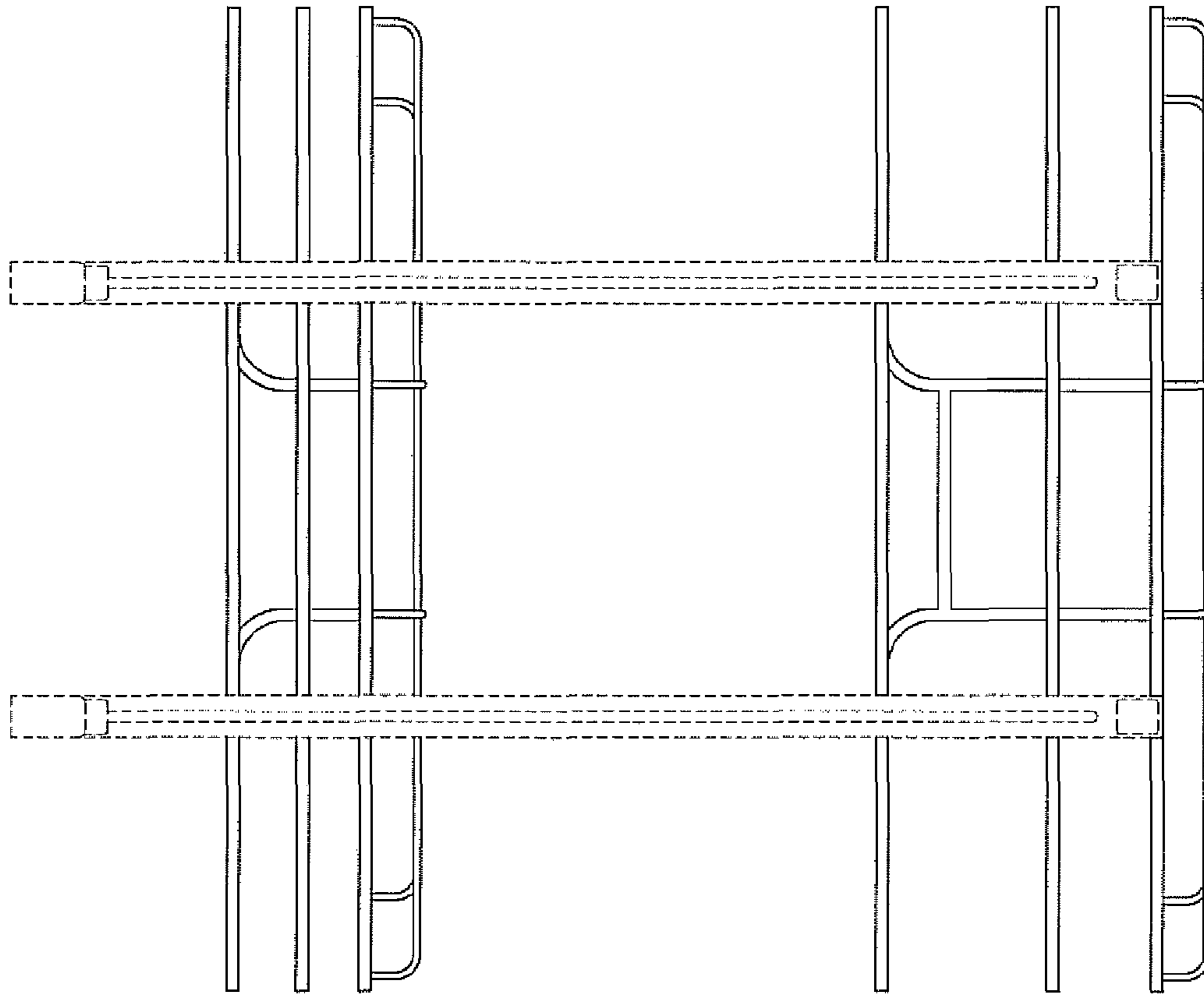


Fig. 4.

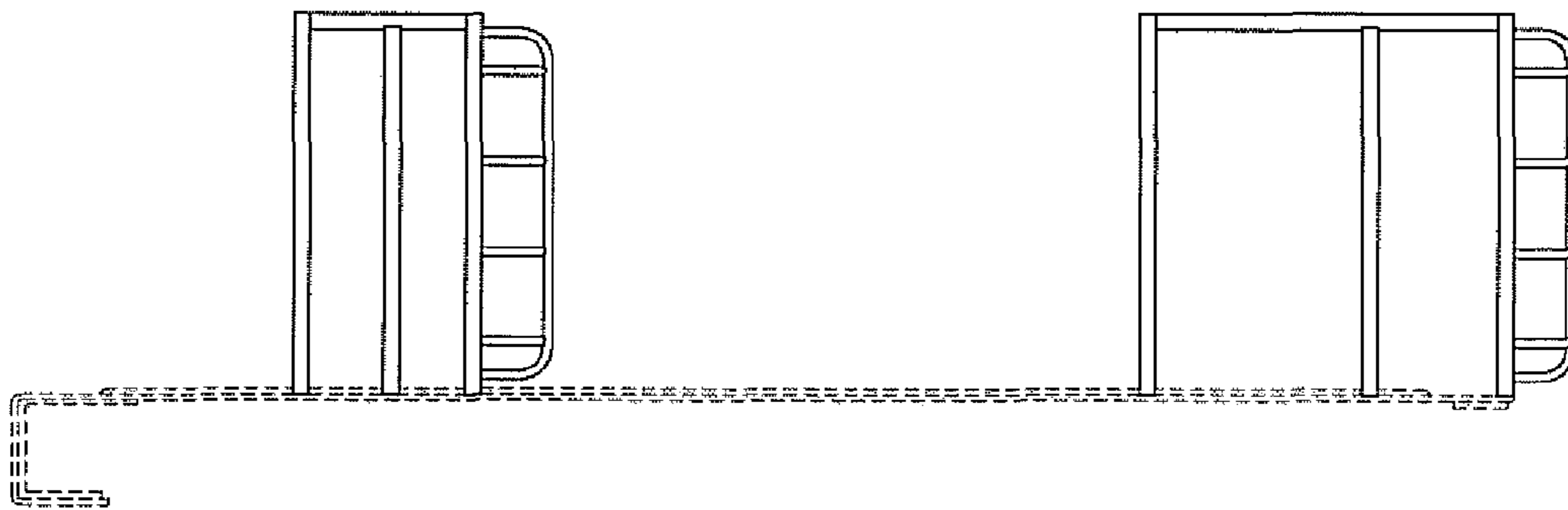


Fig. 3.

Fig. 5.

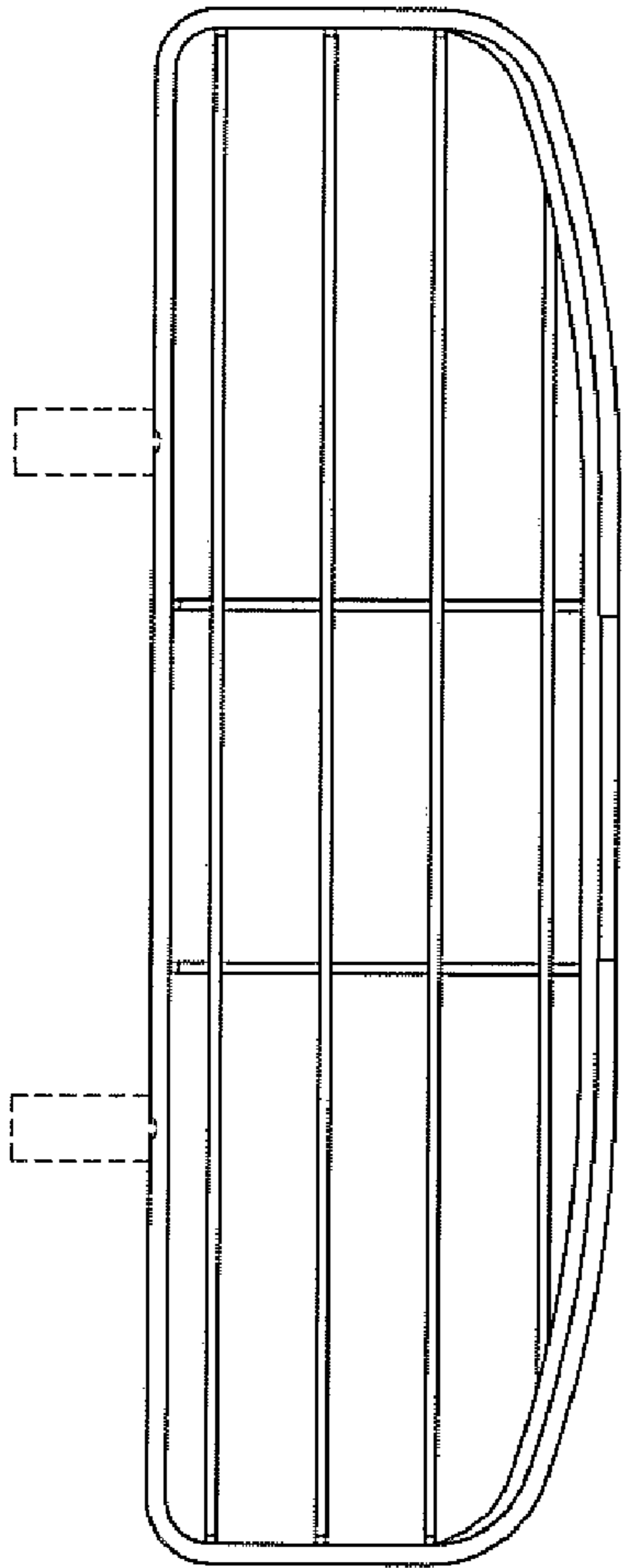


Fig. 6.

