



US00D627968S

(12) **United States Design Patent**
Brunner

(10) **Patent No.:** **US D627,968 S**

(45) **Date of Patent:** **** Nov. 30, 2010**

(54) **TOOL BOX**

(75) Inventor: **Yaron Brunner**, Timrat (IL)

(73) Assignee: **Keter Plastic Ltd.**, Herzelyia (IL)

(**) Term: **14 Years**

(21) Appl. No.: **29/355,888**

(22) Filed: **Feb. 16, 2010**

(51) **LOC (9) Cl.** **03-01**

(52) **U.S. Cl.** **D3/281; D3/905**

(58) **Field of Classification Search** D3/272-273,
D3/276, 281-282, 291, 294, 302, 307, 905;
D9/420, 423-426, 429, 432; 190/19, 24;
206/349, 372-373; 312/902

See application file for complete search history.

(56) **References Cited**

U.S. PATENT DOCUMENTS

D306,096 S *	2/1990	Dickinson et al.	D3/281
D385,110 S *	10/1997	Yemini	D3/282
D404,916 S *	2/1999	Dickinson et al.	D3/281
D417,956 S *	12/1999	Story et al.	D3/295
D424,297 S *	5/2000	Story et al.	D3/281
D434,225 S *	11/2000	Story et al.	D3/281
D453,624 S *	2/2002	Itzkovitch	D3/276
D470,659 S *	2/2003	Story et al.	D3/291

D493,034 S *	7/2004	Bar-Erez	D3/295
D505,011 S *	5/2005	Einav	D3/274
7,017,740 B2 *	3/2006	Itzkovitch	206/372
D527,181 S *	8/2006	Henning et al.	D3/276

* cited by examiner

Primary Examiner—Charles A Rademaker

Assistant Examiner—Charles D Hanson

(74) *Attorney, Agent, or Firm*—The Nath Law Group; Derek Richmond; Jiaziao Zhang

(57) **CLAIM**

The ornamental design for a tool box, as shown and described.

DESCRIPTION

FIG. 1 is an elevated front perspective view of the tool box showing a handle in an opened and upright position;

FIG. 2 is an elevated rear perspective view of the tool box;

FIG. 3 is a front view of the tool box;

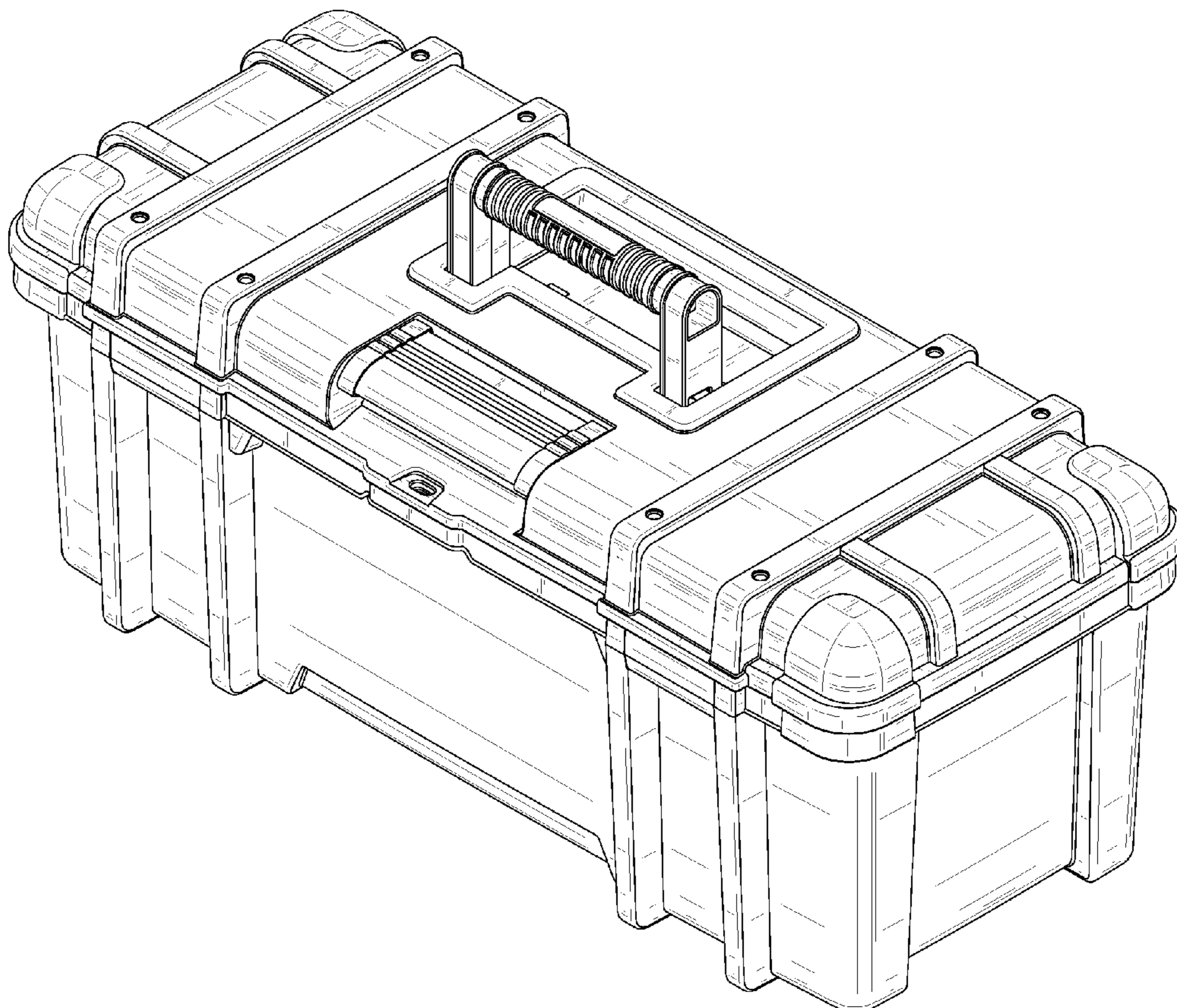
FIG. 4 is a rear view of the tool box;

FIG. 5 is a left side view of the tool box;

FIG. 6 is a right side view of the tool box; and,

FIG. 7 is a top view of the tool box.

1 Claim, 6 Drawing Sheets



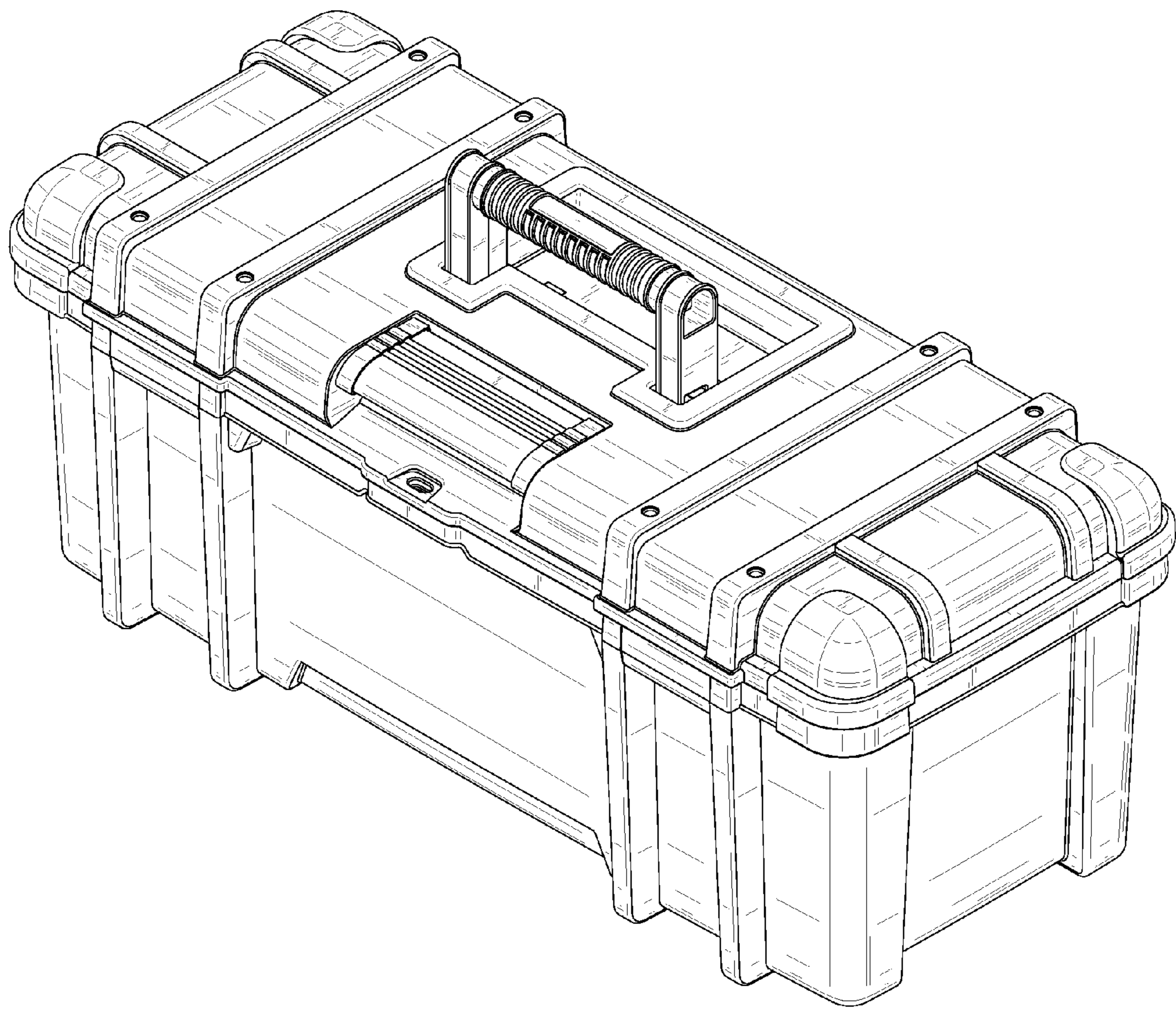


FIG. 1

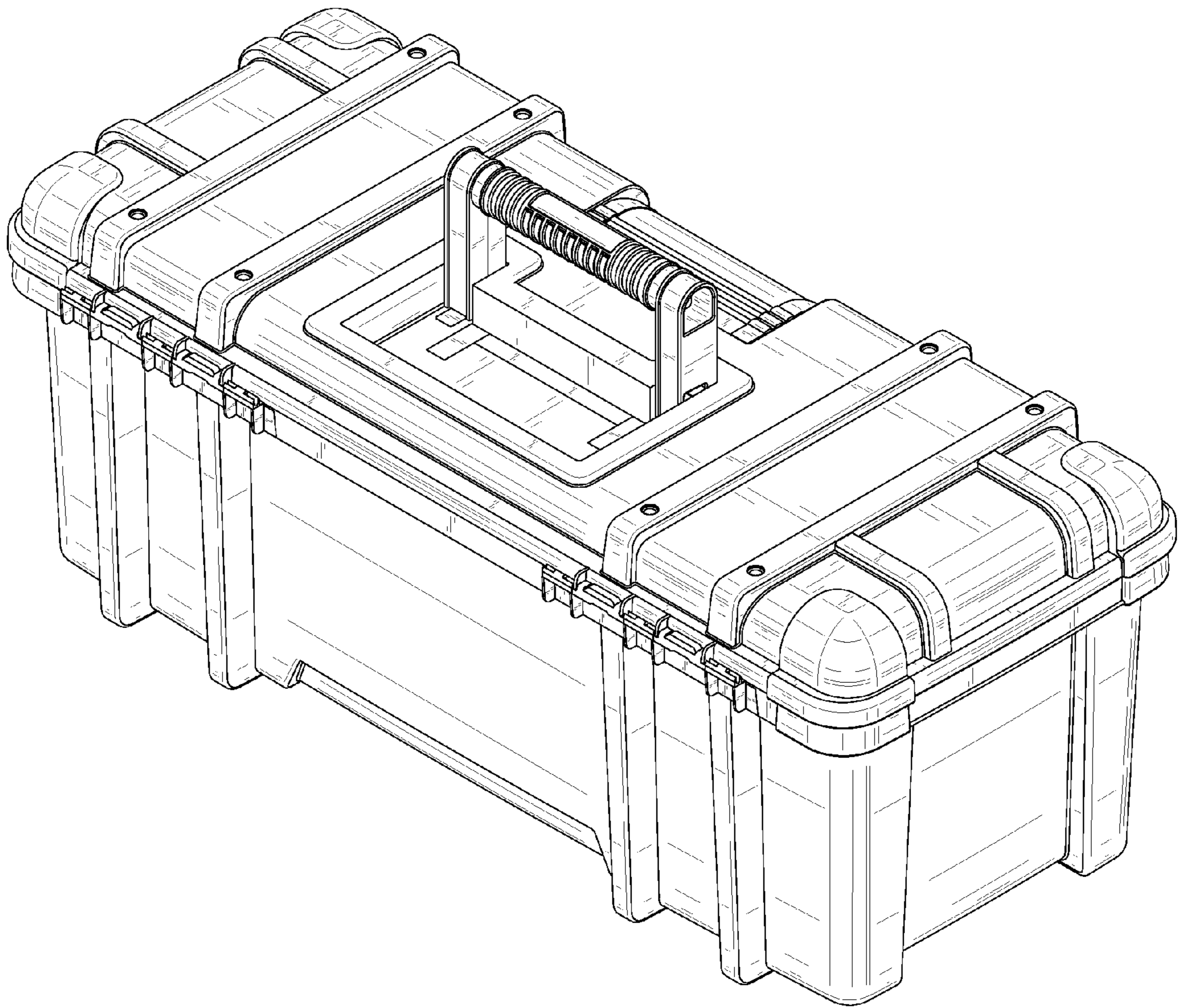


FIG. 2

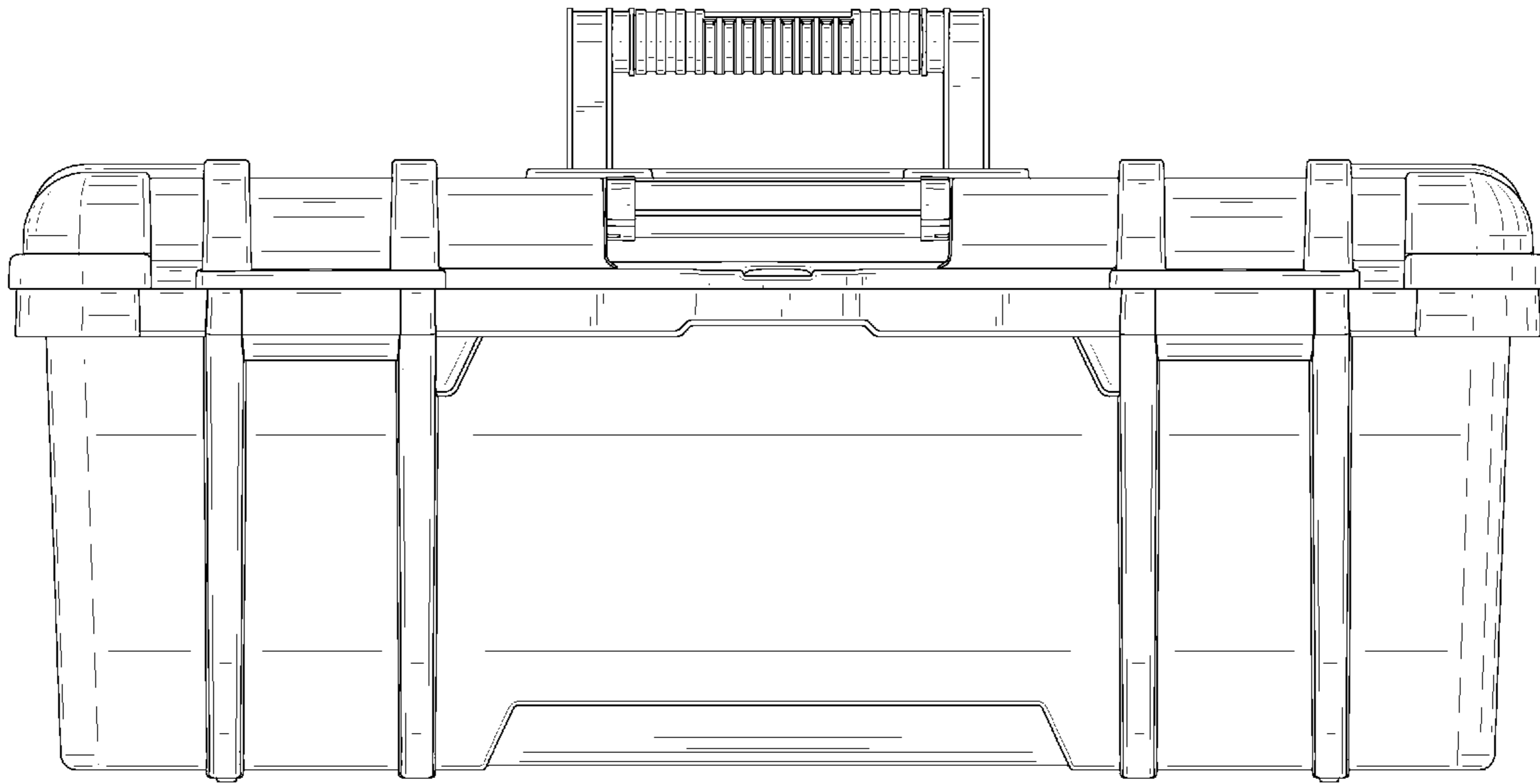


FIG. 3

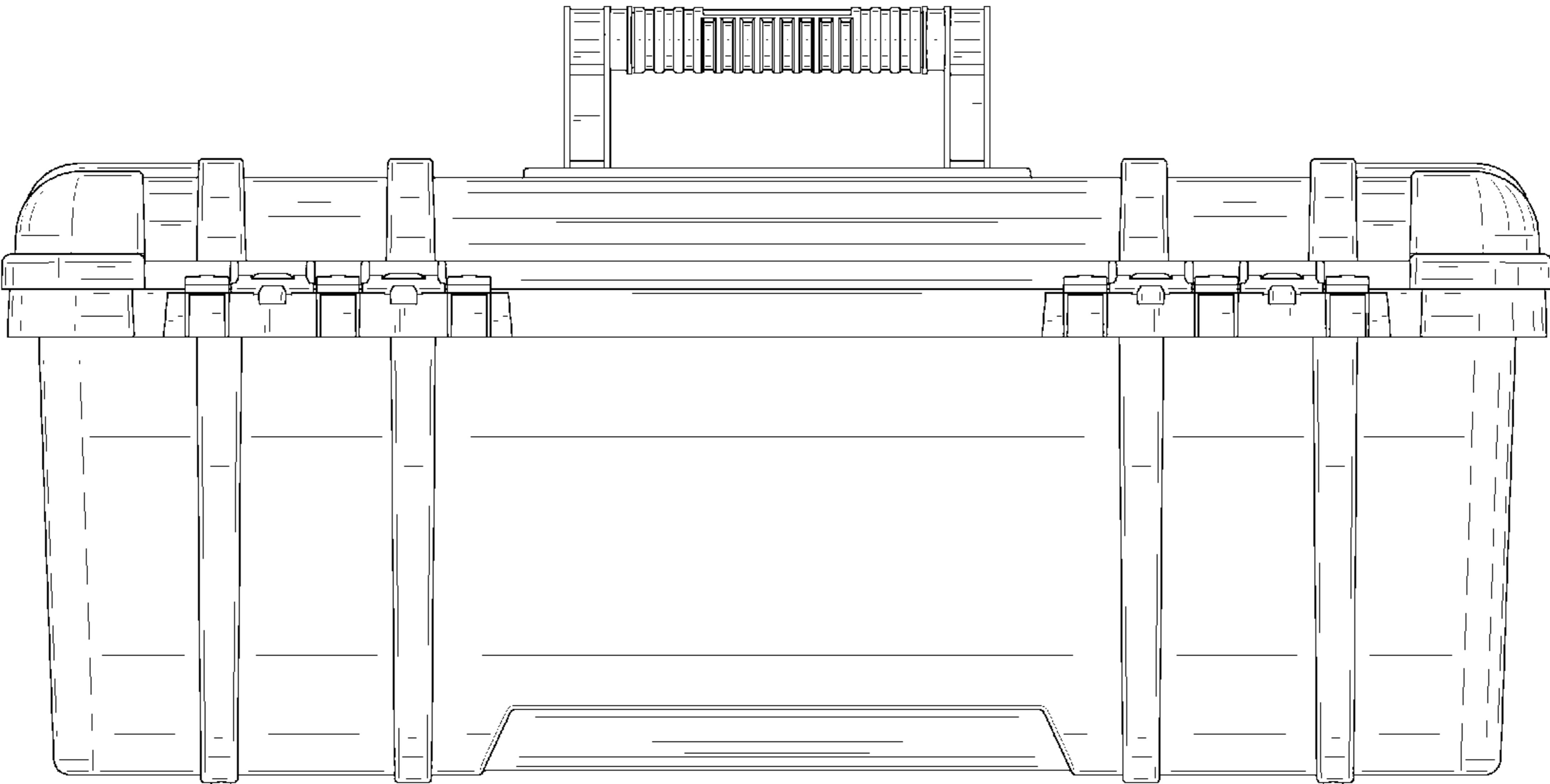


FIG. 4

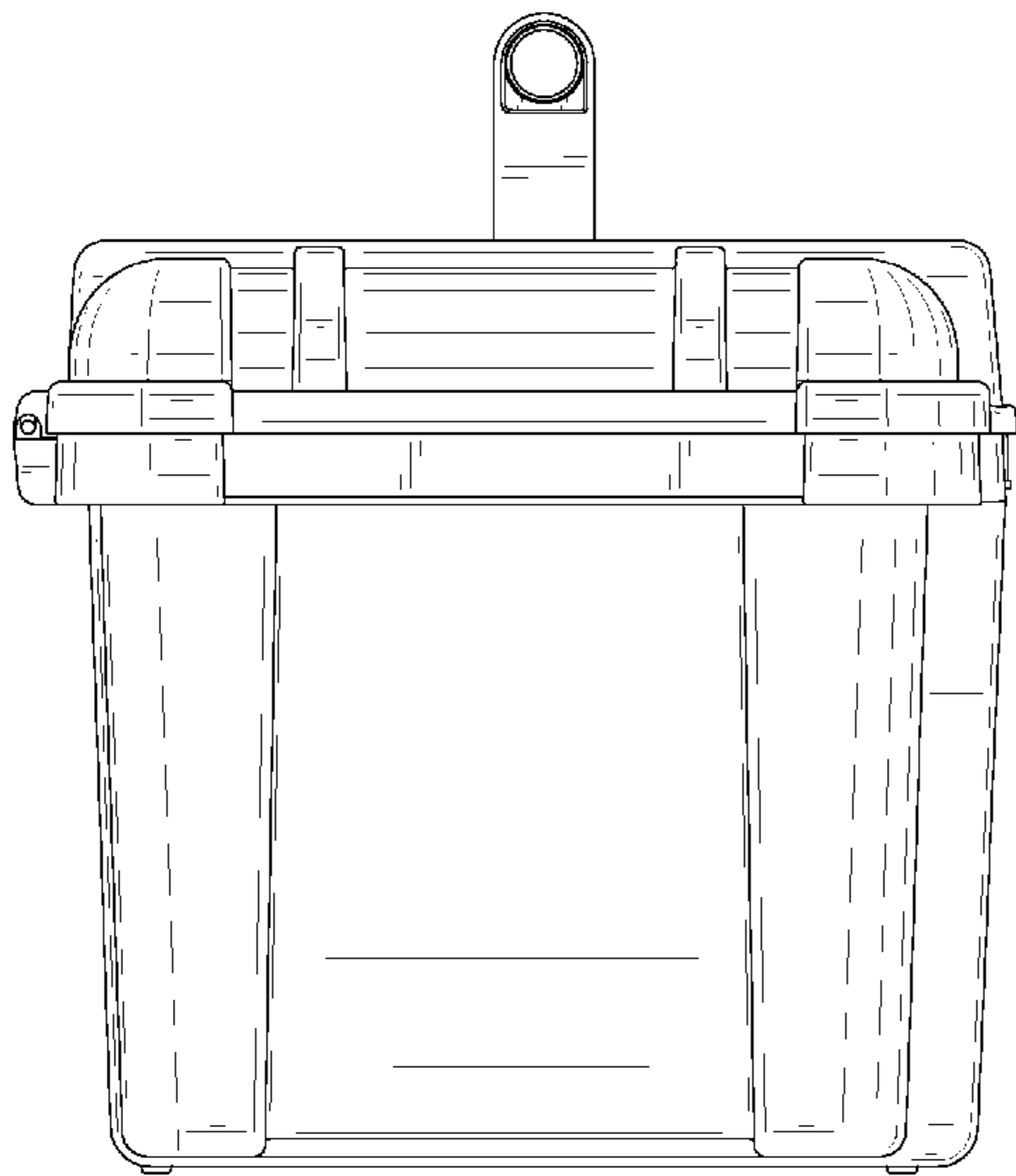


FIG. 5

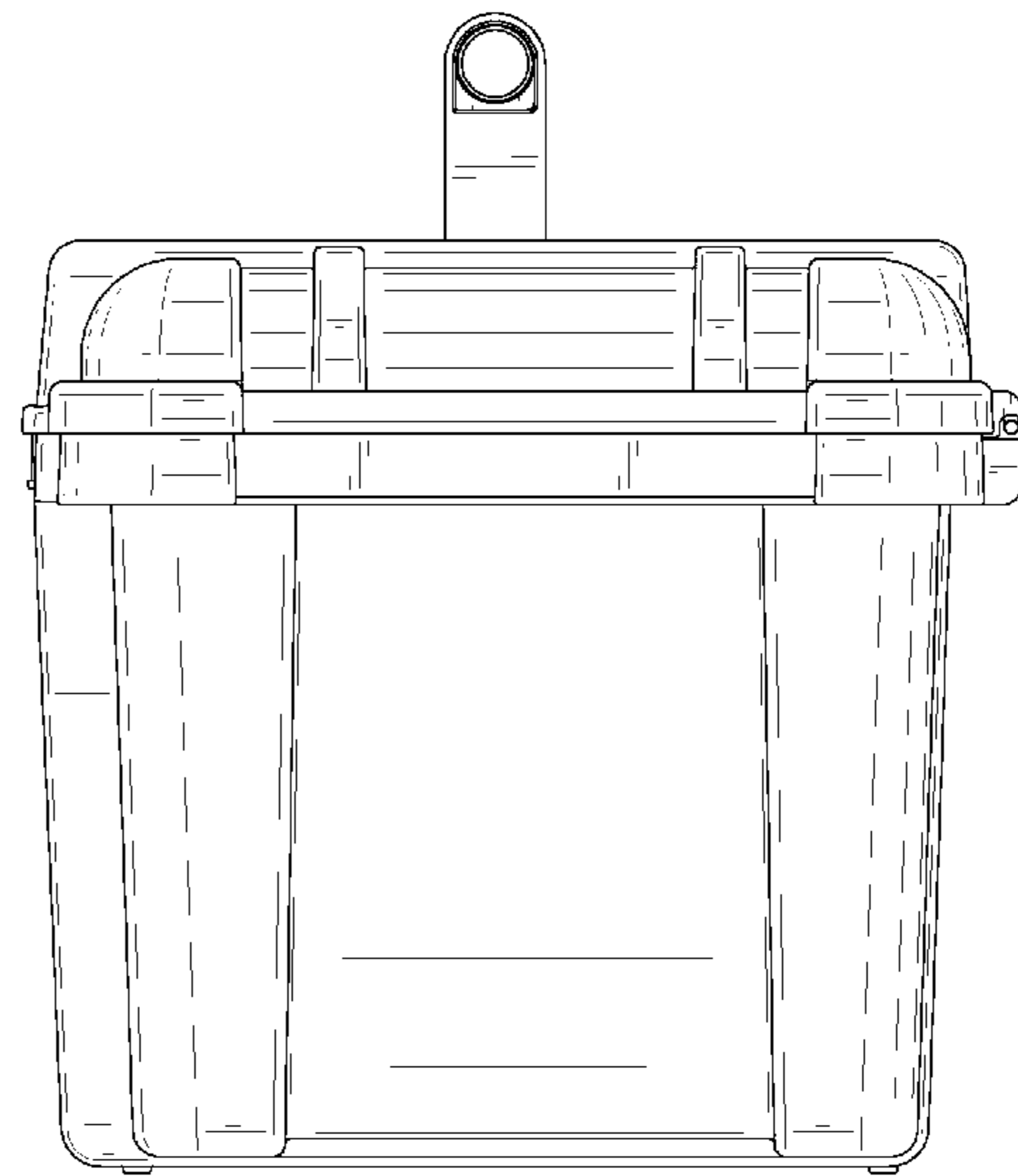


FIG. 6

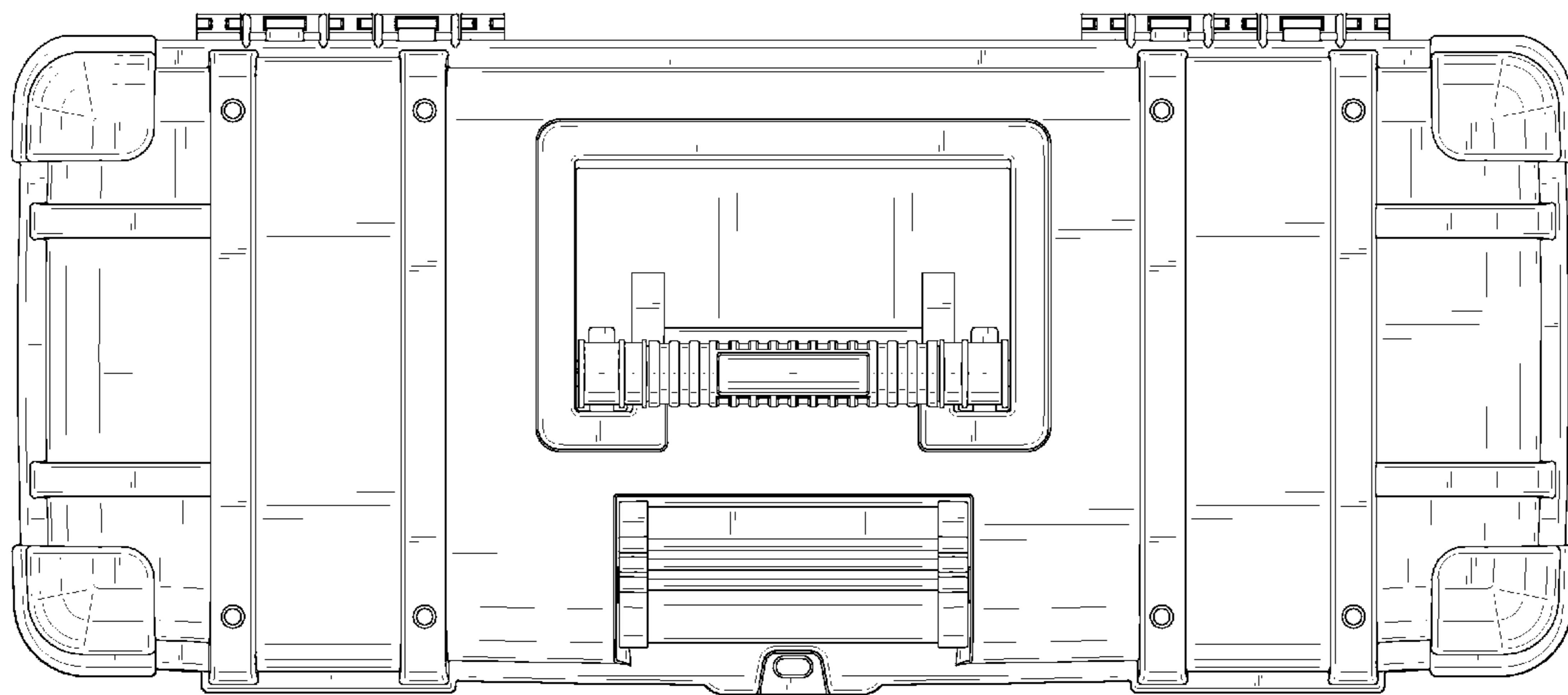


FIG. 7