



US00D627967S

(12) **United States Design Patent**
Kuhls

(10) **Patent No.:** **US D627,967 S**

(45) **Date of Patent:** **** Nov. 30, 2010**

(54) **STORAGE BOX**

(75) Inventor: **Timo Kuhls**, Stuttgart (DE)

(73) Assignee: **TTS Tooltechnic Systems AG & Co. KG**, Wendlingen (DE)

(**) Term: **14 Years**

(21) Appl. No.: **29/349,068**

(22) Filed: **Mar. 5, 2010**

(30) **Foreign Application Priority Data**

Dec. 21, 2009 (WO) 526558901

(51) **LOC (9) Cl.** **03-01**

(52) **U.S. Cl.** **D3/273**

(58) **Field of Classification Search** D3/201,
D3/273, 274, 276, 283, 284, 294, 295, 303,
D3/318, 321, 323, 905; 190/19, 102, 109,
190/110, 111, 121, 124; 206/349

See application file for complete search history.

(56) **References Cited**

U.S. PATENT DOCUMENTS

D220,292 S * 3/1971 Sottsass, Jr. D18/2
4,781,314 A * 11/1988 Schoonover et al. 222/465.1
4,923,098 A * 5/1990 Schoonover et al. 222/465.1
D311,819 S * 11/1990 Takeuchi D3/292
5,299,710 A * 4/1994 Welsch et al. 220/675
D393,369 S * 4/1998 Tanji D3/323
D394,550 S * 5/1998 Tanji D3/273
D439,048 S * 3/2001 Sanderson D3/302

D440,401 S 4/2001 Pauser et al.
D448,565 S * 10/2001 Sanderson D3/302
D471,711 S * 3/2003 Addison D3/281
D503,042 S * 3/2005 Gutierrez et al. D3/302
7,222,745 B2 * 5/2007 Gutierrez et al. 220/675
D601,797 S * 10/2009 Wenchel et al. D3/294
2010/0108549 A1 * 5/2010 Eggers et al. 206/349

FOREIGN PATENT DOCUMENTS

EP 2 020 188 A1 * 7/2007
WO DM/022719 4/1992

* cited by examiner

Primary Examiner—Elizabeth A Albert

Assistant Examiner—Karen E Eldridge Powers

(74) *Attorney, Agent, or Firm*—Hoffmann & Baron, LLP

(57) **CLAIM**

The ornamental design for a storage box, as shown and described.

DESCRIPTION

FIG. 1 is a top perspective view of a storage box showing my new design;

FIG. 2 is a top plan view thereof;

FIG. 3 is a bottom plan view thereof;

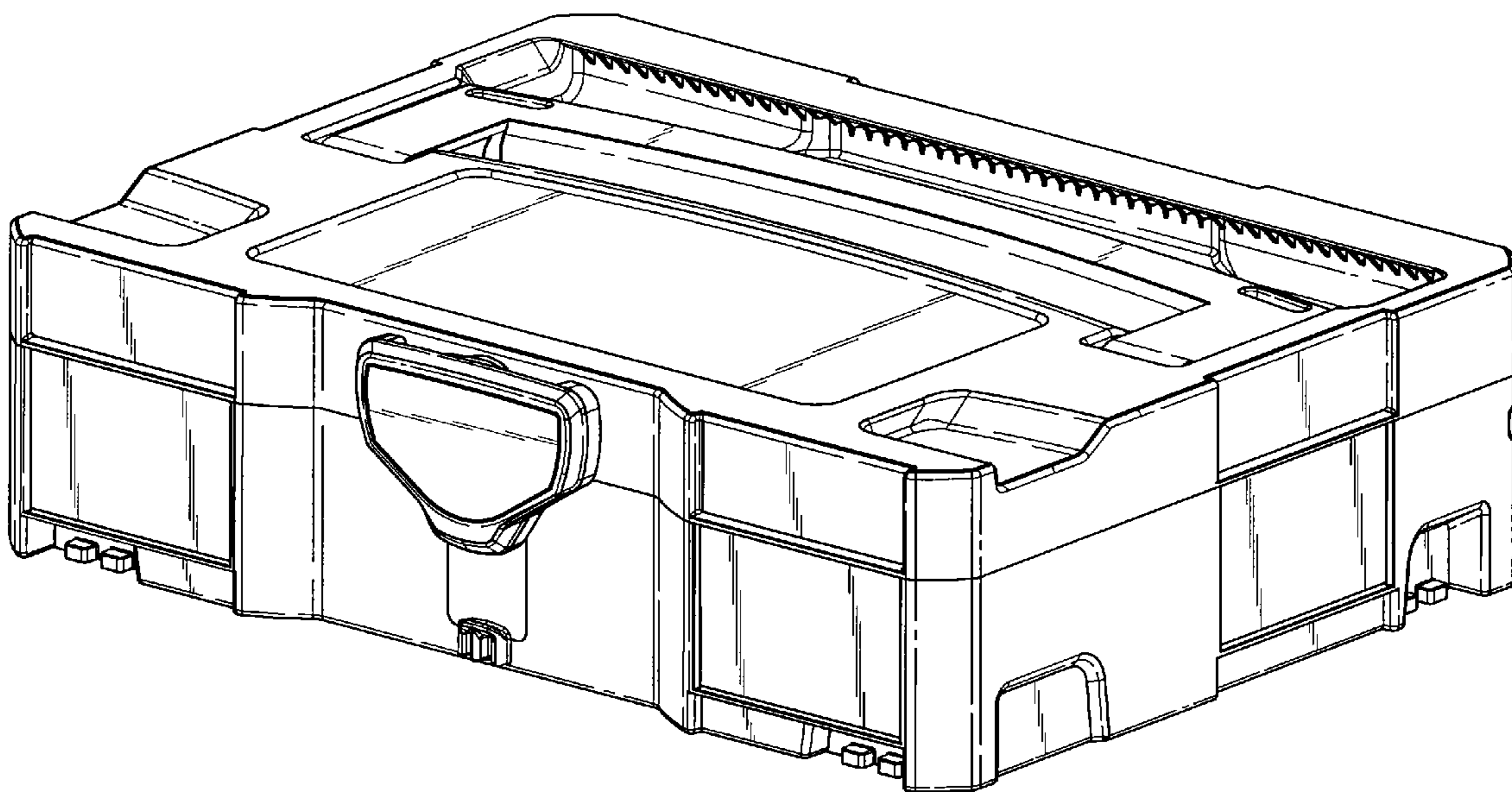
FIG. 4 is a front view thereof;

FIG. 5 is a rear view thereof;

FIG. 6 is a right view thereof; and,

FIG. 7 is a left view thereof.

1 Claim, 5 Drawing Sheets



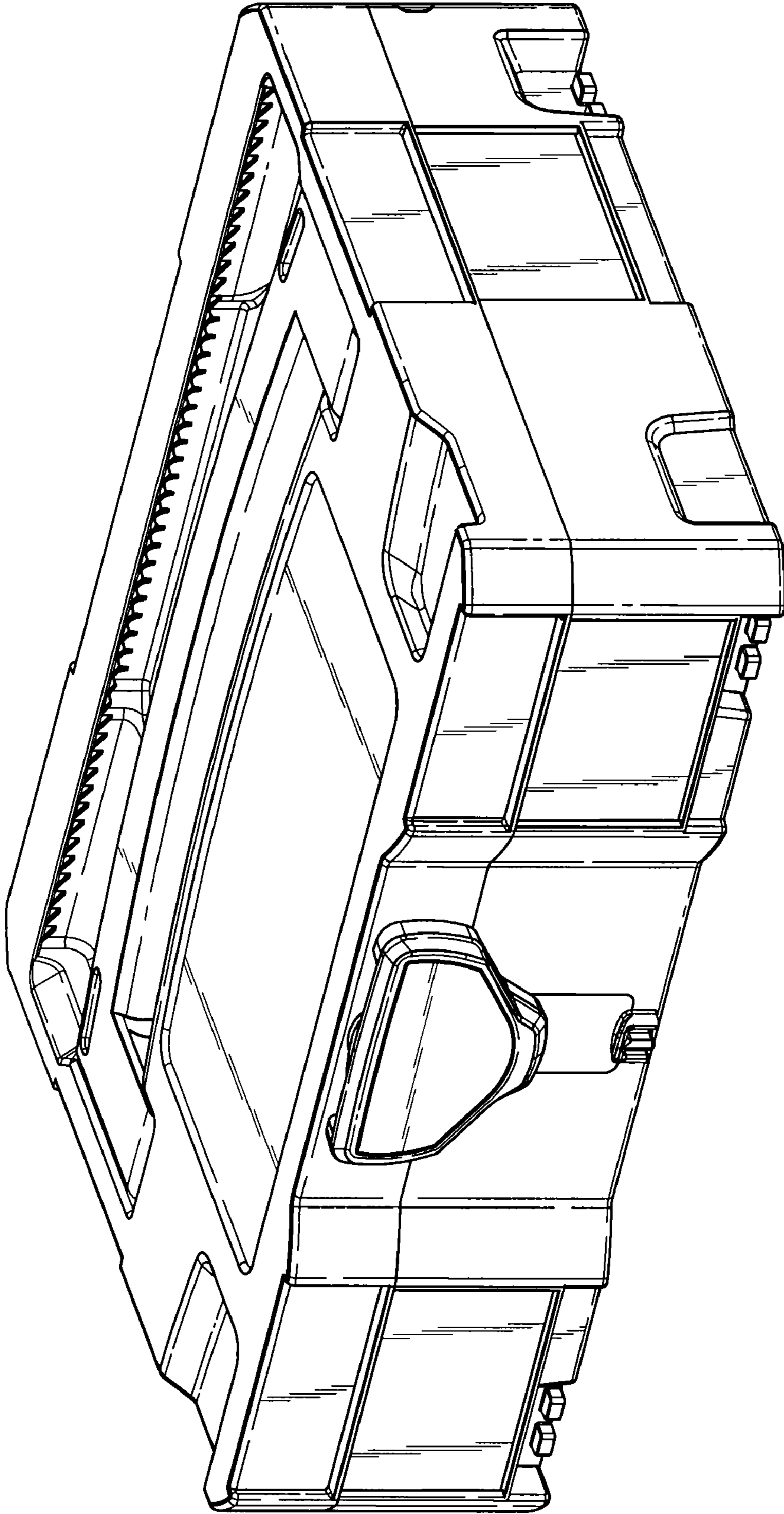


FIG. 1

FIG. 2

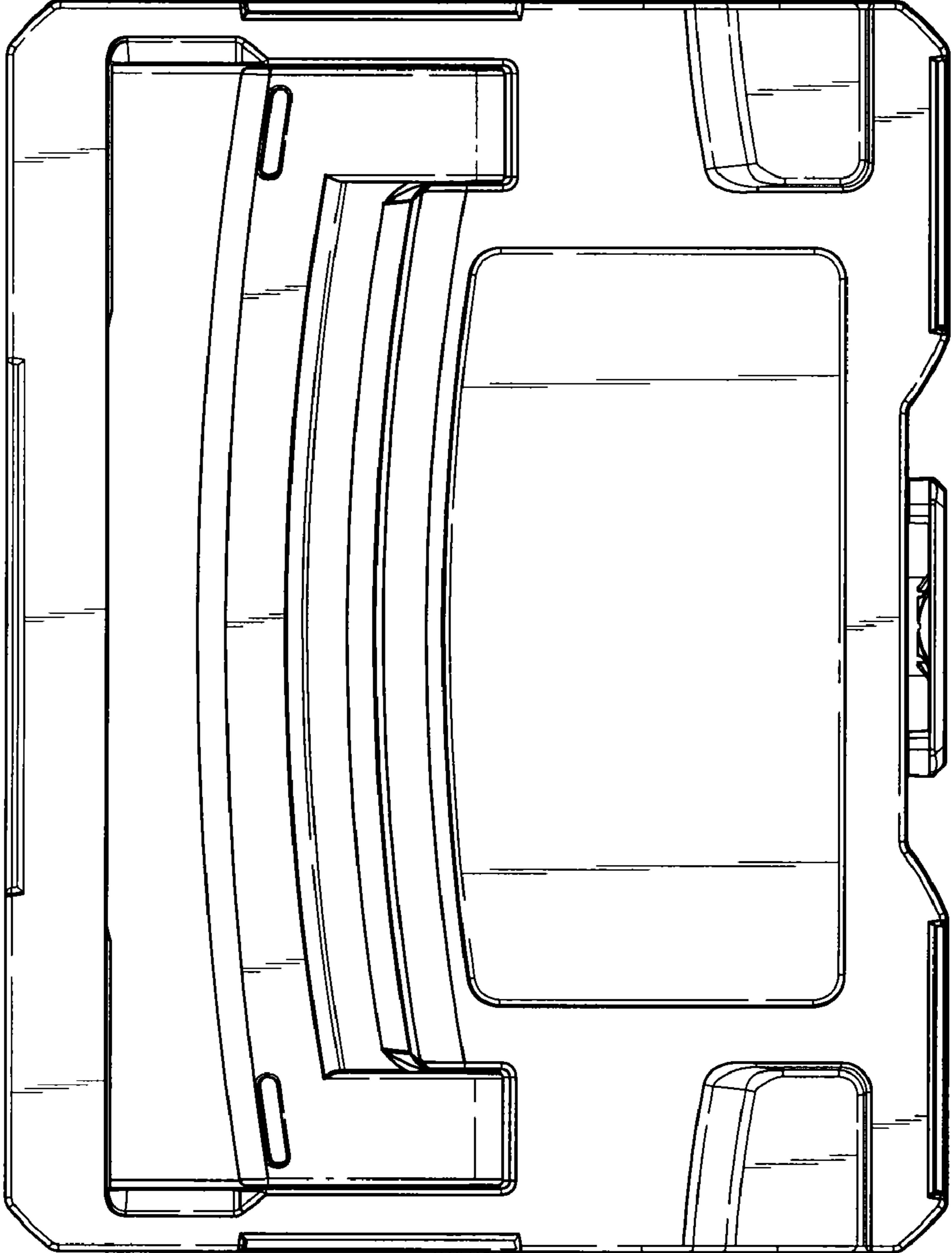


FIG. 3

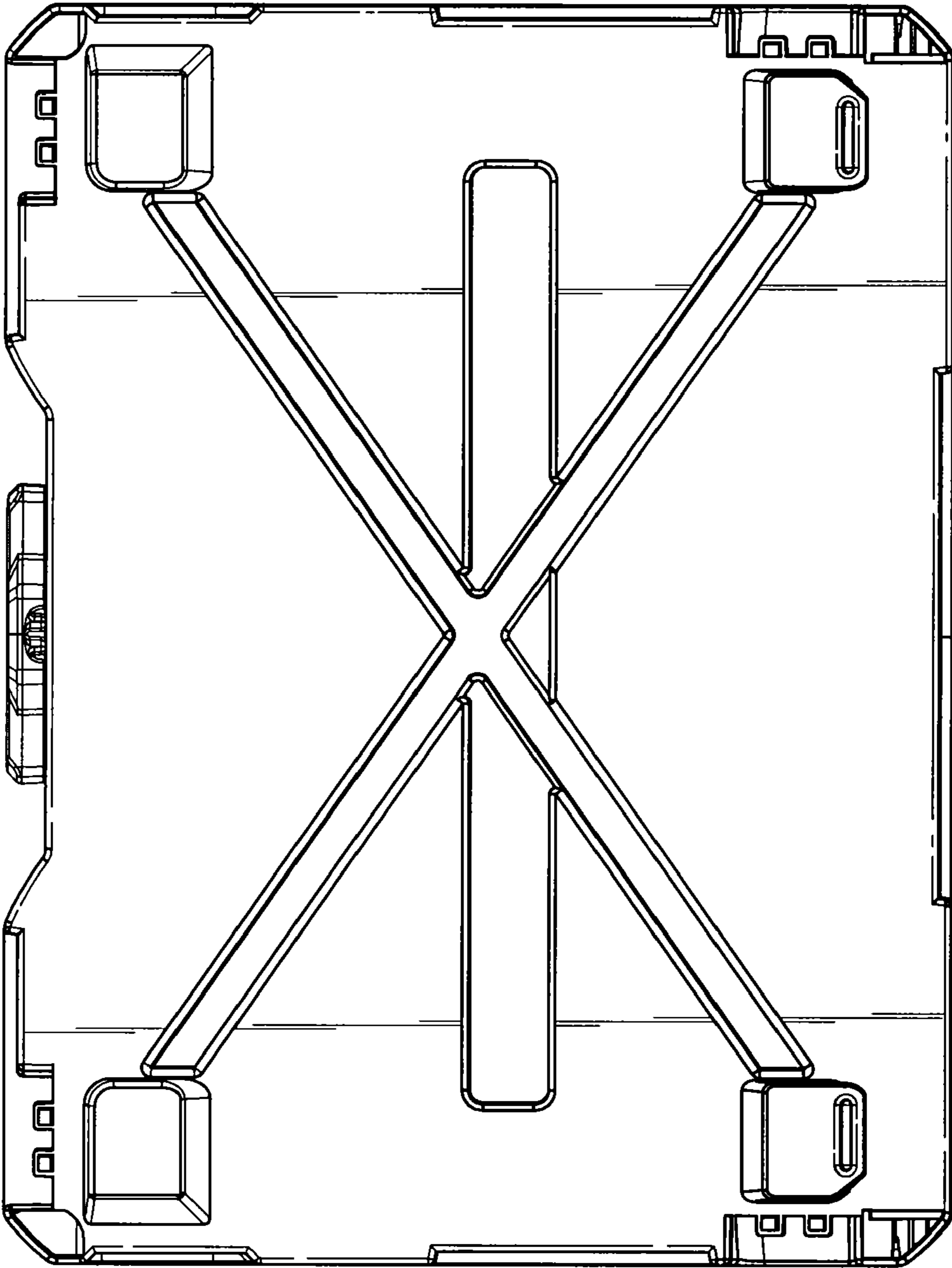


FIG. 4

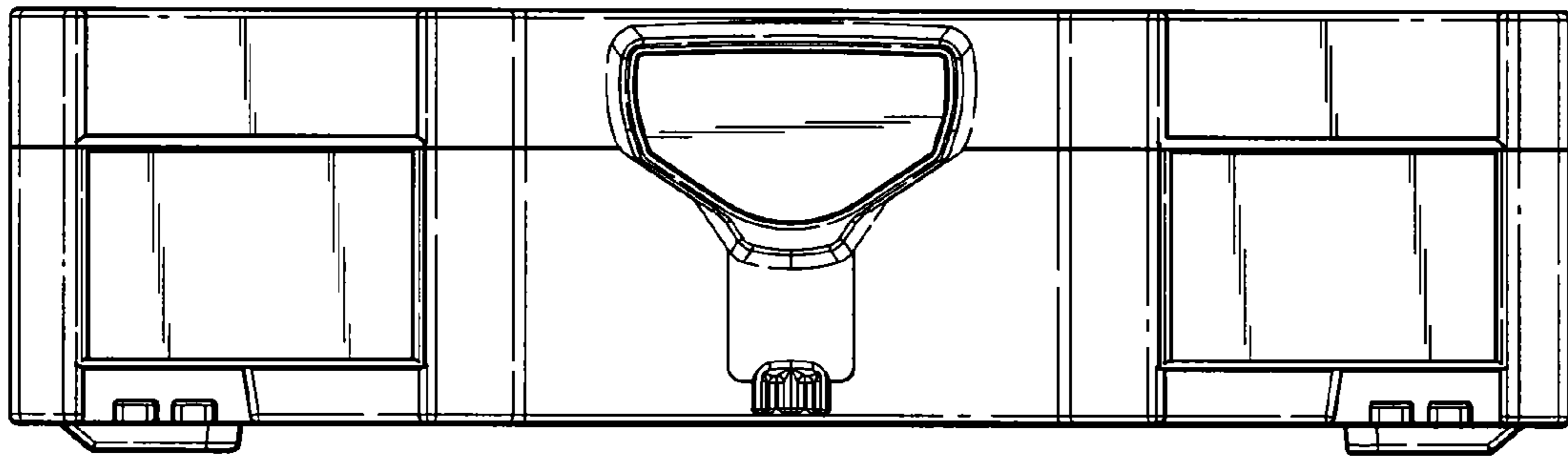


FIG. 5

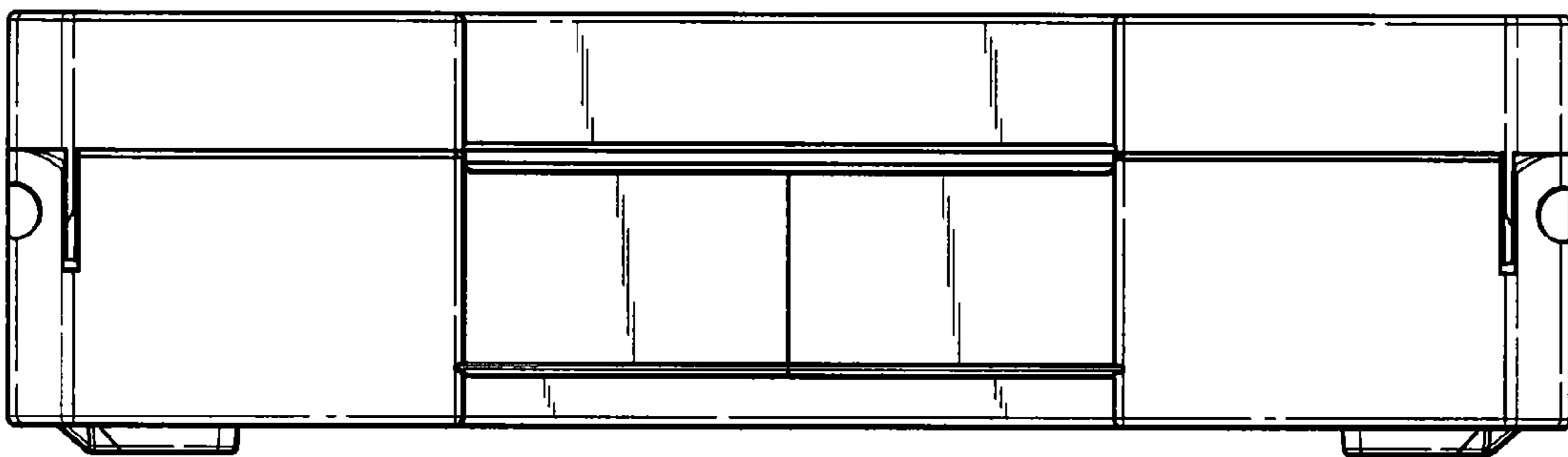


FIG. 6

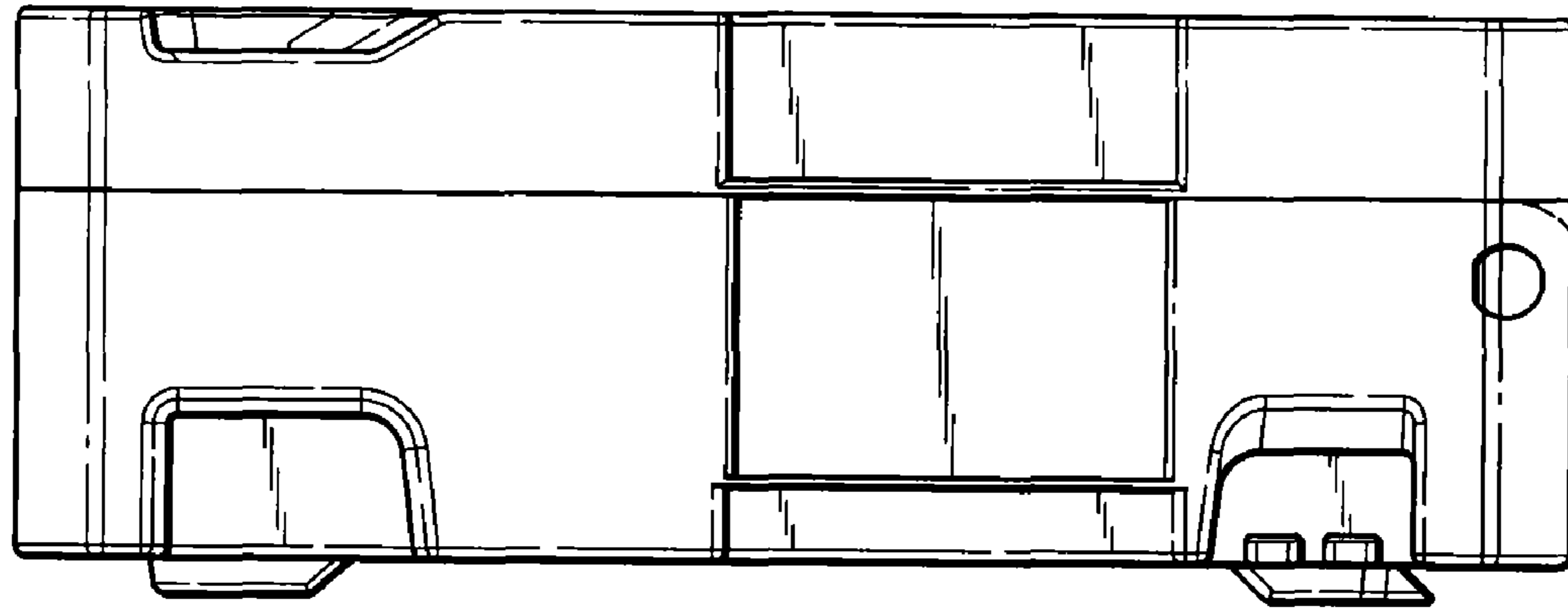


FIG. 7

