



US00D627966S

(12) **United States Design Patent**  
**Brown**

(10) **Patent No.:** **US D627,966 S**

(45) **Date of Patent:** **\*\* Nov. 30, 2010**

(54) **GOLF CLUB CONTAINER**

(76) Inventor: **Bret R. Brown**, 2709 Knoll Ct.,  
Highland Village, TX (US) 75077

(\*\*) Term: **14 Years**

(21) Appl. No.: **29/358,819**

(22) Filed: **Apr. 1, 2010**

**Related U.S. Application Data**

(63) Continuation of application No. 11/465,146, filed on  
Aug. 17, 2006, now abandoned.

(51) **LOC (9) Cl.** ..... **03-01**

(52) **U.S. Cl.** ..... **D3/255**

(58) **Field of Classification Search** ..... D3/255,  
D3/254, 259, 272-273, 276, 279; 206/315.1-315.6;  
D34/15; D12/407; 280/202; 224/423, 431,  
224/450, 452; 211/70.2

See application file for complete search history.

(56) **References Cited**

**U.S. PATENT DOCUMENTS**

D282,303 S \* 1/1986 Jessen ..... D34/15  
5,207,361 A \* 5/1993 Slifka ..... 224/419  
D463,661 S \* 10/2002 Mullen ..... D3/255

D471,355 S \* 3/2003 Sanderson et al. .... D3/255  
D474,337 S \* 5/2003 Boardman et al. .... D3/255  
D491,724 S \* 6/2004 Sanderson ..... D3/255  
D508,606 S \* 8/2005 Hesmer ..... D3/255

\* cited by examiner

*Primary Examiner*—Catherine R Oliver

(74) *Attorney, Agent, or Firm*—Dale J. Ream

(57) **CLAIM**

The ornamental design for a golf club container, as shown and  
described.

**DESCRIPTION**

FIG. 1 is a perspective view of a golf club container showing  
my new design;

FIG. 2 is a front view thereof;

FIG. 3 is a rear view thereof;

FIG. 4 is a left side view thereof;

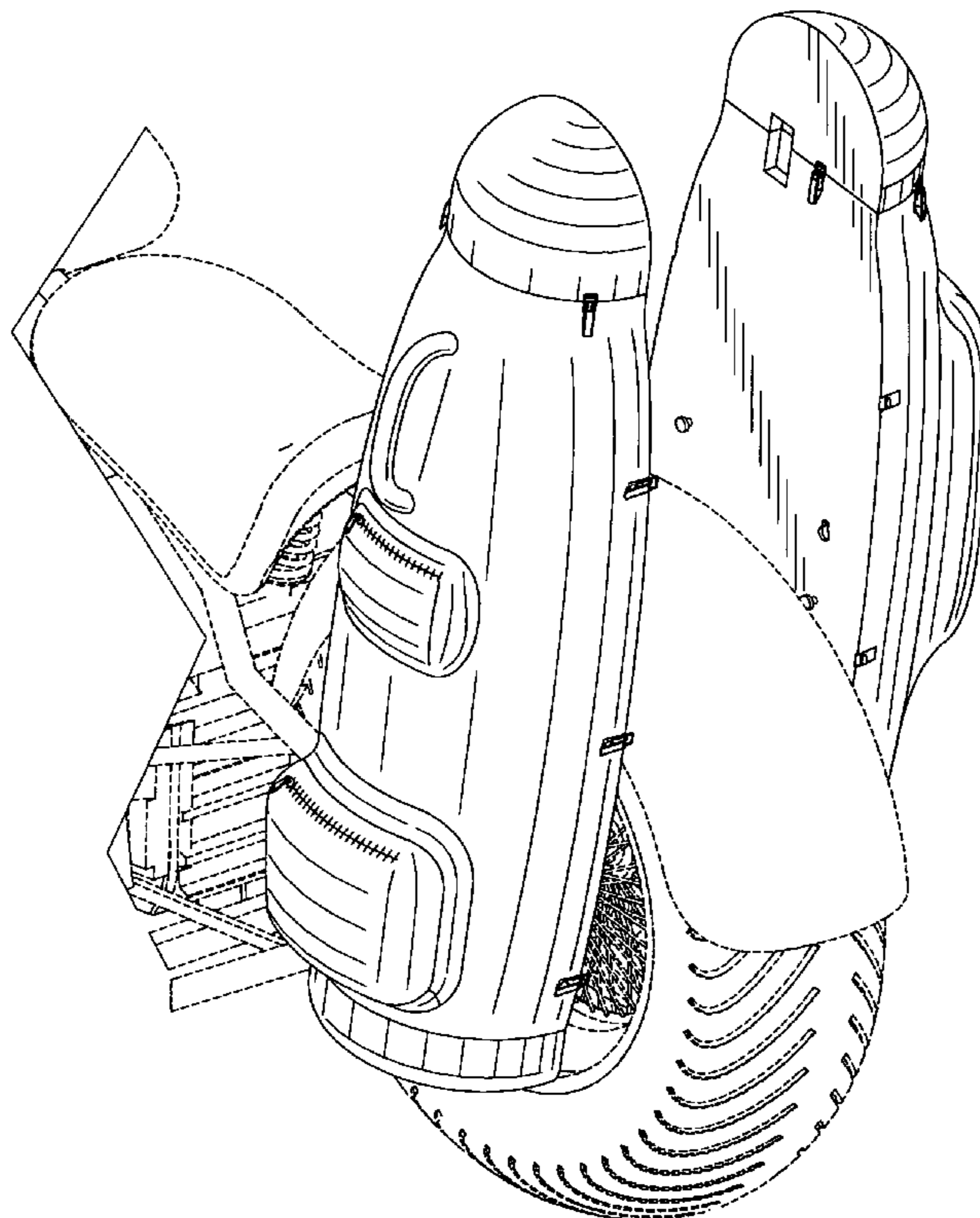
FIG. 5 is a right side view thereof;

FIG. 6 is a top view thereof; and,

FIG. 7 is a bottom view thereof.

In the drawings, the broken lines showing a motorcycle illus-  
trate environment and form no part of the claimed design.

**1 Claim, 6 Drawing Sheets**



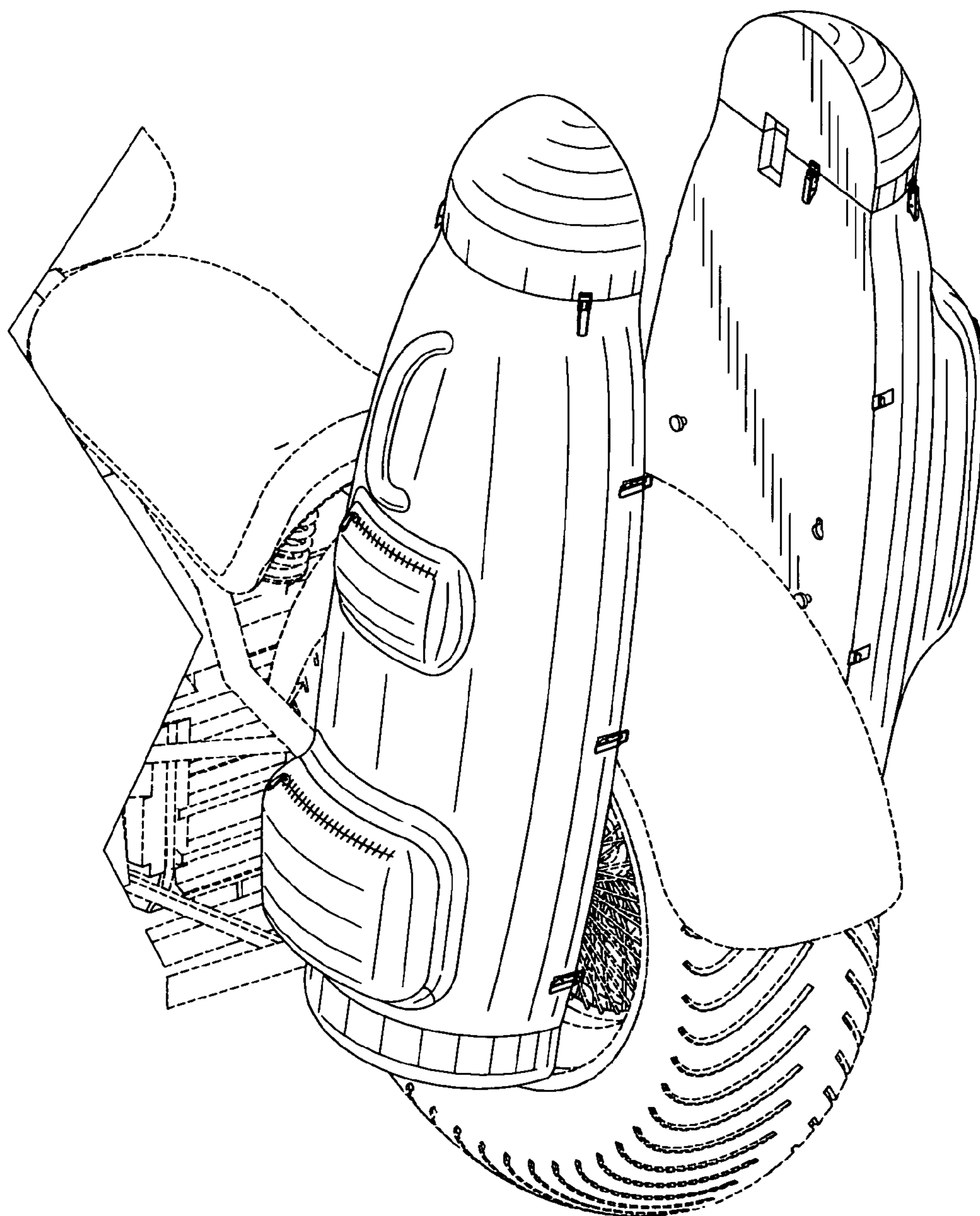


Fig. 1

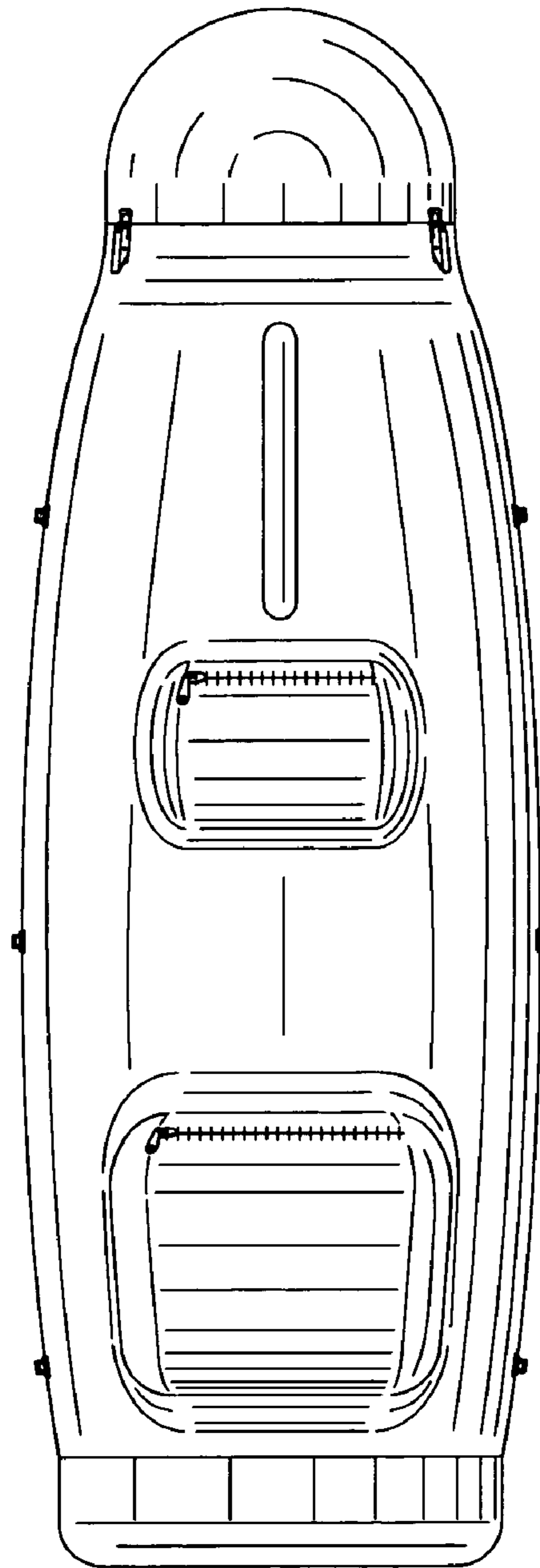


Fig. 2

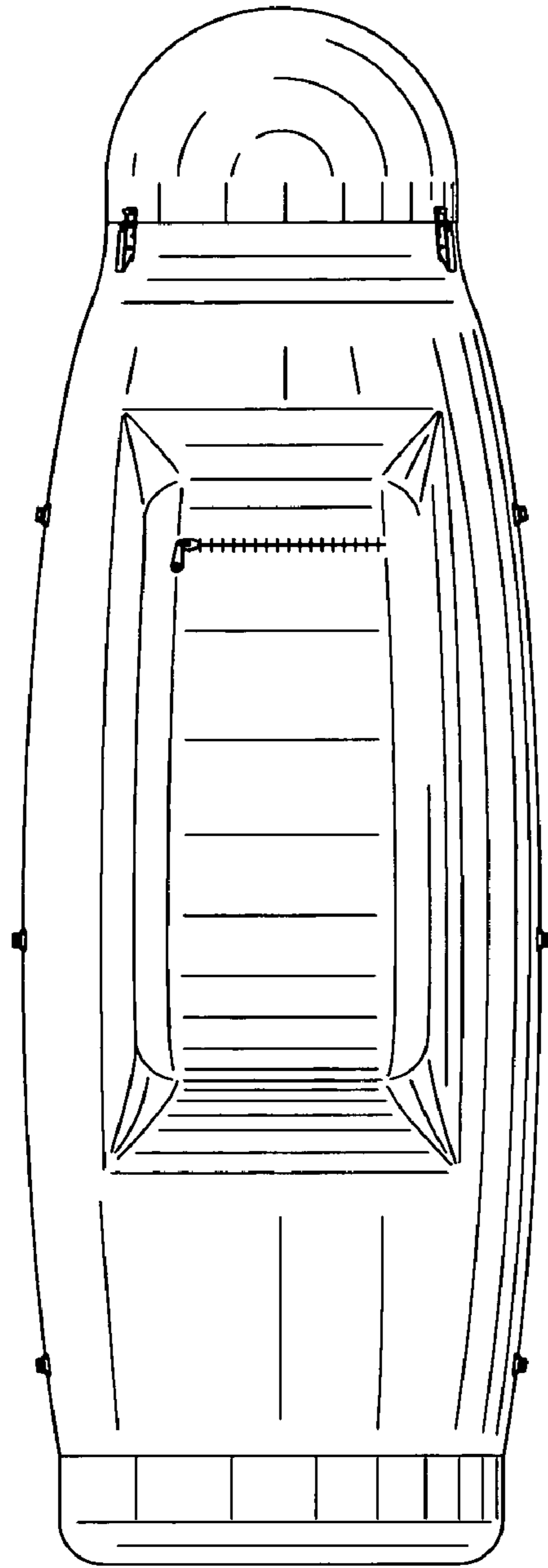


Fig. 3

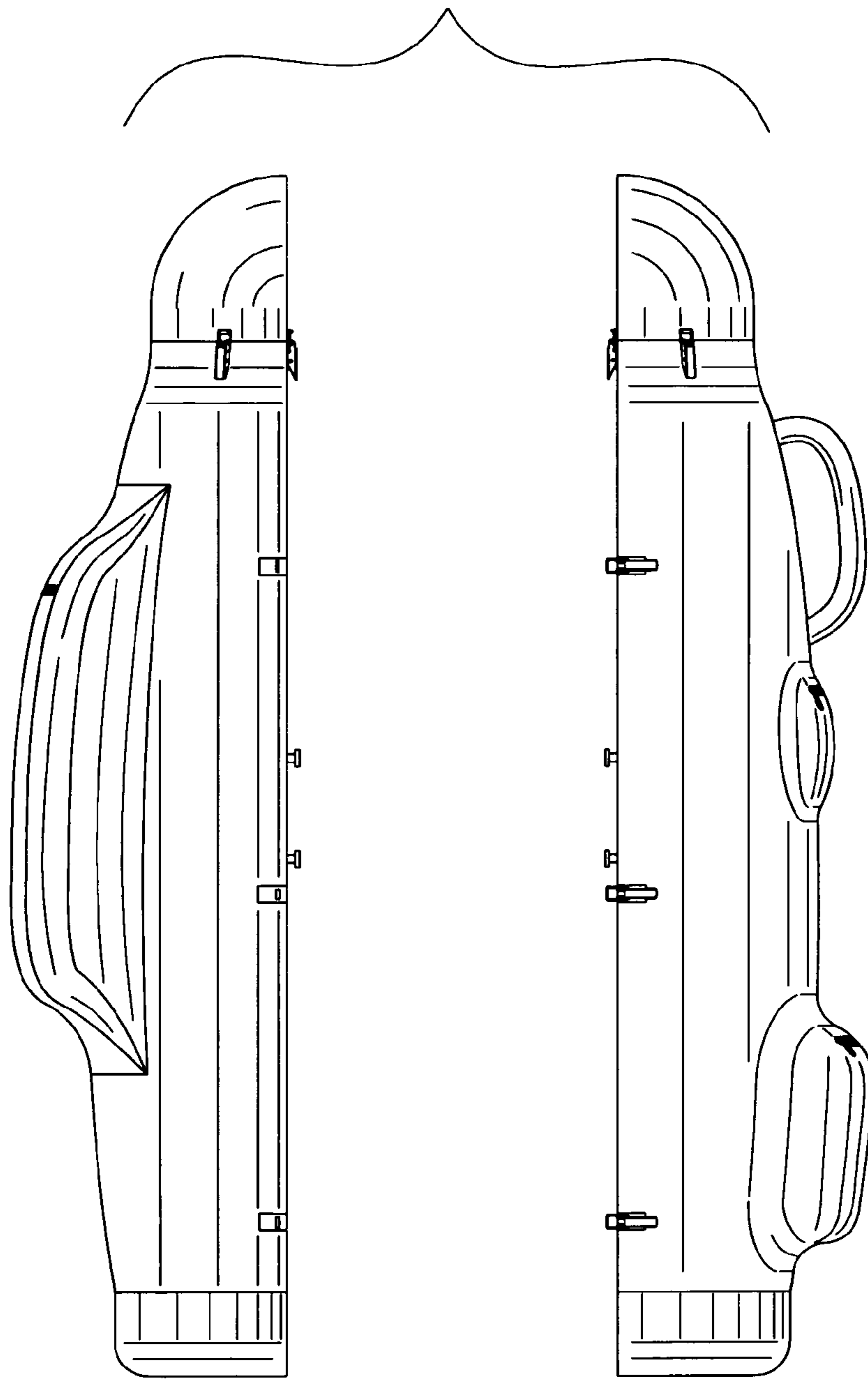


Fig. 4

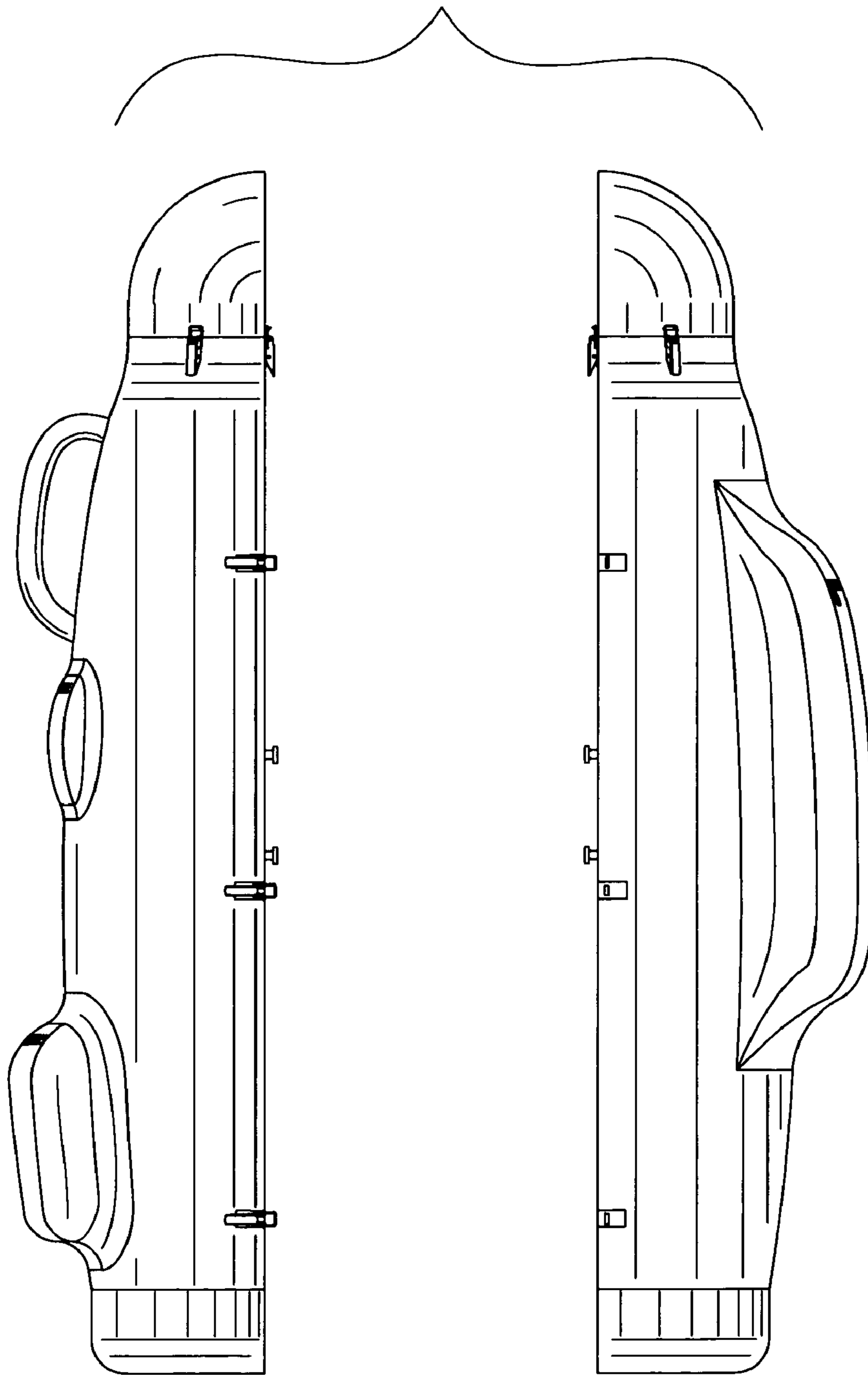


Fig. 5

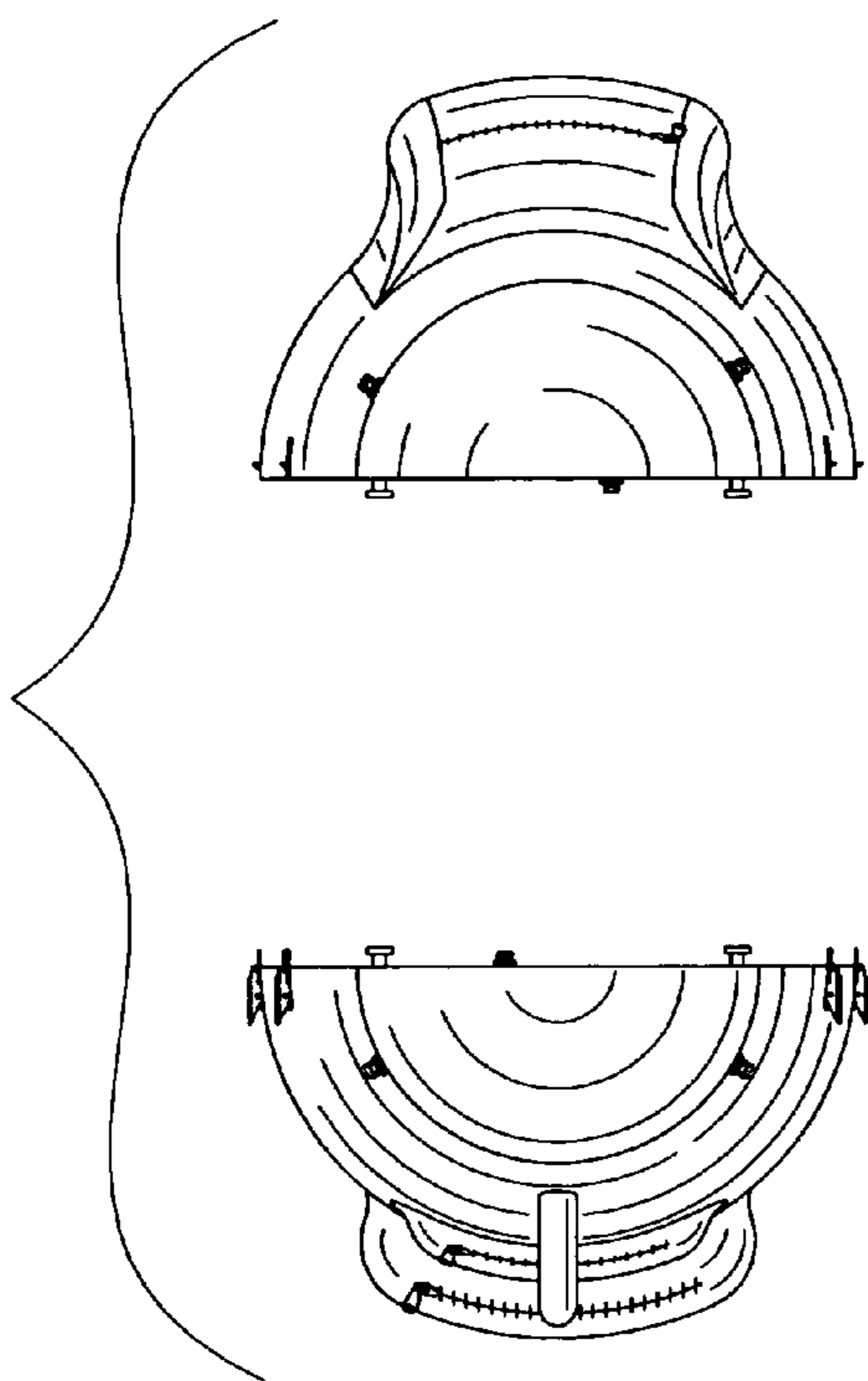


Fig. 6

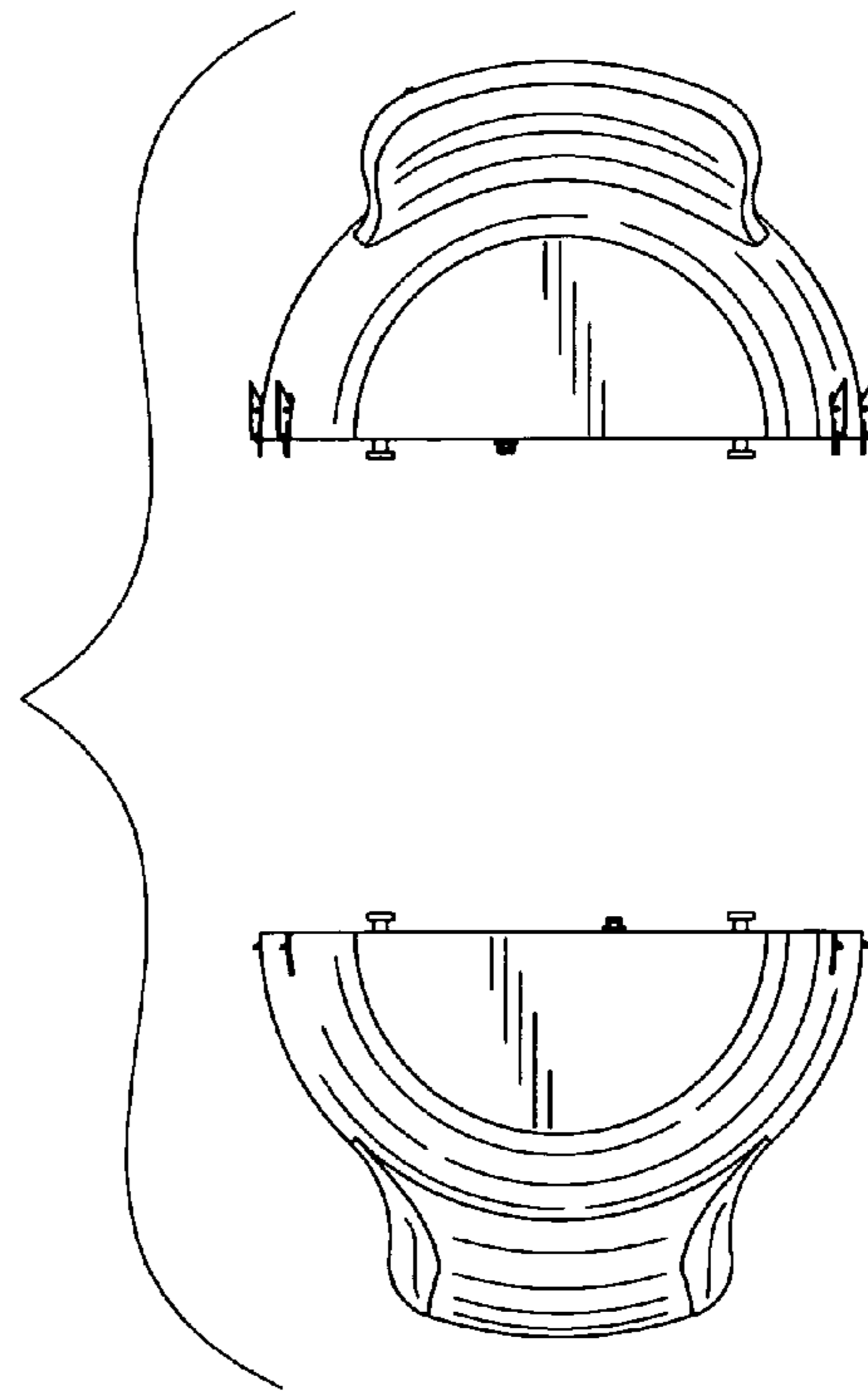


Fig. 7