



US00D627965S

(12) **United States Design Patent**
Berck

(10) **Patent No.:** **US D627,965 S**

(45) **Date of Patent:** **** Nov. 30, 2010**

(54) **CELL PHONE AND IPOD BAG WITH LOBSTER CLAW HOOK**

(74) *Attorney, Agent, or Firm*—QuickPatents, Inc.; Kevin Prince

(76) **Inventor:** **Lisa Dawn Berck**, 33349 Manchester Rd., Temecula, CA (US) 92592

(57) **CLAIM**

(**) **Term:** **14 Years**

What is claimed is the ornamental design for a cell phone and ipod bag with lobster claw hook, as shown and described.

(21) **Appl. No.:** **29/350,792**

DESCRIPTION

(22) **Filed:** **Nov. 24, 2009**

FIG. 1 is a perspective view of a cell phone and ipod bag with lobster claw hook, illustrating a first embodiment of the new design;

(51) **LOC (9) Cl.** **03-01**

(52) **U.S. Cl.** **D3/247**

(58) **Field of Classification Search** D3/247-252;
150/118-119, 131-132

FIG. 2 is a front elevational view thereof;

FIG. 3 is a rear elevational view thereof;

See application file for complete search history.

FIG. 4 is a right-side elevational view thereof;

FIG. 5 is a left-side elevational view thereof;

(56) **References Cited**

U.S. PATENT DOCUMENTS

D283,938 S * 5/1986 Strongwater D99/34

FIG. 6 is a top plan view thereof; and,

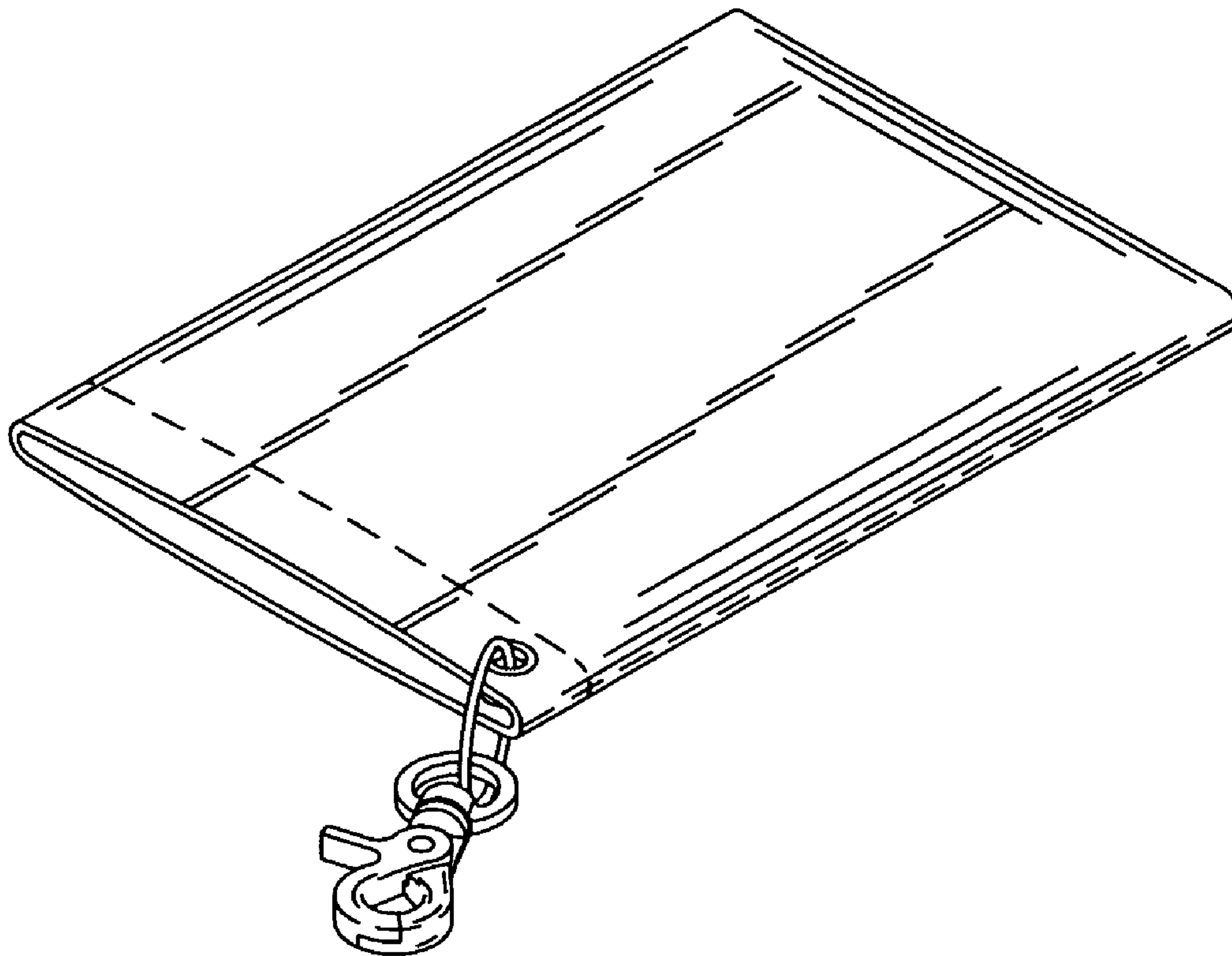
FIG. 7 is a bottom plan view thereof.

The broken line showing stitching is part of the claimed design.

* cited by examiner

Primary Examiner—Holly H Baynham

1 Claim, 2 Drawing Sheets



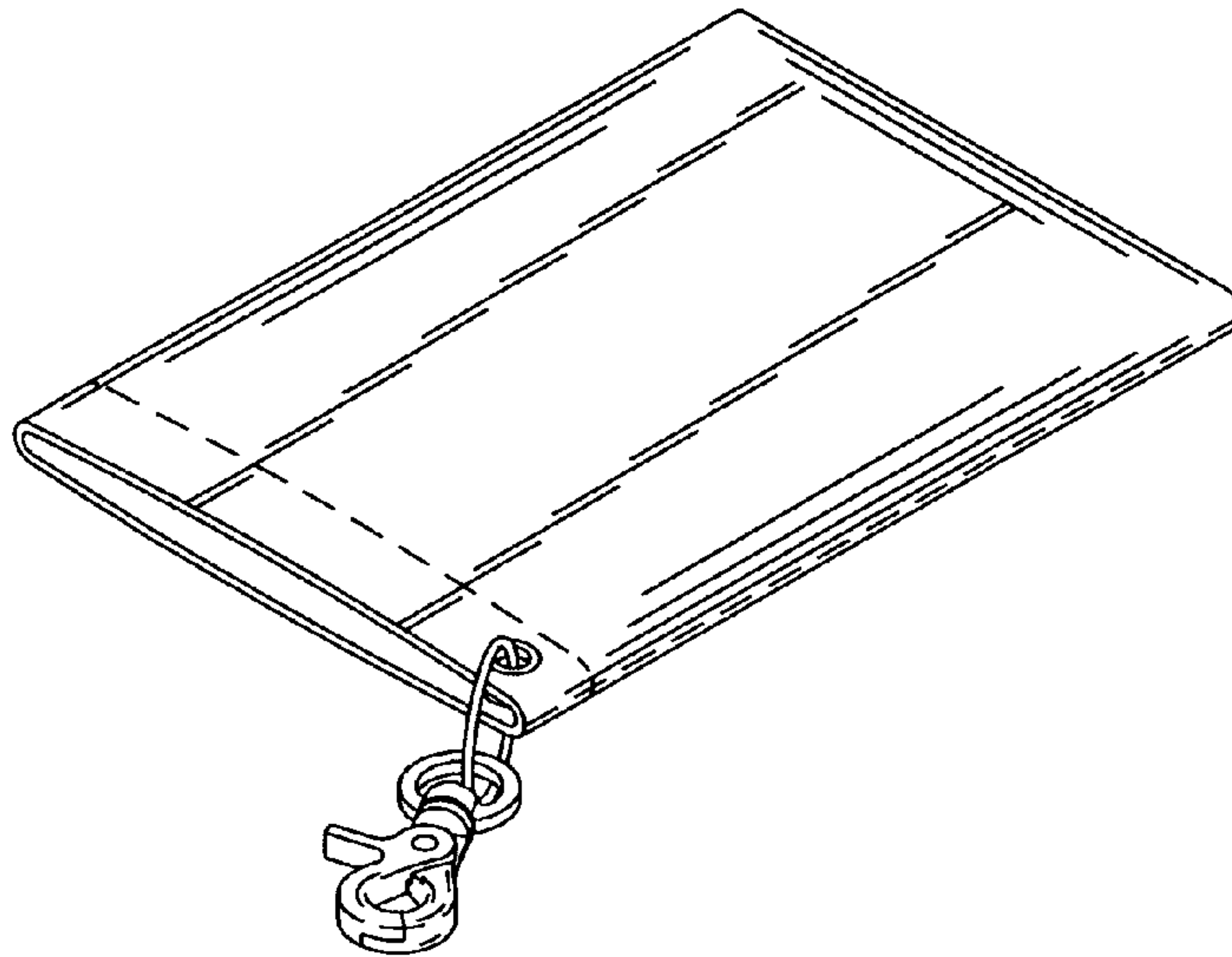


FIG. 1

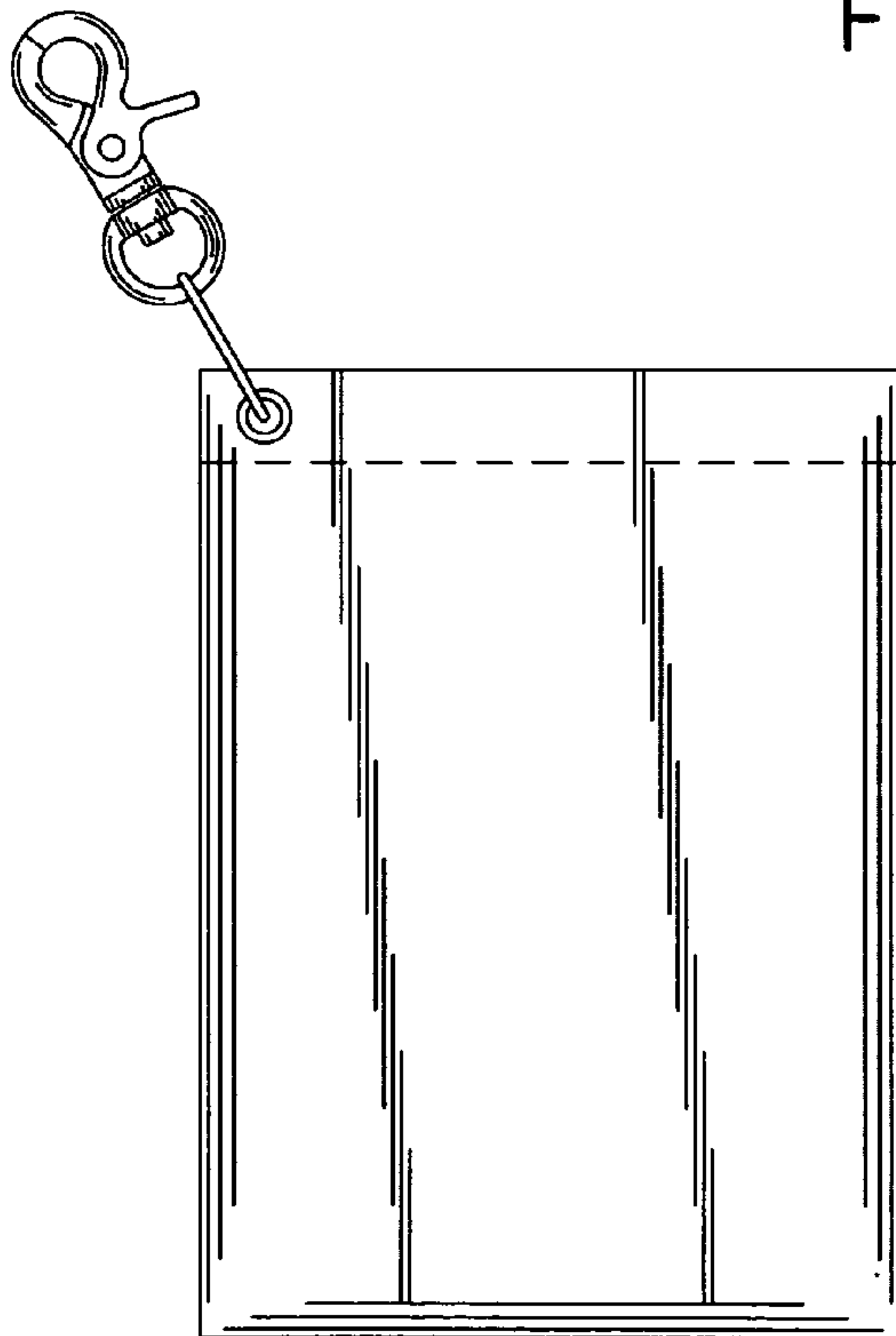


FIG. 2

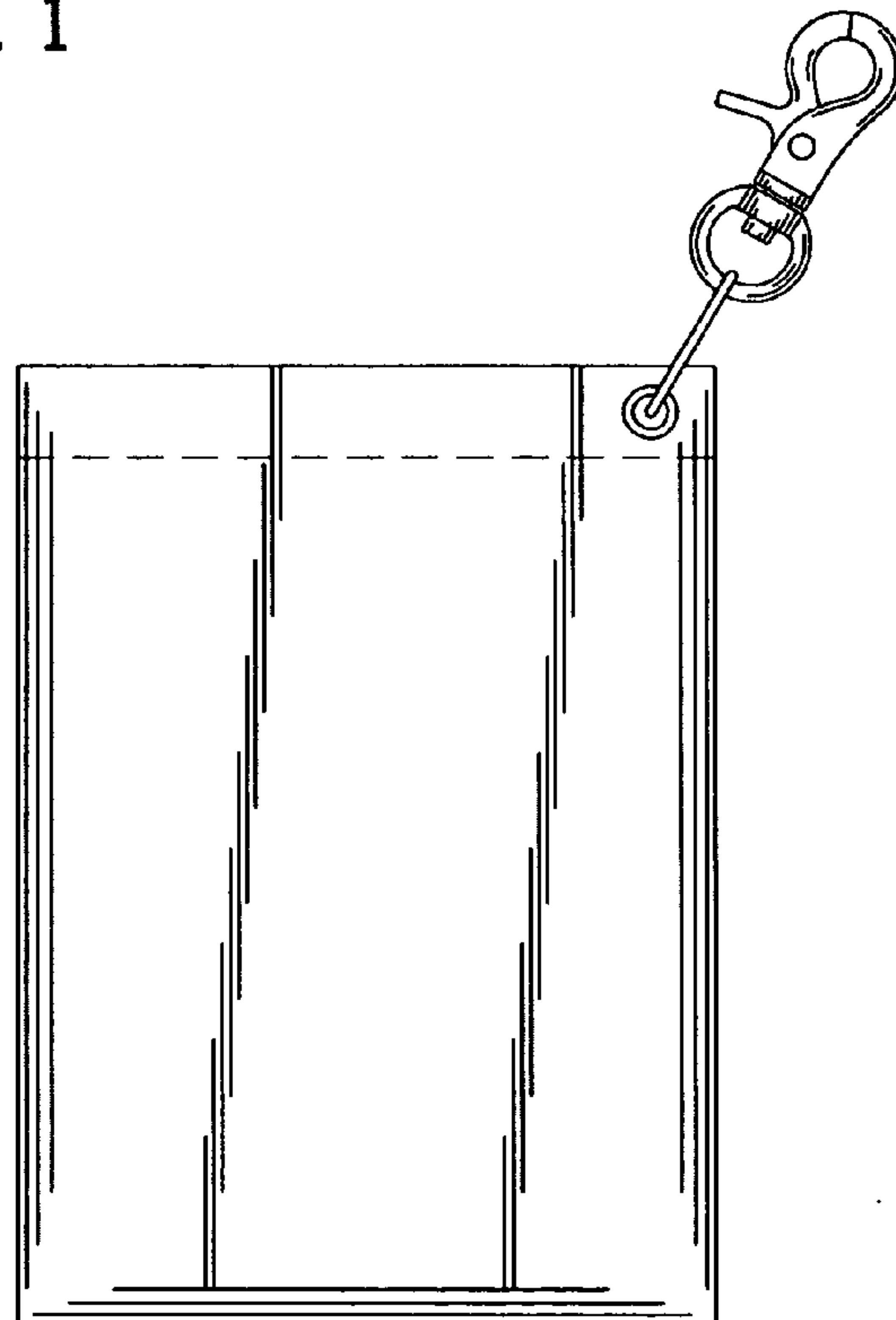


FIG. 3

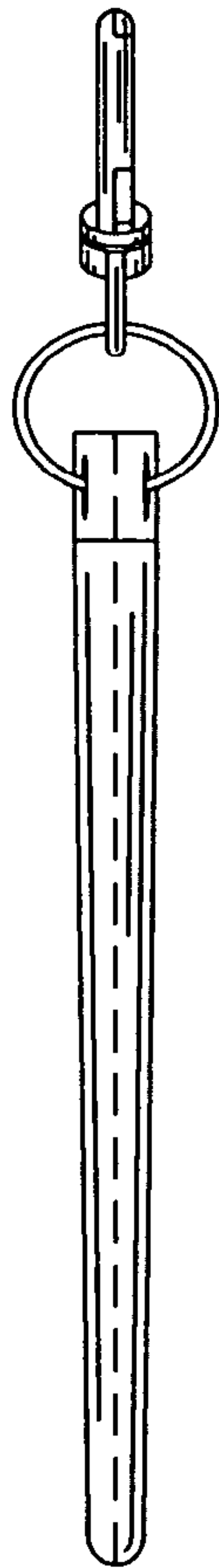


FIG. 4

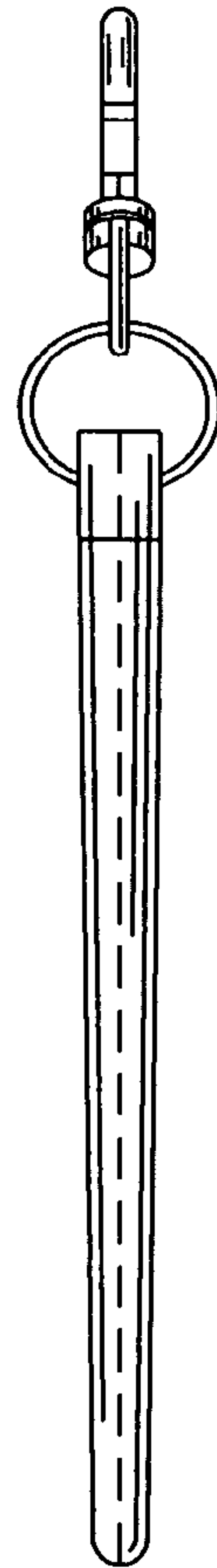


FIG. 5

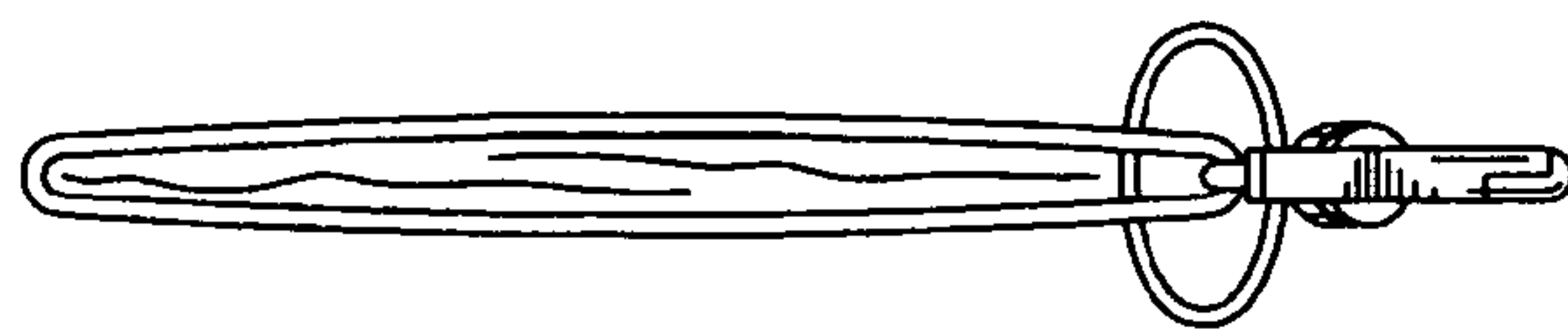


FIG. 6

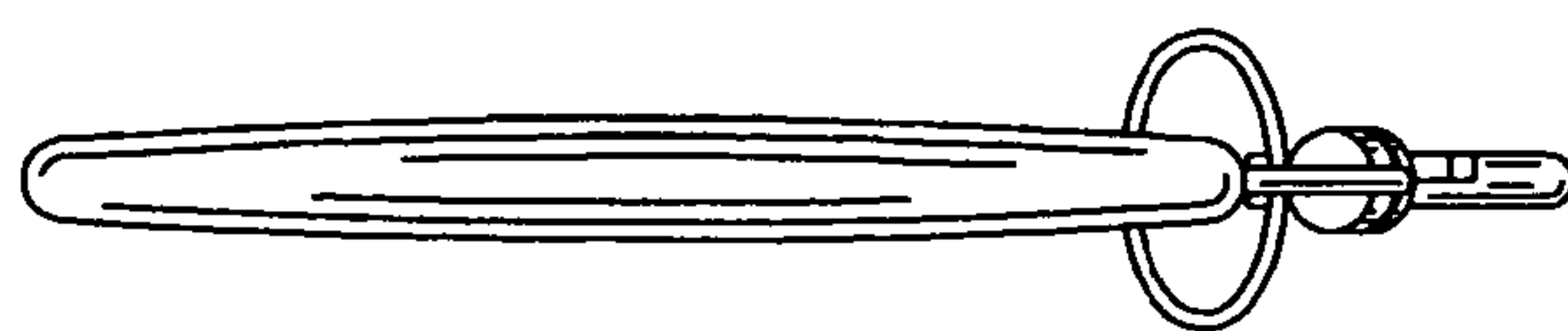


FIG. 7