



US00D627961S

(12) **United States Design Patent**  
**Elder**

(10) **Patent No.:** **US D627,961 S**

(45) **Date of Patent:** **\*\* Nov. 30, 2010**

(54) **UMBRELLA SHELTER**

(76) Inventor: **James Christopher Elder**, 1011  
Magnolia Dr., Carrollton, TX (US)  
75007

5,979,434 A 11/1999 Bilanzich  
D419,759 S 2/2000 Goudarzi  
6,039,063 A 3/2000 Lin et al.

(Continued)

(\*\*) Term: **14 Years**

FOREIGN PATENT DOCUMENTS

(21) Appl. No.: **29/359,065**

JP 2000093219 A 4/2000

(22) Filed: **Apr. 5, 2010**

(Continued)

**Related U.S. Application Data**

(63) Continuation of application No. 29/338,325, filed on  
Jun. 9, 2009, now Pat. No. Des. 623,844, and a con-  
tinuation of application No. 12/466,426, filed on May  
15, 2009.

OTHER PUBLICATIONS

International Search Report mailed Jan. 4, 2010 in International  
Application No. PCT/US2009/046607.

(51) **LOC (9) Cl.** ..... **03-03**

*Primary Examiner*—Doris Clark

(52) **U.S. Cl.** ..... **D3/5**

(74) *Attorney, Agent, or Firm*—Kenneth H. Ohriner; Perkins  
Coie LLP

(58) **Field of Classification Search** ..... D3/5,  
D3/10, 12, 13, 16, 17; 135/15.1, 23, 20.1,  
135/20.3, 25.31, 33.7, 39, 40, 25.01, 21,  
135/16, 44

(57) **CLAIM**

See application file for complete search history.

The ornamental design for an umbrella shelter, as shown and  
described.

(56) **References Cited**

**DESCRIPTION**

U.S. PATENT DOCUMENTS

1,581,843 A	4/1926	Little, Sr.	
1,774,909 A	9/1930	Wells	
2,024,105 A	12/1935	Landman	
2,934,076 A	4/1960	Fulke	
3,456,661 A	7/1969	Farley	
4,086,931 A	5/1978	Hall	
4,449,542 A	5/1984	McSwain et al.	
4,499,133 A	2/1985	Prince	
D294,538 S	3/1988	De Marr	
4,821,353 A	4/1989	Neri	
4,958,652 A	9/1990	Maya	
5,505,221 A *	4/1996	Gao	135/20.1
5,551,464 A	9/1996	Kelly	
5,692,720 A	12/1997	Griggs	
D390,696 S	2/1998	Bauman	
5,806,547 A	9/1998	Derlinga	

FIG. 1 is a perspective view showing my new design.

FIG. 2 is a top view.

FIG. 3 is a bottom view.

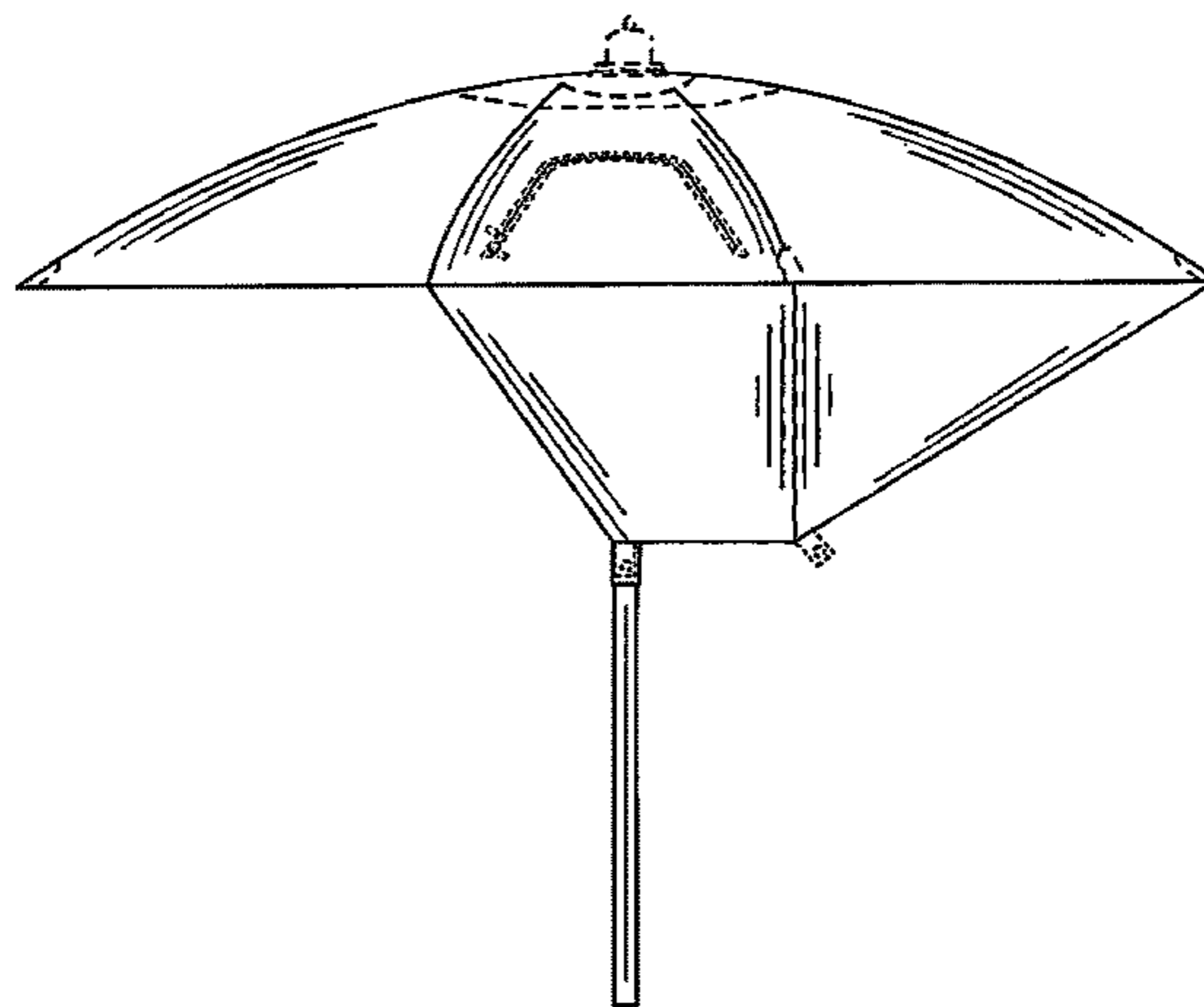
FIG. 4 is a front view. The rear view is the same as the front  
view; and,

FIG. 5 is a left side view. The right side view is a mirror image  
of the left side view.

The shaded areas in FIG. 3 are screen mesh and are not  
claimed. The U-shaped features shown in dotted lines in  
FIGS. 1-3 and 5 are zippers and are not claimed.

The broken lines are for illustrative purposes only and form  
no part of the claimed design.

**1 Claim, 5 Drawing Sheets**



# US D627,961 S

Page 2

---

## U.S. PATENT DOCUMENTS

6,085,768 A 7/2000 Arlotta  
6,138,700 A 10/2000 Stoddart  
6,453,922 B1 9/2002 Dufort  
6,698,440 B2 3/2004 Beyer et al.  
6,866,053 B2 3/2005 You  
D516,294 S \* 3/2006 Olson et al. .... D3/5  
D521,229 S 5/2006 Mariano  
7,240,683 B2 7/2007 Zutich  
7,316,239 B2 1/2008 Yang

D572,463 S \* 7/2008 Richardson ..... D3/5  
7,493,908 B2 2/2009 Carter et al.  
2004/0020522 A1 2/2004 James  
2005/0011134 A1 1/2005 Boltan et al.  
2009/0007947 A1 1/2009 Spangenberg  
2009/0301531 A1 12/2009 Elder

## FOREIGN PATENT DOCUMENTS

JP 2003-033211 A 2/2003

\* cited by examiner

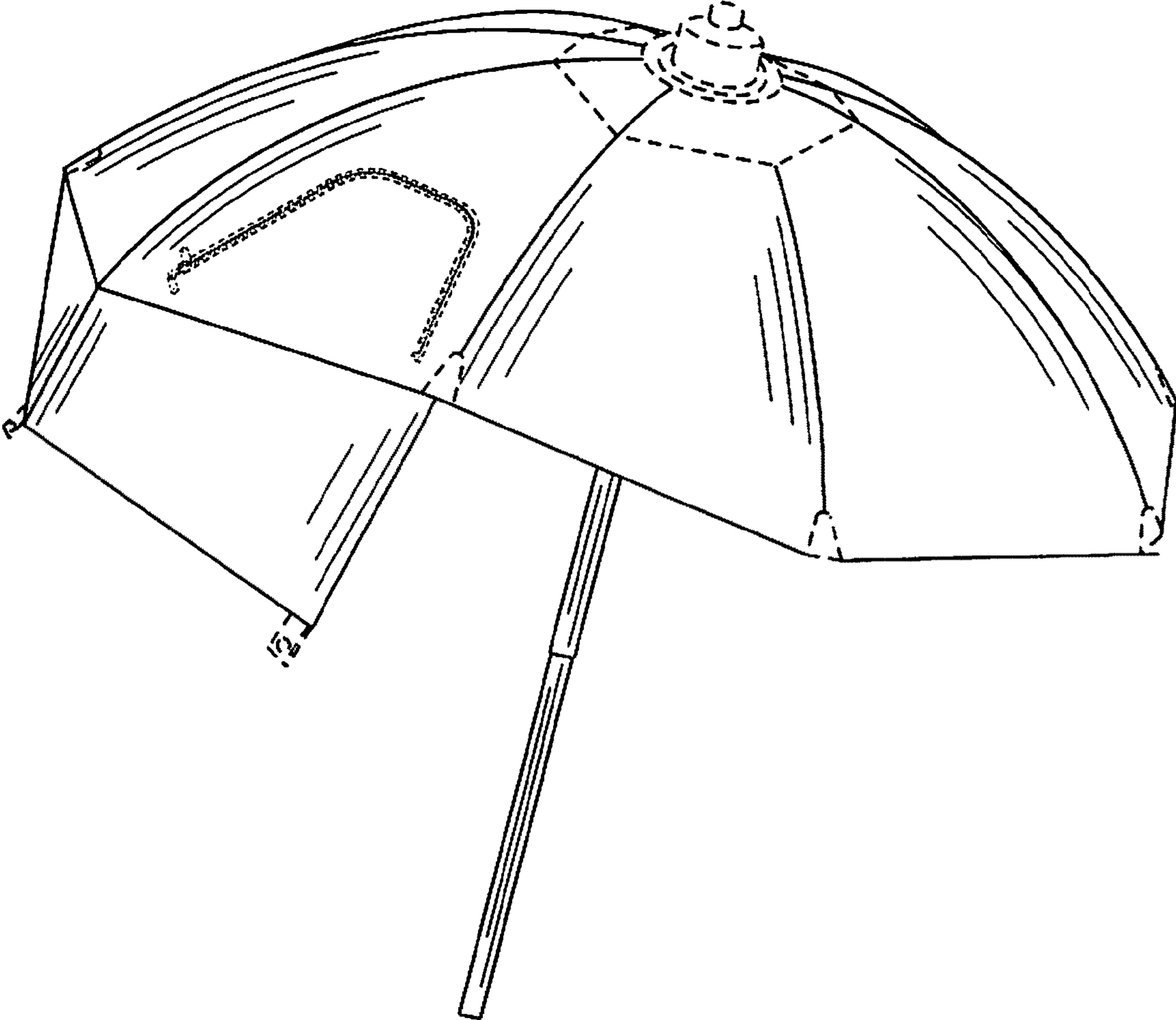


FIG. 1

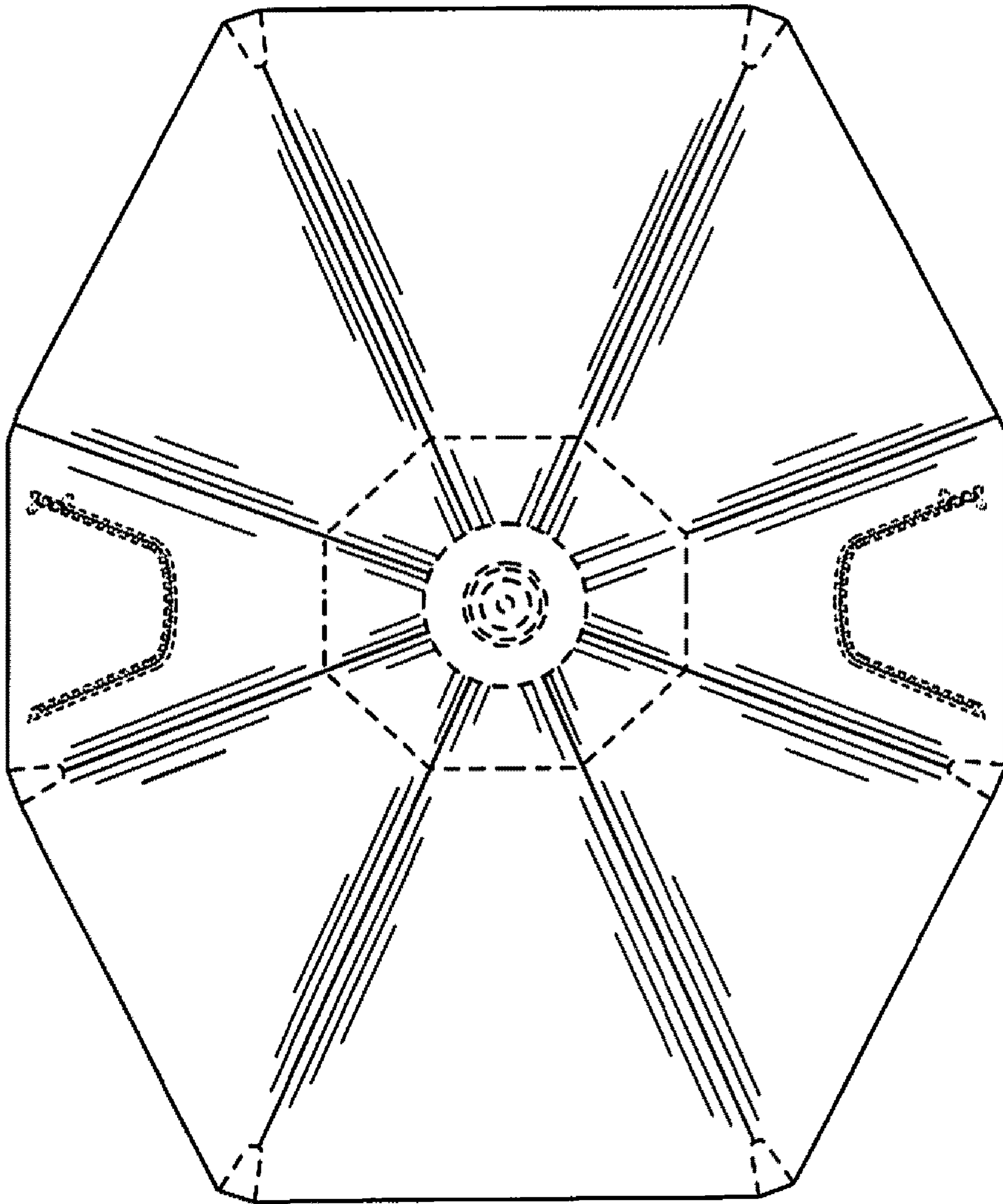


FIG. 2



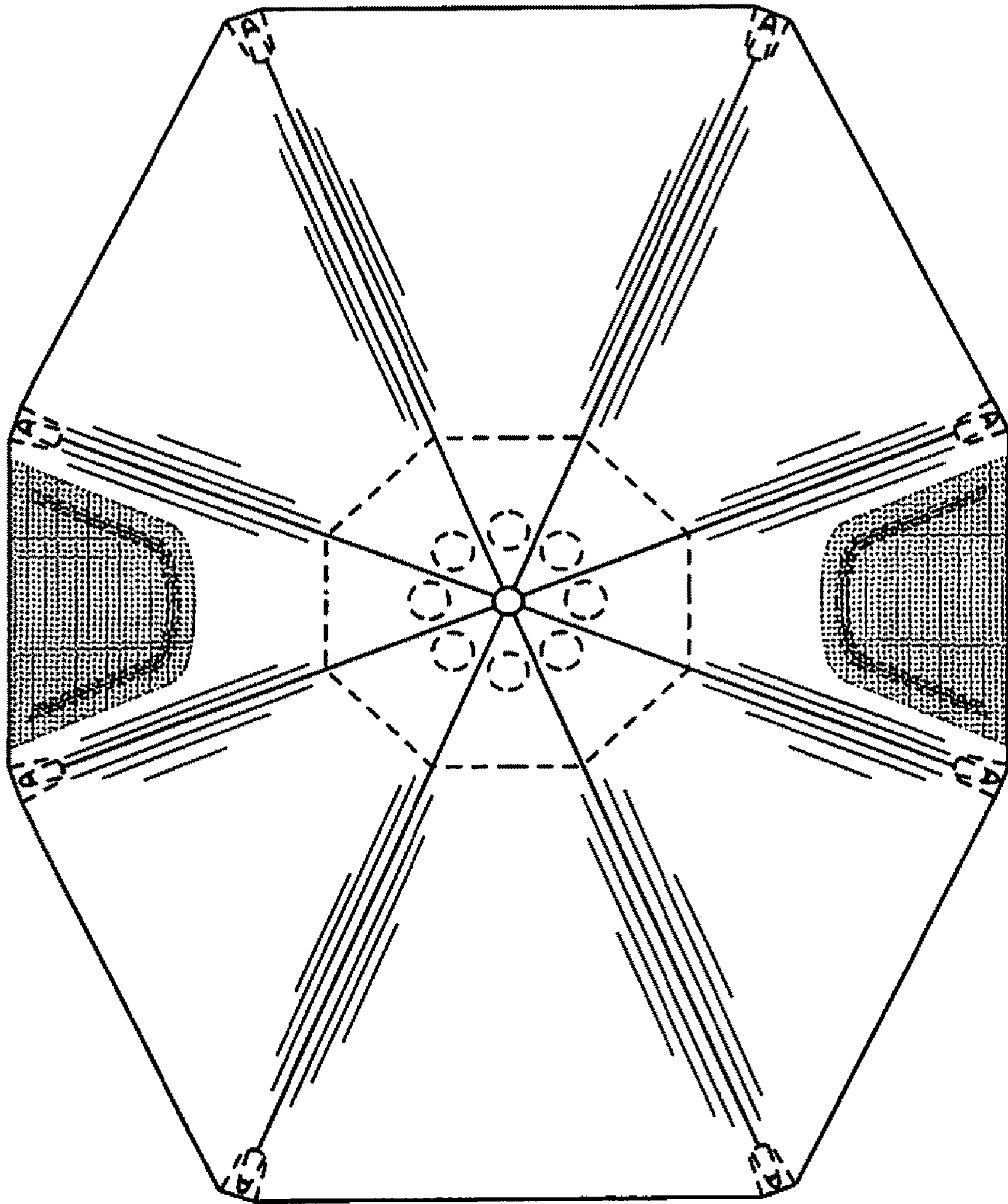


FIG. 3

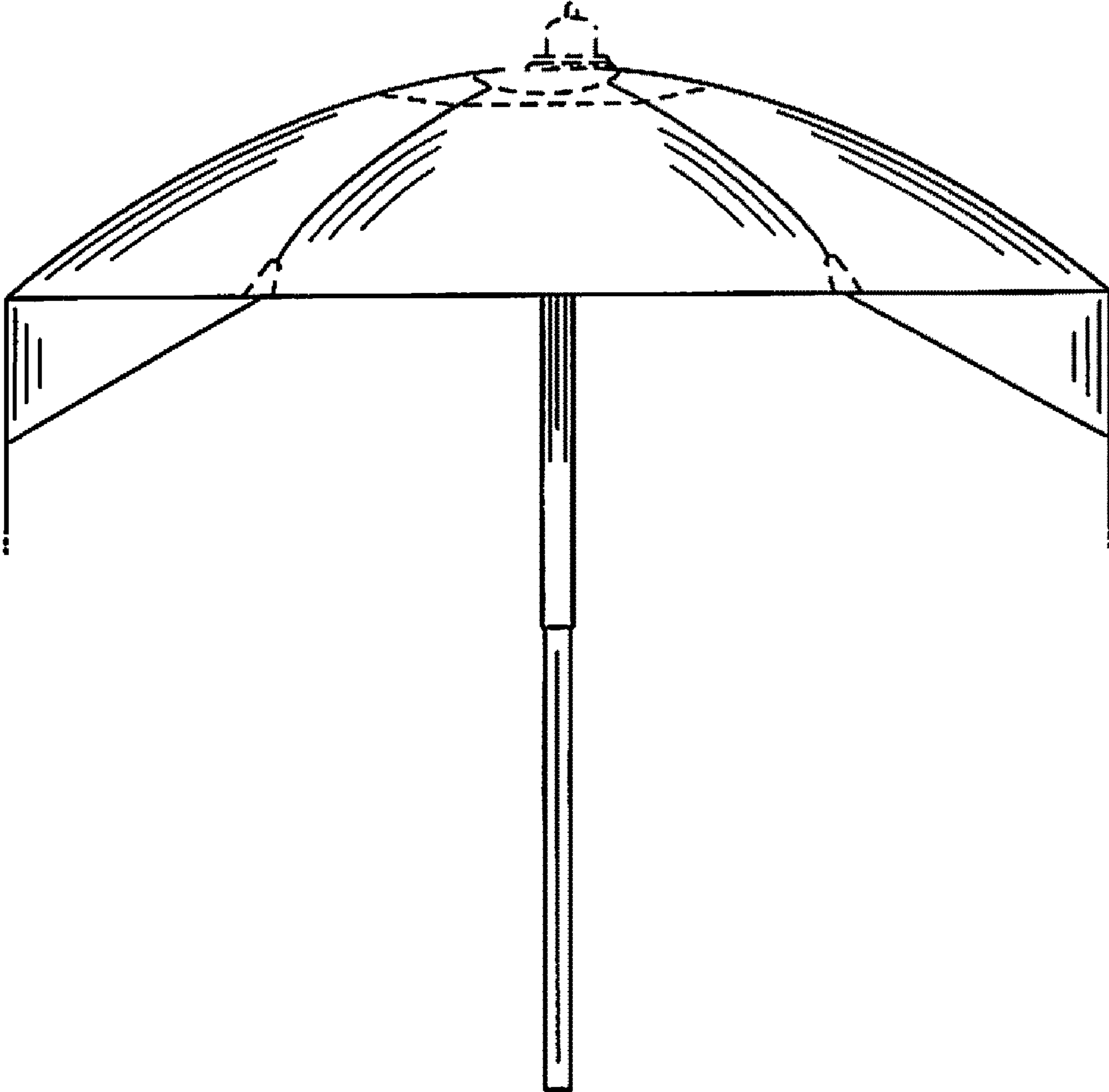


FIG. 4

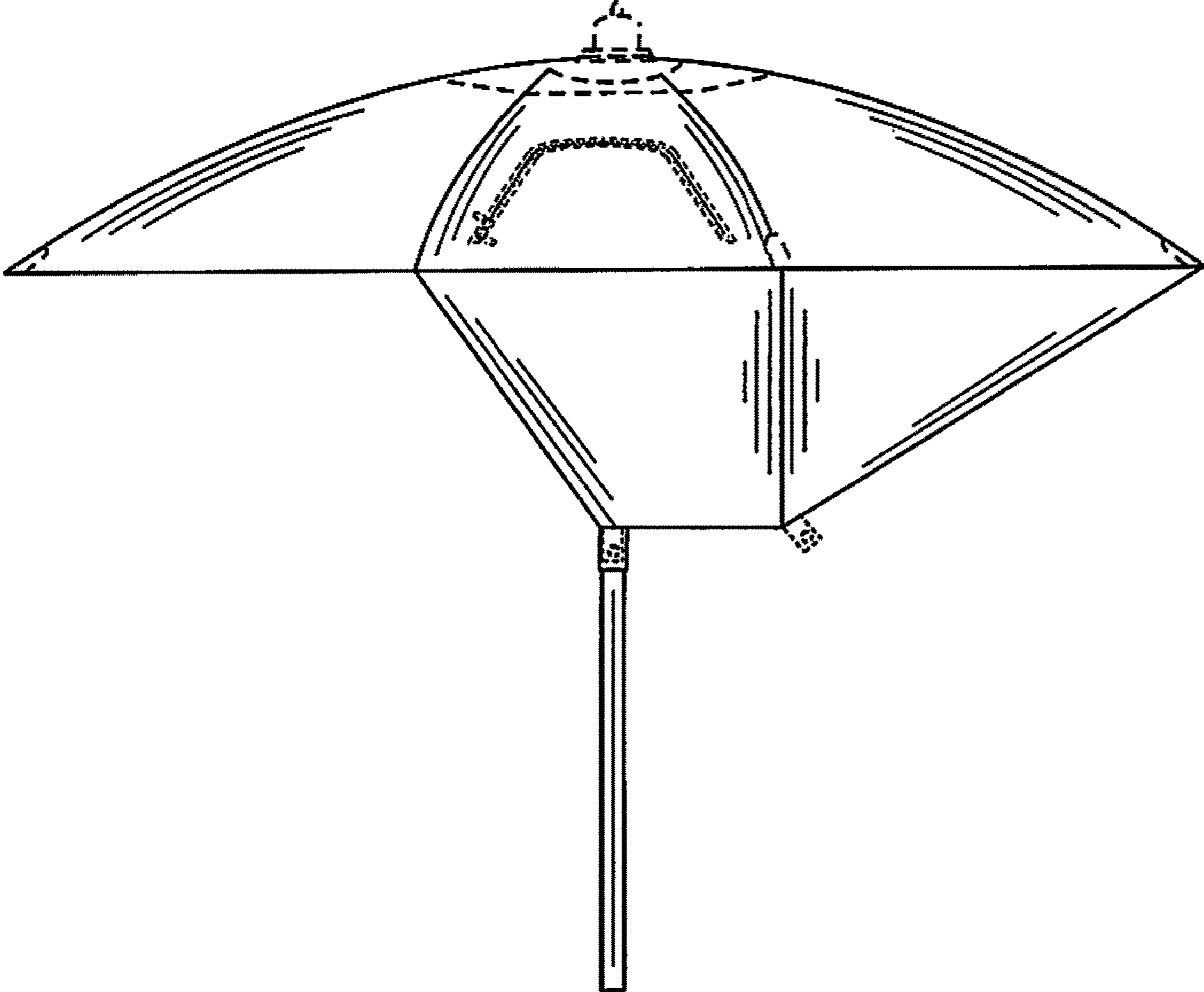


FIG. 5