



US00D627952S

(12) **United States Design Patent**
Bish

(10) **Patent No.:** **US D627,952 S**

(45) **Date of Patent:** **** *Nov. 30, 2010**

(54) **HAIRCUTTING CAPE**

2010/0205712 A1 8/2010 Bish

(76) **Inventor:** **Charity Bish**, 2034 S. 1700 East, Salt Lake City, UT (US) 84108

FOREIGN PATENT DOCUMENTS

FR	2685856	A1	*	7/1993
JP	10165227	A	*	6/1998
JP	2003079428	A	*	3/2003
JP	2004183182	A	*	7/2004

(**) **Term:** **14 Years**

(21) **Appl. No.:** **29/355,699**

OTHER PUBLICATIONS

(22) **Filed:** **Feb. 12, 2010**

Pages from www.HairCuttingCapes.com, available, on information and belief, at least as early as Jan. 21, 2010 (2 pages).

Brochure entitled "U Need It Beauty Supply" available, on information and belief, at least as early as Jan. 22, 2010 (2 pages).

Photographs of hair cutting cape, available, on information and belief, at least as early as Sep. 2008 (8 photos, 8 pages).

Related U.S. Application Data

(63) Continuation of application No. 12/703,873, filed on Feb. 11, 2010.

* cited by examiner

(51) **LOC (9) Cl.** **02-02**

Primary Examiner—Ian Simmons

(52) **U.S. Cl.** **D2/860**

Assistant Examiner—Rashida Johnson

(58) **Field of Classification Search** D2/700,
D2/720, 724, 725, 739, 740, 823–826, 860–864;
2/46, 48–52, 83, 84, 88, 114, 69.5; D6/603;
5/485

(74) *Attorney, Agent, or Firm*—Workman Nydegger

See application file for complete search history.

(57) **CLAIM**

The ornamental design for a haircutting cape, as shown and described.

(56) **References Cited**

U.S. PATENT DOCUMENTS

1,887,028	A	*	11/1932	Lemke et al.	2/50
2,016,079	A	*	10/1935	Deuel et al.	2/50
D119,464	S	*	3/1940	Small	D2/864
2,744,252	A	*	5/1956	Cansler	2/50
3,031,676	A	*	5/1962	Larson	2/50
3,067,428	A	*	12/1962	Baker et al.	2/52
4,280,227	A	*	7/1981	Brock	2/88
4,615,047	A	*	10/1986	Matsuoka	2/50
4,726,085	A	*	2/1988	Antonio	5/655
7,444,684	B1	*	11/2008	Medina	2/48
2010/0100996	A1	*	4/2010	Zitscher	2/50

DESCRIPTION

FIG. 1 is a front perspective view of a haircutting cape;

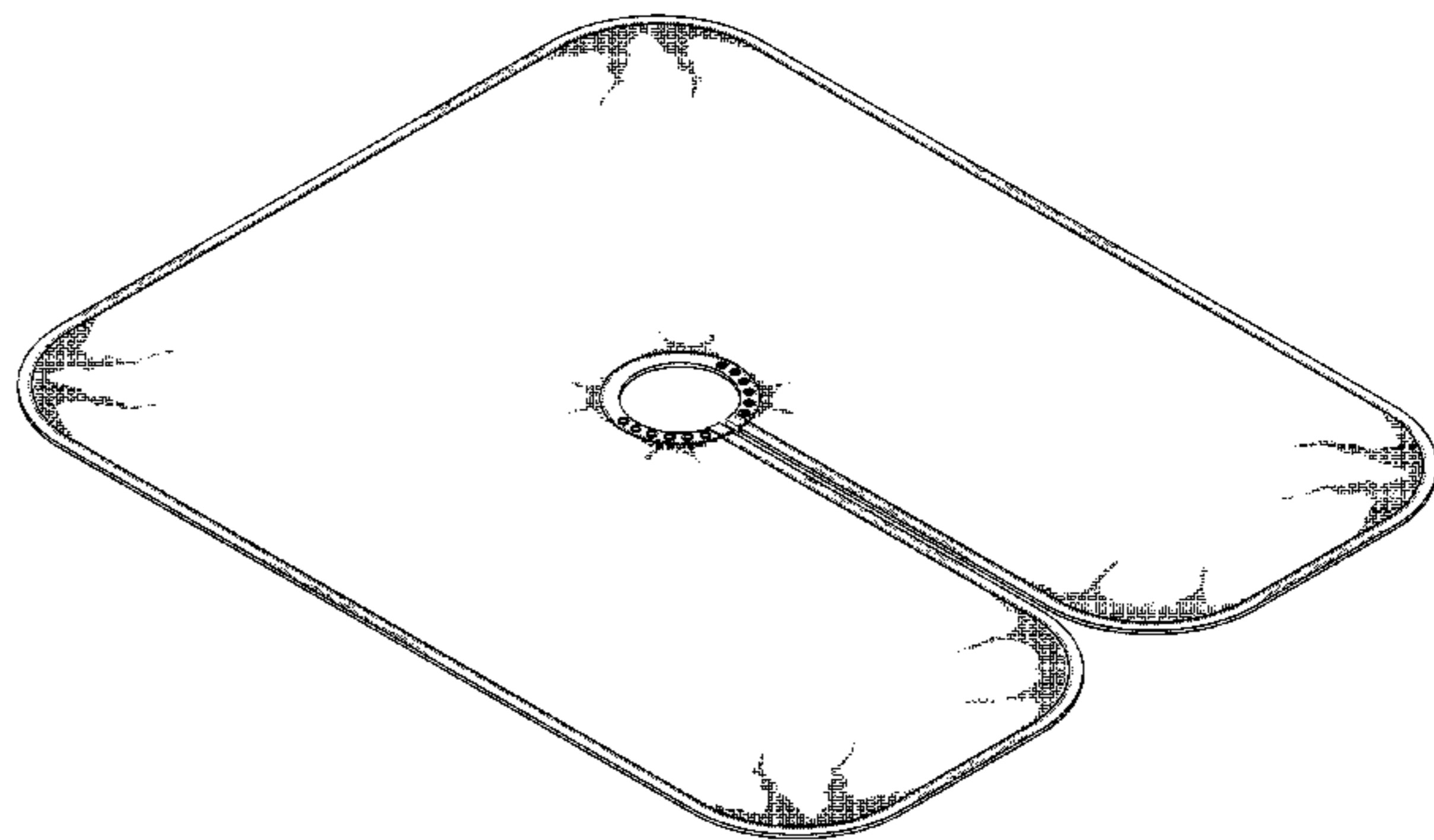
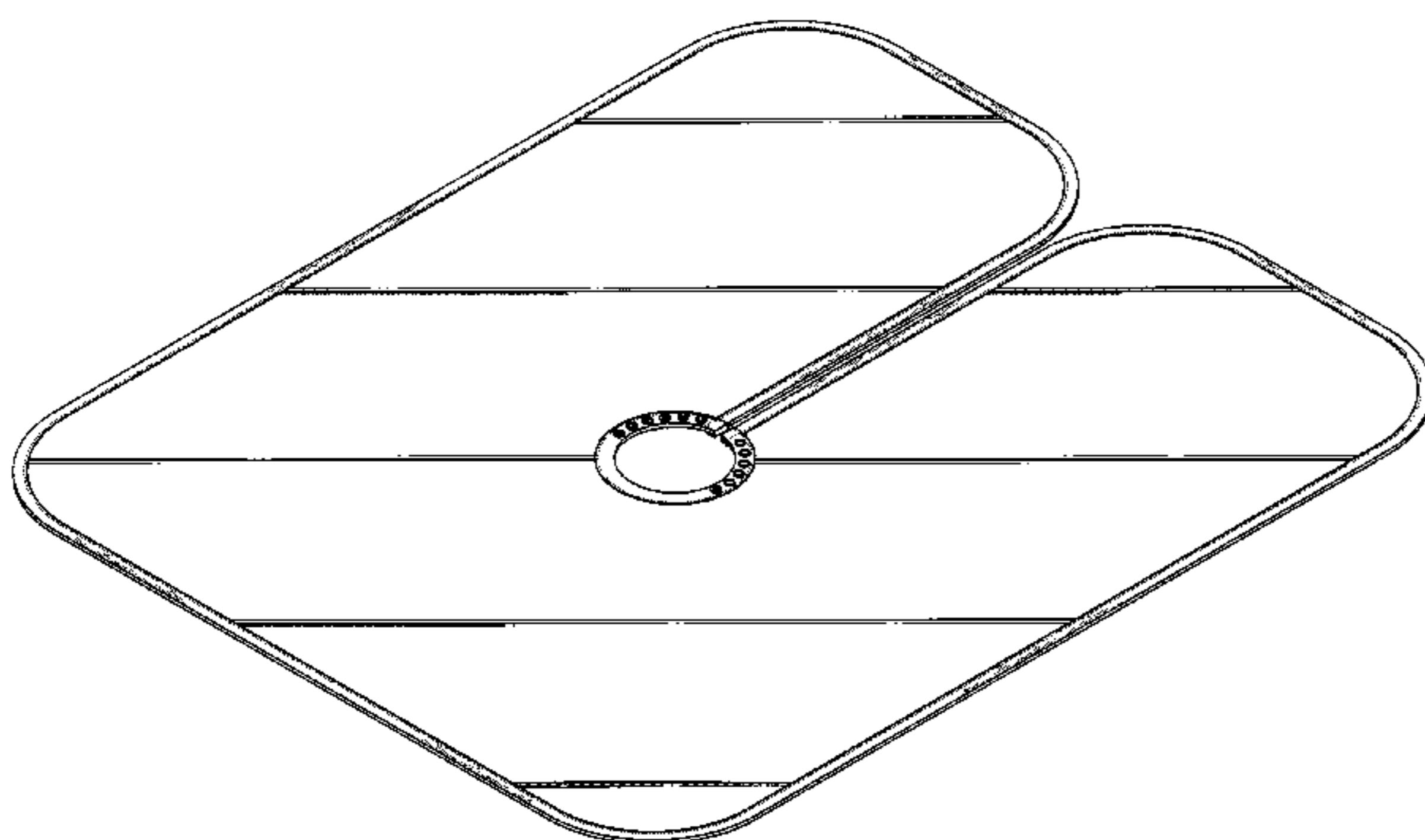
FIG. 2 is a back perspective view of the haircutting cape of FIG. 1;

FIG. 3 is a front elevational view of the haircutting cape of FIG. 1; and,

FIG. 4 is a back elevational view of the haircutting cape of FIG. 1.

The phantom, broken lines shown are shown for environmental purposes only and form no part of the claimed design.

1 Claim, 4 Drawing Sheets



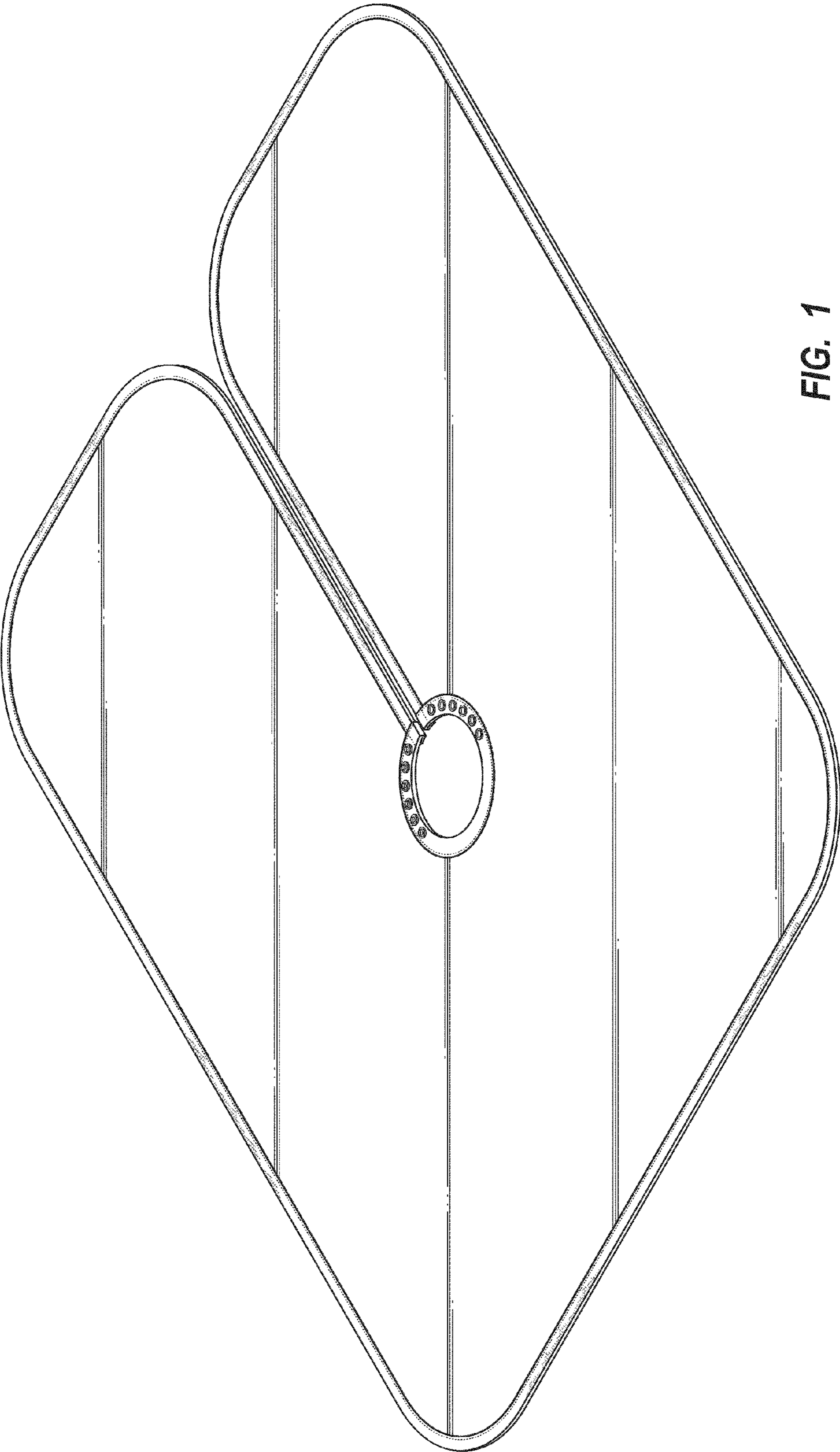


FIG. 1

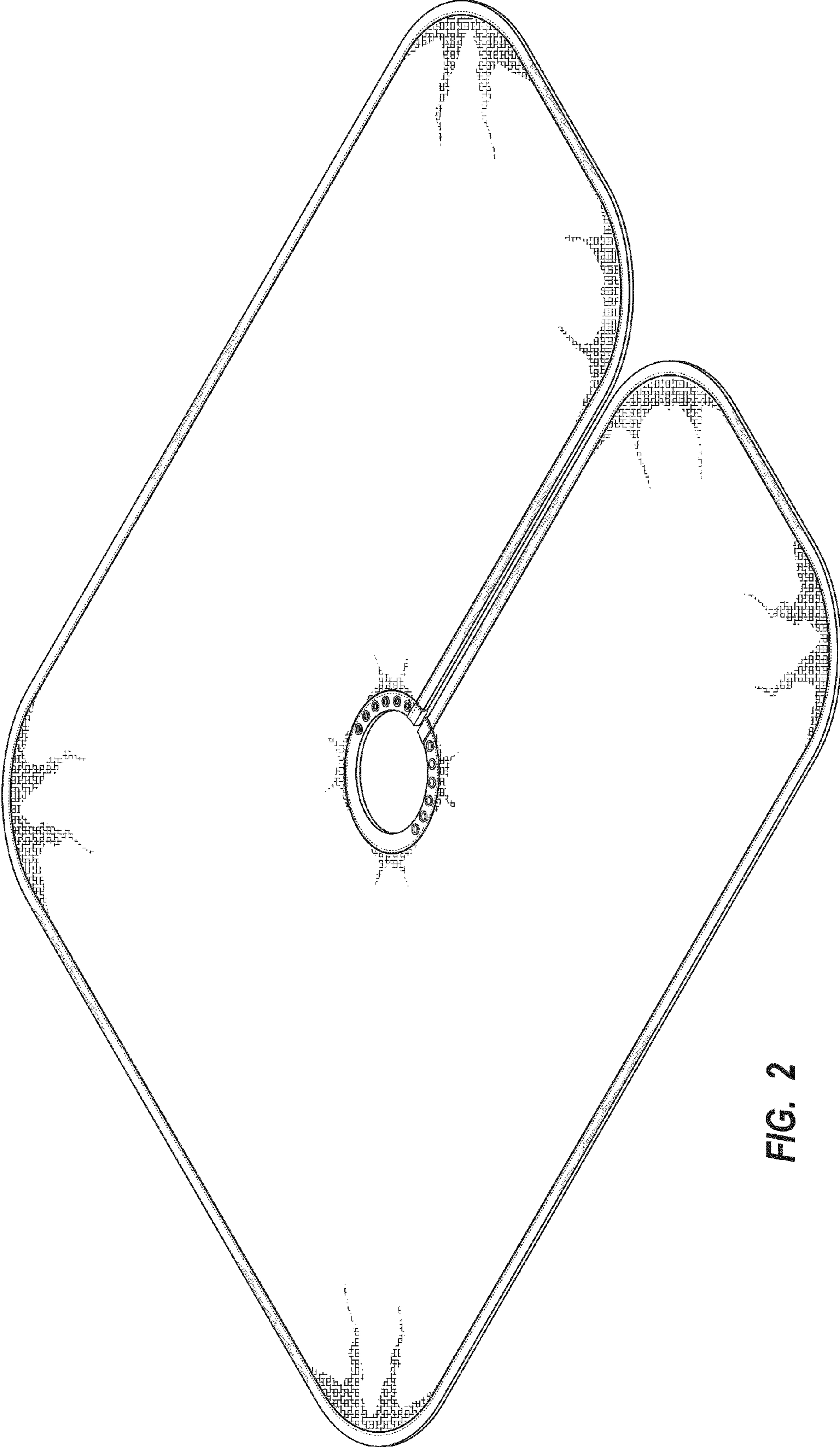


FIG. 2

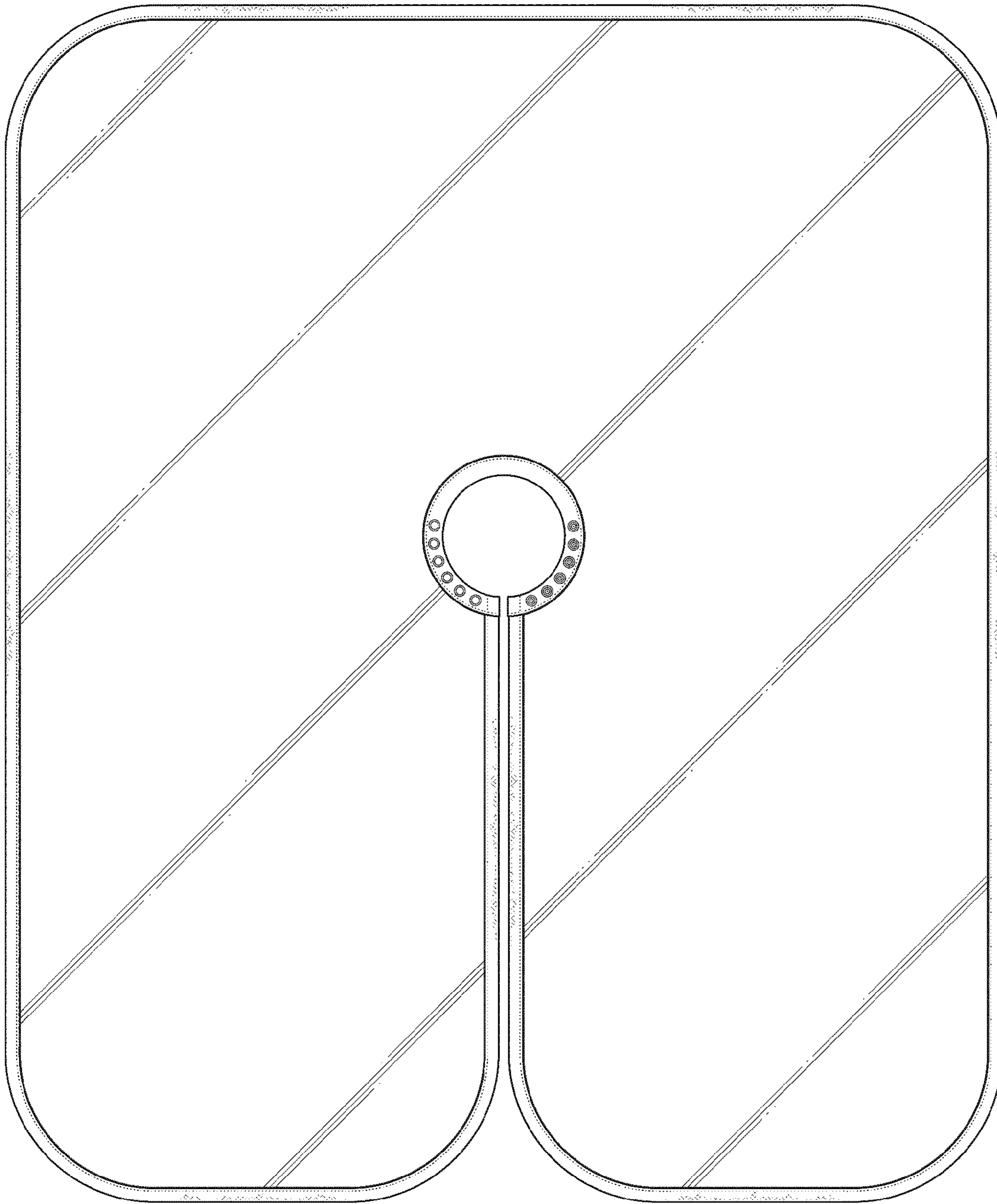


FIG. 3

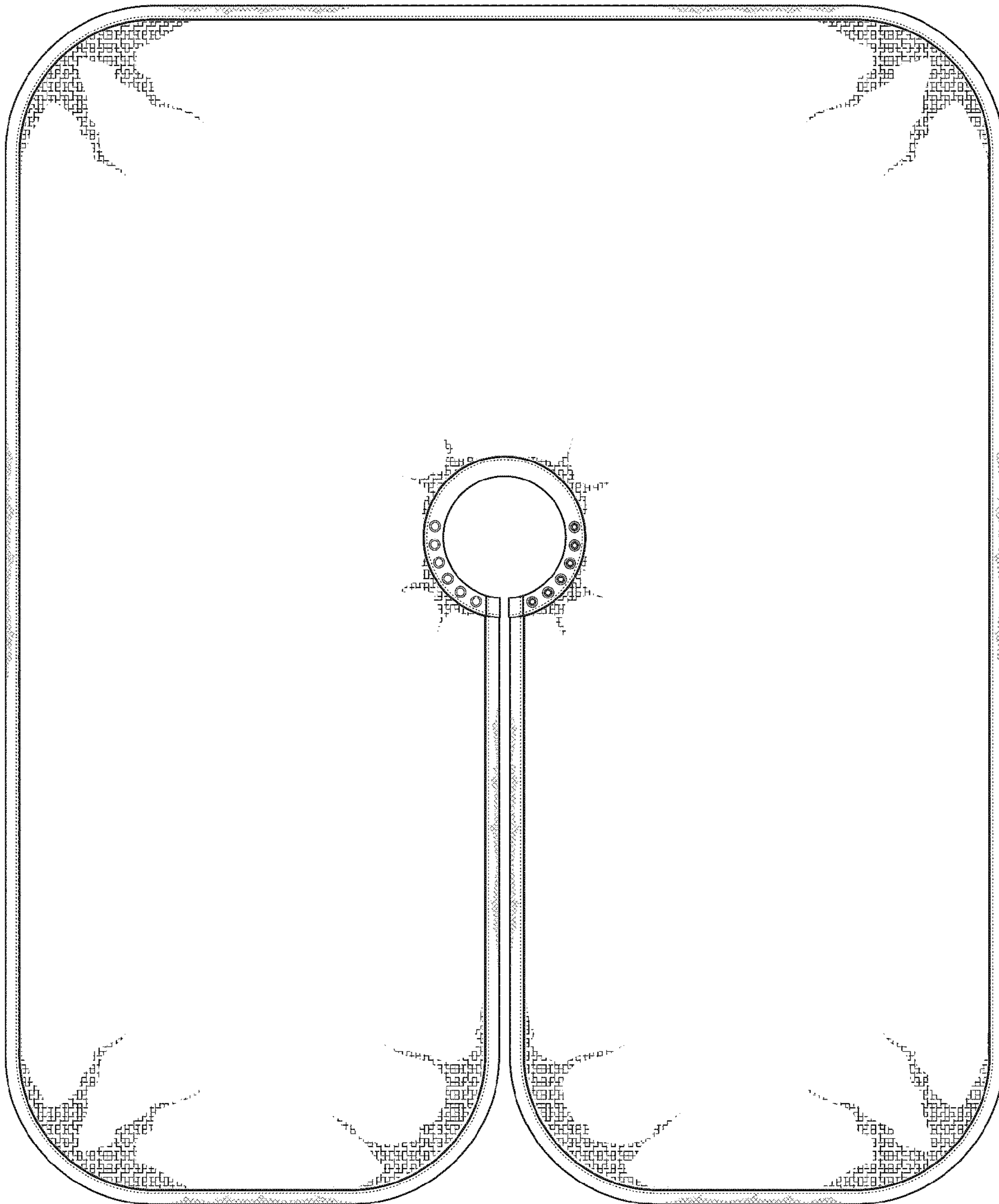


FIG. 4