



US00D627945S

(12) **United States Design Patent**  
**Petrick et al.**

(10) **Patent No.:** **US D627,945 S**

(45) **Date of Patent:** **\*\* Nov. 23, 2010**

(54) **SUPPORT SYSTEM FOR A COMPUTER CART**

(74) *Attorney, Agent, or Firm*—Anderson Gorecki & Manaras LLP

(75) Inventors: **Tad Petrick**, Evanston, IL (US); **Philip Sopicki**, Glenview, IN (US); **John Poremba**, Elmhurst, IL (US); **Brian Wixted**, Crystal Lake, IL (US); **Jim Fisher**, Waukegan, IL (US); **Harrison Yuan**, Buffalo Grove, IL (US); **Mike Hansen**, Village of Lakewood, IL (US)

(57) **CLAIM**

The ornamental design for a support system for a computer cart, as shown and described.

(73) Assignee: **Bretford Manufacturing, Inc.**, Franklin Park, IL (US)

**DESCRIPTION**

(\*\*) Term: **14 Years**

FIG. 1 is a front perspective view of a support system for a computer cart embodying our novel design shown in context on an example computer cart;

(21) Appl. No.: **29/353,471**

FIG. 2 is a front view of the support system for a computer cart of FIG. 1 also shown in context on an example computer cart;

(22) Filed: **Jan. 8, 2010**

FIG. 3 is a left side view of the support system for a computer cart of FIG. 1 also shown in context on an example computer cart;

(51) **LOC (9) Cl.** ..... **12-02**

(52) **U.S. Cl.** ..... **D34/27**

(58) **Field of Classification Search** ..... D34/27;  
280/651, 641, 79.11, 79.3, 42, 47.18, 47.2,  
280/47.27

FIG. 4 is an enlarged front perspective view of a support system for a computer cart of FIG. 1;

FIG. 5 is a front view of the support system for a computer cart of FIG. 4, the back side being the same as the front;

See application file for complete search history.

FIG. 6 is a left side view of the support system for a computer cart of FIG. 4, the right side view being the same as the left side view;

(56) **References Cited**

**U.S. PATENT DOCUMENTS**

D175,719 S \* 10/1955 Frick ..... D34/17

D183,621 S \* 9/1958 Levin ..... D7/307

D618,420 S \* 6/2010 Perelli et al. .... D34/17

FIG. 7 is a top plan view of the support system for a computer cart of FIG. 1; and,

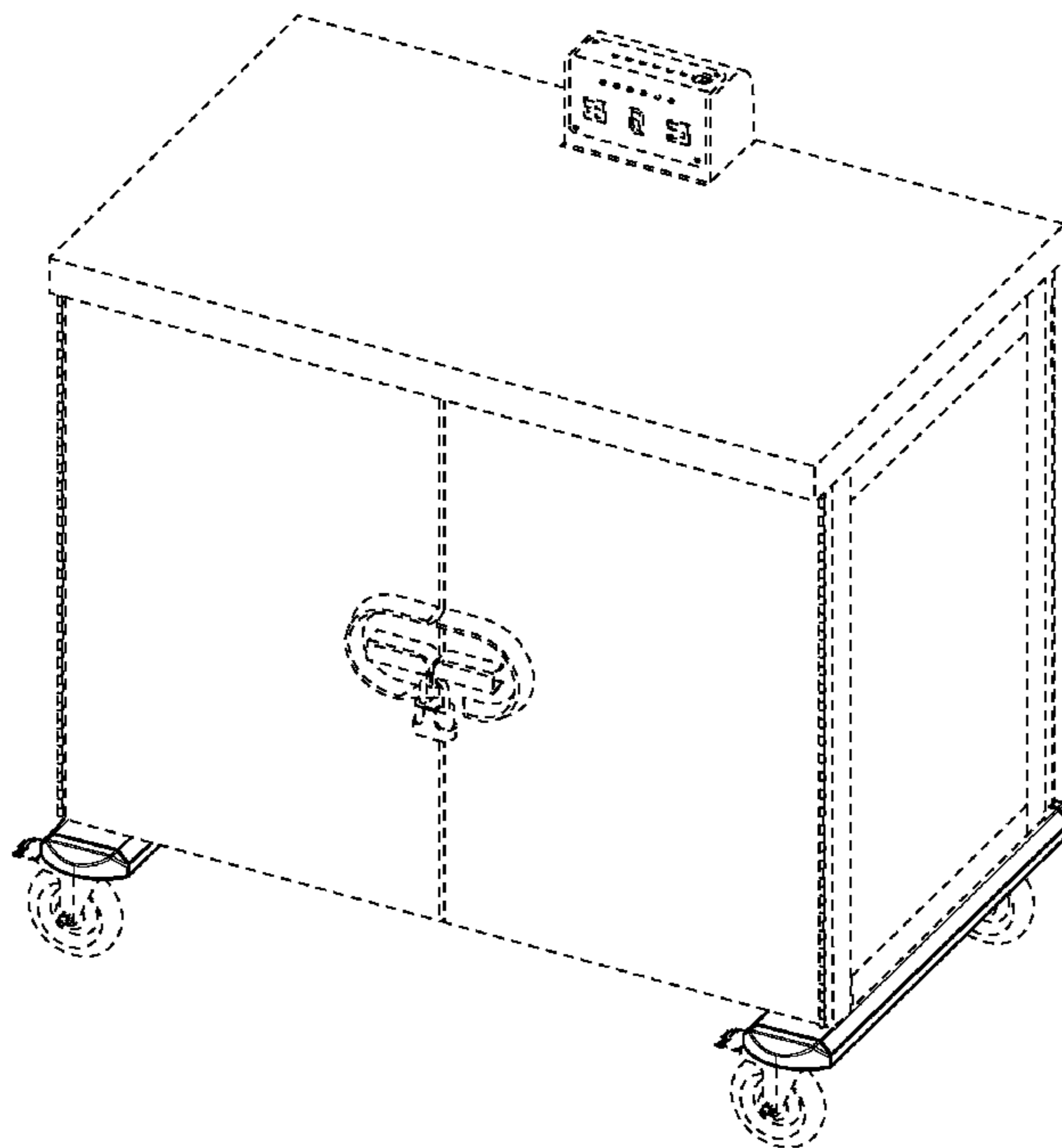
FIG. 8 is a bottom plan view of the support system for a computer cart of FIG. 1.

The broken lines shown in the drawings are for illustrative purposes only and form no part of the claimed design.

\* cited by examiner

*Primary Examiner*—Cynthia E Ramirez

**1 Claim, 6 Drawing Sheets**



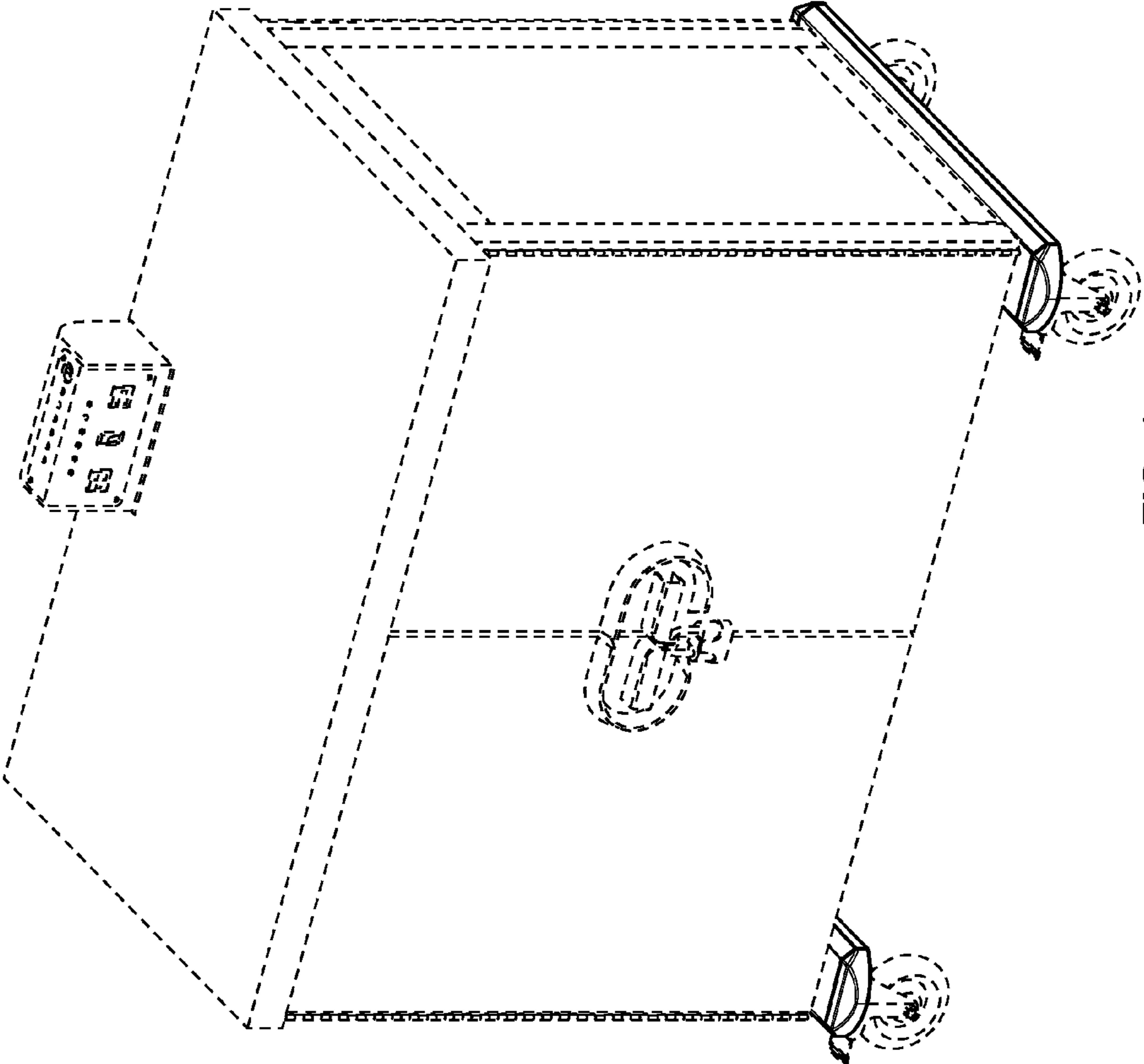


FIG. 1

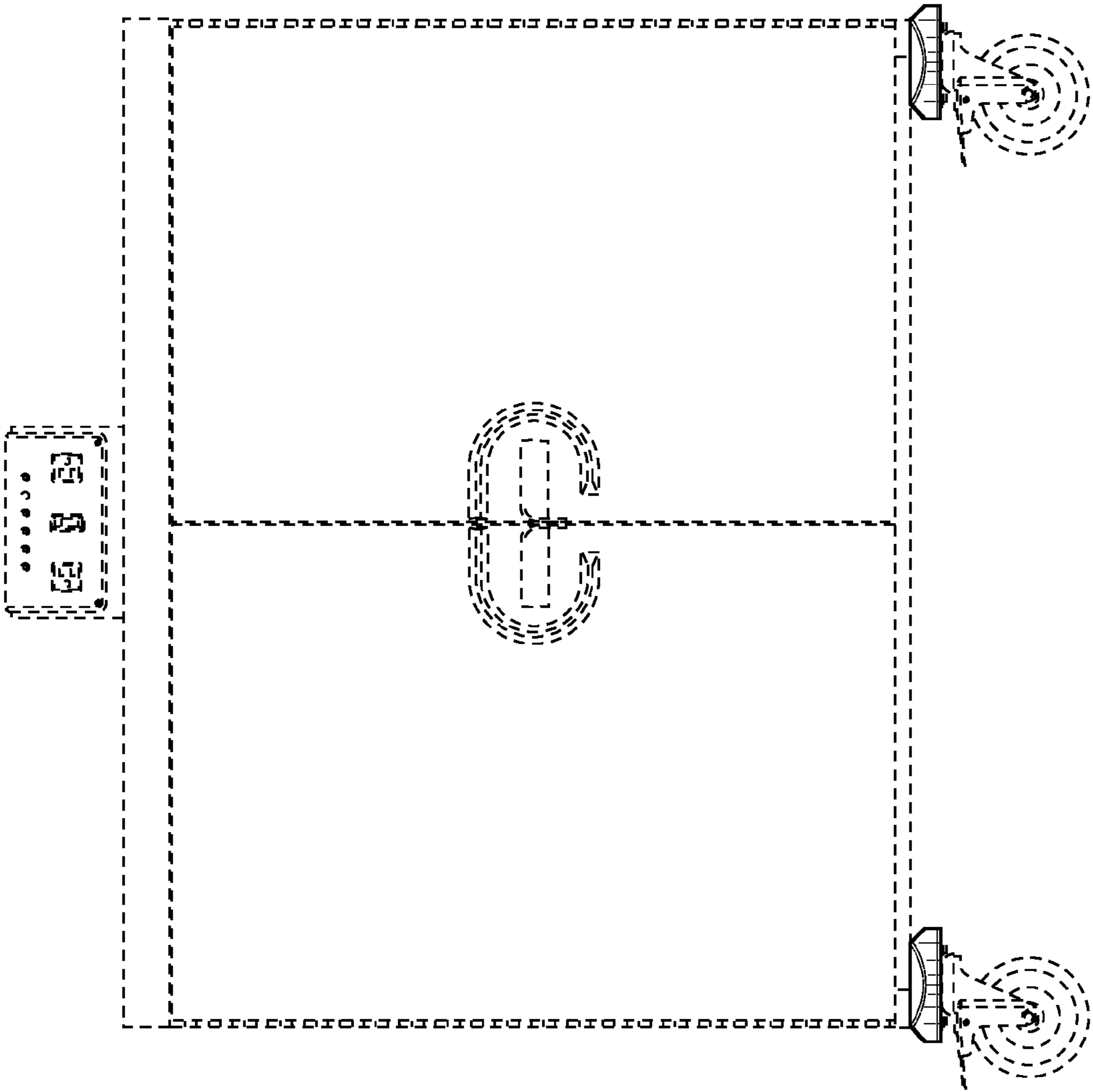


FIG. 2

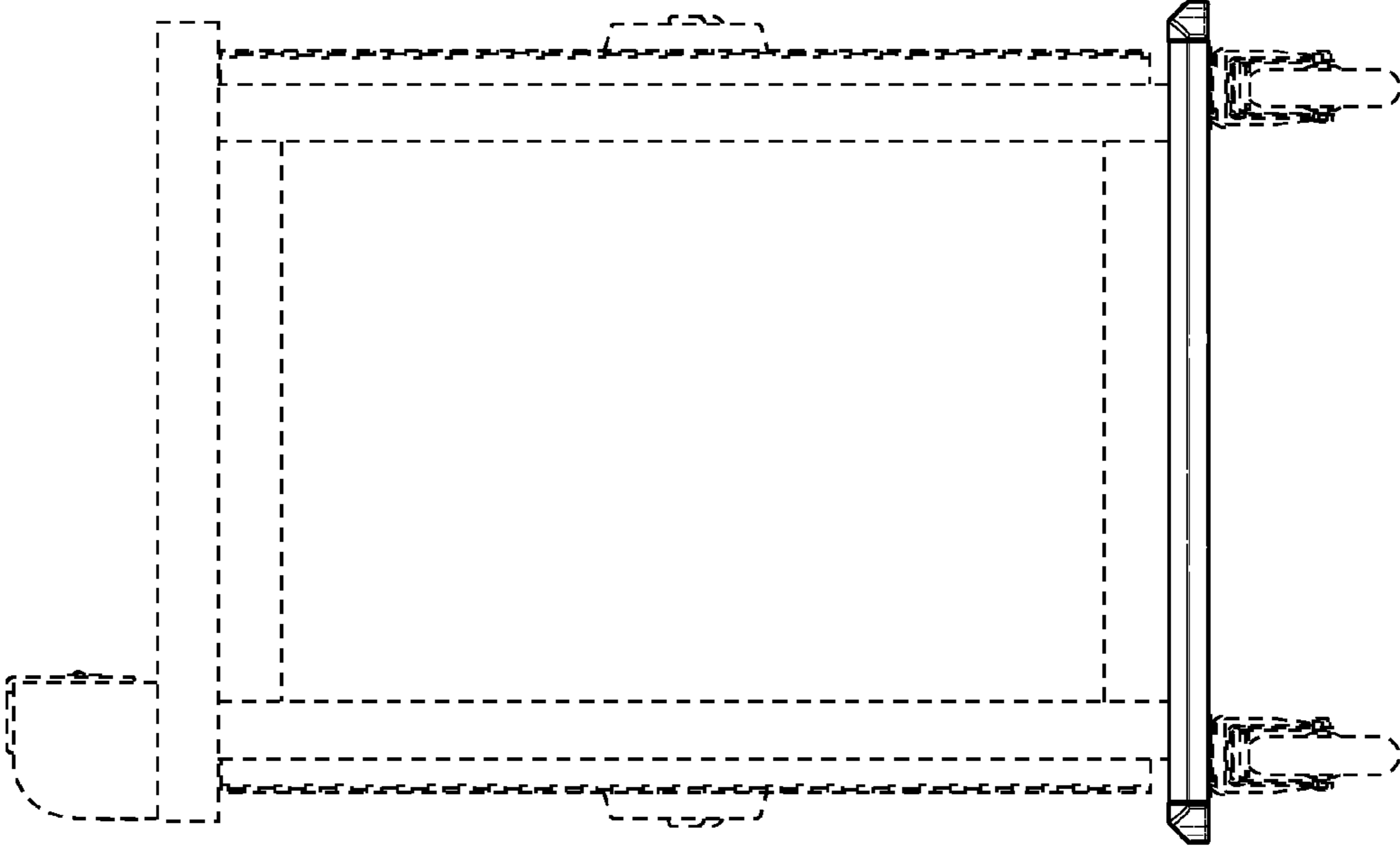


FIG. 3

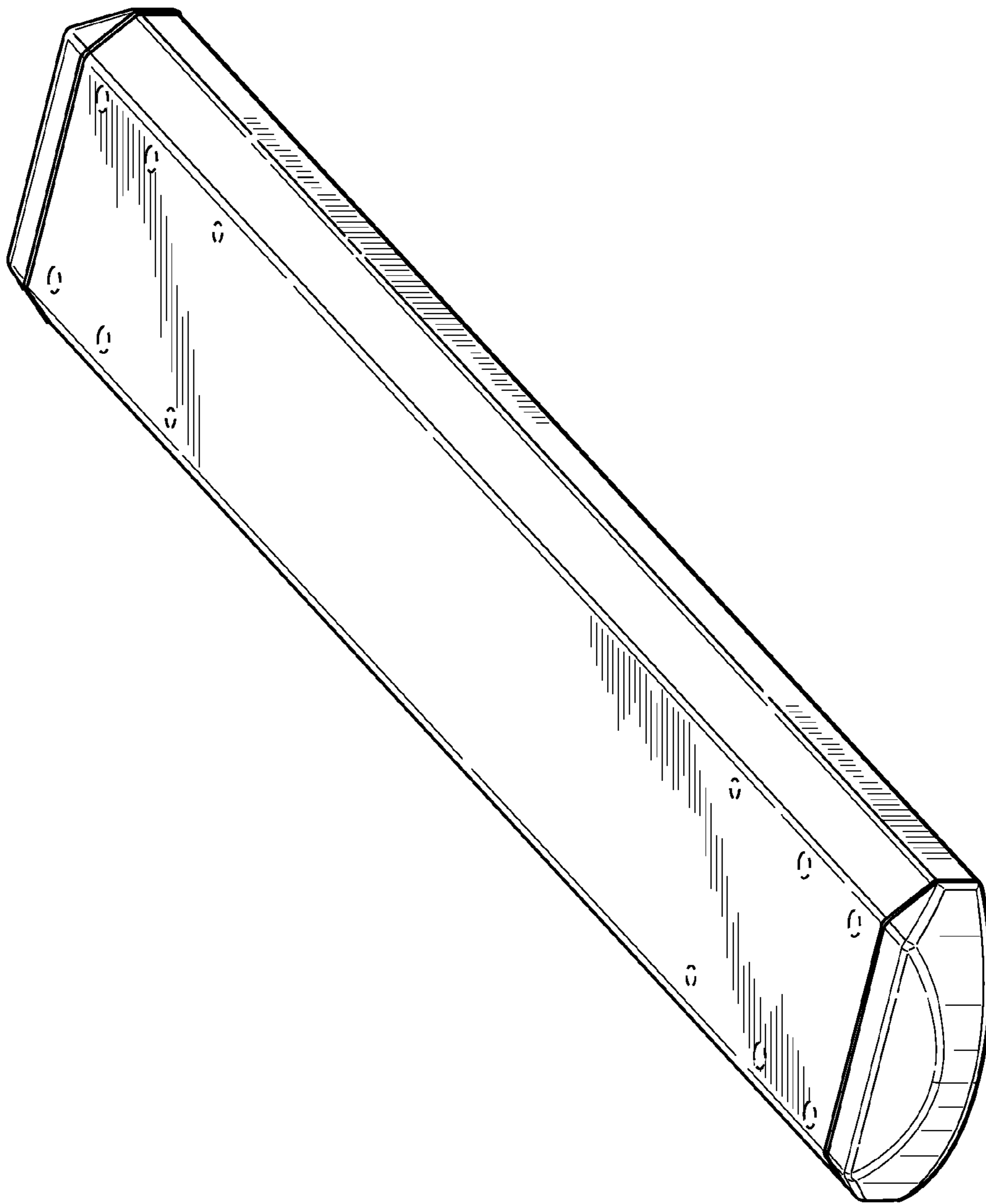
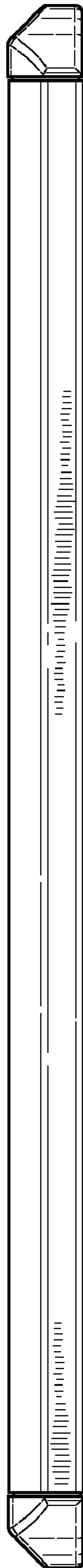
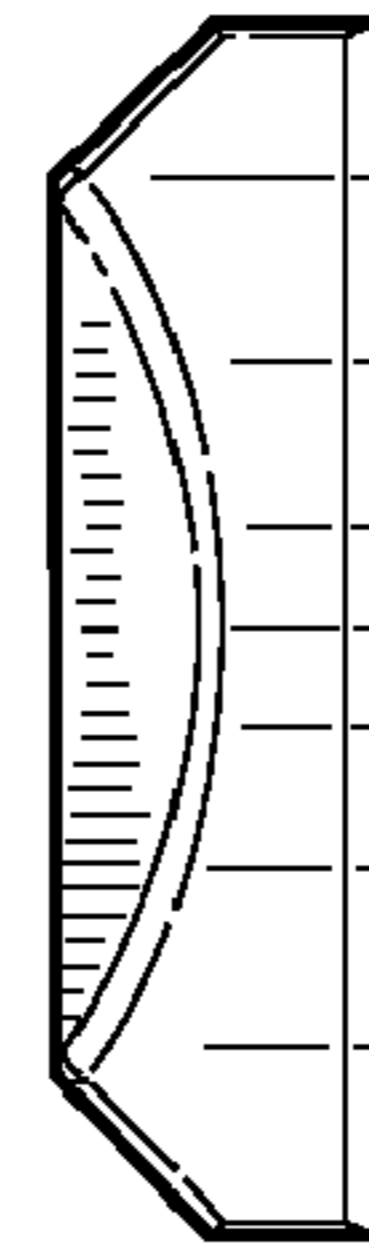


FIG. 4



**FIG. 5**



**FIG. 6**

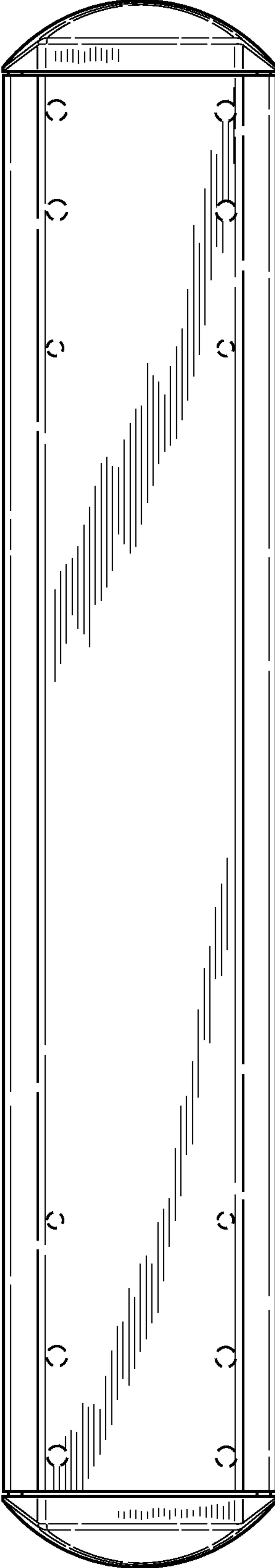


FIG. 7

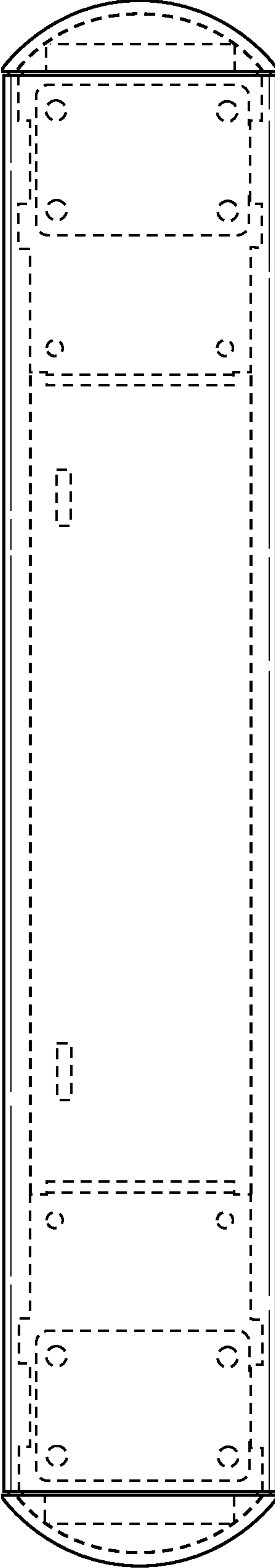


FIG. 8