



US00D627942S

(12) **United States Design Patent**
Chiu

(10) **Patent No.:** **US D627,942 S**
(45) **Date of Patent:** **** Nov. 23, 2010**

(54) **SCRAPER**

6,898,855 B2 * 5/2005 Jones et al. 30/169
D564,387 S * 3/2008 Rubin et al. D8/105
D586,512 S * 2/2009 van Deursen D32/46

(75) Inventor: **Lian-Zhen Chiu**, Taichung Hsien (TW)

(73) Assignee: **Goodly-CH Enterprise Co., Ltd.**, Ta-Tu Hsiang, Taichung Hsien (TW)

(**) Term: **14 Years**

(21) Appl. No.: **29/346,812**

(22) Filed: **Nov. 6, 2009**

(30) **Foreign Application Priority Data**

Oct. 27, 2009 (TW) 98305077

(51) **LOC (9) Cl.** **07-05**

(52) **U.S. Cl.** **D32/48**

(58) **Field of Classification Search** D8/45,
D8/105; D32/40, 46; 15/105.5, 220, 232,
15/236.01, 231.05, 231.07, 245.1; 425/105,
425/458; 30/169, 172

See application file for complete search history.

(56) **References Cited**

U.S. PATENT DOCUMENTS

D441,536 S * 5/2001 Jackson-MacDonald D4/135

* cited by examiner

Primary Examiner—Nanda Bondade

(74) *Attorney, Agent, or Firm*—Alan Kamrath; Kamrath & Associates PA

(57) **CLAIM**

The ornamental design for scraper, as shown and described.

DESCRIPTION

FIG. 1 is a perspective view of a scraper showing my new design;

FIG. 2 is a front view thereof;

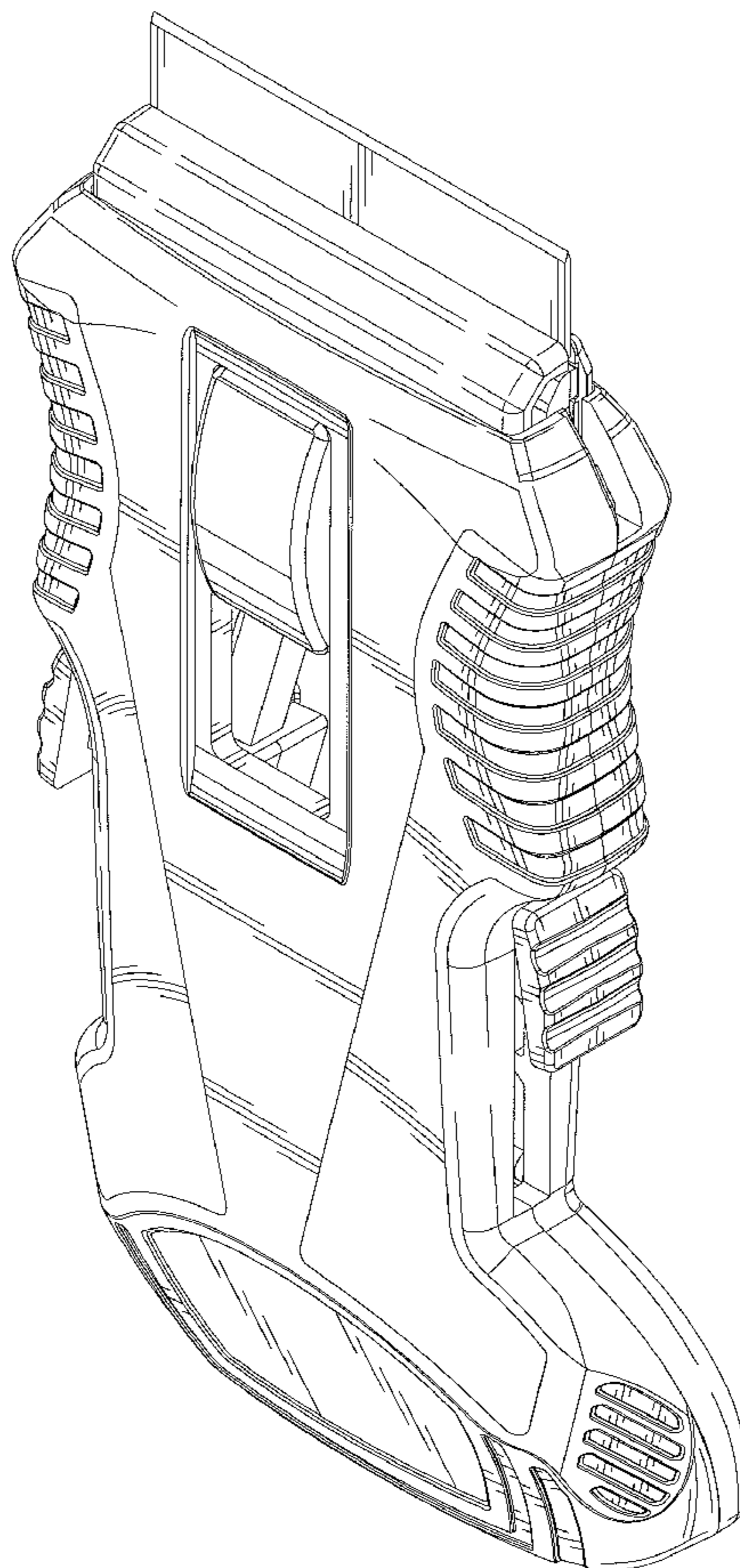
FIG. 3 is a rear view thereof;

FIG. 4 is a left view thereof; the opposite side being a mirror image of the shown;

FIG. 5 is a top view thereof; and,

FIG. 6 is a bottom view thereof.

1 Claim, 5 Drawing Sheets



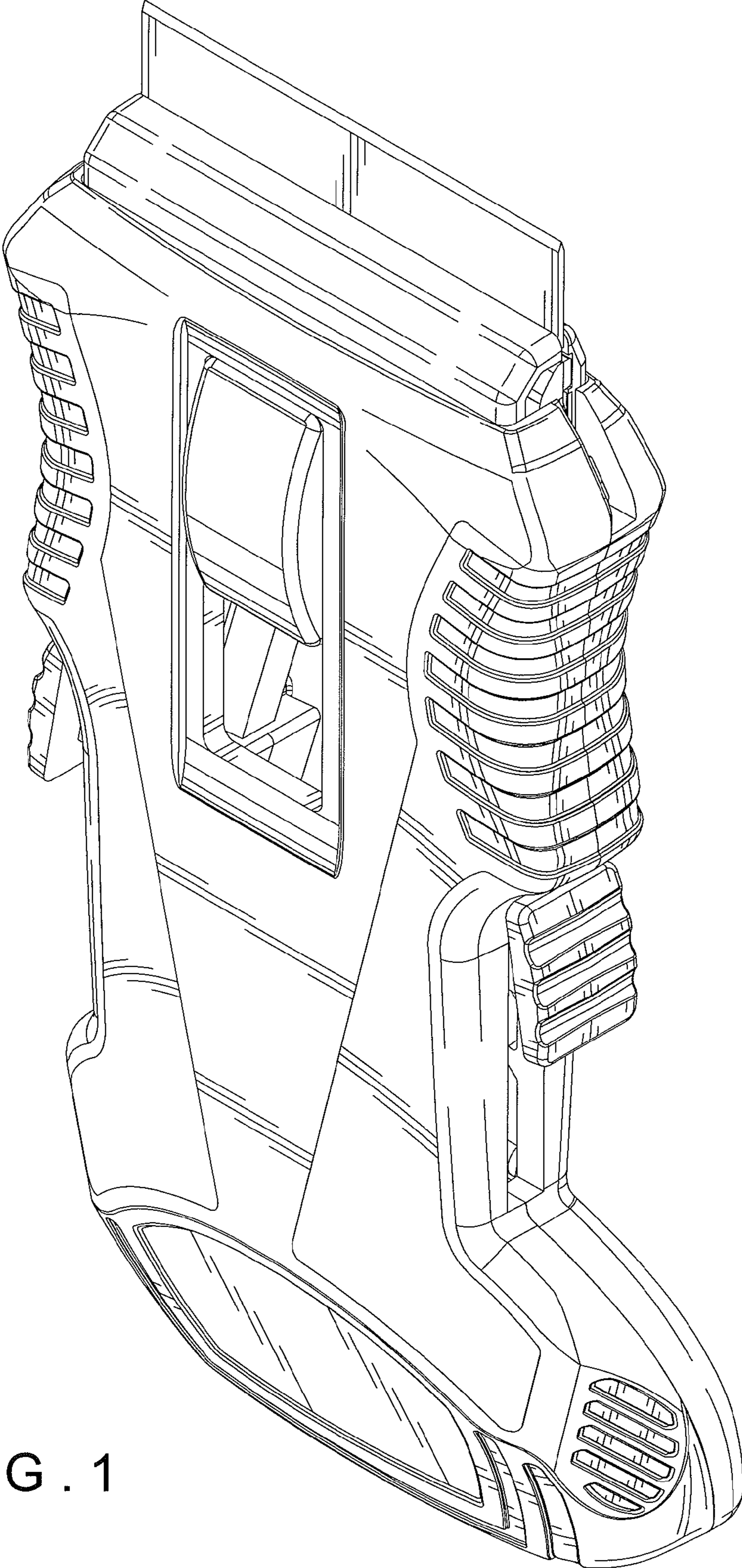


FIG . 1

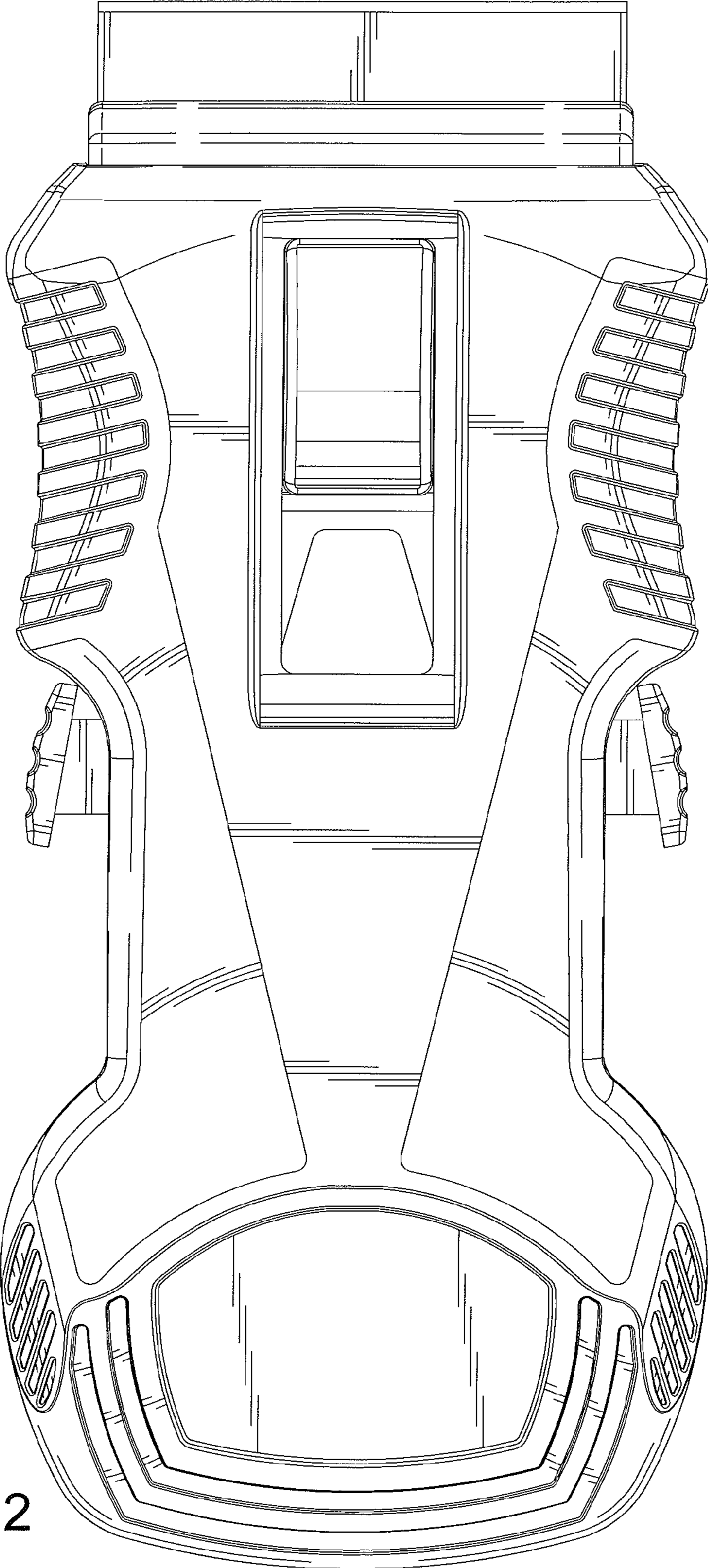


FIG . 2

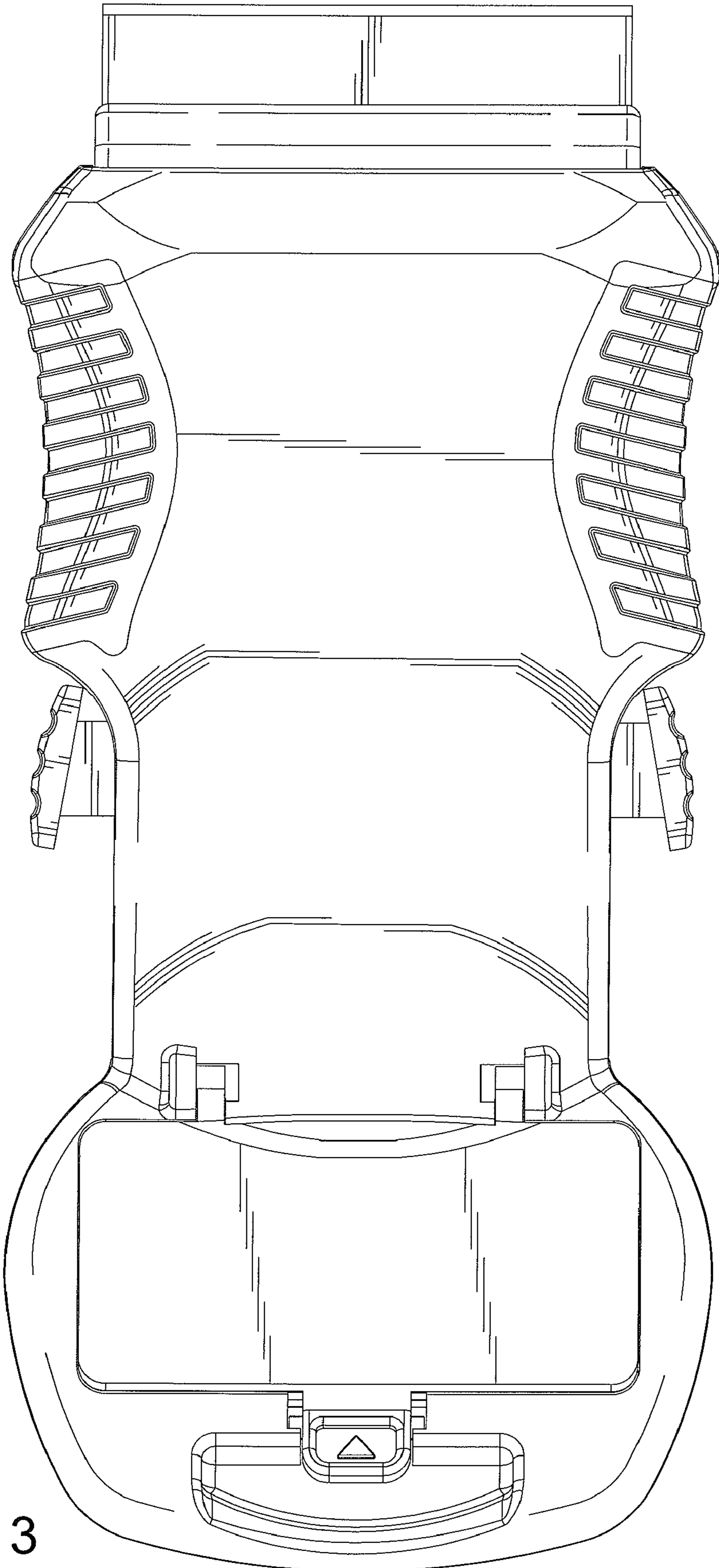


FIG . 3

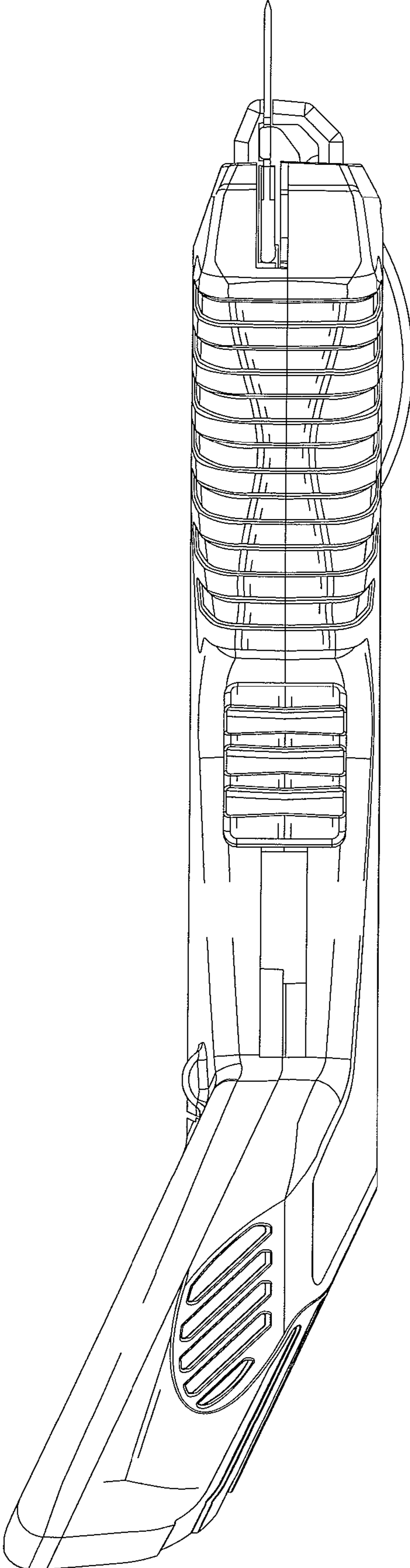


FIG . 4

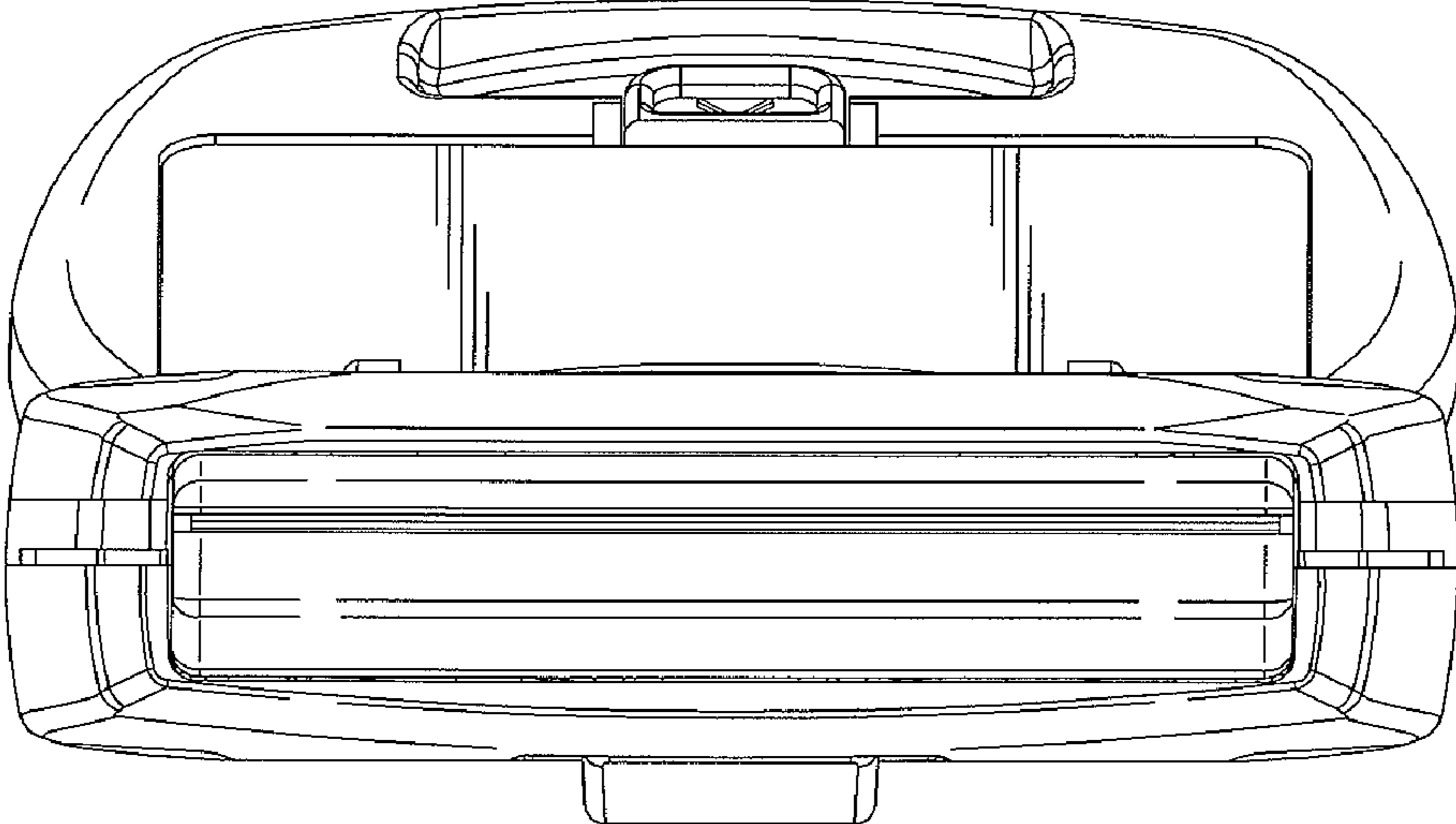


FIG . 5

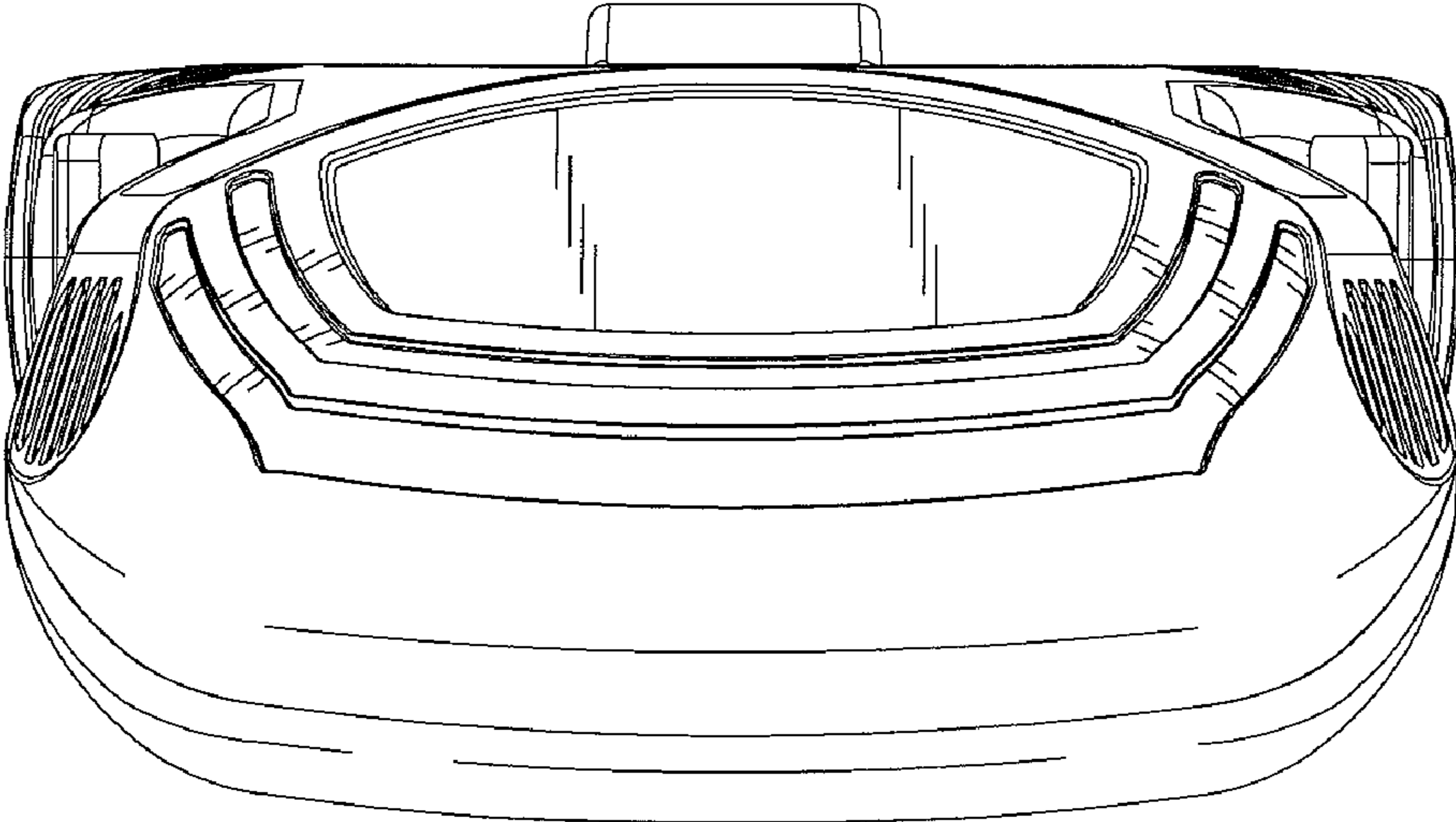


FIG . 6