



US00D627936S

(12) **United States Design Patent**
Ye

(10) **Patent No.:** **US D627,936 S**

(45) **Date of Patent:** **** Nov. 23, 2010**

(54) **PET WHEELCHAIR**

(75) Inventor: **Chris Ye**, Yinzhou Ningbo (CN)

(73) Assignee: **Sylvan, Inc.**, North Myrtle Beach, SC
(US)

(**) Term: **14 Years**

(21) Appl. No.: **29/363,016**

(22) Filed: **Jun. 3, 2010**

(51) **LOC (9) Cl.** **30-99**

(52) **U.S. Cl.** **D30/199**

(58) **Field of Classification Search** D30/144,
D30/151, 152, 160, 199; 119/722-729, 792,
119/751, 516, 738; 5/83.1; 452/53-56; 601/27,
601/35; 602/19; 280/62, 63, 65, 43, 47.131,
280/657; 168/48.1

See application file for complete search history.

(56) **References Cited**

U.S. PATENT DOCUMENTS

2,546,726	A *	3/1951	Creamer, Jr.	119/727
2,976,840	A *	3/1961	Hugus	119/727
3,215,117	A *	11/1965	Short	119/727
3,241,851	A *	3/1966	Dingbaum	280/657
3,406,661	A *	10/1968	Parkes	119/727
4,318,365	A *	3/1982	Eriksson	119/728
4,375,203	A *	3/1983	Parkes	119/727
4,449,481	A *	5/1984	Dear et al.	119/771
4,767,099	A *	8/1988	Munks	254/336
4,777,910	A *	10/1988	Pecor	119/702
4,796,565	A *	1/1989	Charbeneau	119/751

4,796,903	A *	1/1989	Proctor et al.	280/87.051
4,821,676	A *	4/1989	Hulterstrum	119/174
5,224,444	A *	7/1993	Hill et al.	119/727
5,778,827	A *	7/1998	Hansen	119/728
6,463,886	B1 *	10/2002	Rodden et al.	119/728
6,640,751	B1 *	11/2003	Cool	119/727
6,820,572	B1 *	11/2004	Parkes	119/727
7,389,749	B1 *	6/2008	Choate	119/726
D583,518	S *	12/2008	Thorner	D30/151
2004/0231613	A1 *	11/2004	Parkes	119/727
2005/0005875	A1 *	1/2005	Suggs	119/728

* cited by examiner

Primary Examiner—Susan Moon Lee

(74) *Attorney, Agent, or Firm*—Stephen J. Stark; Miller & Martin PLLC

(57) **CLAIM**

The ornamental design for a pet wheelchair, as is shown and described herein.

DESCRIPTION

FIG. 1 is a top perspective view of a pet wheelchair incorporating the claimed design;

FIG. 2 is a left side plan view thereof, the right side being a mirror image thereof;

FIG. 3 is a front elevational view thereof;

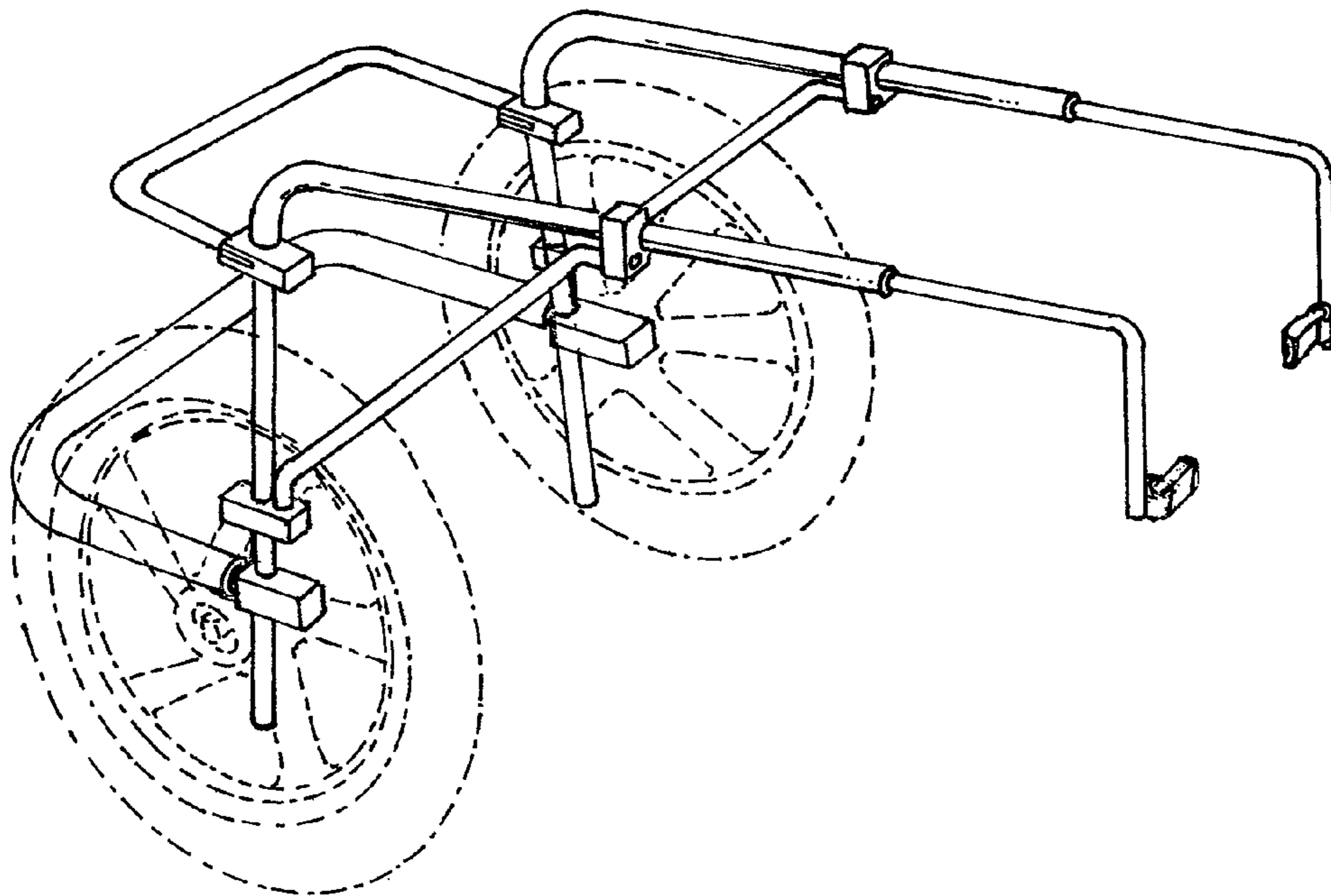
FIG. 4 is a rear elevational view thereof;

FIG. 5 is a bottom plan view thereof; and,

FIG. 6 is a top elevational view thereof.

Elements in broken line are not claimed.

1 Claim, 3 Drawing Sheets



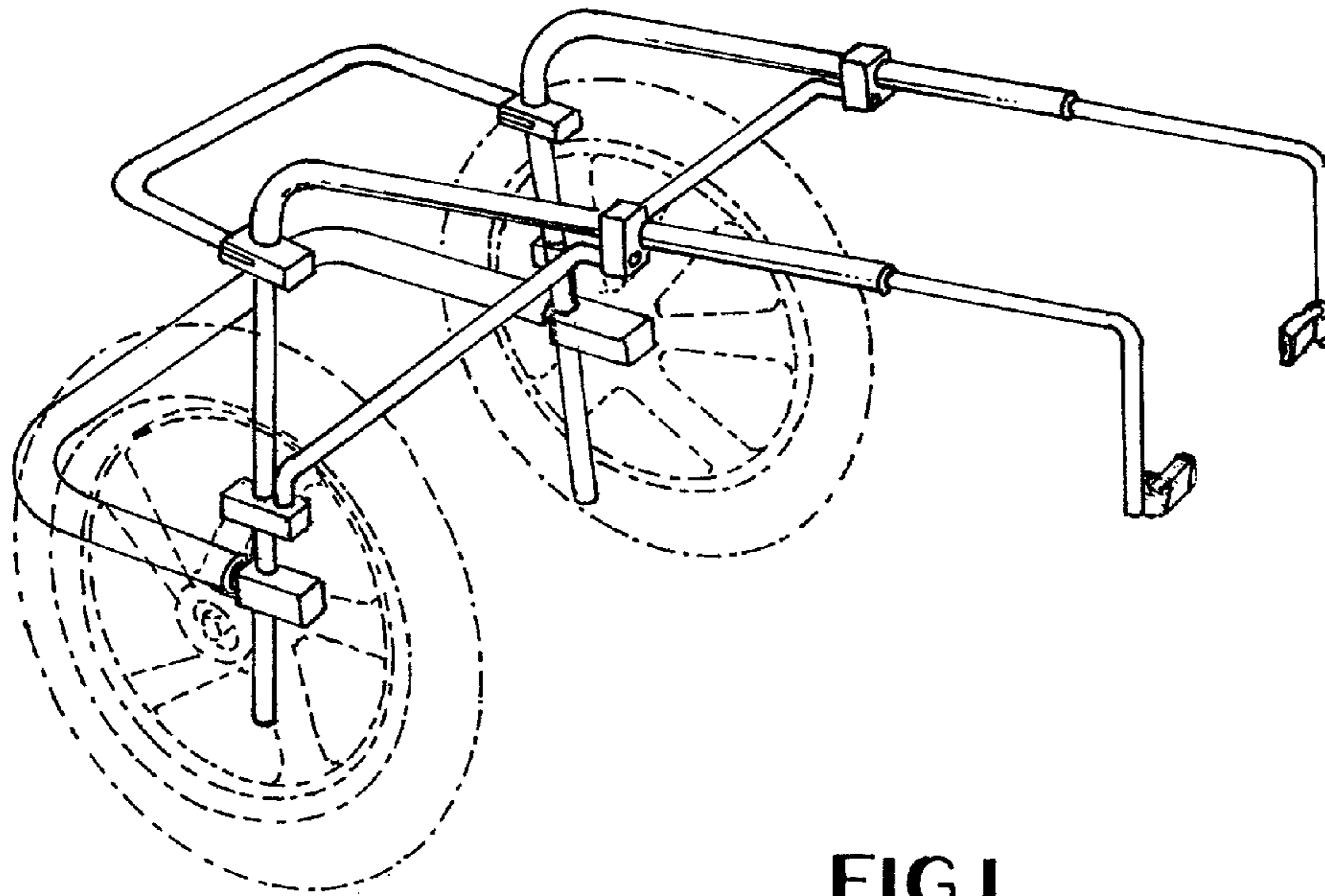


FIG. 1

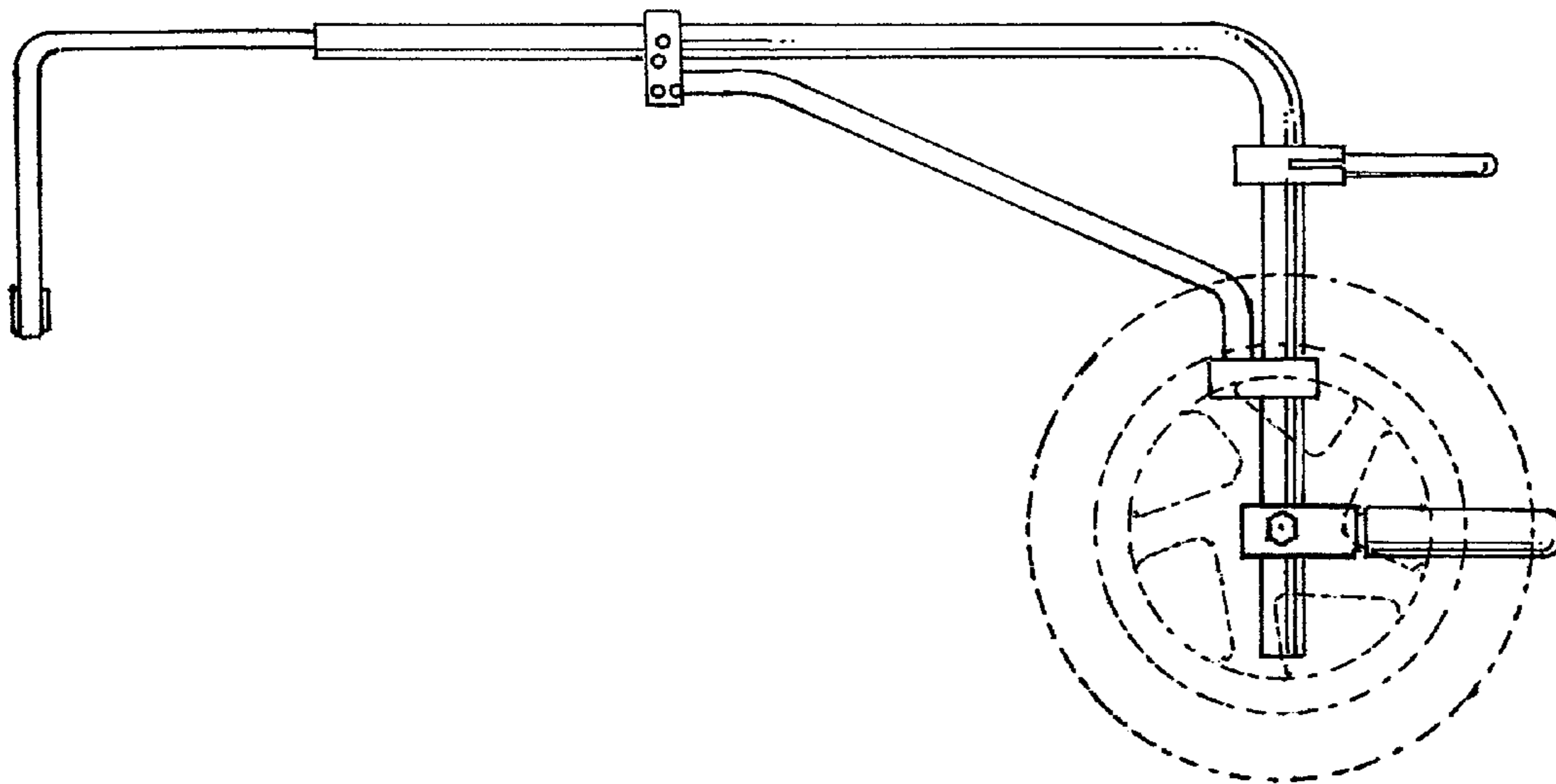


FIG. 2

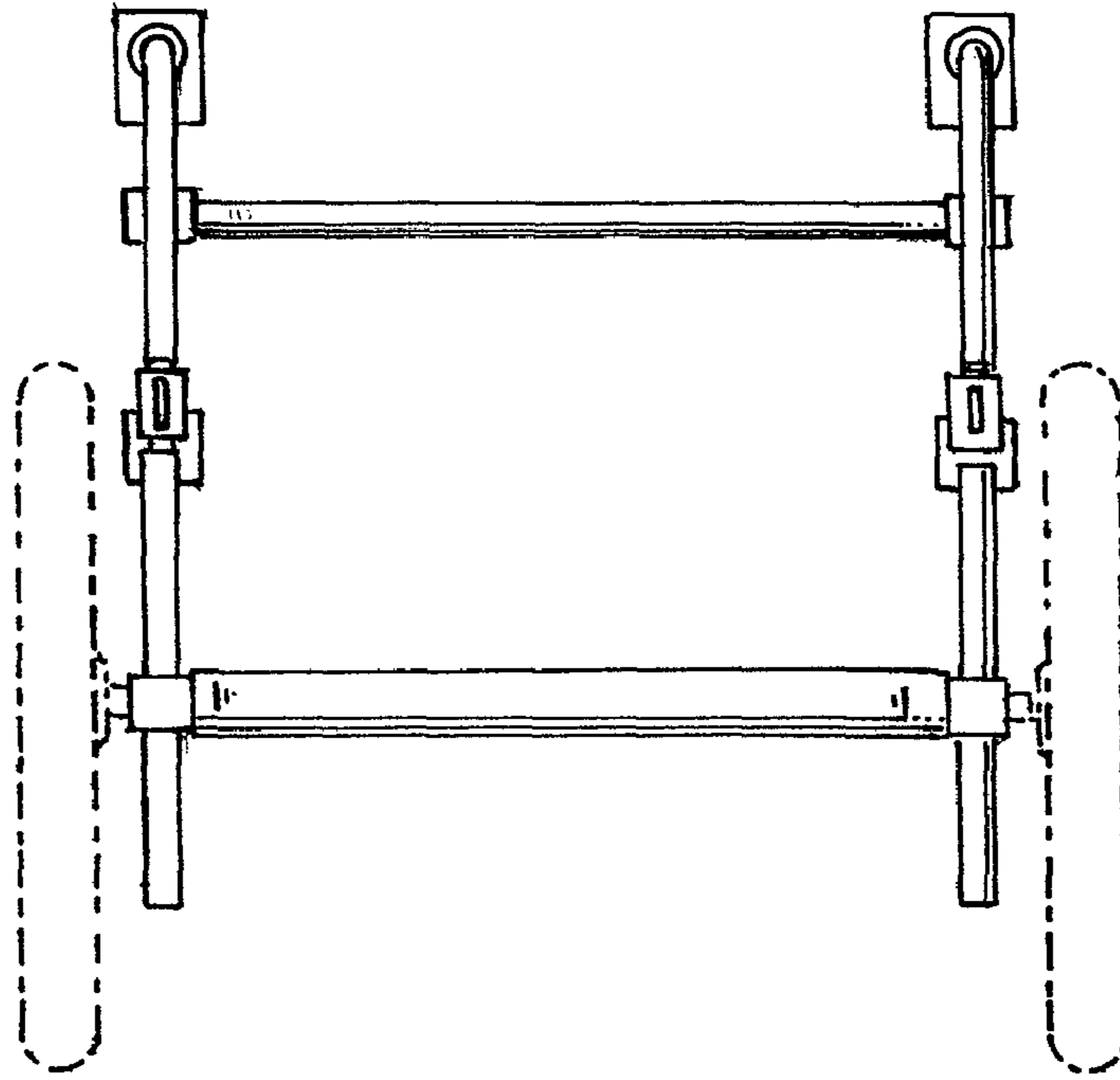


FIG. 3

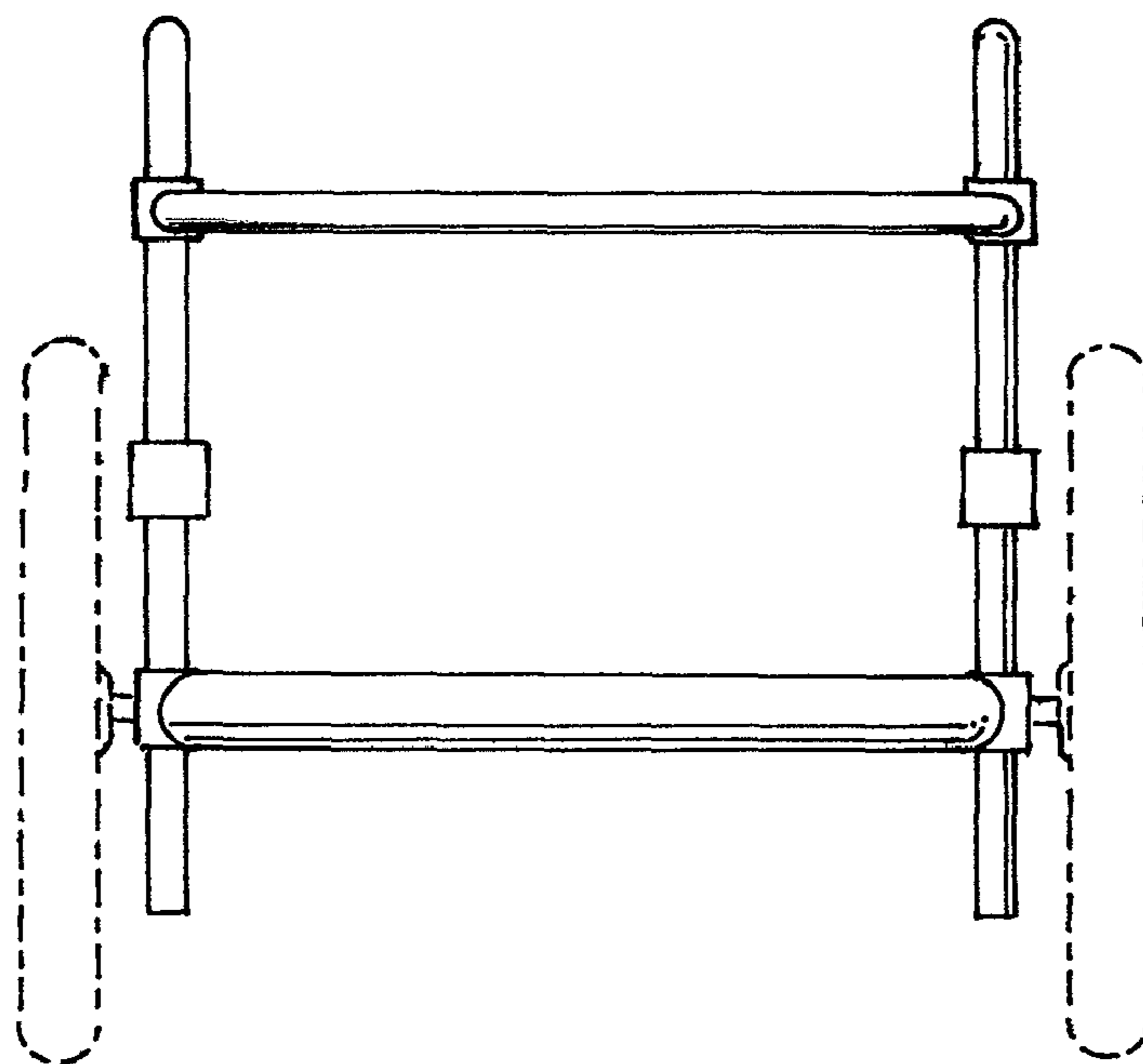


FIG. 4

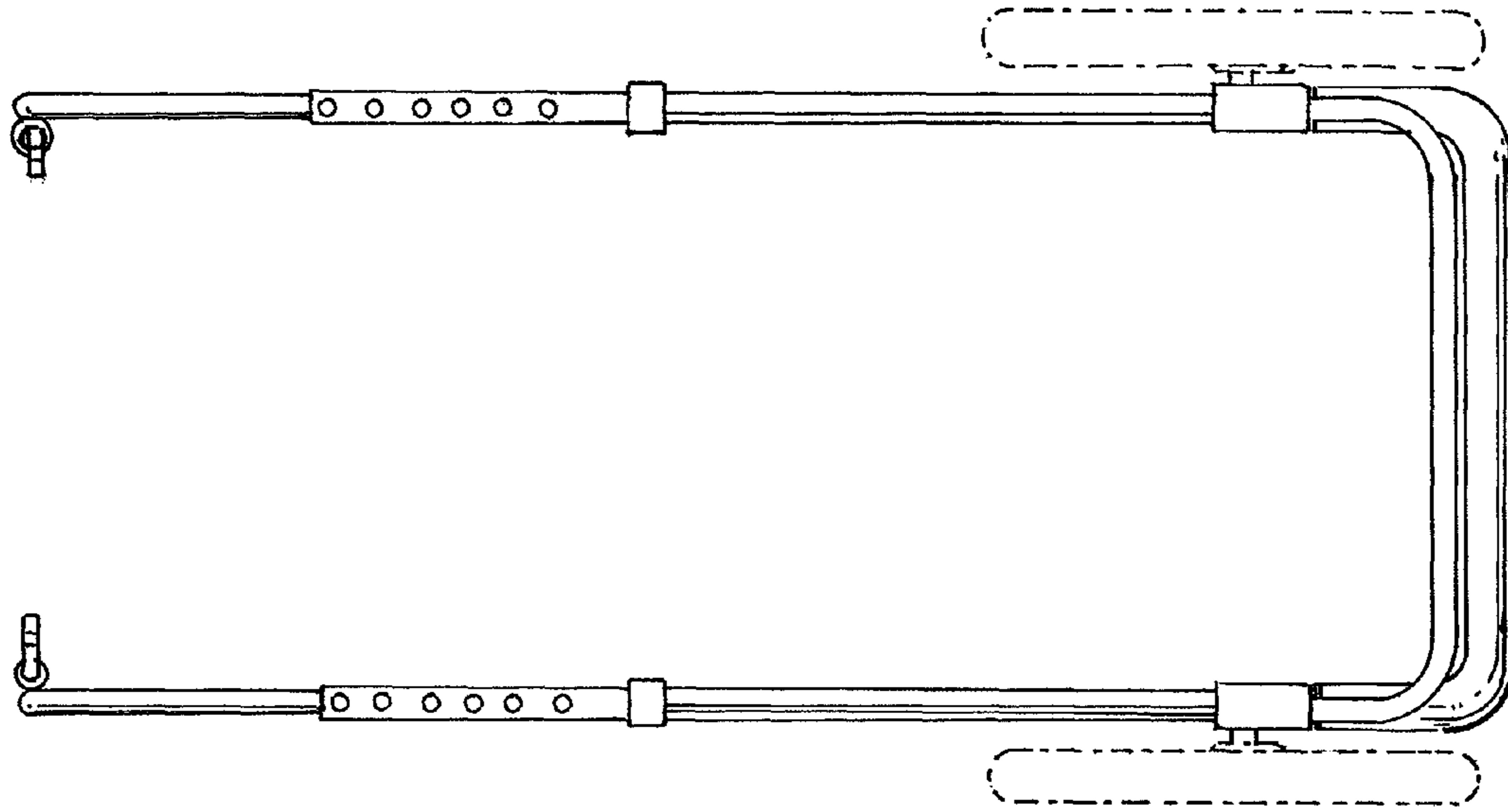


FIG. 5

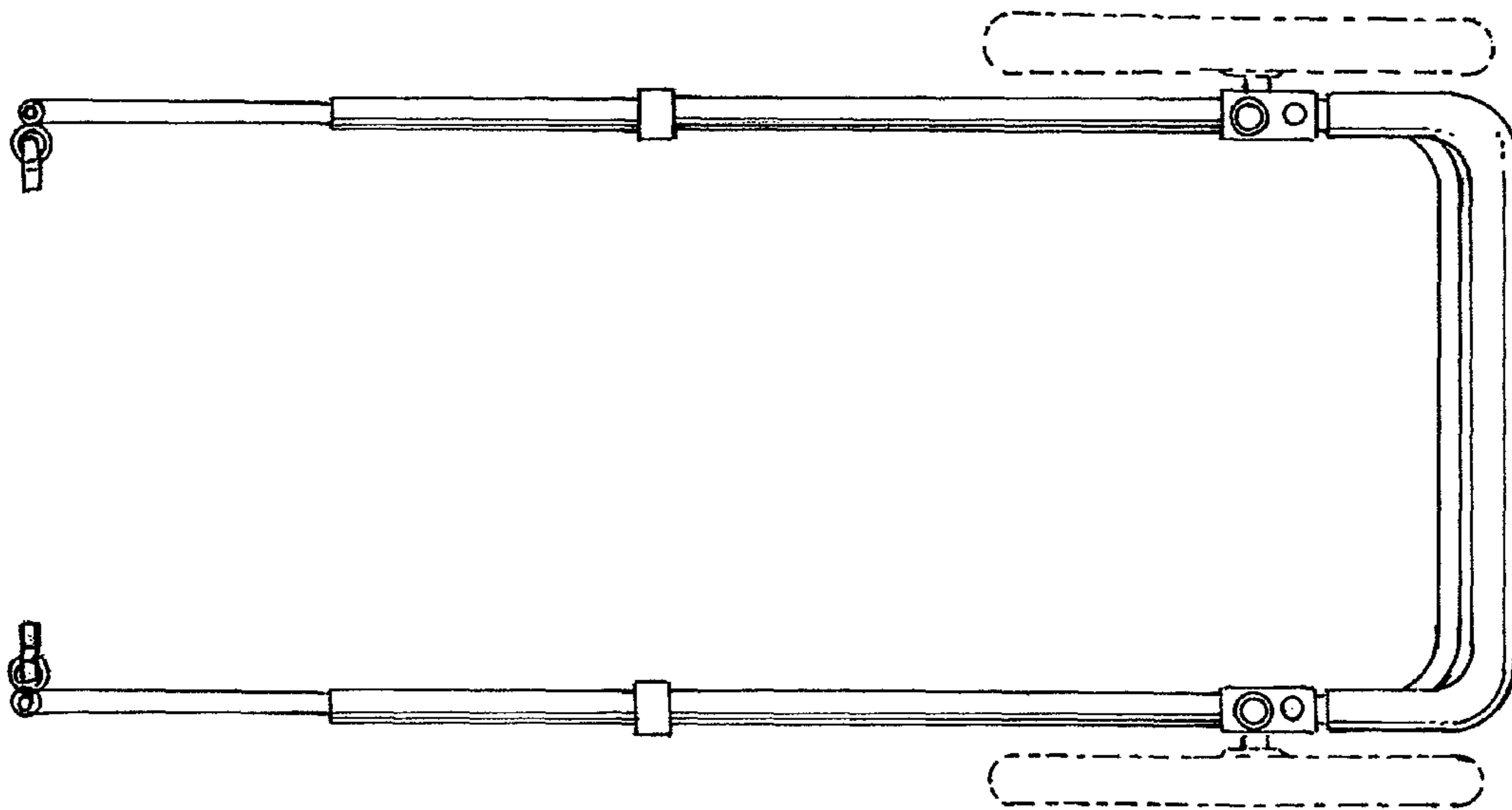


FIG. 6