



US00D627932S

(12) **United States Design Patent**
Mendoza

(10) **Patent No.:** **US D627,932 S**
(45) **Date of Patent:** **** Nov. 23, 2010**

(54) **BODY-WORN CUSHION**

(76) Inventor: **Nicomedes Mendoza**, 6643 Haskell Ave.
202, Van Nuys, CA (US) 91406

(**) Term: **14 Years**

(21) Appl. No.: **29/361,708**

(22) Filed: **May 13, 2010**

Related U.S. Application Data

(63) Continuation-in-part of application No. 29/320,691,
filed on Aug. 25, 2008.

(51) **LOC (9) Cl.** **02-04**

(52) **U.S. Cl.** **D29/101.5**

(58) **Field of Classification Search** D29/100,
D29/101, 101.1, 101.2, 101.3, 101.4, 101.5;
D6/610, 611, 612; 182/3, 4, 6; 244/151 R;
D24/100, 101; 2/400

See application file for complete search history.

(56) **References Cited**

U.S. PATENT DOCUMENTS

4,894,869 A * 1/1990 Boll 2/400
D378,447 S * 3/1997 Riley D29/101.1
D419,726 S * 1/2000 Hurtado D29/101.1

D614,902 S * 5/2010 Powell D6/611
D615,249 S * 5/2010 McGuigan et al. D29/101.1

* cited by examiner

Primary Examiner—Robert M Spear

Assistant Examiner—Barbara B Lohr

(74) *Attorney, Agent, or Firm*—John K. Park; Park Law Firm

(57) **CLAIM**

The ornamental design for a body-worn cushion, as shown
and described.

DESCRIPTION

FIG. 1 is a perspective view of a body-worn cushion showing
my new design;

FIG. 2 is a rear plan view thereof;

FIG. 3 is a front plan view thereof;

FIG. 4 is a side plan view thereof;

FIG. 5 is a top plan view thereof;

FIG. 6 is a bottom plan view thereof; and,

FIG. 7 is a perspective view of a body-worn cushion worn by
a user.

The broken line showing of environment is for illustrative
purposes only and forms no part of the claimed design.

1 Claim, 4 Drawing Sheets

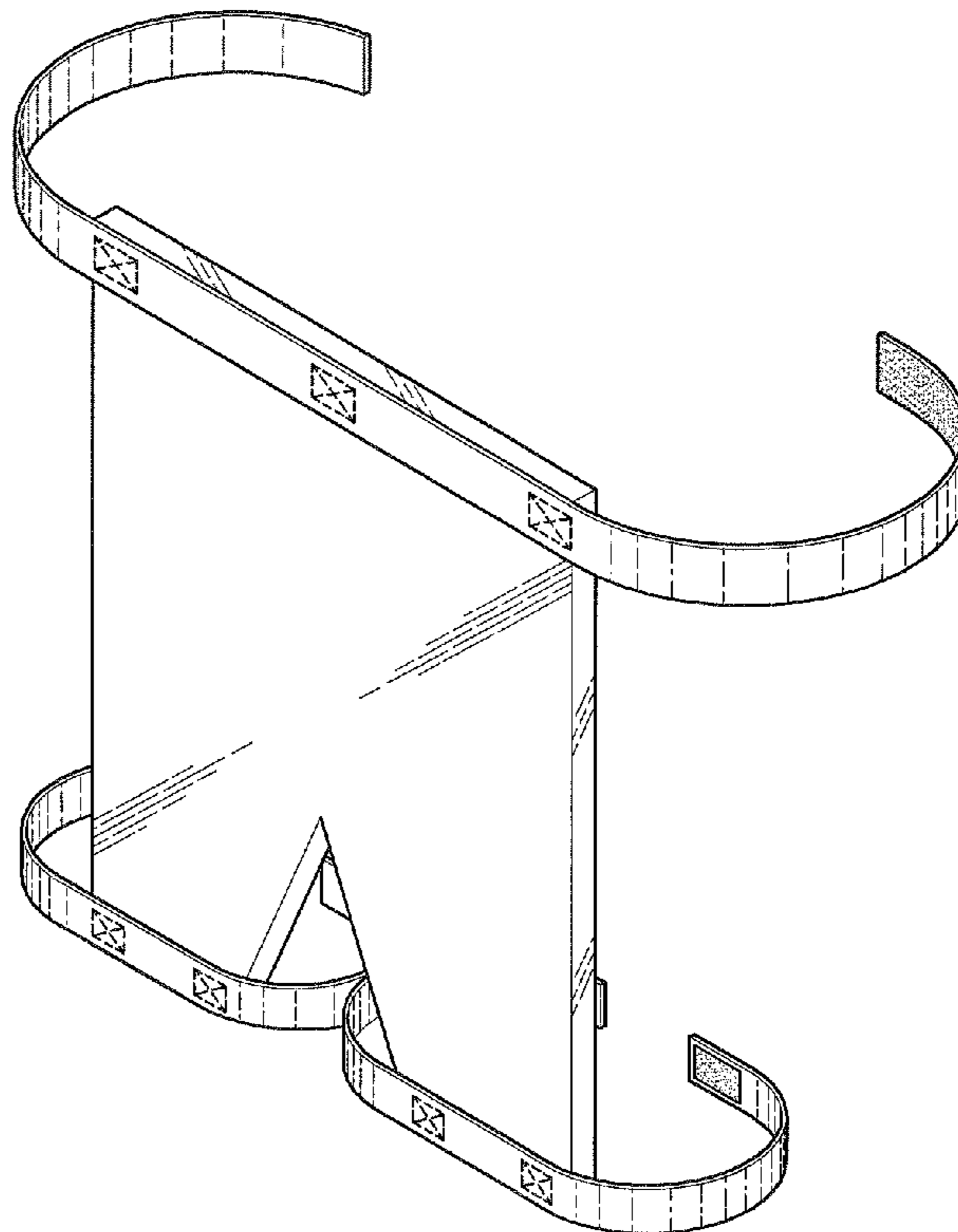


FIG. 1

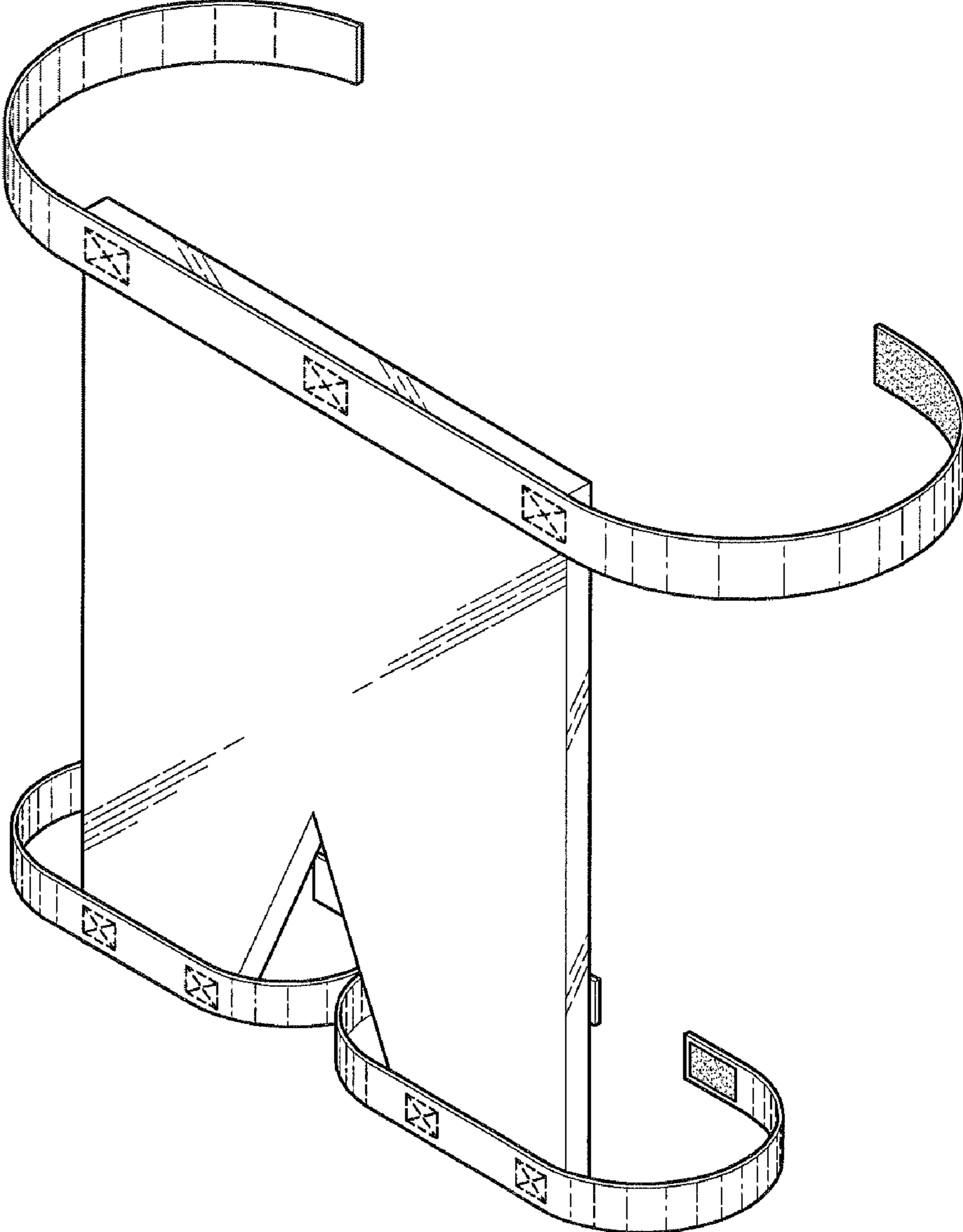


FIG. 2

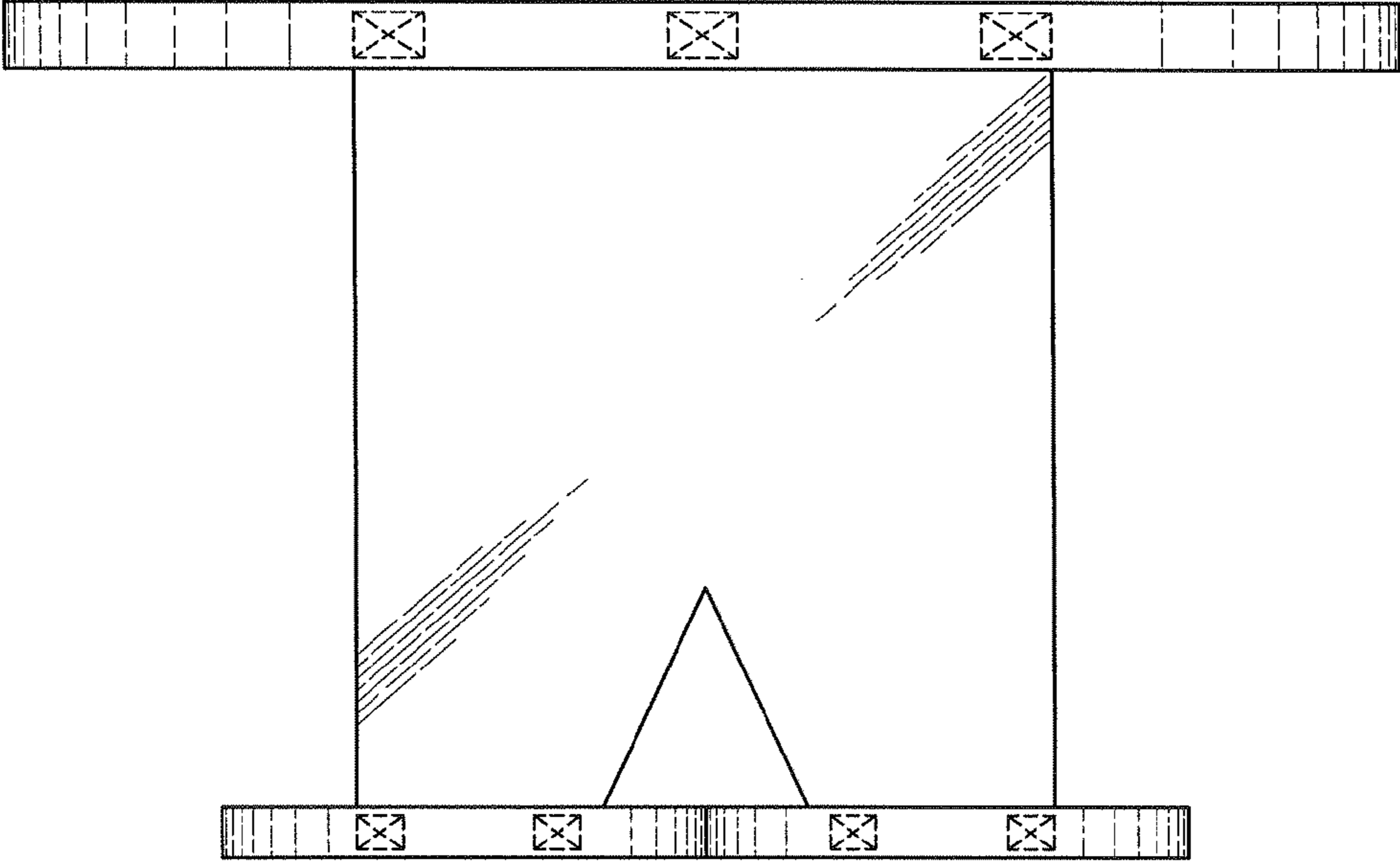


FIG. 3

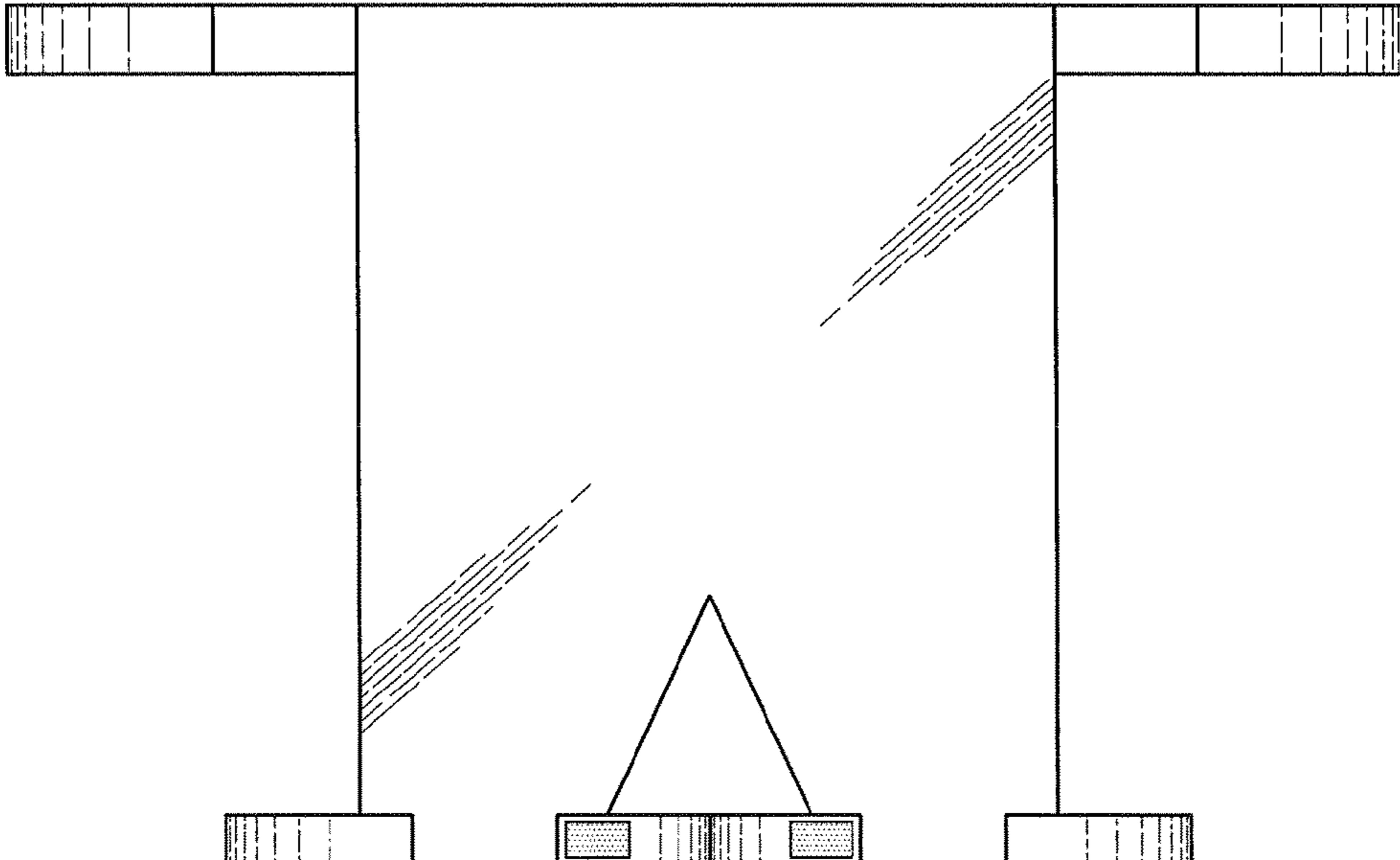


FIG. 4

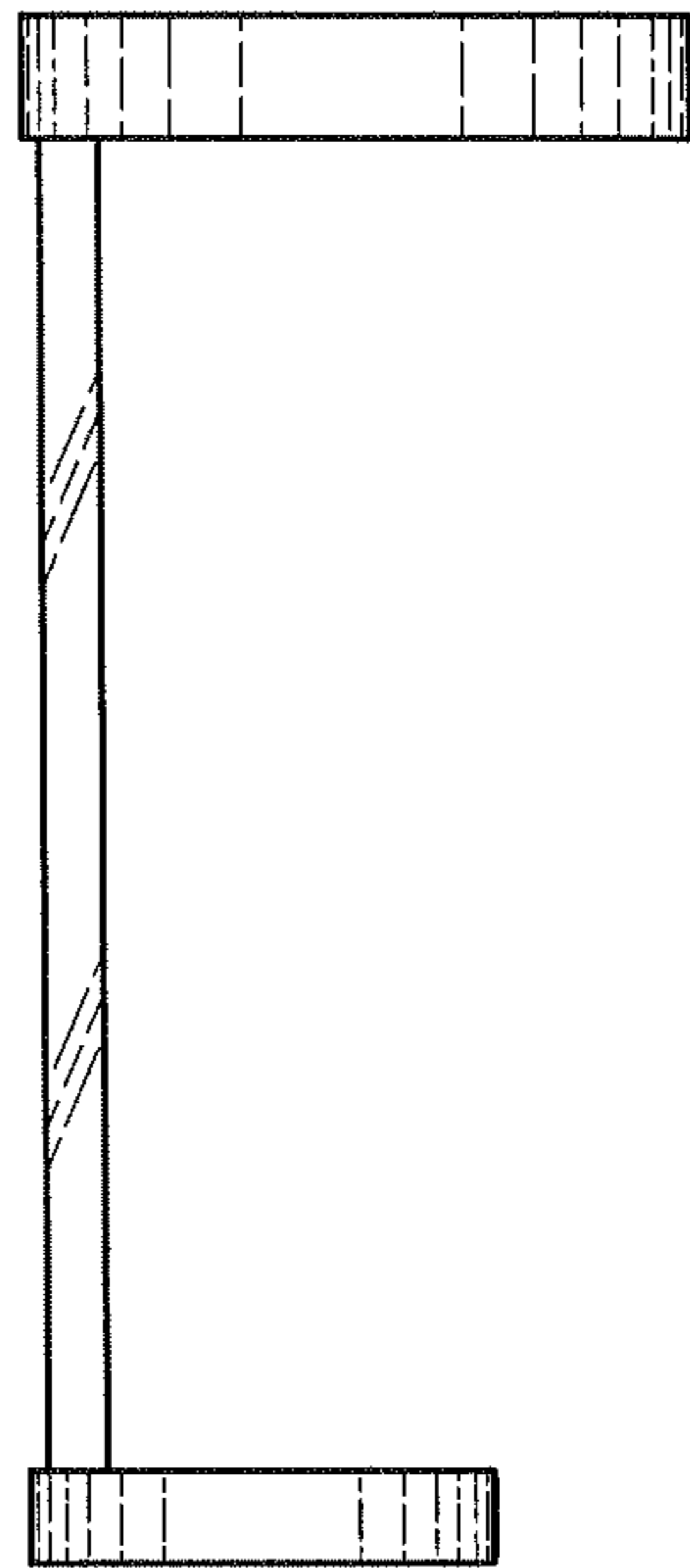


FIG. 5

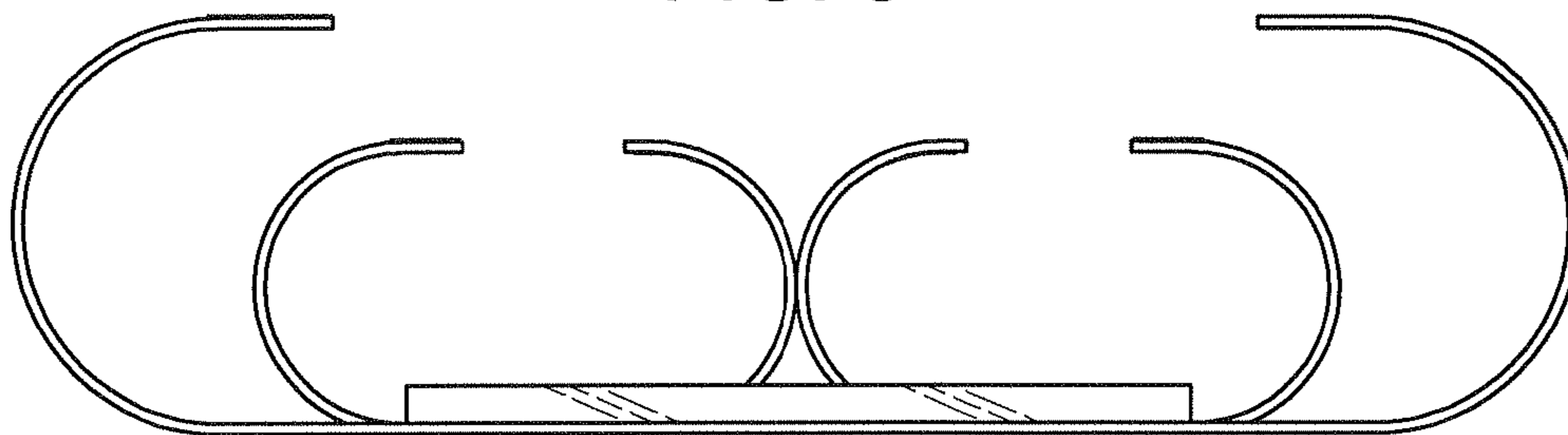


FIG. 6

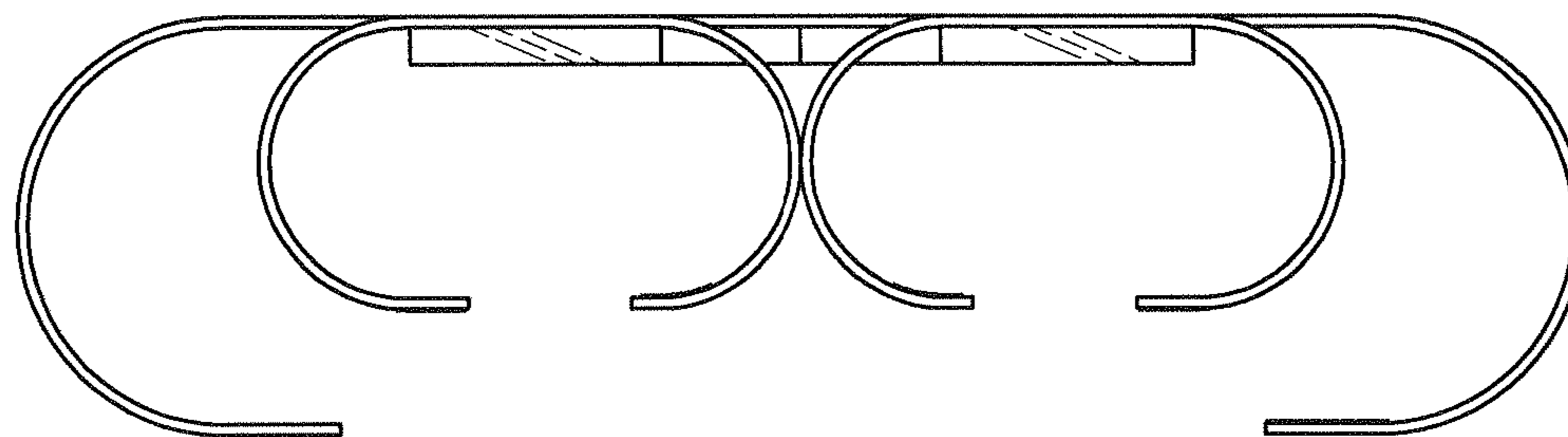


FIG. 7

