



US00D627931S

(12) **United States Design Patent**
Barresi et al.

(10) **Patent No.:** **US D627,931 S**

(45) **Date of Patent:** **** Nov. 23, 2010**

(54) **COSMETIC CASE**

(75) Inventors: **Donald N. Barresi**, Staten Island, NY (US); **Vincent Siviglia**, Rockville Center, NY (US); **Michael Murello**, Freehold, NJ (US)

(73) Assignee: **Innovative Cosmetic Concepts LLC**, New York, NY (US)

(**) Term: **14 Years**

(21) Appl. No.: **29/344,626**

(22) Filed: **Oct. 1, 2009**

(51) **LOC (9) Cl.** **28-03**

(52) **U.S. Cl.** **D28/83; D9/423**

(58) **Field of Classification Search** D28/76-84;
D9/500, 503-505, 414, 418, 420-423, 428;
206/581, 823; 132/286-318

See application file for complete search history.

(56) **References Cited**

U.S. PATENT DOCUMENTS

D290,536 S *	6/1987	Nadel	D28/83
D473,681 S *	4/2003	Thorpe	D28/83
D476,116 S *	6/2003	Cohen	D28/83
D482,494 S	11/2003	Sheng		
D505,517 S	5/2005	Baresi et al.		
D553,798 S *	10/2007	Goswell	D28/83
D564,707 S	3/2008	Barresi		
D595,127 S *	6/2009	Gibson	D9/423

* cited by examiner

Primary Examiner—Jennifer Rivard

(74) *Attorney, Agent, or Firm*—Gottlieb, Rackman & Reisman, PC

(57) **CLAIM**

The ornamental design for a cosmetic case, as shown and described.

DESCRIPTION

FIG. 1 is a top, front and right side perspective view of my new design wherein the cosmetic case is in a closed condition;

FIG. 2 is a top, front and right side perspective view of my new design wherein the cosmetic case is in a partially open condition;

FIG. 3 is a front elevational view thereof;

FIG. 4 is a left side elevational view thereof, with the right side elevational view being a mirror image;

FIG. 5 is a rear elevational view thereof;

FIG. 6 is a top, front and right side perspective view of my new design wherein the cosmetic case is in a fully open condition;

FIG. 7 is a top view thereof;

FIG. 8 is a front elevational view thereof;

FIG. 9 is a left side elevational view thereof, with the right side elevational view being a mirror image;

FIG. 10 is a rear elevational view thereof; and,

FIG. 11 is a bottom view thereof.

1 Claim, 5 Drawing Sheets

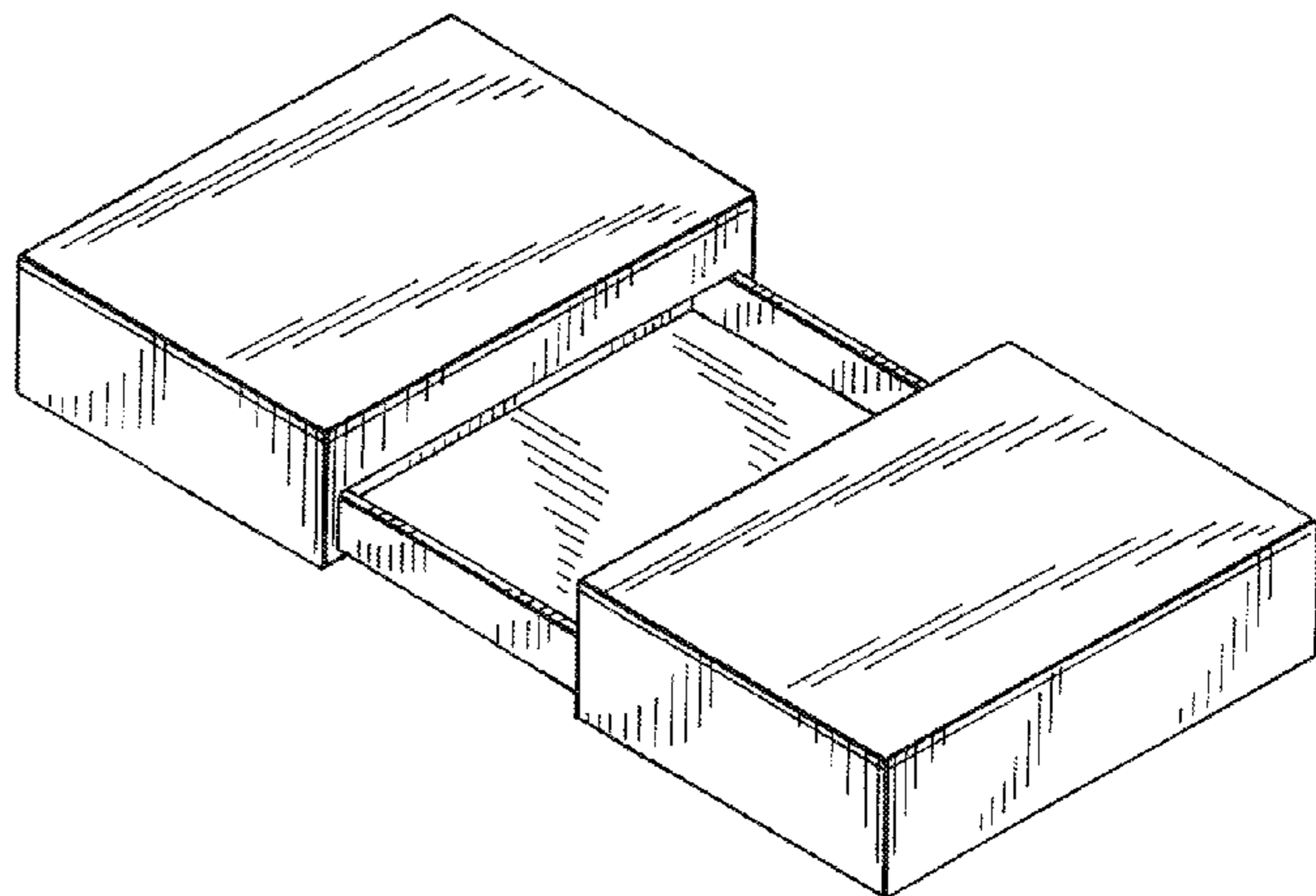
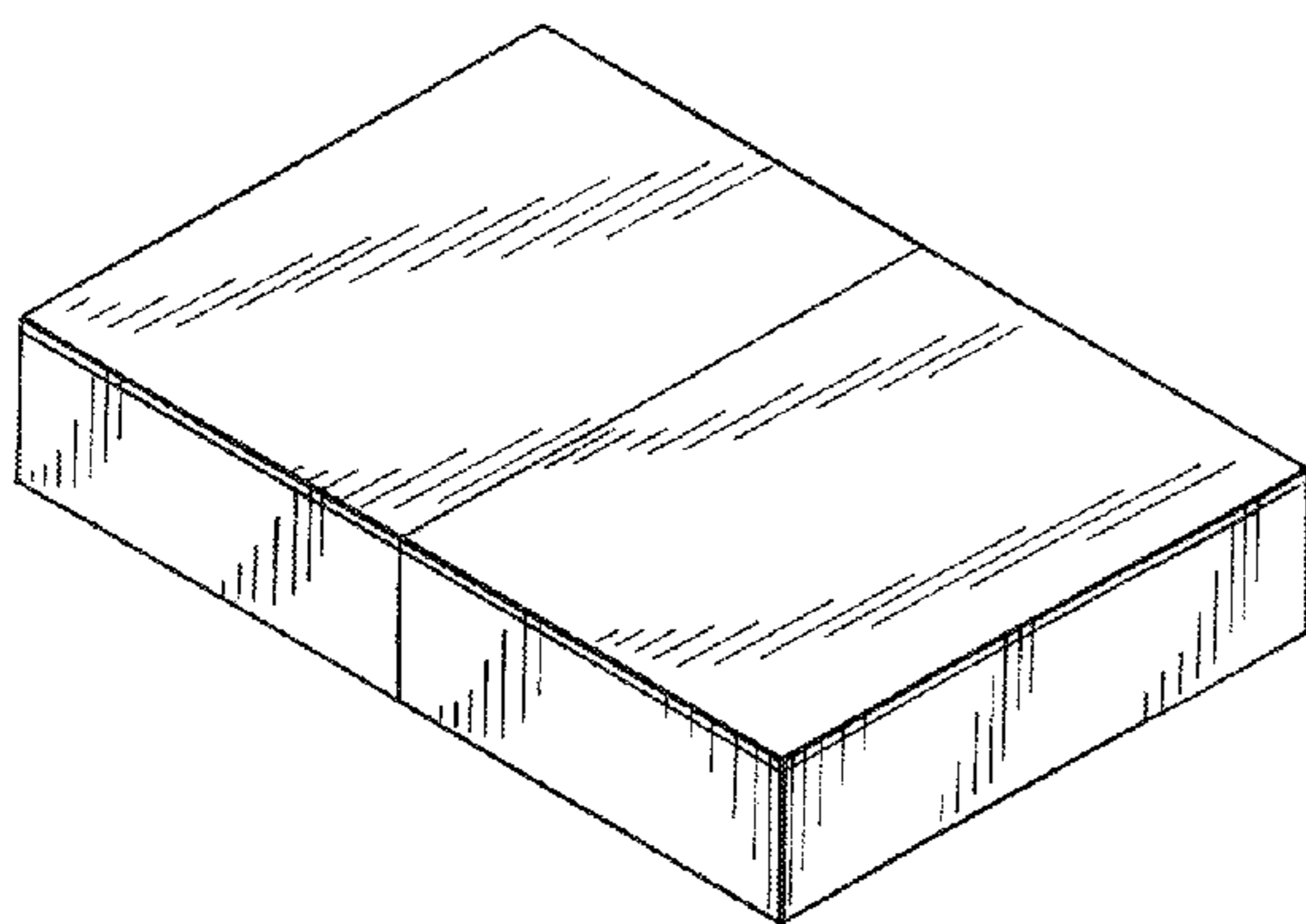


FIG. 1

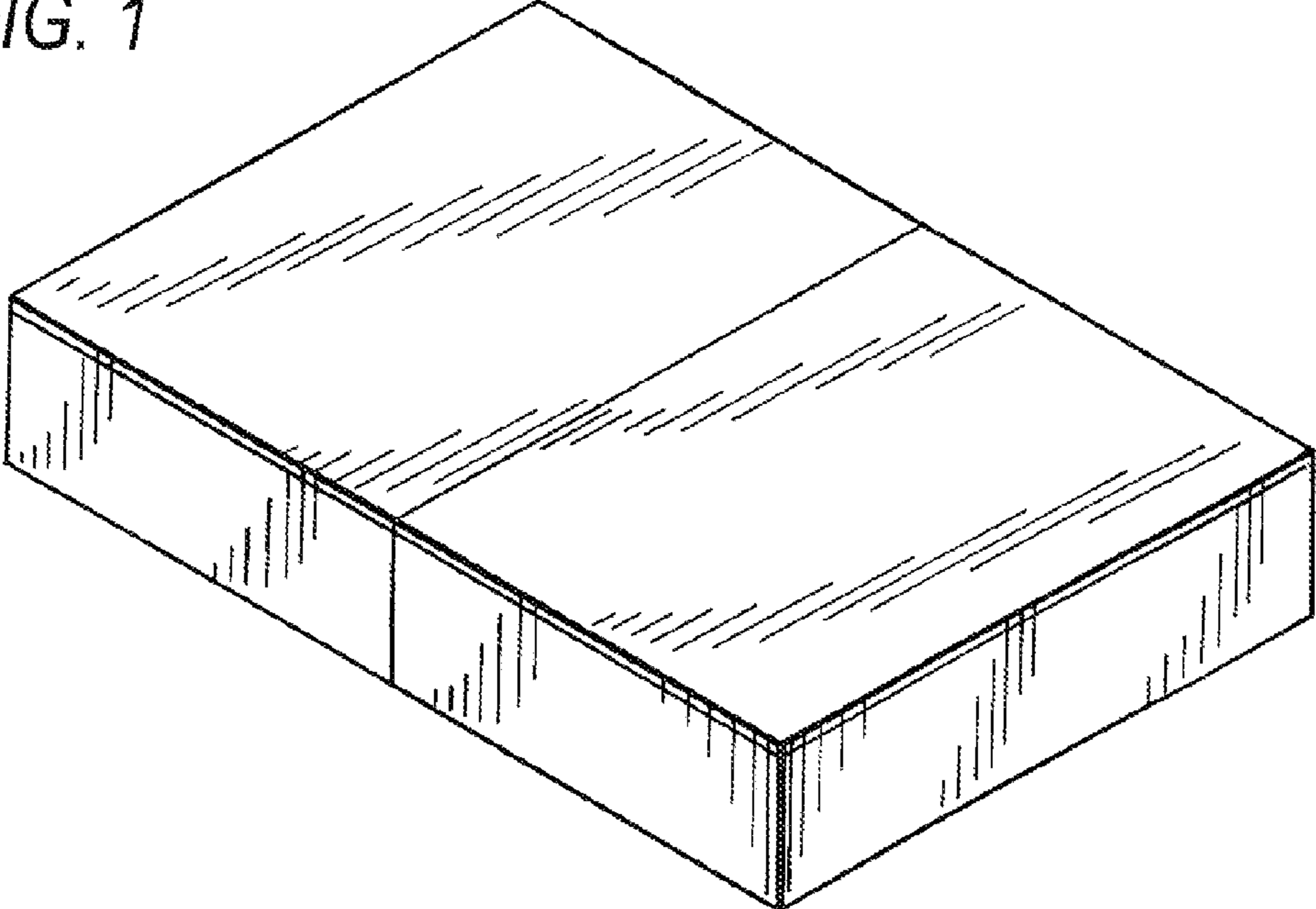


FIG. 2

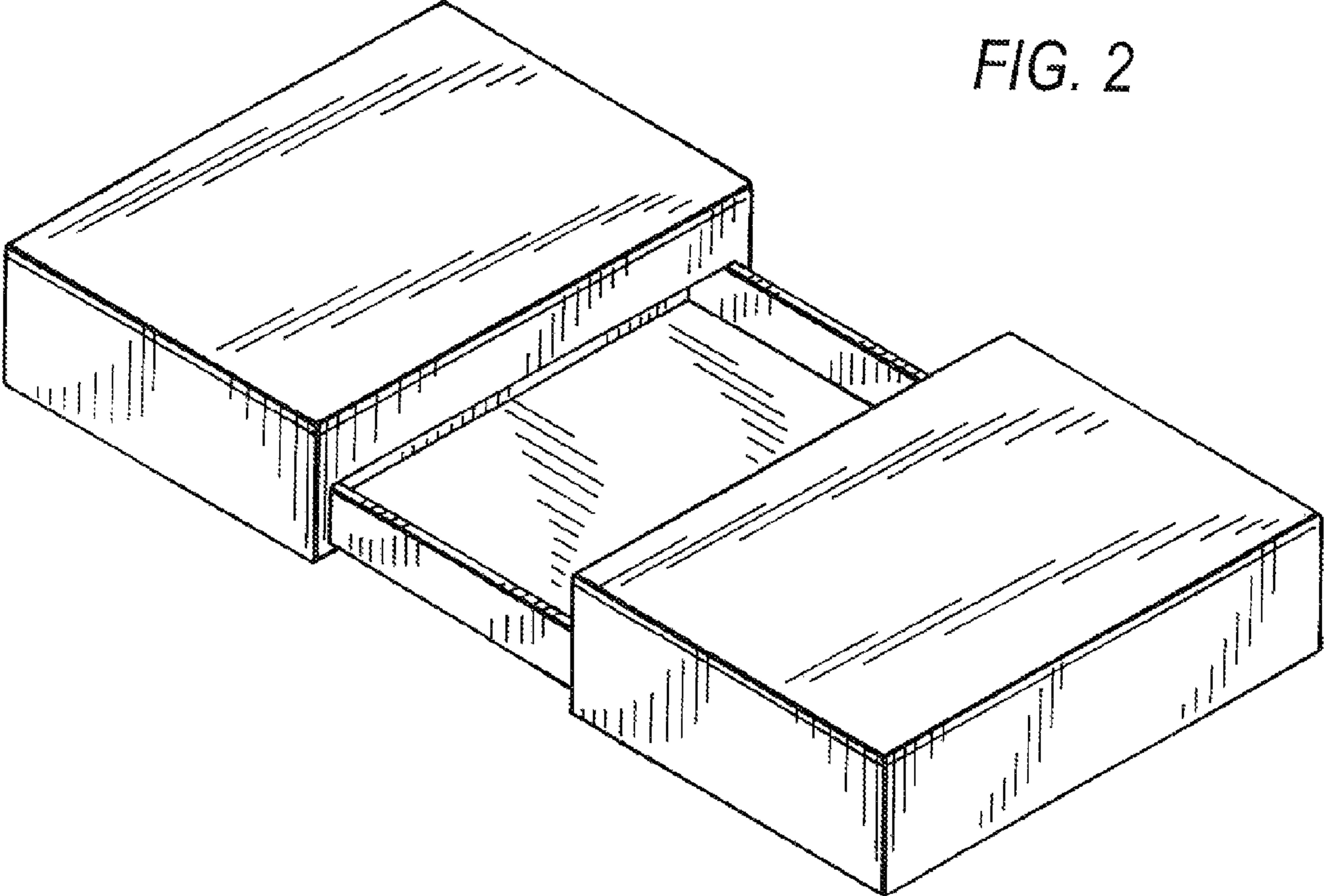




FIG. 3

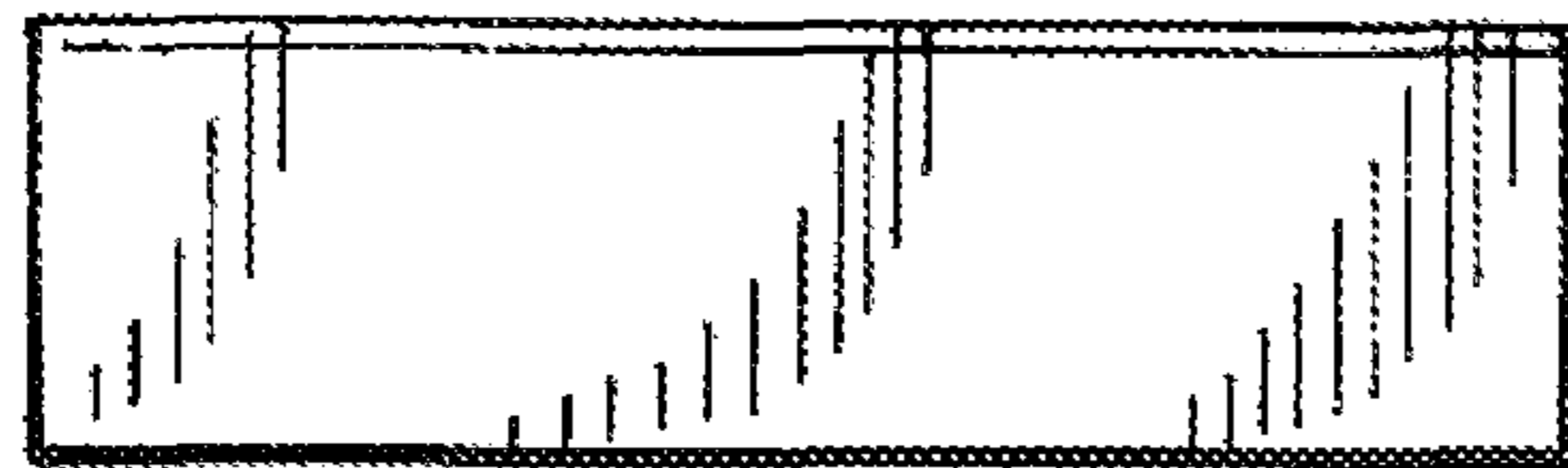


FIG. 4

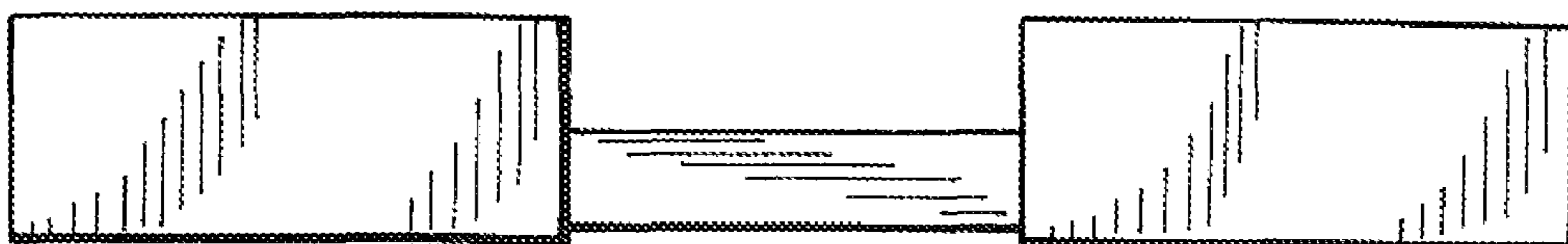


FIG. 5

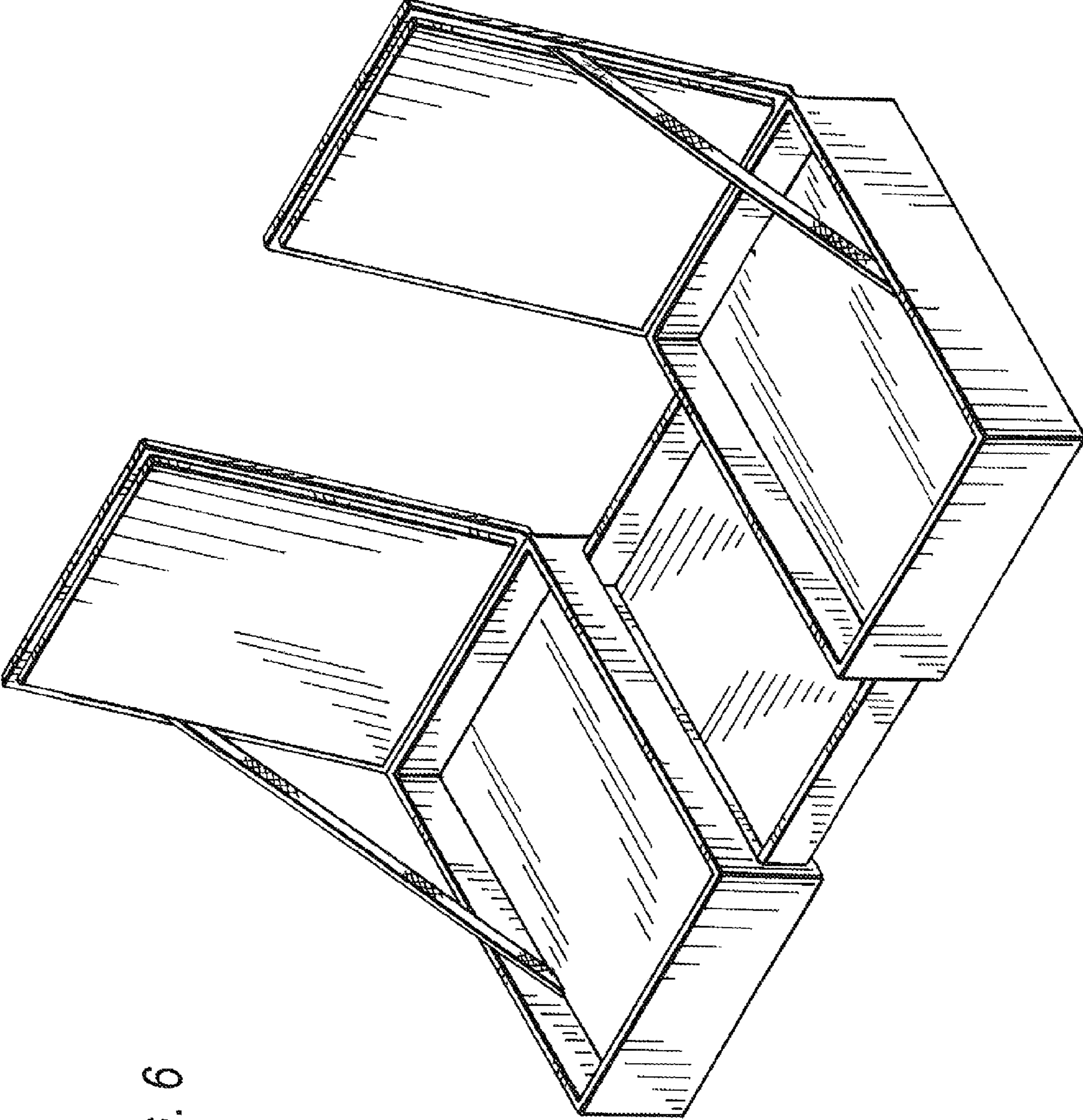


FIG. 6

FIG. 7

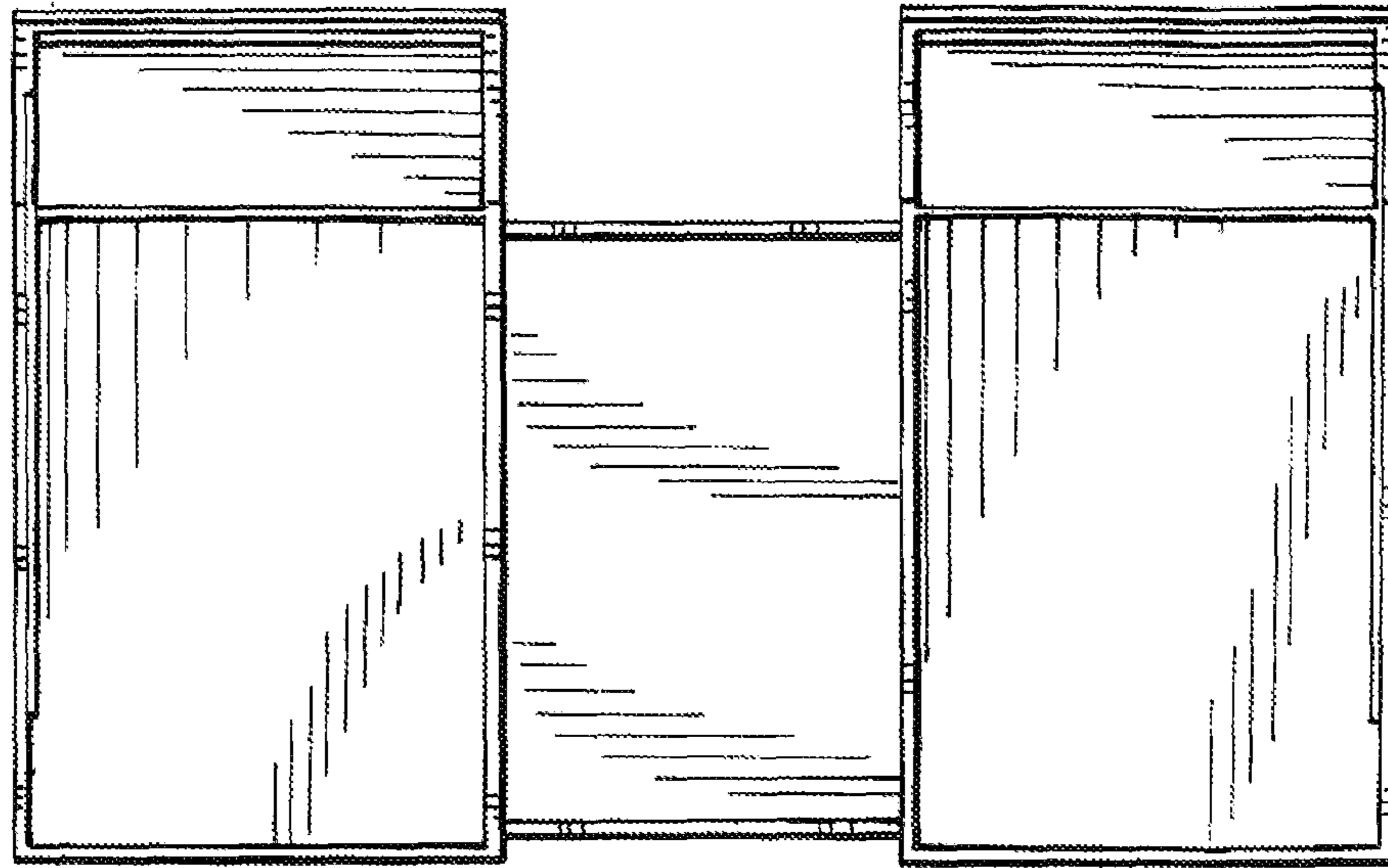


FIG. 8

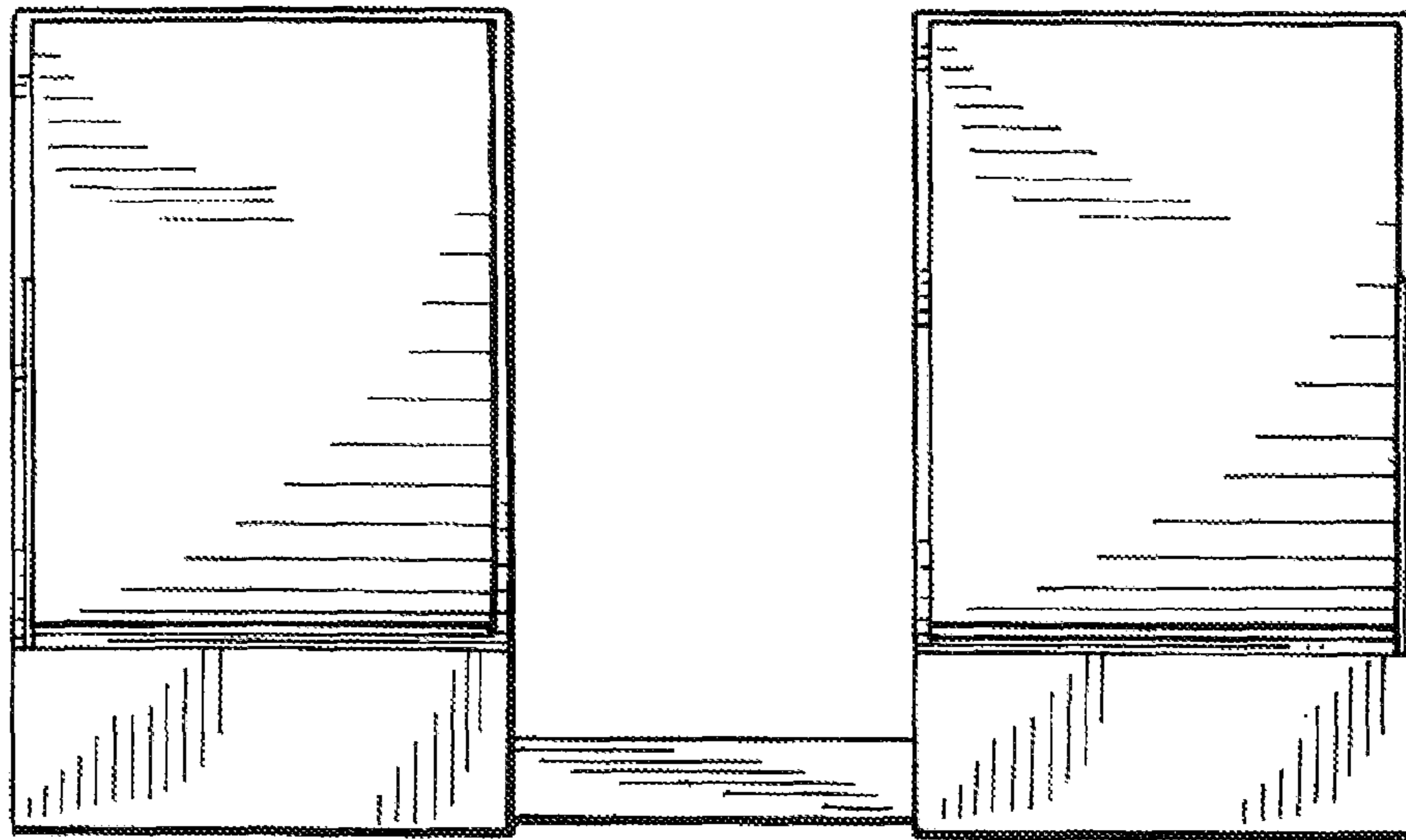
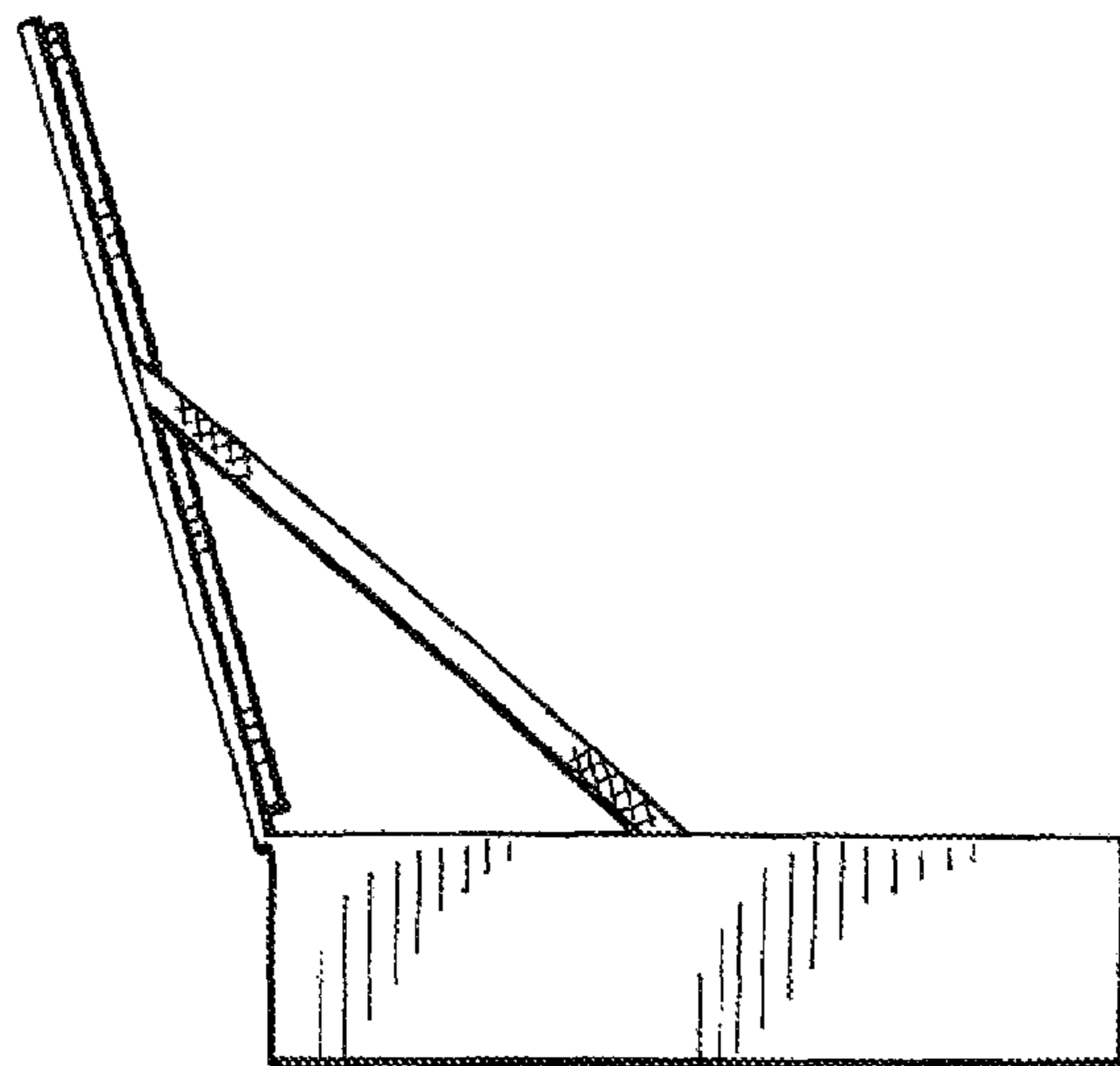


FIG. 9



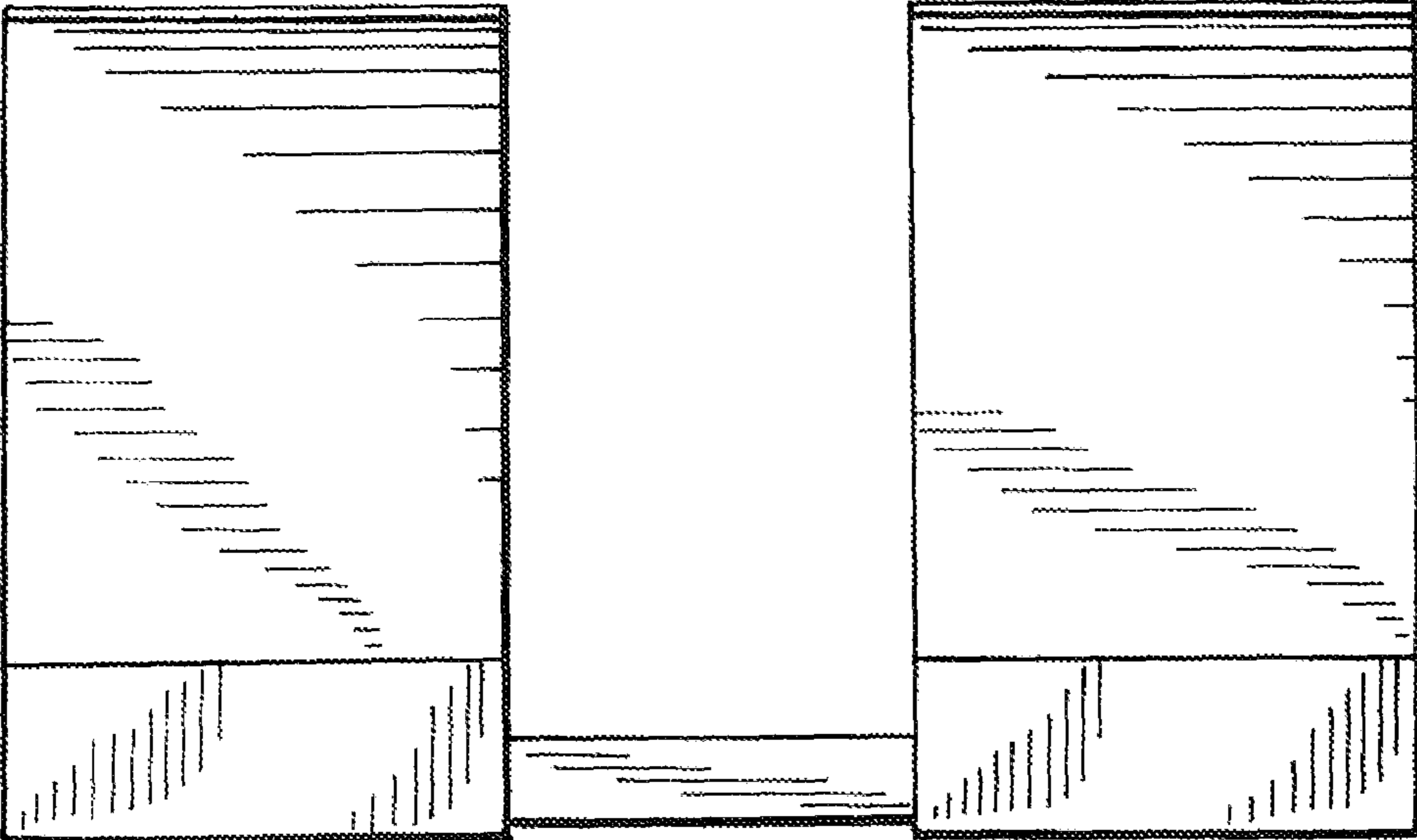


FIG. 10

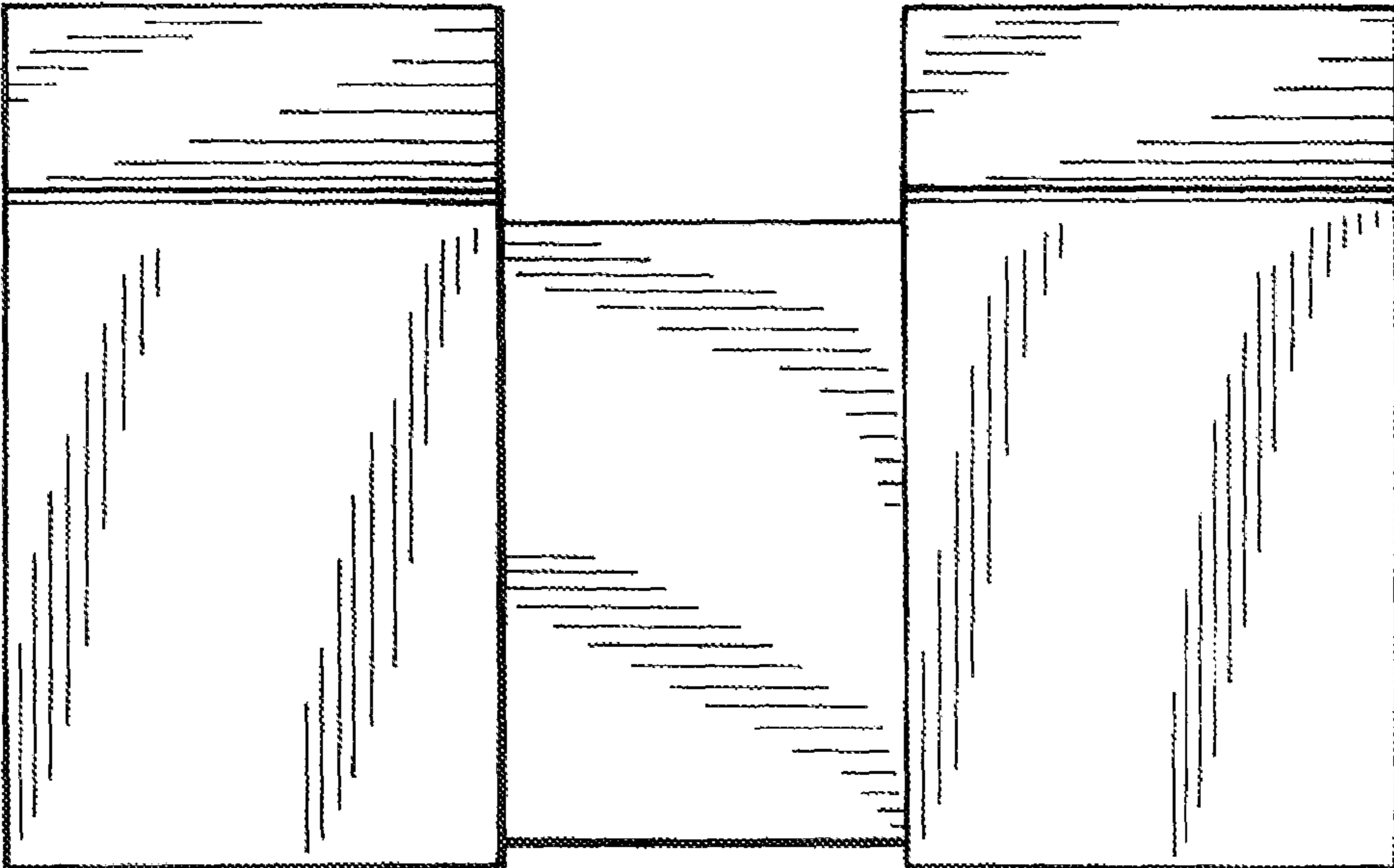


FIG. 11