



US00D627928S

(12) **United States Design Patent**
Hsu

(10) **Patent No.:** **US D627,928 S**

(45) **Date of Patent:** **** Nov. 23, 2010**

(54) **HAIR CLIP**

(76) Inventor: **Shih-Ling Hsu**, No. 46 Alley 87, Lane 871, Cheng-Bay Road, Tainan City (TW)

(**) Term: **14 Years**

(21) Appl. No.: **29/364,680**

(22) Filed: **Jun. 25, 2010**

(51) **LOC (9) Cl.** **28-03**

(52) **U.S. Cl.** **D28/42**

(58) **Field of Classification Search** D28/21-34,
D28/39-43; 132/101, 126, 128-131, 144,
132/148, 219, 275-284

See application file for complete search history.

(56) **References Cited**

U.S. PATENT DOCUMENTS

| | | | | | | |
|-----------|---|---|---------|----------|-------|---------|
| 5,259,405 | A | * | 11/1993 | Hua-Chou | | 132/279 |
| D391,020 | S | * | 2/1998 | Tsai | | D28/40 |
| D393,927 | S | * | 4/1998 | Chou | | D28/42 |
| D511,863 | S | * | 11/2005 | Lau | | D28/42 |
| D585,156 | S | * | 1/2009 | Hsu | | D28/42 |
| D587,401 | S | * | 2/2009 | Tsai | | D28/39 |
| D590,102 | S | * | 4/2009 | Hsu | | D28/40 |
| D592,803 | S | * | 5/2009 | Tsai | | D28/39 |

D605,361 S * 12/2009 Hsu D28/42
D605,814 S * 12/2009 Hsu D28/42

* cited by examiner

Primary Examiner—Janice E Seeger

Assistant Examiner—Zenia I Bennett

(74) *Attorney, Agent, or Firm*—Banger Shia

(57) **CLAIM**

The ornamental design for a hair clip, as shown and described.

DESCRIPTION

FIG. 1 is a perspective view of a hair clip showing my new design thereof;

FIG. 2 is a front elevational view thereof;

FIG. 3 is a rear elevational view thereof;

FIG. 4 is a left side elevational view thereof;

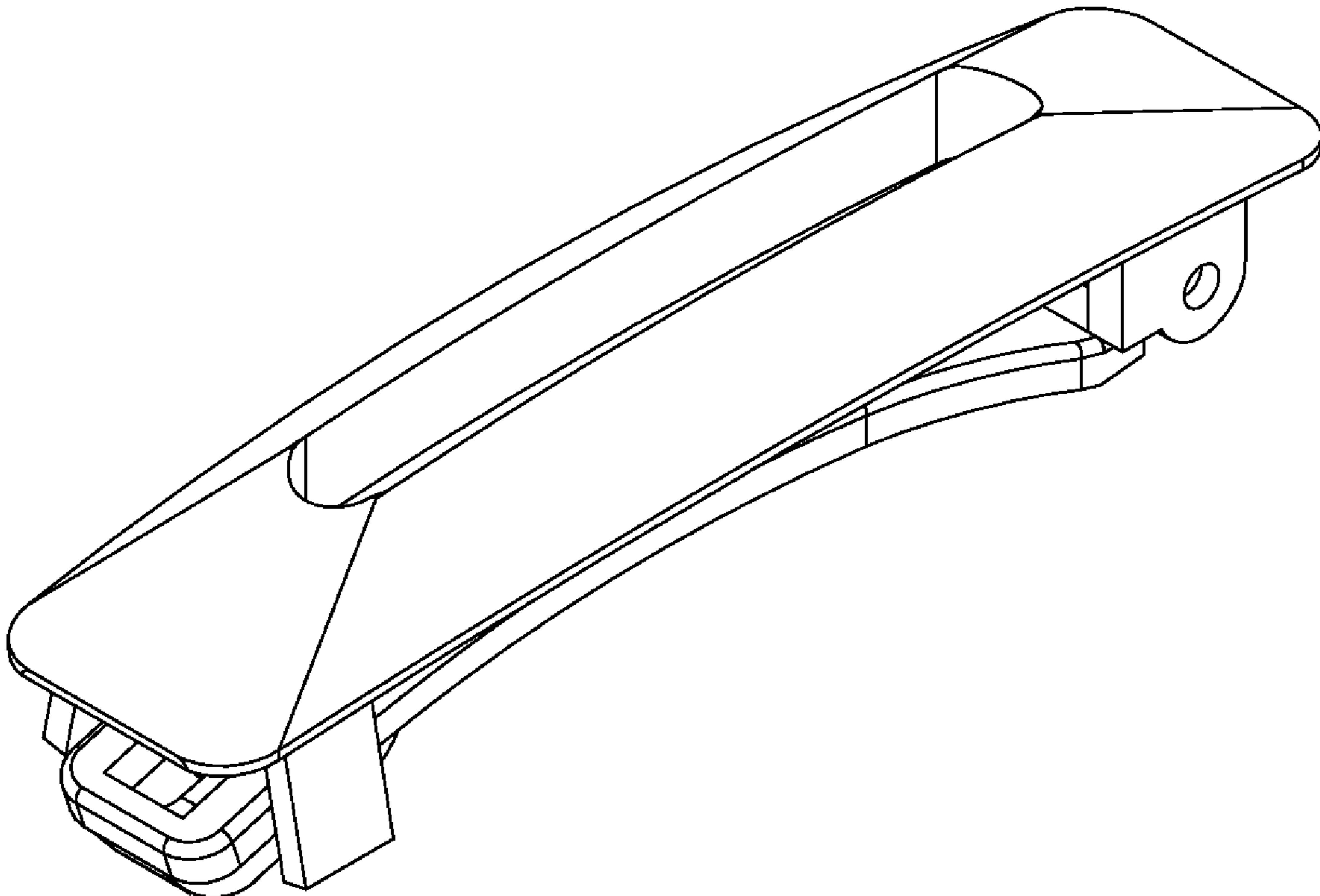
FIG. 5 is a right side elevational view thereof;

FIG. 6 is a top plan view thereof; and,

FIG. 7 is a bottom plan view thereof.

The broken lines in the drawings are for illustrative purposes only and form no part of the claimed design.

1 Claim, 5 Drawing Sheets



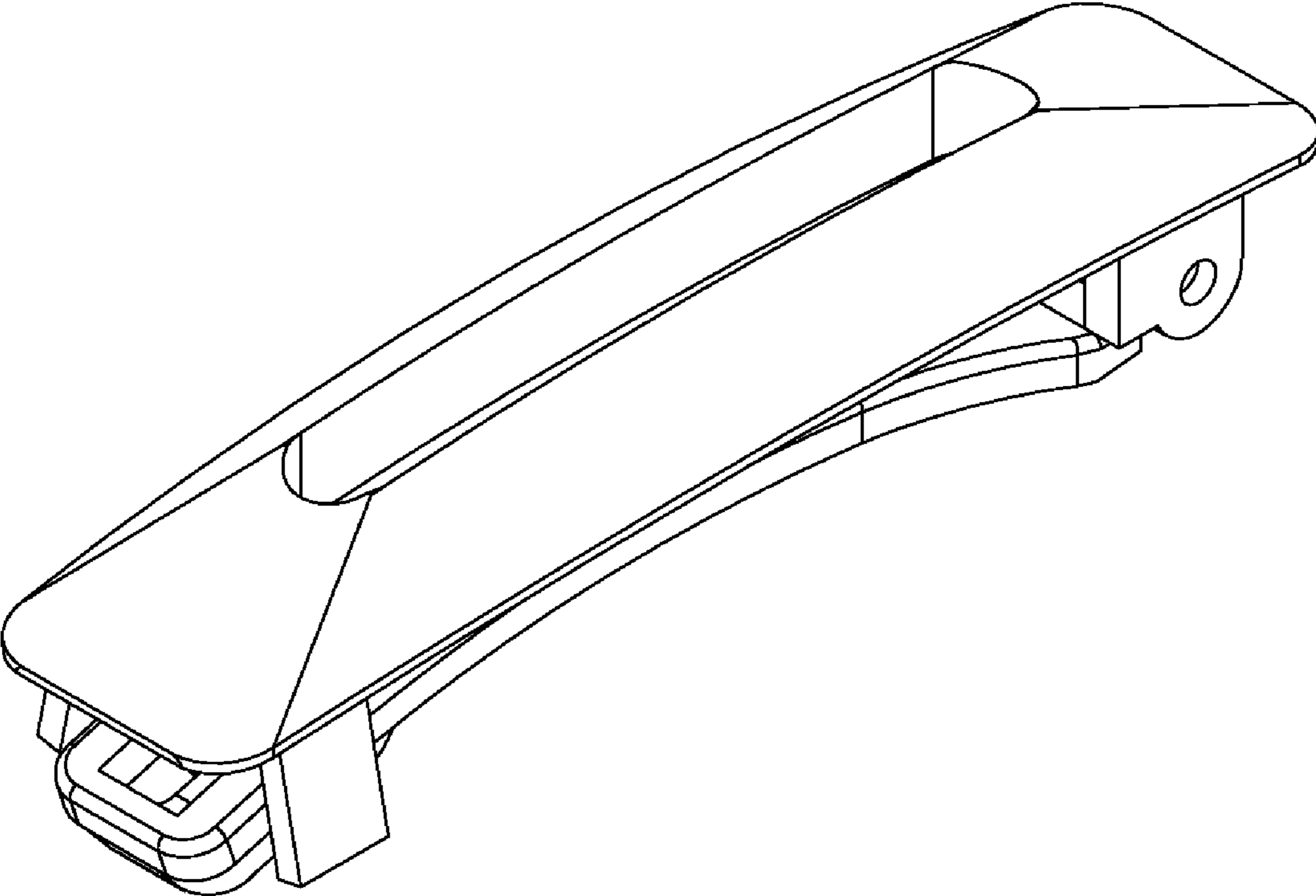


FIG. 1

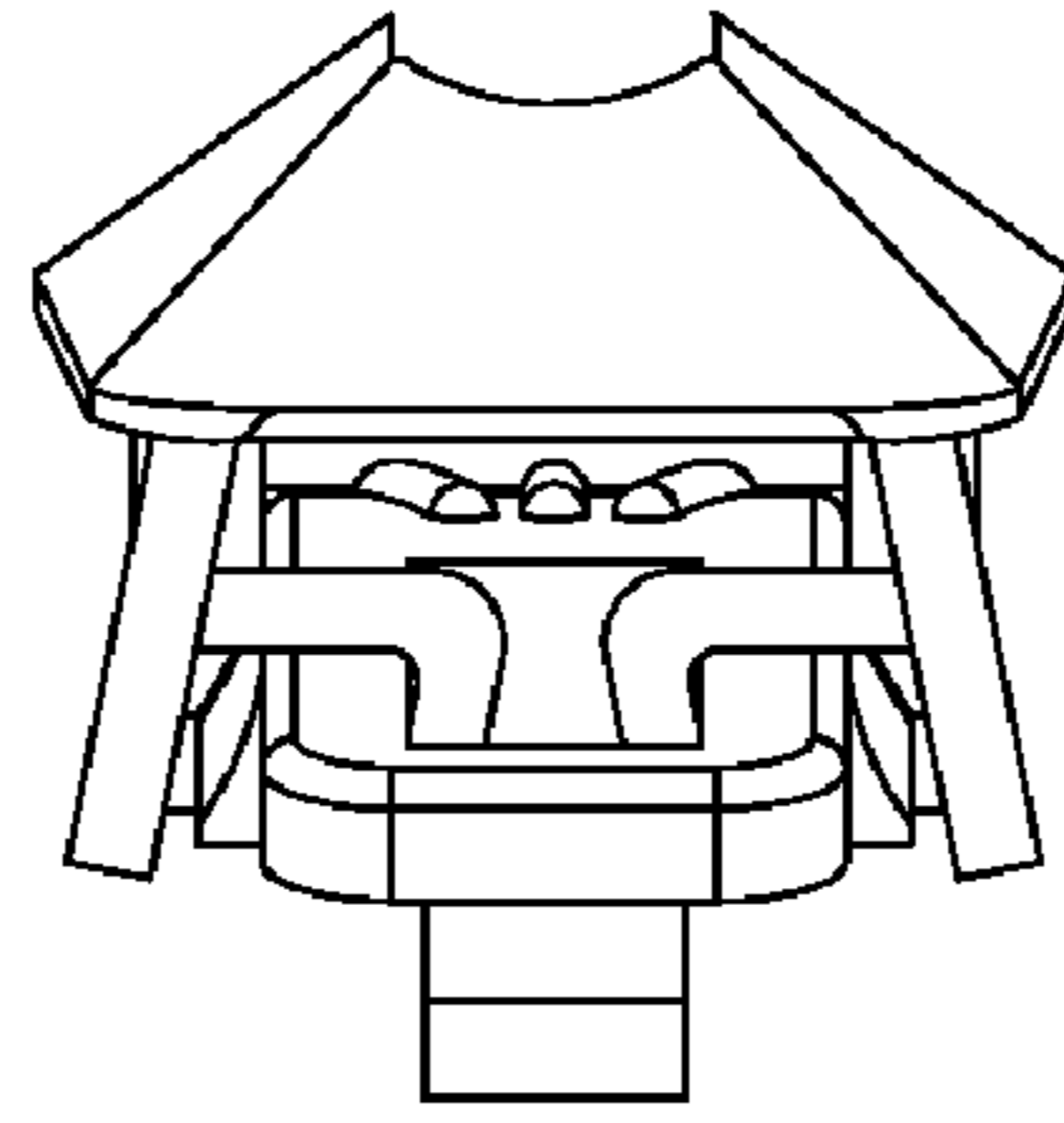


FIG. 2

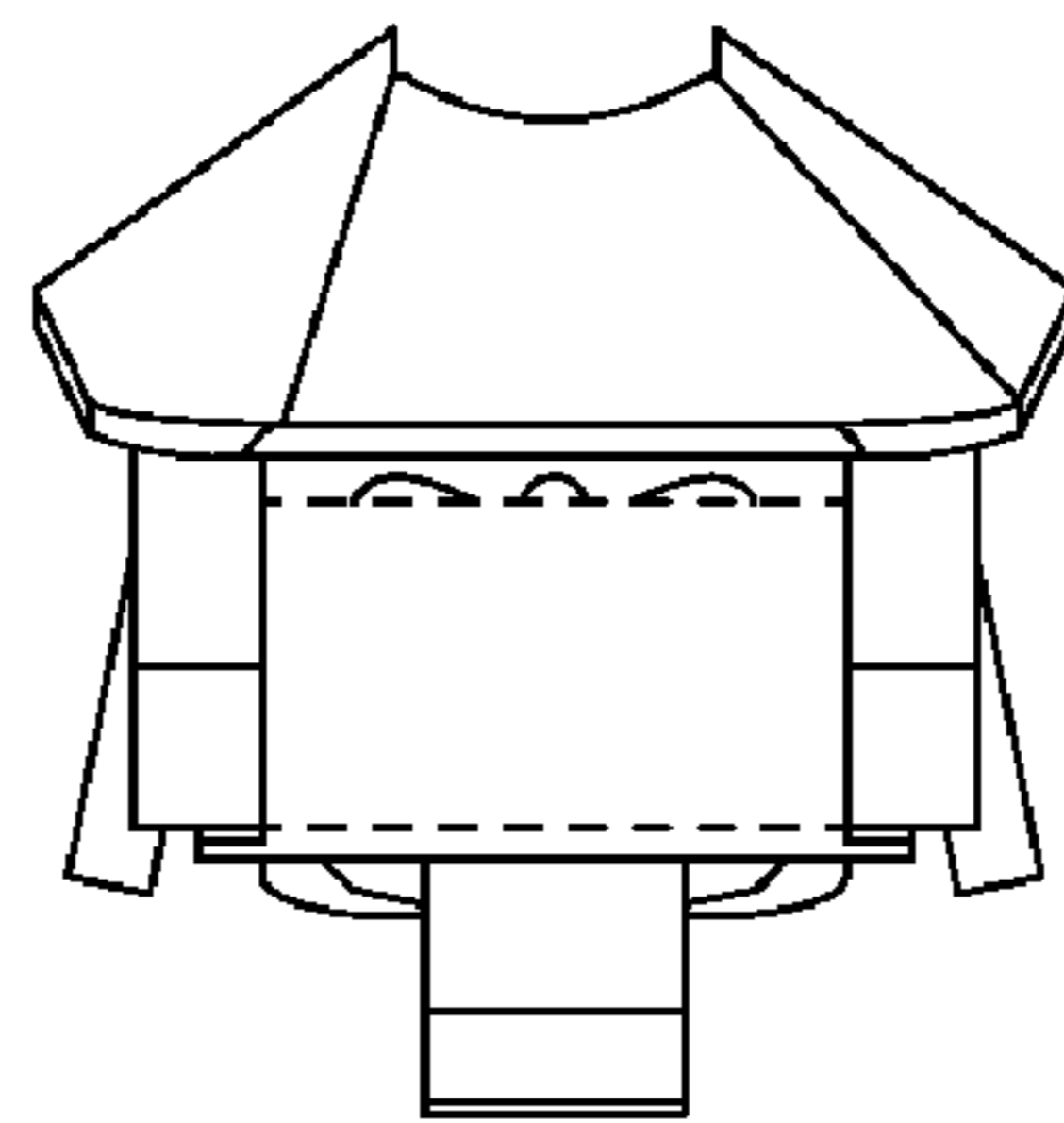


FIG. 3

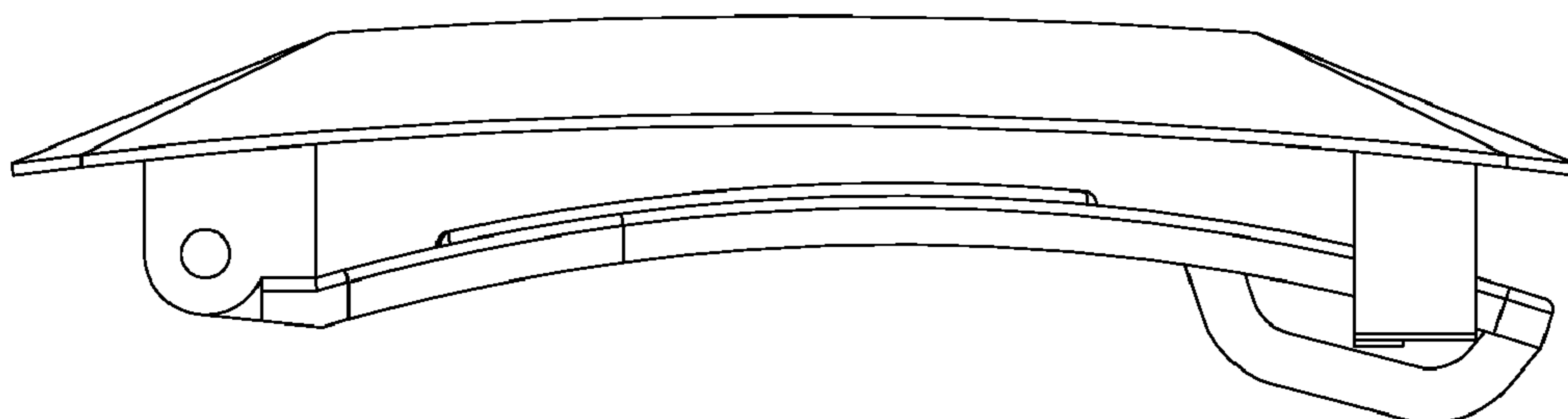


FIG. 4

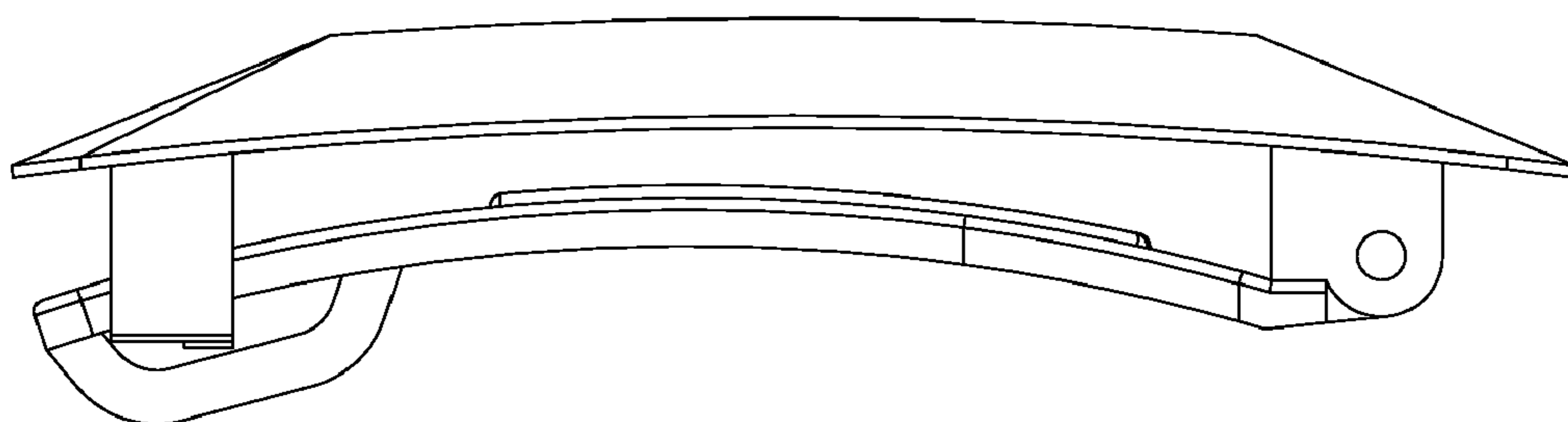


FIG. 5

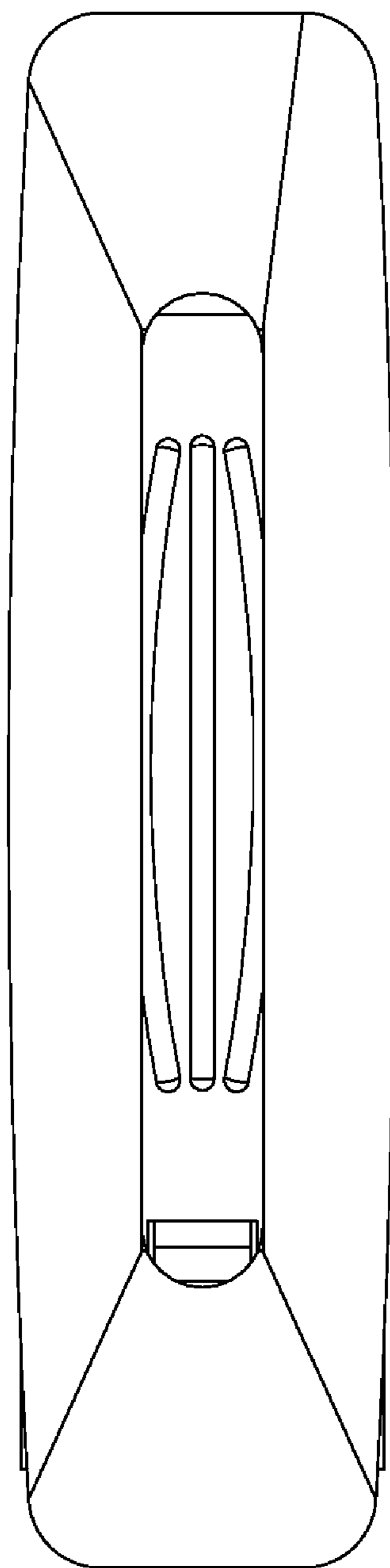


FIG. 6

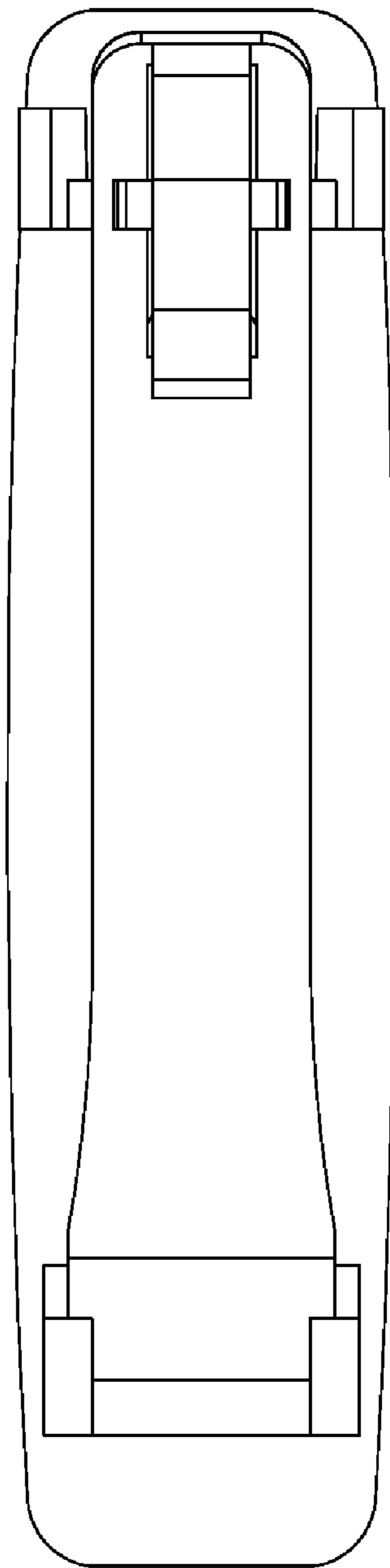


FIG. 7