



US00D627927S

(12) **United States Design Patent**
Nenadich

(10) **Patent No.:** **US D627,927 S**

(45) **Date of Patent:** **** Nov. 23, 2010**

- (54) **PORTION OF A FLAT HAIR IRON**
- (76) Inventor: **Stephen M. Nenadich**, 218 Jesse Way,
Redlands, CA (US) 92374
- (**) Term: **14 Years**
- (21) Appl. No.: **29/358,993**
- (22) Filed: **Apr. 2, 2010**
- (51) **LOC (9) Cl.** **28-03**
- (52) **U.S. Cl.** **D28/35**
- (58) **Field of Classification Search** D28/35,
D28/37-38; 132/222-225, 227-229, 236,
132/245; 219/222, 225-226
See application file for complete search history.

D559,447 S	1/2008	Leung	
D559,448 S	1/2008	Leung	
D561,936 S	2/2008	Leung	
D567,440 S	4/2008	Migliori	
D567,999 S	4/2008	Leung	
D569,549 S	5/2008	Leung	
D570,043 S	5/2008	Leung	
D570,044 S	5/2008	Leung	
D570,542 S	6/2008	Leung	
D575,453 S	8/2008	Overend	
D581,591 S	11/2008	Hein	
D581,592 S	11/2008	Hein	
D586,038 S	2/2009	Kim	
D586,039 S	2/2009	Kim	
D586,040 S	2/2009	Kim	
D596,791 S *	7/2009	Russo D28/35
D609,402 S *	2/2010	Cheung D28/35
2009/0044823 A1 *	2/2009	Overend et al. 132/211

(56) **References Cited**

U.S. PATENT DOCUMENTS

D253,973 S	1/1980	Rosse
D323,040 S	1/1992	Smal
D411,333 S	6/1999	Smal
D424,742 S	5/2000	Hirata
D433,185 S	10/2000	Hirata
D440,710 S	4/2001	Kaizuka
D460,215 S	7/2002	Hirata
D480,176 S	9/2003	Ouellette
D480,836 S	10/2003	Kaizuka
D485,011 S	1/2004	Nam
D489,482 S	5/2004	Cho
D489,483 S	5/2004	Cho
D504,978 S	5/2005	Johnstone
D506,031 S	6/2005	Cho
D511,023 S	10/2005	Cho
D514,252 S	1/2006	Shin
D516,242 S	2/2006	Habibi
D534,684 S	1/2007	Ceva
D535,437 S	1/2007	Ceva
D536,483 S	2/2007	Lun
D537,982 S	3/2007	Kim
D537,983 S	3/2007	Shin
D543,314 S	5/2007	Morgandi
D544,646 S	6/2007	Overend

* cited by examiner

Primary Examiner—Jennifer Rivard

(74) *Attorney, Agent, or Firm*—Steven N. Fox, Esq.

(57) **CLAIM**

The ornamental design for a portion of a flat hair iron, as shown and described.

DESCRIPTION

FIG. 1 is a perspective view of a portion of a flat hair iron according to the present invention shown mounted on a flat hair iron;

FIG. 2 is a rear elevation view thereof;

FIG. 3 is a top plan view thereof;

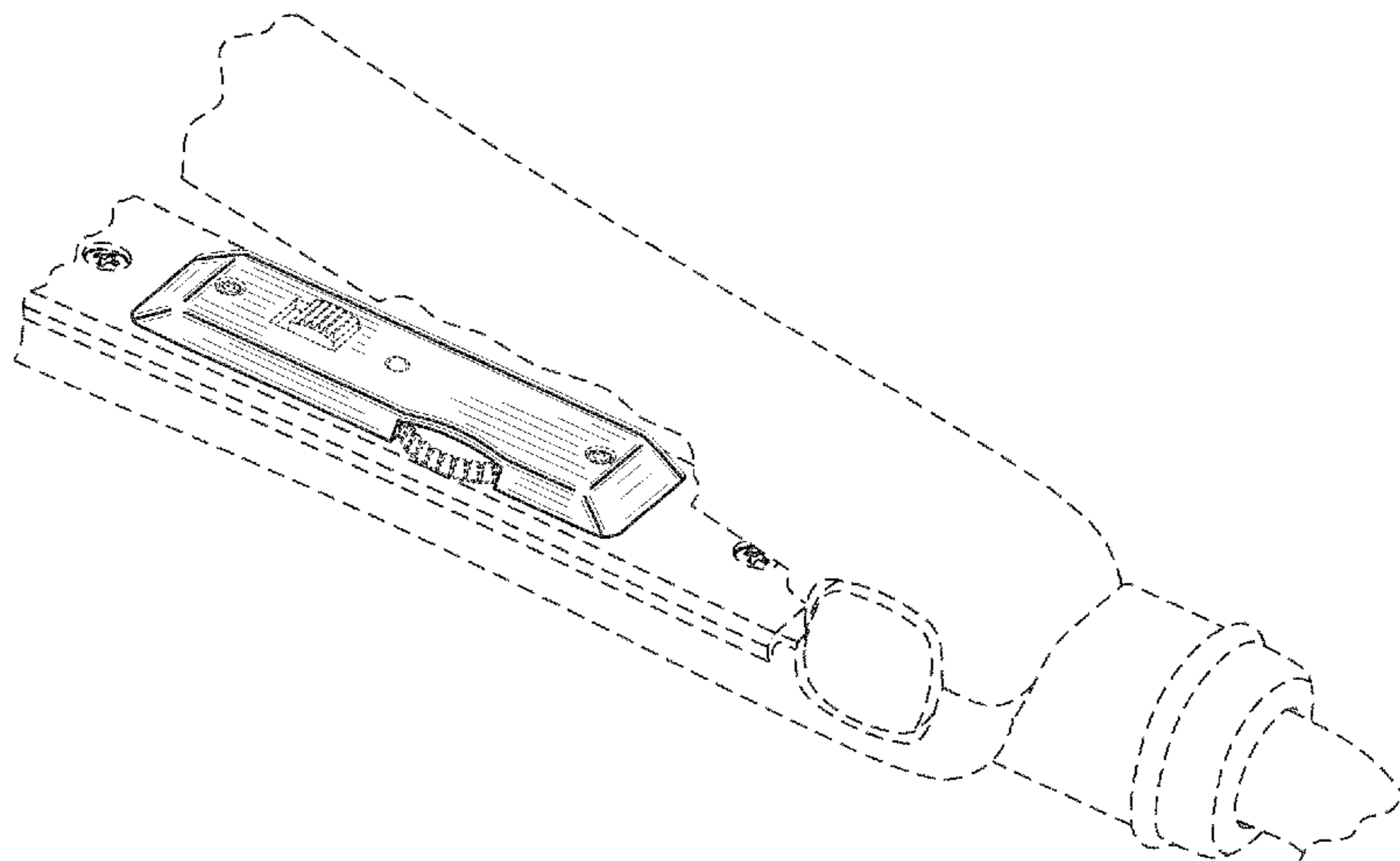
FIG. 4 is a left side elevation view thereof;

FIG. 5 is a front elevation view thereof; and,

FIG. 6 is a right side elevation view thereof.

The broken lines shown in the drawings are for the purpose of illustrating environmental structure and form no part of the claimed design.

1 Claim, 1 Drawing Sheet



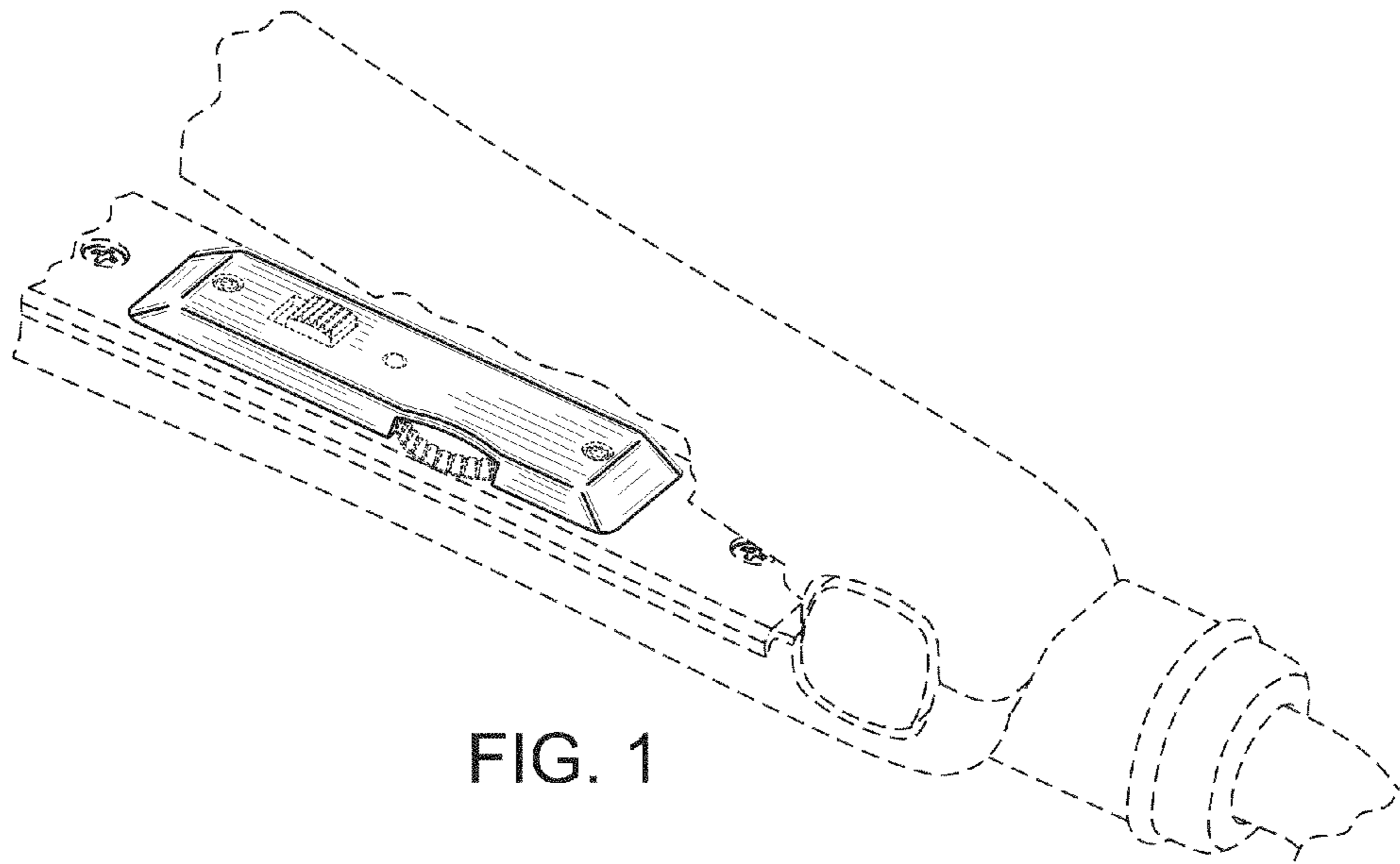


FIG. 1

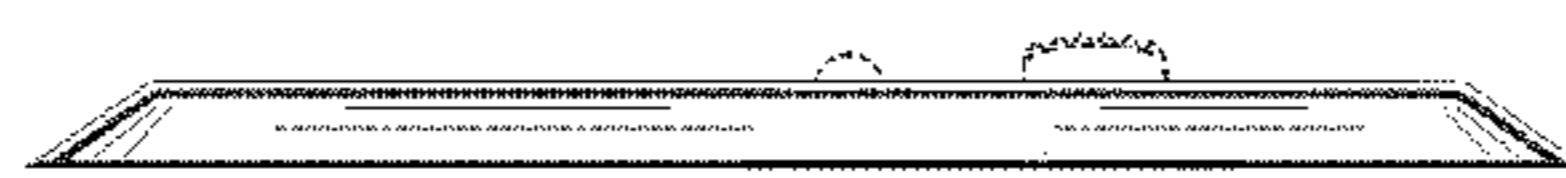


FIG. 2

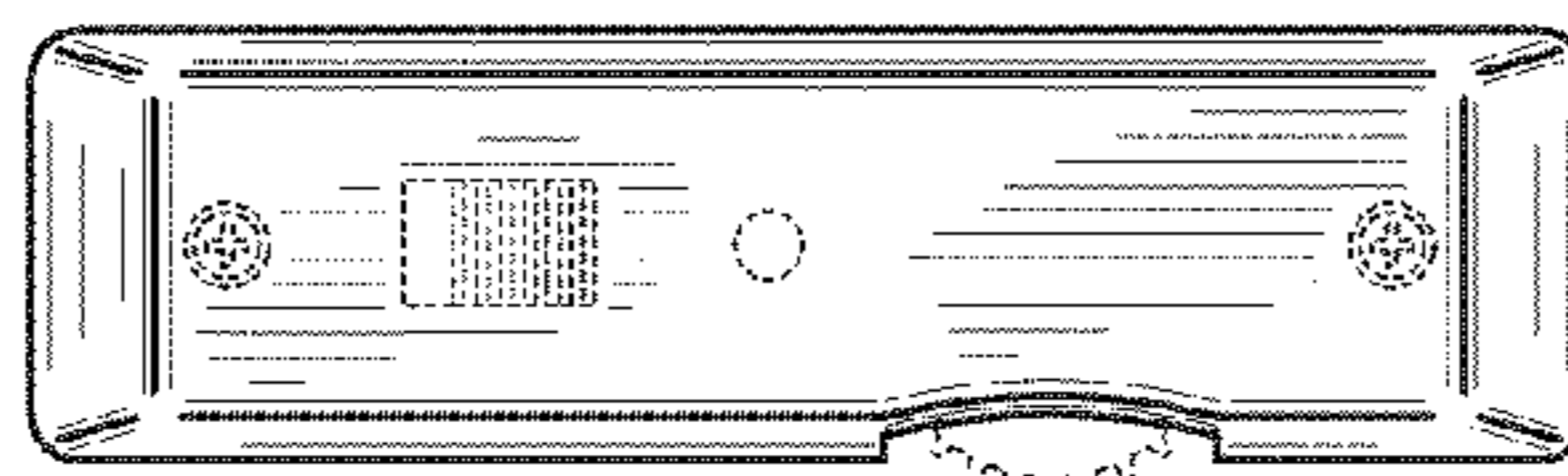


FIG. 3



FIG. 4

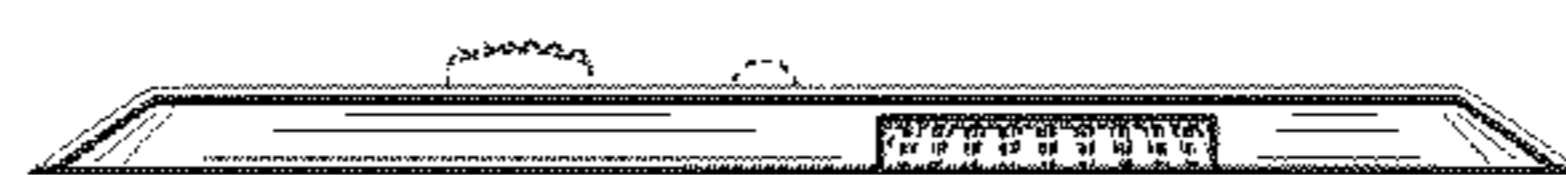


FIG. 5



FIG. 6