



US00D627925S

(12) **United States Design Patent**
Nenadich

(10) **Patent No.:** **US D627,925 S**

(45) **Date of Patent:** **** Nov. 23, 2010**

(54) **FLAT HAIR IRON**

(76) Inventor: **Stephen M. Nenadich**, 218 Jesse Way,
Redlands, CA (US) 92374

(**) Term: **14 Years**

(21) Appl. No.: **29/357,813**

(22) Filed: **Mar. 17, 2010**

(51) **LOC (9) Cl.** **28-03**

(52) **U.S. Cl.** **D28/35**

(58) **Field of Classification Search** D28/35,
D28/37-38; 132/222-225, 227-229, 236,
132/245; 219/222, 225-226

See application file for complete search history.

(56) **References Cited**

U.S. PATENT DOCUMENTS

D253,973 S	1/1980	Rosse	
D323,040 S	1/1992	Smal	
D411,333 S	6/1999	Smal	
D424,742 S	5/2000	Hirata	
D433,185 S	10/2000	Hirata	
D440,710 S	4/2001	Kaizuka	
D460,215 S	7/2002	Hirata	
D480,176 S	9/2003	Ouellette	
D480,836 S	10/2003	Kaizuka	
D485,011 S *	1/2004	Nam D28/35
D489,482 S	5/2004	Cho	
D489,483 S	5/2004	Cho	
D504,978 S	5/2005	Johnstone	
D506,031 S	6/2005	Cho	
D511,023 S	10/2005	Cho	
D514,252 S	1/2006	Shin	
D516,242 S	2/2006	Habibi	
D534,684 S	1/2007	Ceva	
D535,437 S	1/2007	Ceva	
D536,483 S	2/2007	Lun	
D537,982 S	3/2007	Kim	
D537,983 S	3/2007	Shin	
D543,314 S	5/2007	Morgandi	
D544,646 S	6/2007	Overend	
D559,447 S	1/2008	Leung	
D559,448 S	1/2008	Leung	

D561,936 S	2/2008	Leung
D567,440 S	4/2008	Migliori
D567,999 S	4/2008	Leung
D569,549 S	5/2008	Leung
D570,043 S	5/2008	Leung
D570,044 S	5/2008	Leung
D570,542 S	6/2008	Leung

(Continued)

Primary Examiner—Jennifer Rivard

(74) Attorney, Agent, or Firm—Steven N. Fox, Esq.

(57) **CLAIM**

The ornamental design for a flat hair iron, as shown and described.

DESCRIPTION

FIG. 1 is a perspective view of a design according to the present invention;

FIG. 2 is a left side elevation view of the design according to the present invention;

FIG. 3 is a top plan view of the design according to the present invention;

FIG. 4 is a bottom plan view of the design according to the present invention;

FIG. 5 is a right side elevation view of the design according to the present invention;

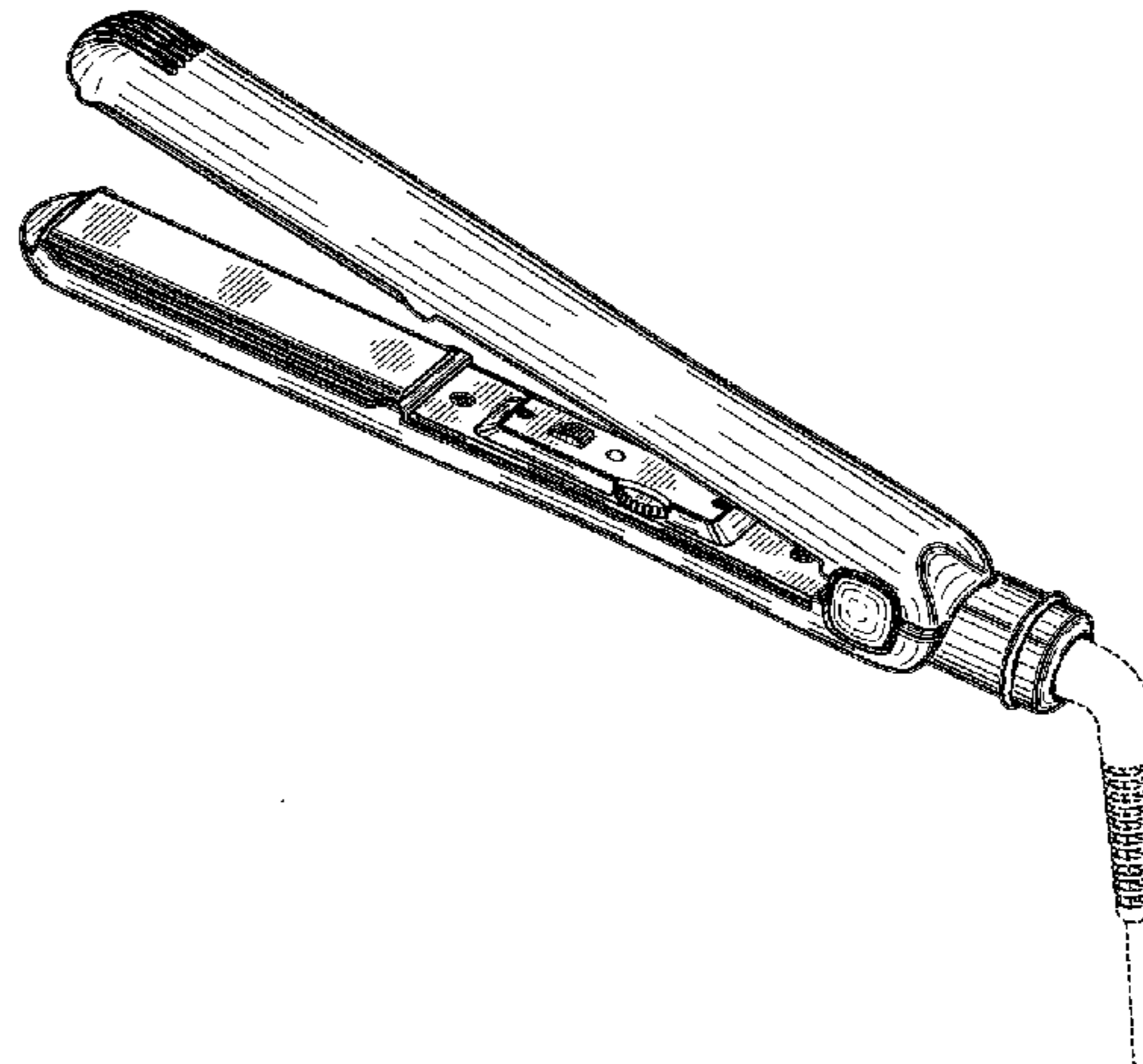
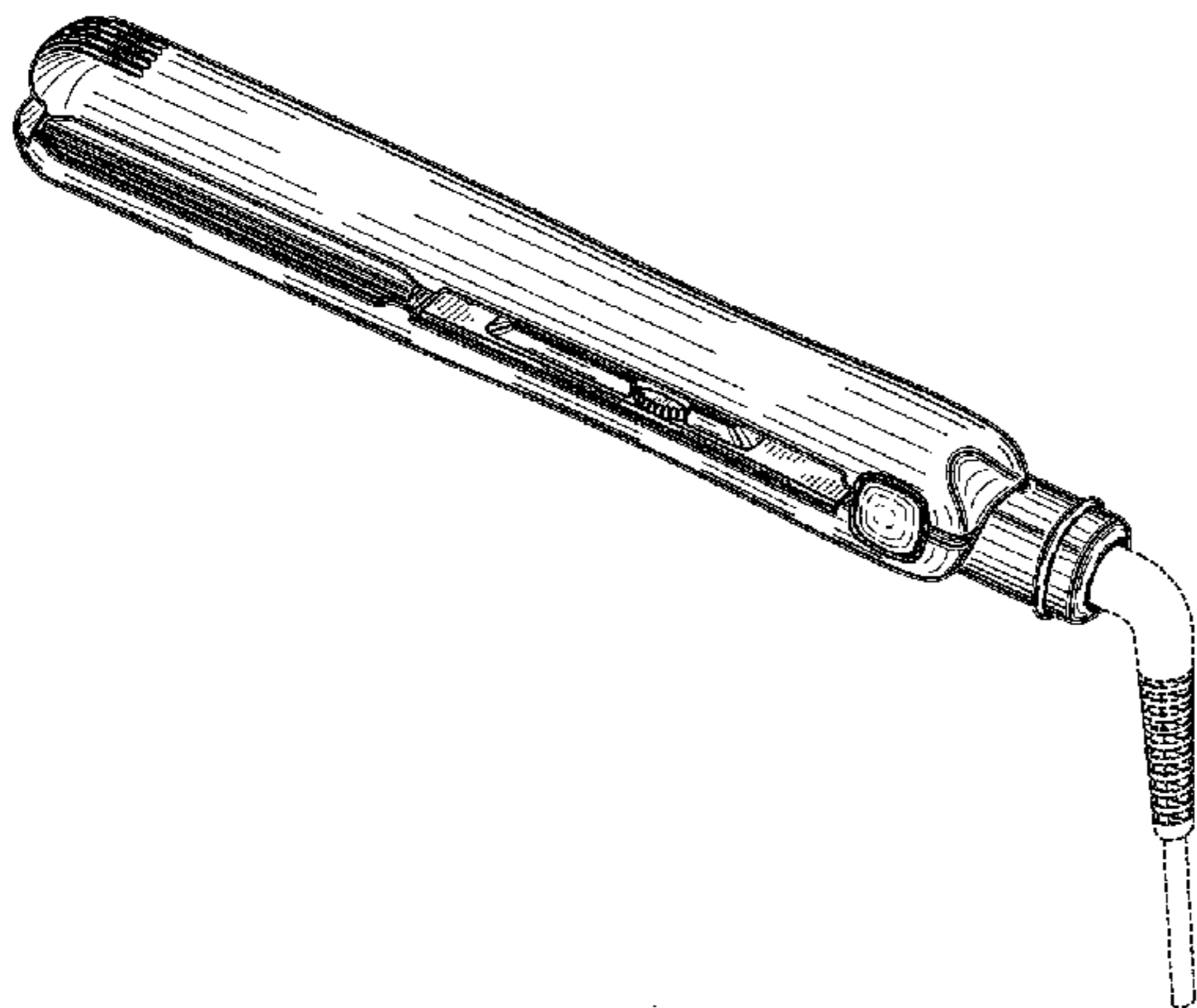
FIG. 6 is a front elevation view of design according to the present invention;

FIG. 7 is a rear elevation view of the design according to the present invention; and,

FIG. 8 is a perspective view of a design according to the present invention.

The dotted lines in the drawings are environmental only and do not form any part of the claimed design.

1 Claim, 4 Drawing Sheets



US D627,925 S

Page 2

U.S. PATENT DOCUMENTS

D575,453 S	8/2008	Overend	D586,039 S	2/2009	Kim	
D581,591 S	11/2008	Hein	D586,040 S	2/2009	Kim	
D581,592 S	11/2008	Hein	D596,794 S *	7/2009	Keong	D28/35
D586,038 S	2/2009	Kim	D609,401 S *	2/2010	Yang	D28/35
			D620,195 S *	7/2010	Overend et al.	D28/35

* cited by examiner

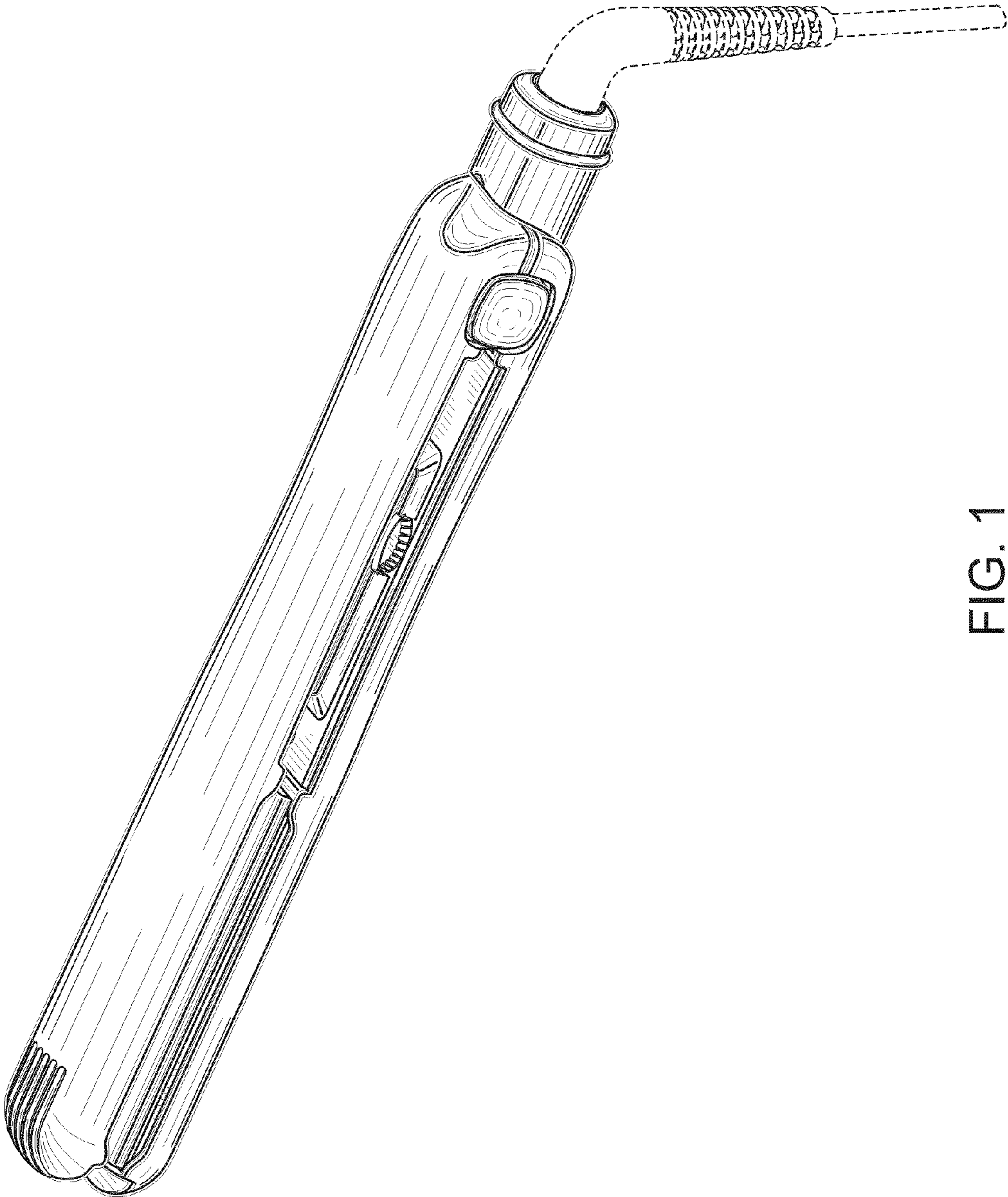


FIG. 1

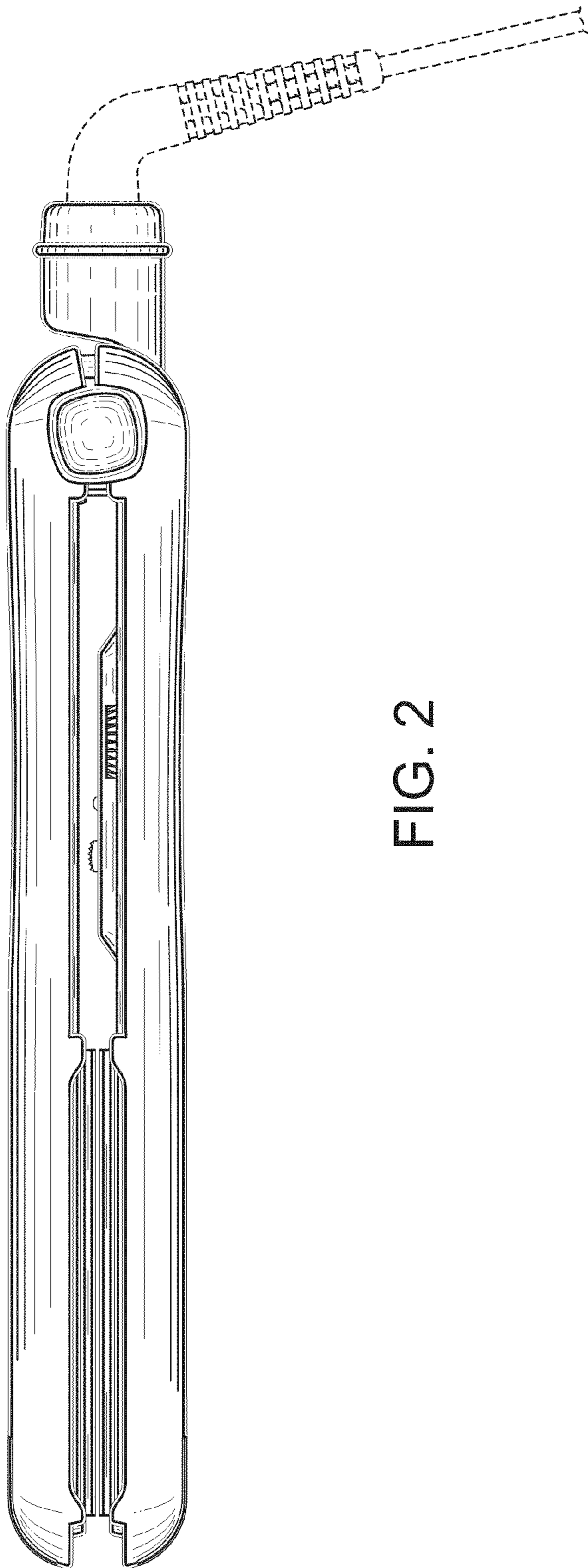


FIG. 2

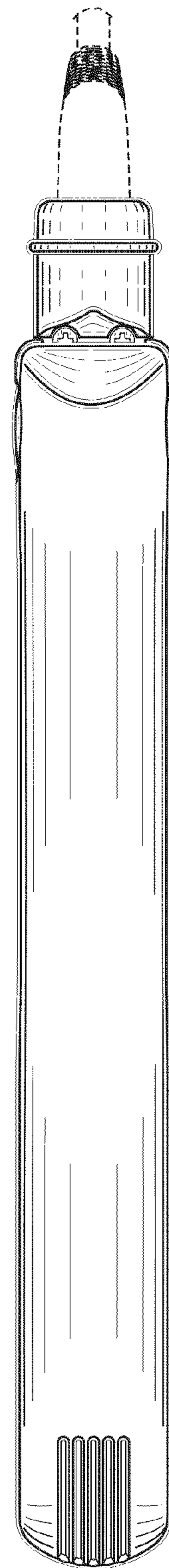


FIG. 3

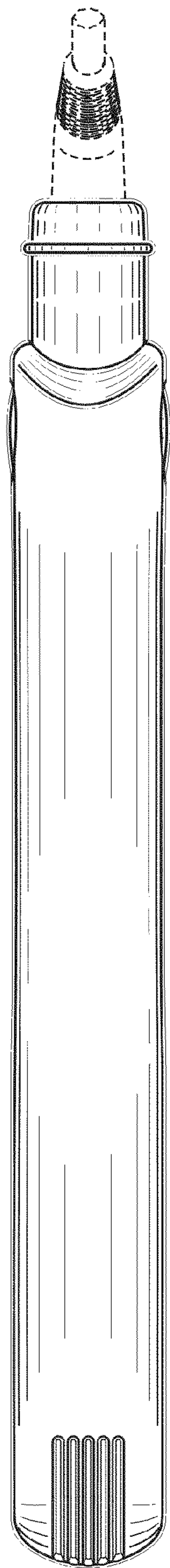


FIG. 4

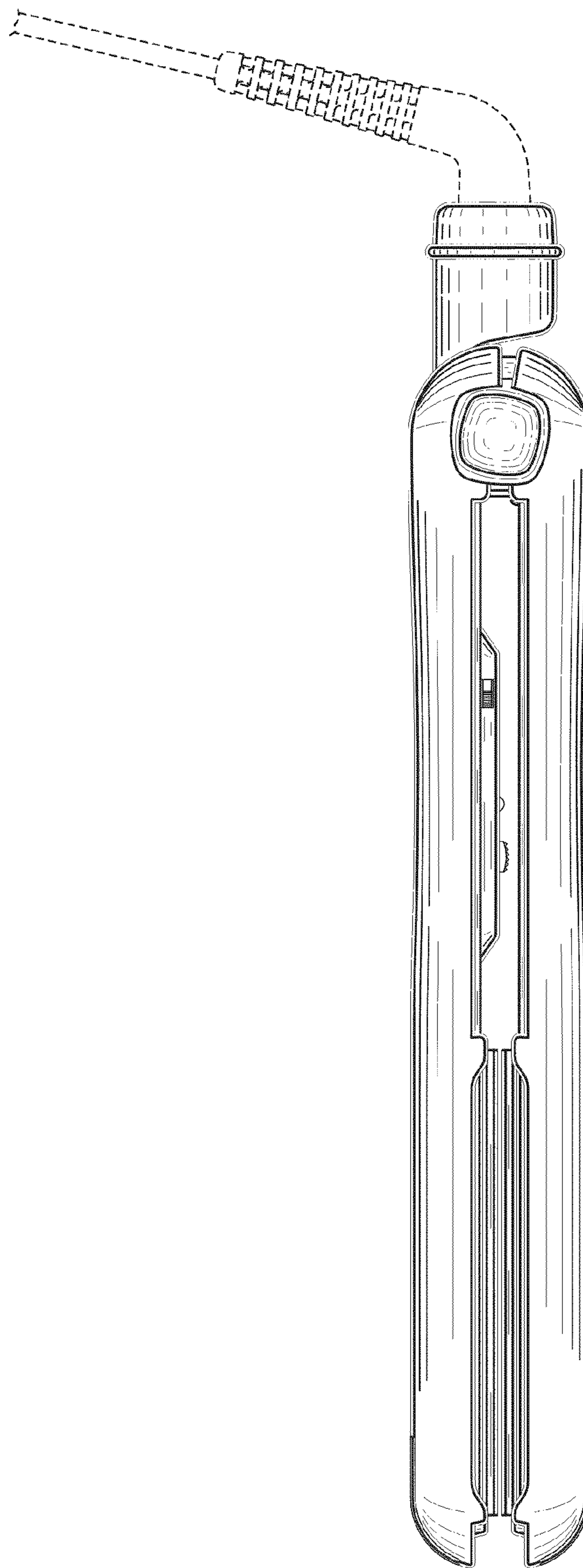


FIG. 5

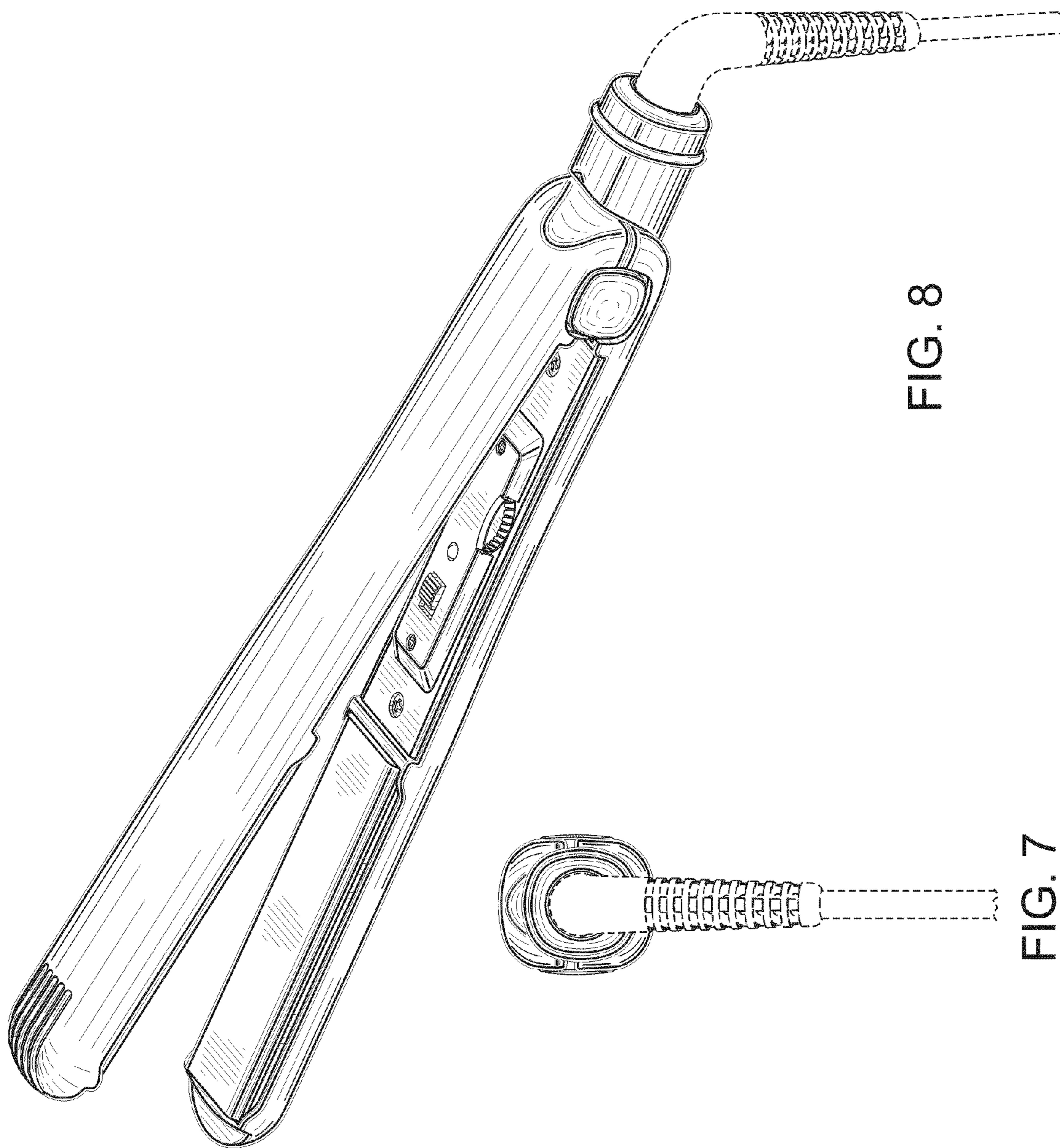


FIG. 8

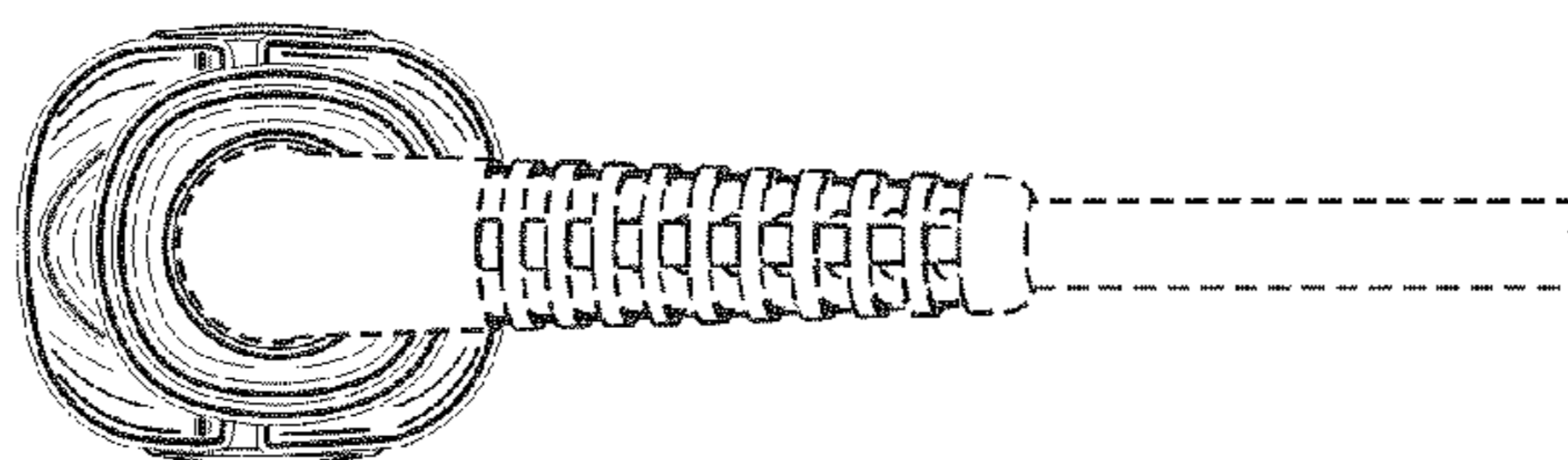


FIG. 7

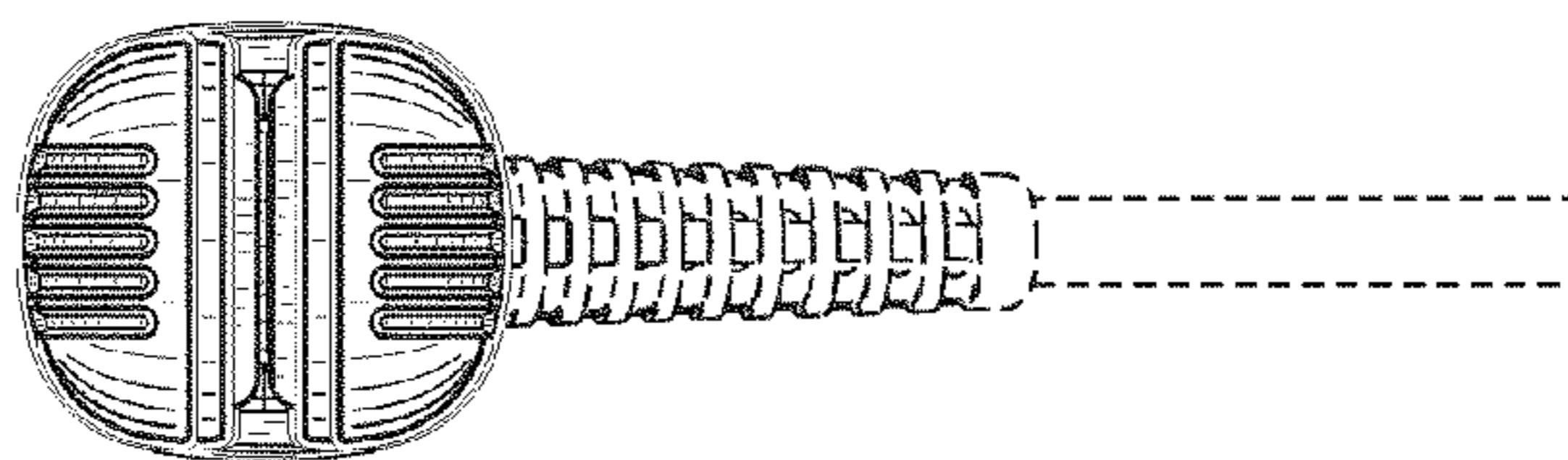


FIG. 6