



US00D627924S

(12) **United States Design Patent**
Lee

(10) **Patent No.:** **US D627,924 S**
(45) **Date of Patent:** **** Nov. 23, 2010**

(54) **HAIR IRON**

(76) Inventor: **Daebum Lee**, 322 Dongyang APT
107-1004, Songjeong-dong, Icheon-si,
Gyeonggi-do (KR)

(**) Term: **14 Years**

(21) Appl. No.: **29/345,532**

(22) Filed: **Oct. 16, 2009**

(30) **Foreign Application Priority Data**

Apr. 17, 2009 (KR) 30-2009-0016640

(51) **LOC (9) Cl.** **28-03**

(52) **U.S. Cl.** **D28/35**

(58) **Field of Classification Search** D28/35,
D28/38; 132/223-236; 219/222, 225-227,
219/242

See application file for complete search history.

(56) **References Cited**

U.S. PATENT DOCUMENTS

D480,836 S * 10/2003 Kaizuka D28/35

D516,242 S * 2/2006 Habibi D28/35

2008/0041408 A1* 2/2008 Shepherd et al. 132/224

* cited by examiner

Primary Examiner—Jennifer Rivard

(74) *Attorney, Agent, or Firm*—John K. Park; Park Law Firm

(57) **CLAIM**

I claim the ornamental design for a hair iron, as shown and described.

DESCRIPTION

FIG. 1 is a perspective view of a hair iron showing my new design;

FIG. 2 is a front elevation view, the real elevation view being a mirror image thereof;

FIG. 3 is a side view thereof;

FIG. 4 is another side view thereof;

FIG. 5 is a top plan view thereof; and,

FIG. 6 is a bottom plan view thereof.

The broken lines shown in FIG. 1 and FIG. 2 of the drawings illustrate features of the article form no part of the claimed design.

1 Claim, 2 Drawing Sheets

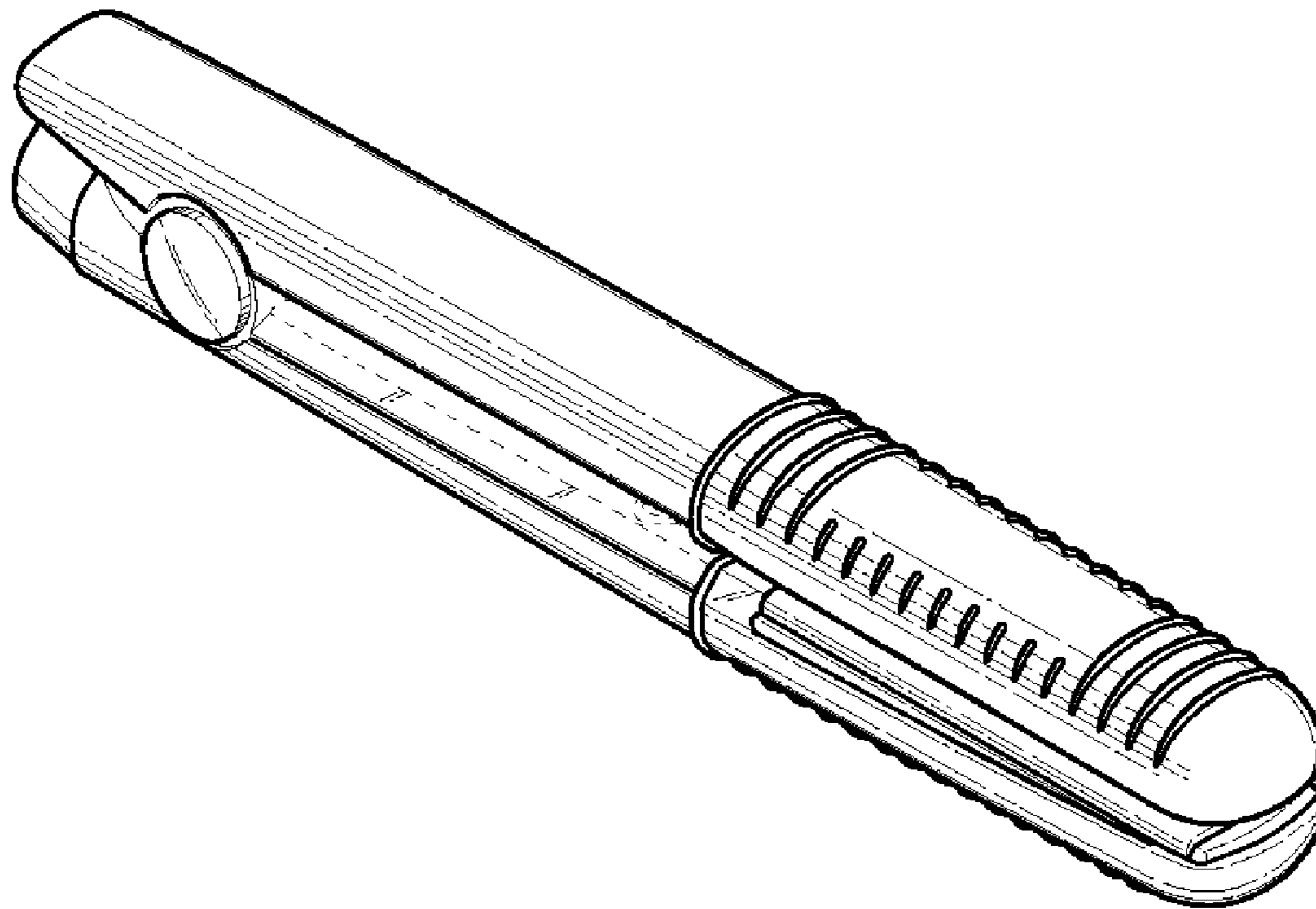


FIG. 1

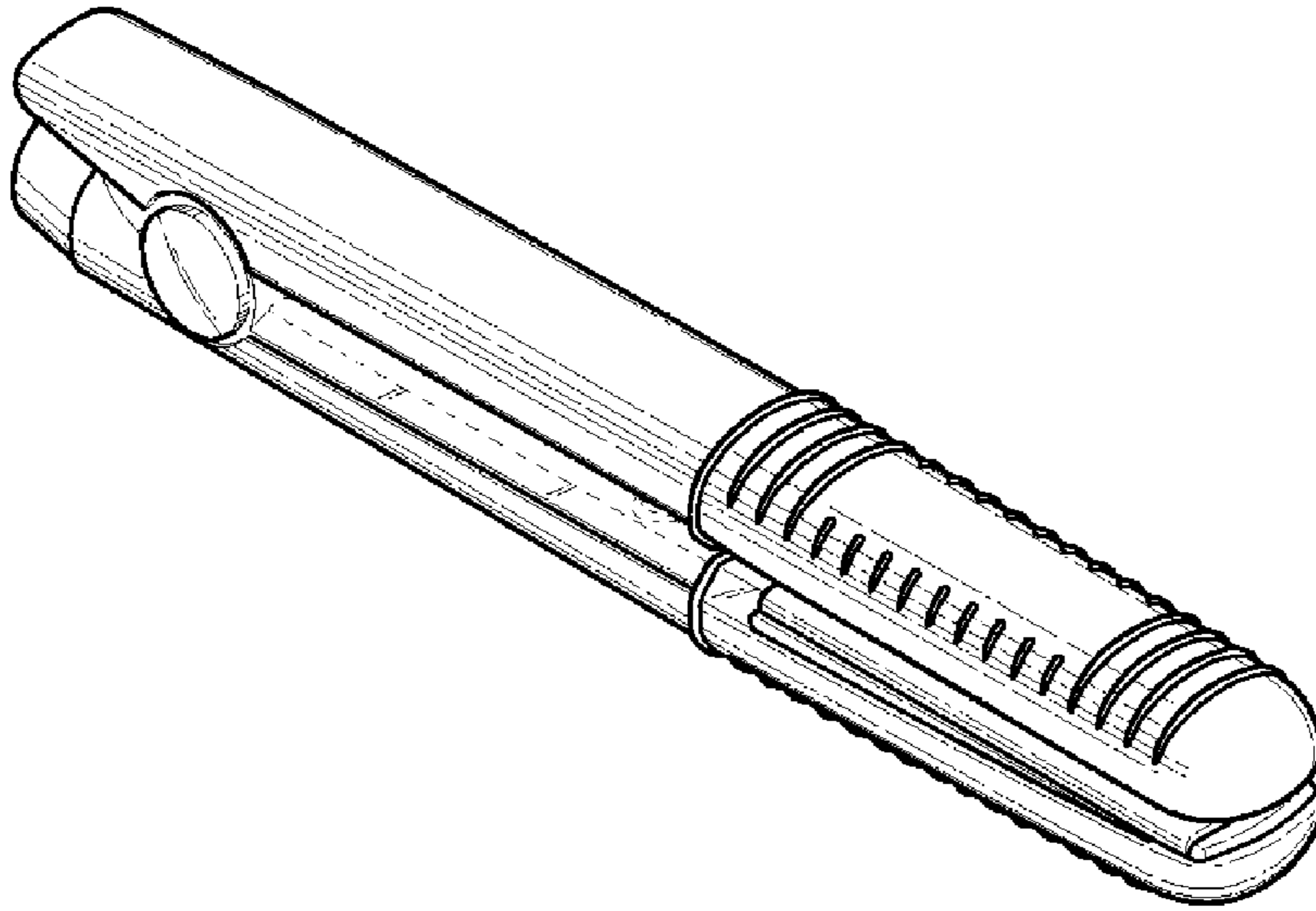


FIG. 2

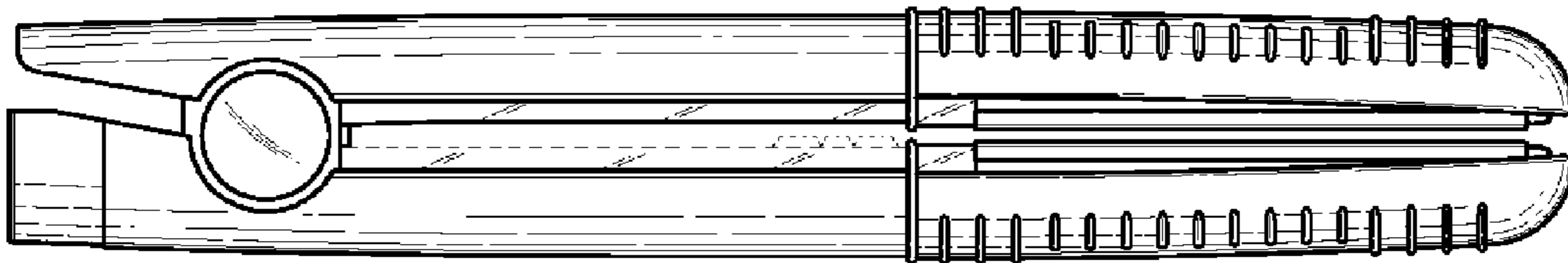


FIG. 3

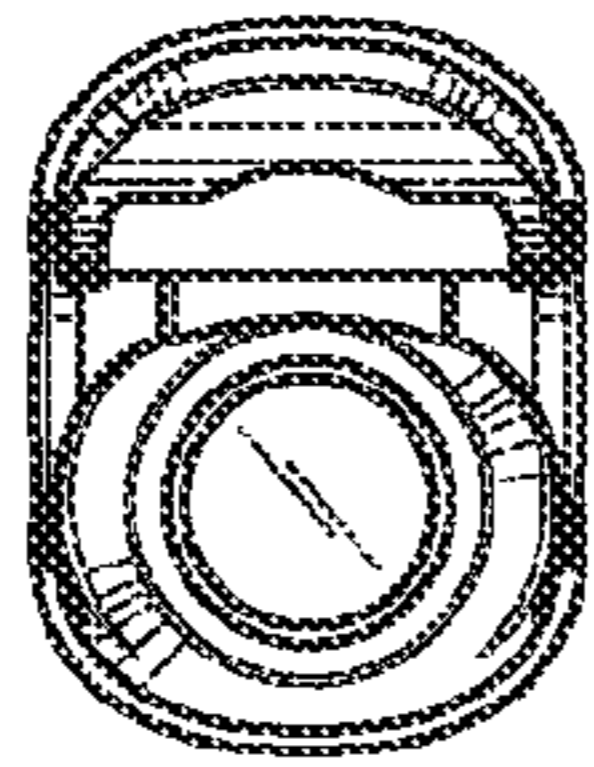


FIG. 4

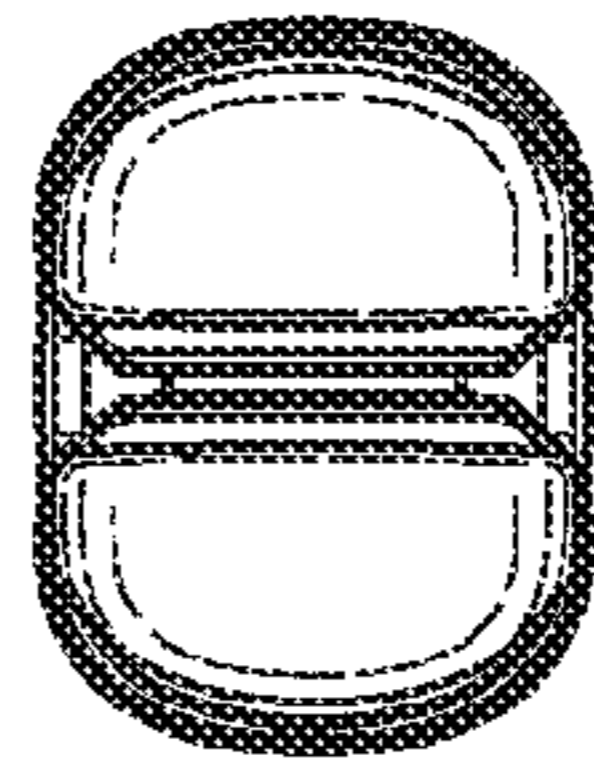


FIG. 5

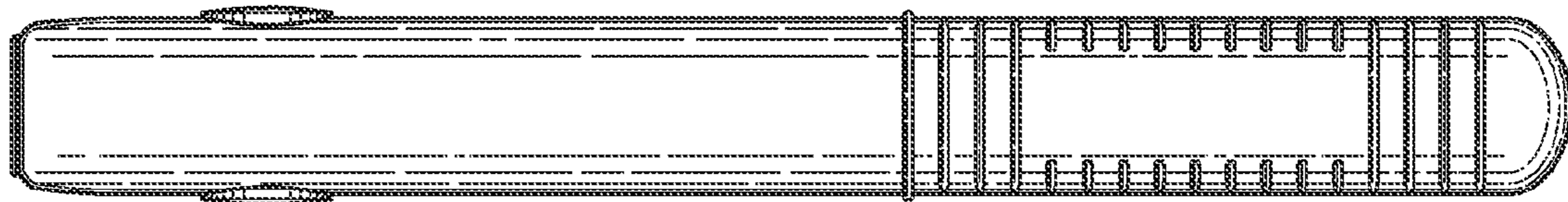


FIG. 6

