



US00D627919S

(12) **United States Design Patent**
Trice

(10) **Patent No.:** **US D627,919 S**

(45) **Date of Patent:** **** Nov. 23, 2010**

(54) **NIGHT LIGHT**

(75) **Inventor:** **Douglas Cameron Trice**, Oklahoma City, OK (US)

(73) **Assignee:** **Jasco Products Company LLC**, Oklahoma City, OK (US)

(**) **Term:** **14 Years**

(21) **Appl. No.:** **29/307,851**

(22) **Filed:** **May 14, 2008**

(51) **LOC (9) Cl.** **26-99**

(52) **U.S. Cl.** **D26/121**

(58) **Field of Classification Search** D23/364, D23/358, 393; D26/26, 118, 85, 11, 120, D26/122, 60, 72, 76, 77, 113, 119, 121; 362/84, 362/641, 642, 643, 644, 255, 291, 294
See application file for complete search history.

(56) **References Cited**

U.S. PATENT DOCUMENTS

2,509,016	A	*	5/1950	Peterson	454/279
D399,014	S	*	9/1998	Emmerling	D26/26
D403,442	S	*	12/1998	Joss	D26/26
D411,001	S	*	6/1999	Pinchuk	D23/364
D426,657	S	*	6/2000	Joss	D26/26
D426,668	S	*	6/2000	Hollinger	D26/125
D429,352	S	*	8/2000	Weinstein	D26/26
D434,863	S	*	12/2000	Boessel	D26/26
D435,125	S	*	12/2000	Boessel	D26/26
D441,468	S	*	5/2001	Bing	D26/26
D446,850	S	*	8/2001	Arlotta et al.	D23/393
D457,234	S	*	5/2002	O'Hagin et al.	D23/393
D461,235	S	*	8/2002	Arlotta et al.	D23/393

6,527,400	B2	*	3/2003	Dickie et al.	362/84
D492,400	S	*	6/2004	Smith et al.	D23/364
D492,760	S	*	7/2004	Garman	D23/364
D503,241	S	*	3/2005	Crosby	D26/118
D521,630	S	*	5/2006	Achen	D23/386
D537,513	S	*	2/2007	Spiegel	D23/364
D545,979	S	*	7/2007	Molenaar et al.	D26/26

OTHER PUBLICATIONS

Web page from www.lowes.com featuring "American Tack & Hardware Theater Nite Lite" with enlarged photo of product.

* cited by examiner

Primary Examiner—Cathron C Brooks

Assistant Examiner—Kevin K Rudzinski

(74) *Attorney, Agent, or Firm*—Crowe & Dunlevy

(57) **CLAIM**

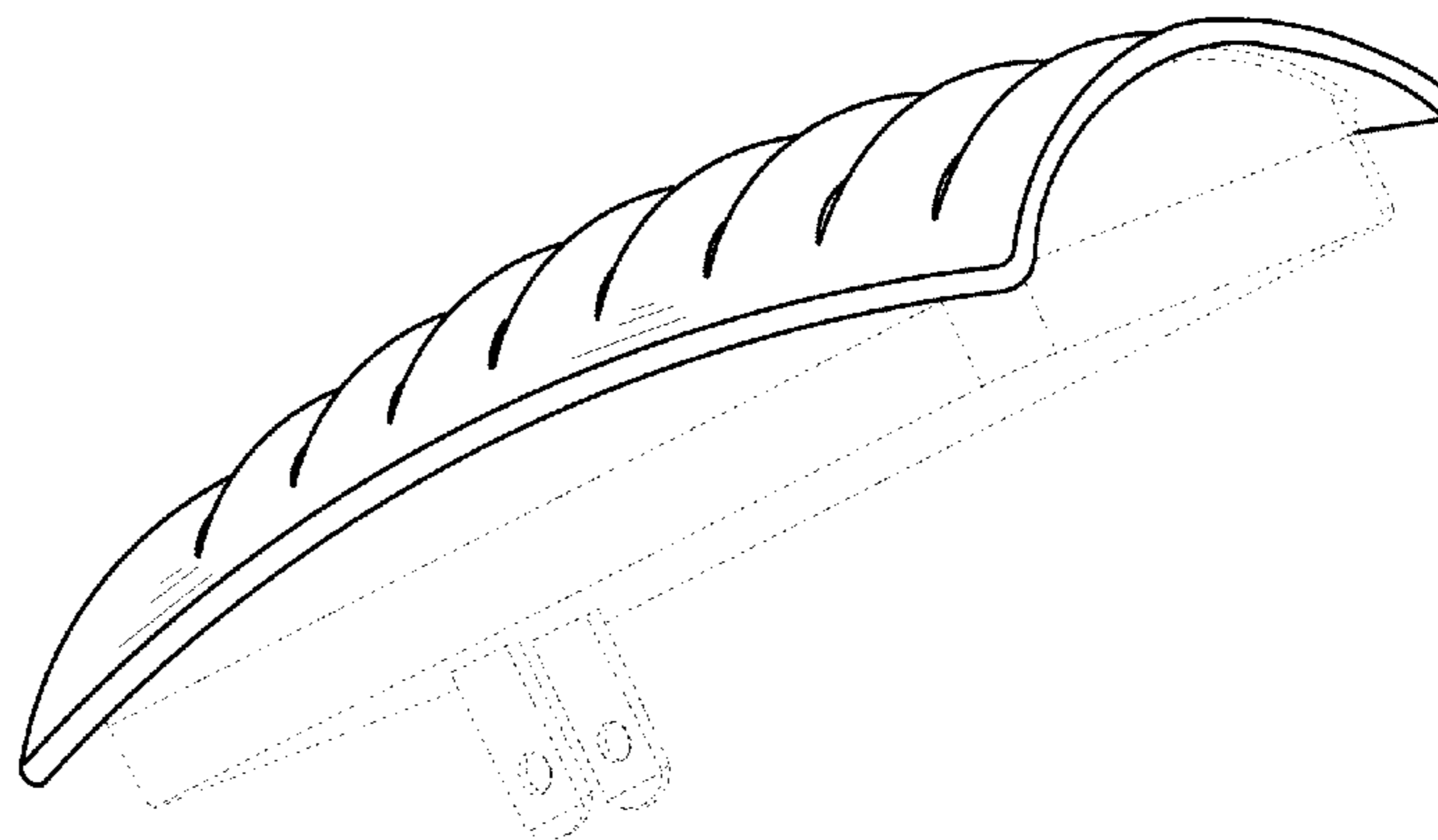
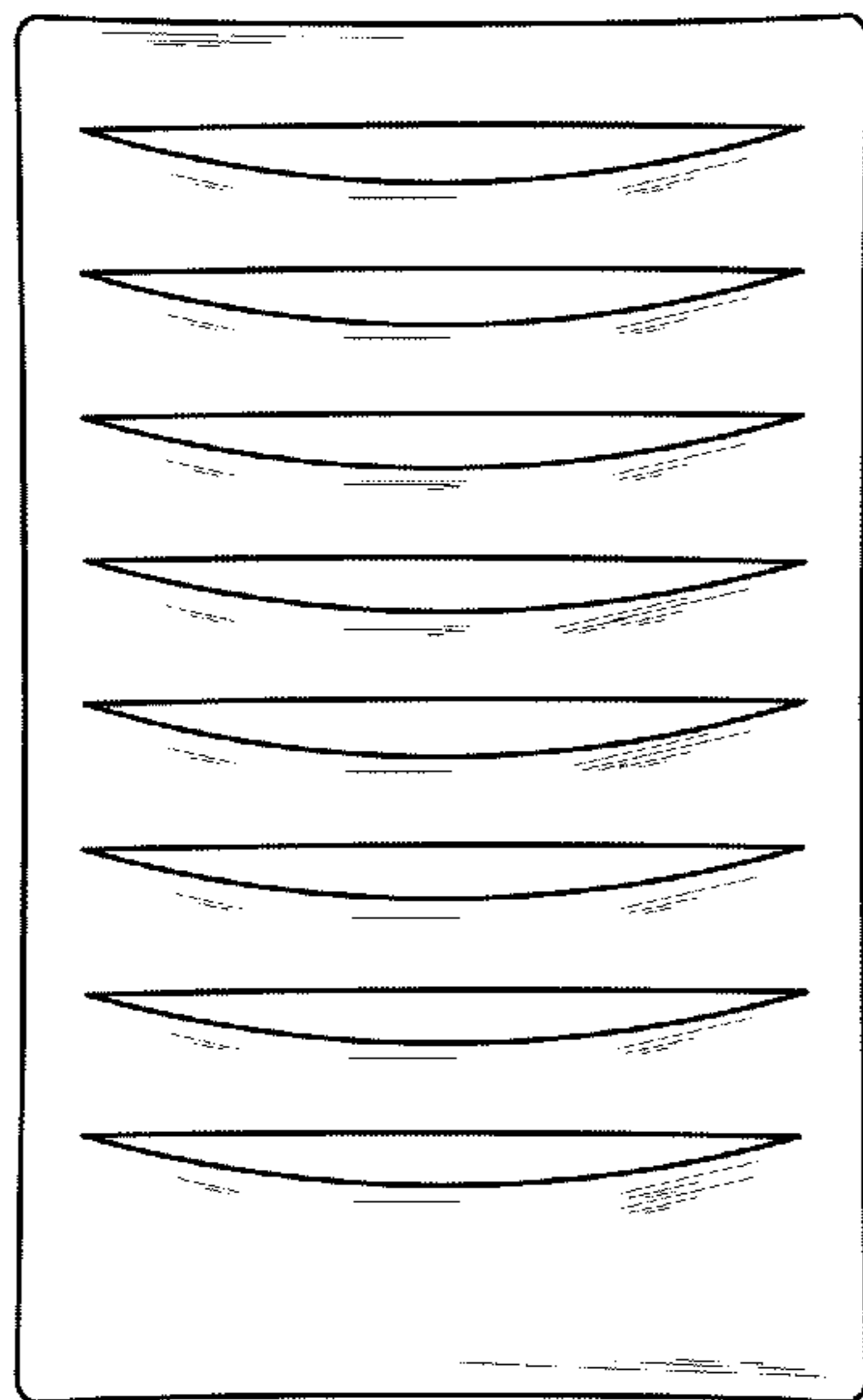
The ornamental design for a night light, as shown and described.

DESCRIPTION

FIG. 1 is a front view of a night light showing my new design; FIG. 2 is a left rear perspective view of the design of FIG. 1; FIG. 3 is a left side elevational view of the design of FIG. 1; FIG. 4 is a back view of the design of FIG. 1; FIG. 5 is a right side elevational view of the design of FIG. 1; FIG. 6 is top plan view of the design of FIG. 1; and, FIG. 7 is bottom plan view of the design of FIG. 1.

The broken line showing of portions of the night light is included for the purpose of illustrating environmental structure and forms no part of the claimed design.

1 Claim, 3 Drawing Sheets



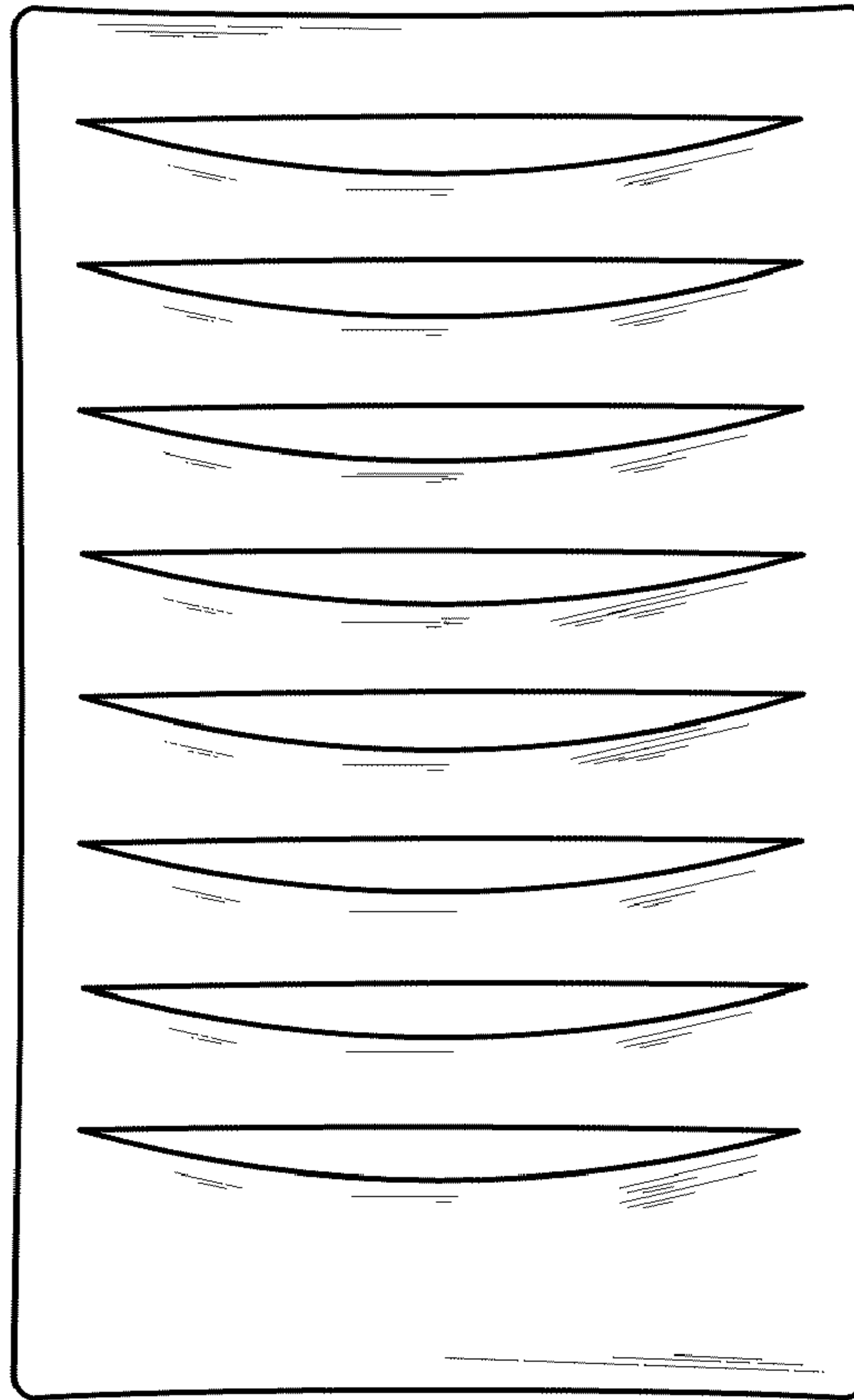


FIG. 1

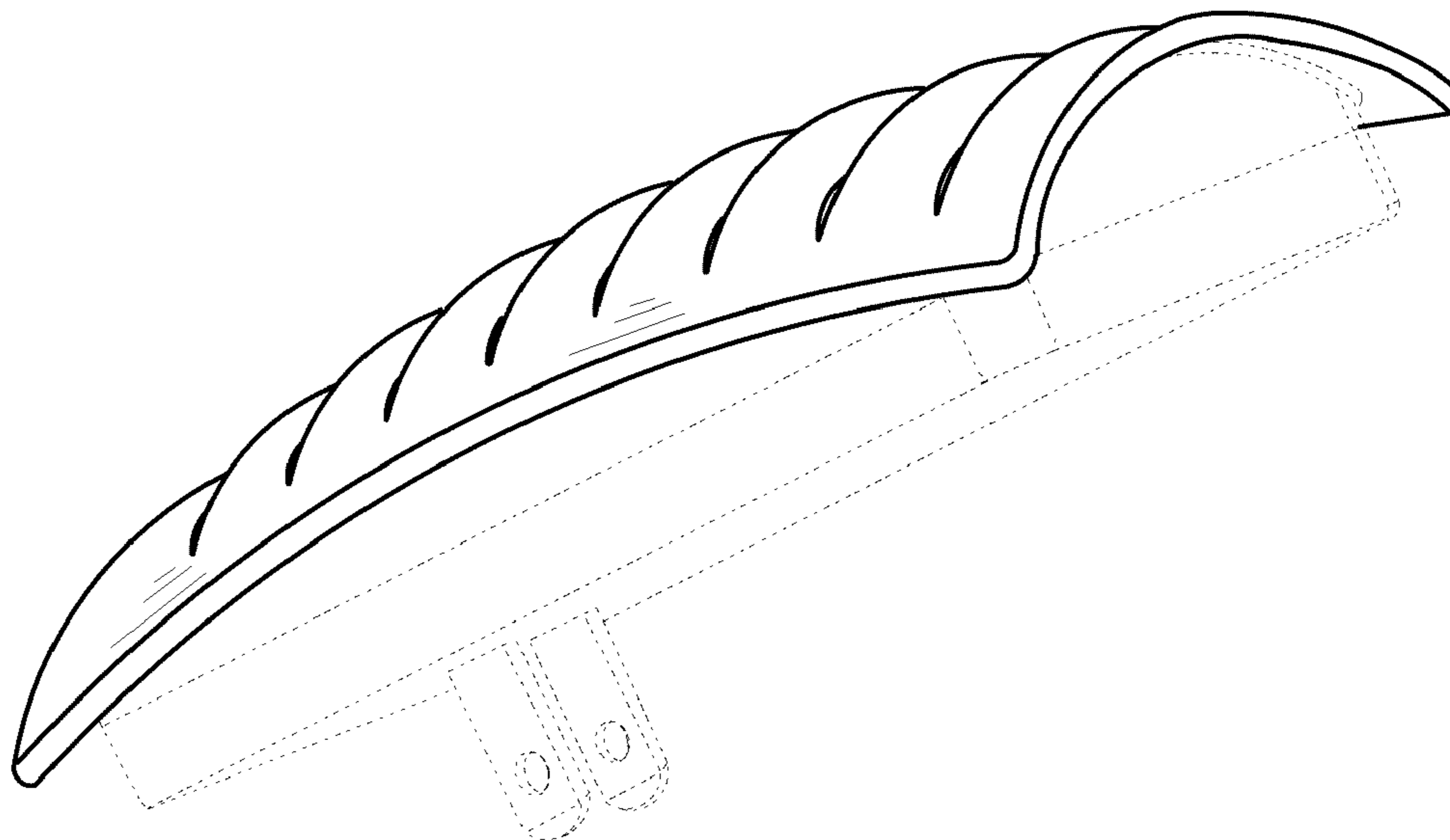


FIG. 2

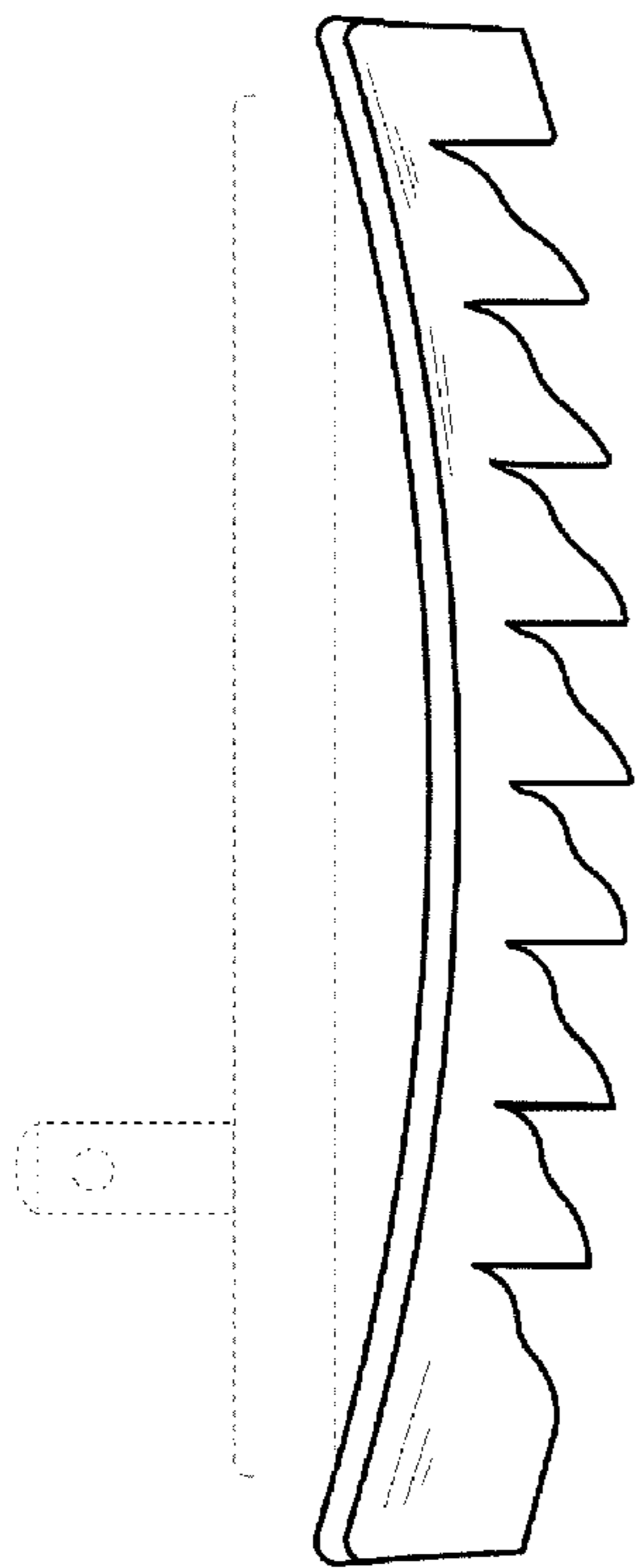


FIG. 3

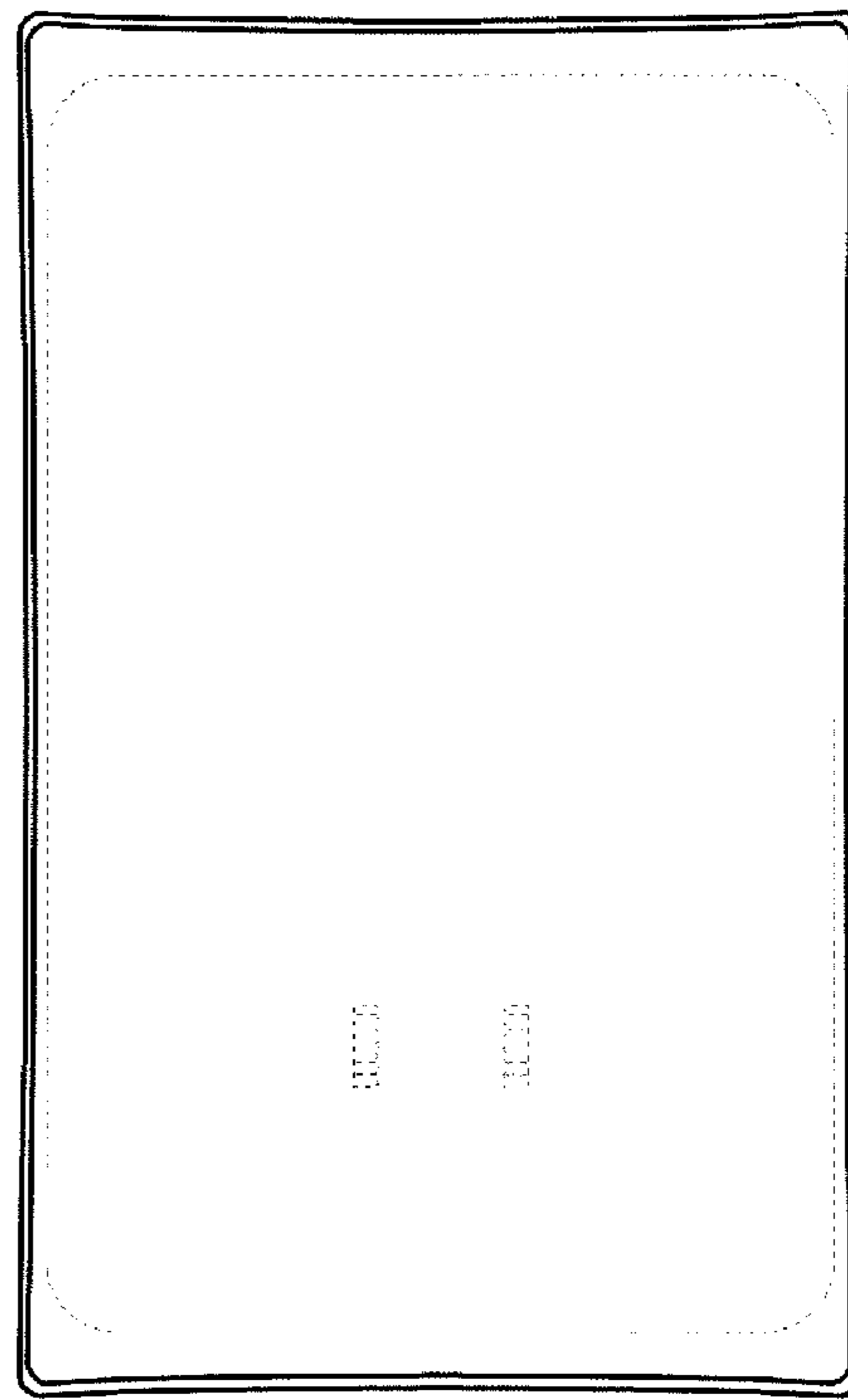


FIG. 4

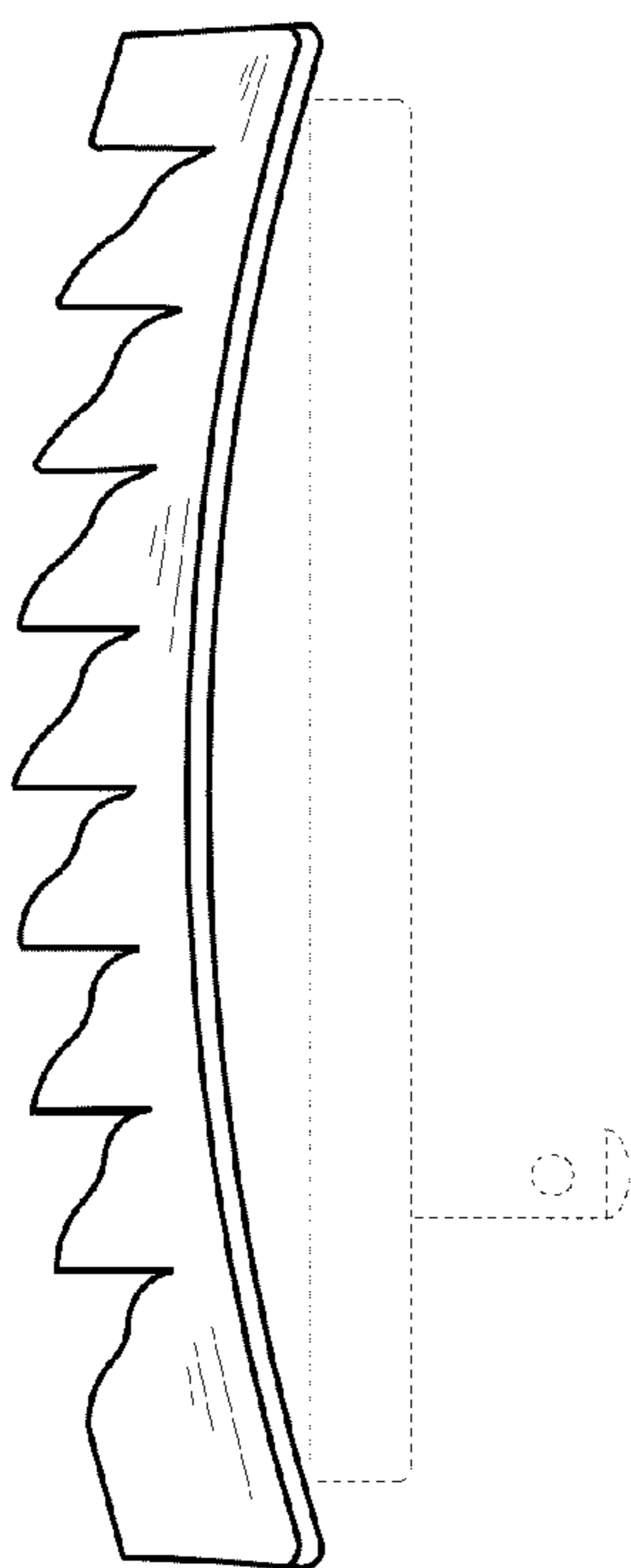


FIG. 5

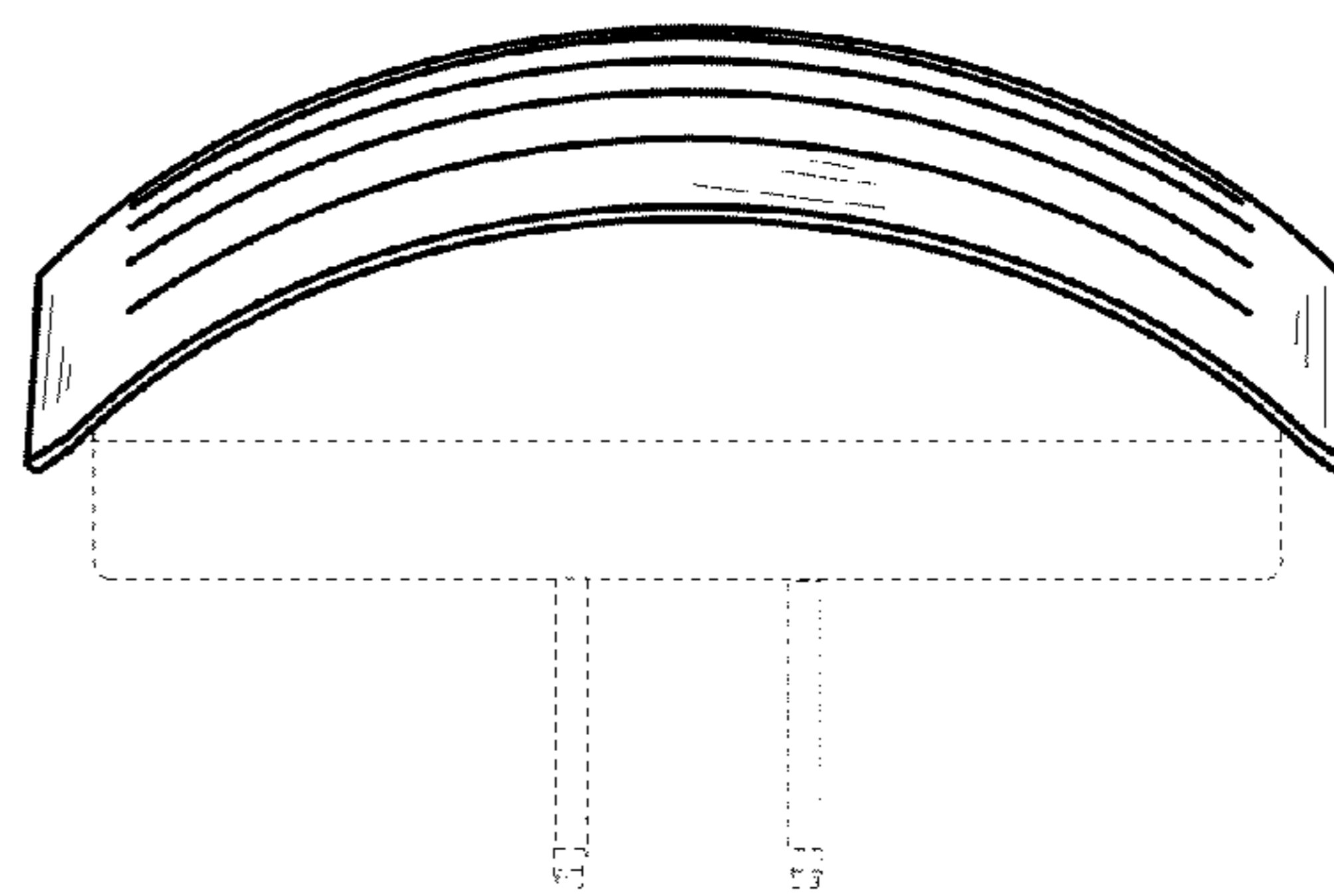


FIG. 6

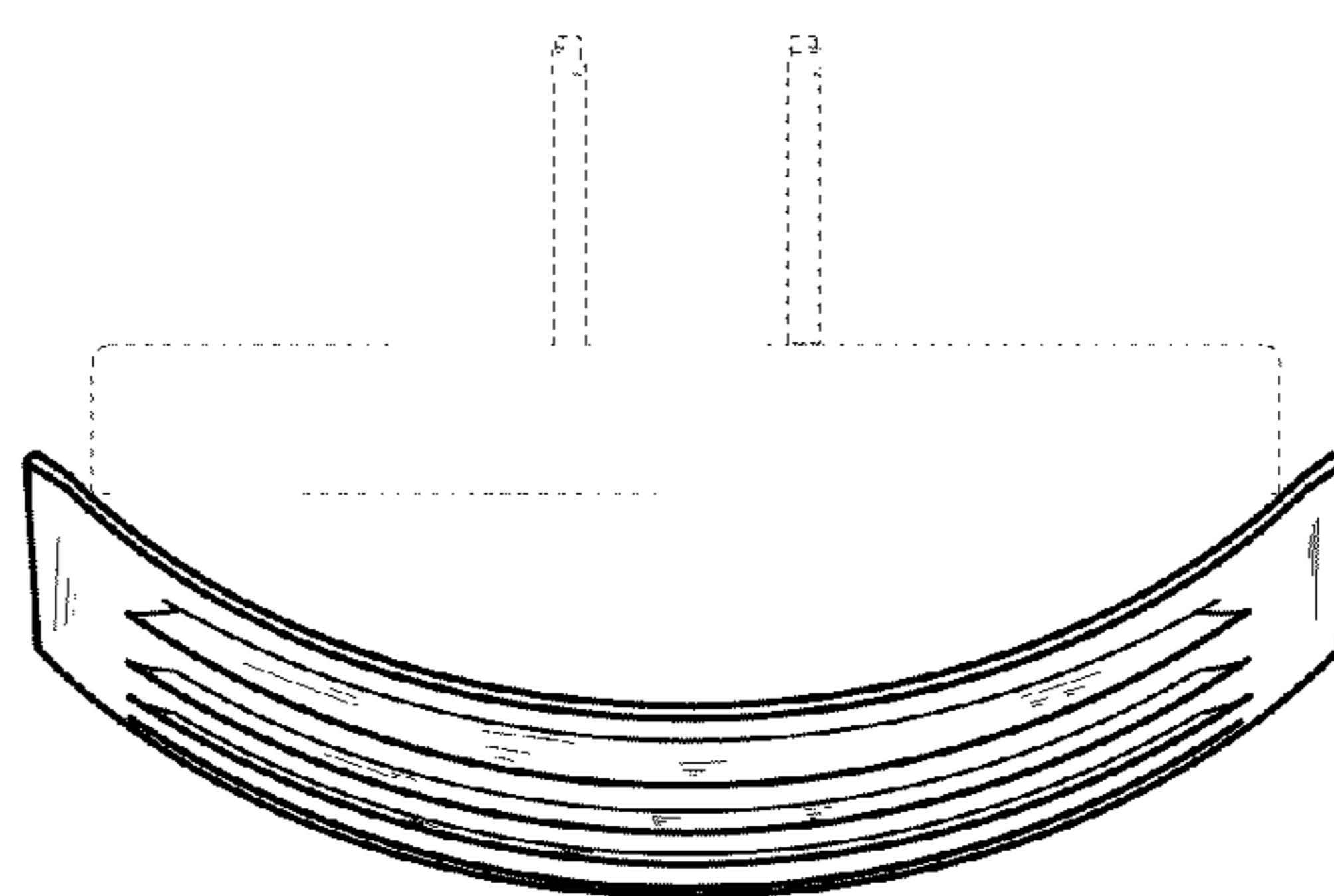


FIG. 7