



US00D627916S

(12) **United States Design Patent**  
**Butteris et al.**

(10) **Patent No.:** **US D627,916 S**

(45) **Date of Patent:** **\*\* Nov. 23, 2010**

(54) **OUTDOOR EMERGENCY LIGHTING  
FIXTURE**

(75) Inventors: **Jamey L. Butteris**, Simpsonville, SC  
(US); **Thomas K. Heaton**, Greenville,  
SC (US); **Michael A. Starinki**, Greer,  
SC (US); **Steven G. Holscher**, Boiling  
Springs, SC (US); **David J. Hatcher**,  
Livingston, TX (US); **Anthony Brunelli**,  
Piedmont, SC (US)

(73) Assignee: **Hubbell Incorporated**, Shelton, CT  
(US)

(\*\*) Term: **14 Years**

(21) Appl. No.: **29/311,182**

(22) Filed: **Jan. 12, 2009**

(51) **LOC (9) Cl.** ..... **26-03**

(52) **U.S. Cl.** ..... **D26/85**

(58) **Field of Classification Search** ..... D26/74,  
D26/80, 85-88, 92, 118, 128; 362/147, 364,  
362/432

See application file for complete search history.

(56) **References Cited**

**U.S. PATENT DOCUMENTS**

D151,626 S	*	11/1948	Kress	.....	D26/85
D186,718 S	*	11/1959	Summers	.....	D26/104
D248,184 S	*	6/1978	Roberts	.....	D26/85
D312,890 S	*	12/1990	Compton	.....	D26/69
D315,416 S	*	3/1991	Ziaylek et al.	.....	D26/28
D318,135 S	*	7/1991	Hall et al.	.....	D26/67
D352,126 S	*	11/1994	Ruud et al.	.....	D26/67
D357,997 S	*	5/1995	Wegrzyn et al.	.....	D26/85
D397,484 S	*	8/1998	Ballard	.....	D26/85
D403,458 S	*	12/1998	Walz	.....	D26/85
D446,340 S		8/2001	Bradford et al.		
D459,515 S	*	6/2002	Gaskins et al.	.....	D26/67
D468,046 S		12/2002	Bernard et al.		
D484,633 S		12/2003	Campagna		
D495,747 S		9/2004	Boodhoo		

6,834,988 B2		12/2004	Beno et al.		
D524,673 S		7/2006	Dicke et al.		
D552,292 S		10/2007	Martineau		
D553,789 S		10/2007	Akinrele et al.		
D553,790 S		10/2007	Akinrele et al.		
D558,910 S	*	1/2008	Martineau	.....	D26/85
D559,424 S		1/2008	Martineau et al.		
D561,058 S		2/2008	Taylor		
D565,236 S		3/2008	Russello et al.		
D568,524 S		5/2008	Sandell		
D569,540 S		5/2008	Bourgeois et al.		
D569,755 S		5/2008	Humble et al.		
D580,579 S	*	11/2008	Love et al.	.....	D26/67

**OTHER PUBLICATIONS**

Architectural wall-mounted fixtures #WST, #WSR and #WSQ shown on pp. 506 and 507 of the Lithonia Lighting catalog dated Mar. 15, 2006 ( 2 pages).\*

\* cited by examiner

*Primary Examiner*—Clare E Heflin

(74) *Attorney, Agent, or Firm*—Jenae C. Gureff; Mark S. Bicks; Alfred N. Goodman

(57) **CLAIM**

The ornamental design for an outdoor emergency lighting fixture, as shown and described.

**DESCRIPTION**

FIG. 1 is a front elevational view of an outdoor emergency lighting fixture in accordance with an embodiment of the present invention;

FIG. 2 is a bottom plan view thereof;

FIG. 3 is a top plan view thereof;

FIG. 4 is a right side, elevational view thereof, the left side being a mirror image thereof;

FIG. 5 is a rear elevational view thereof;

FIG. 6 is a top right perspective view thereof; and,

FIG. 7 is a bottom right perspective view thereof.

**1 Claim, 3 Drawing Sheets**

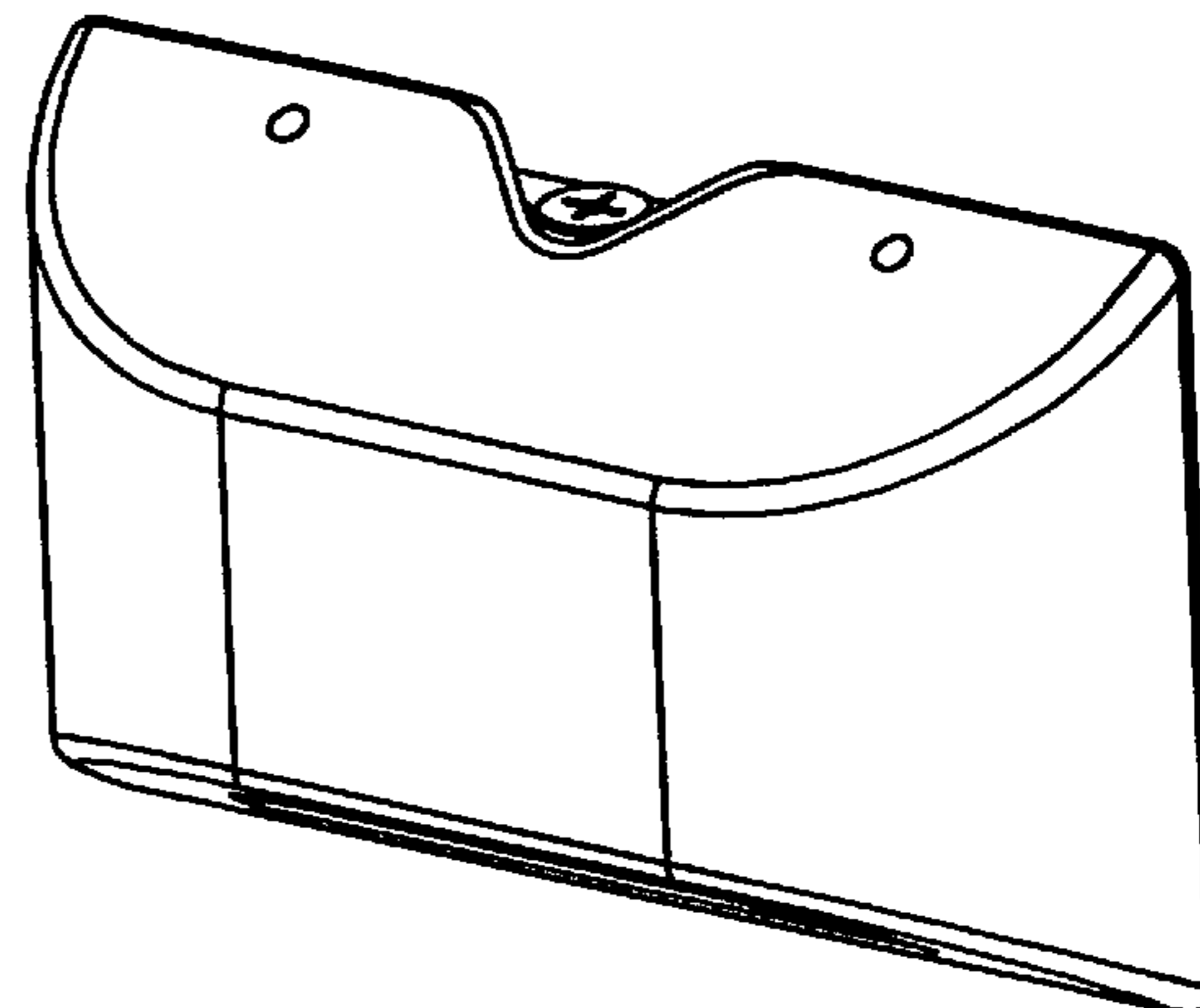
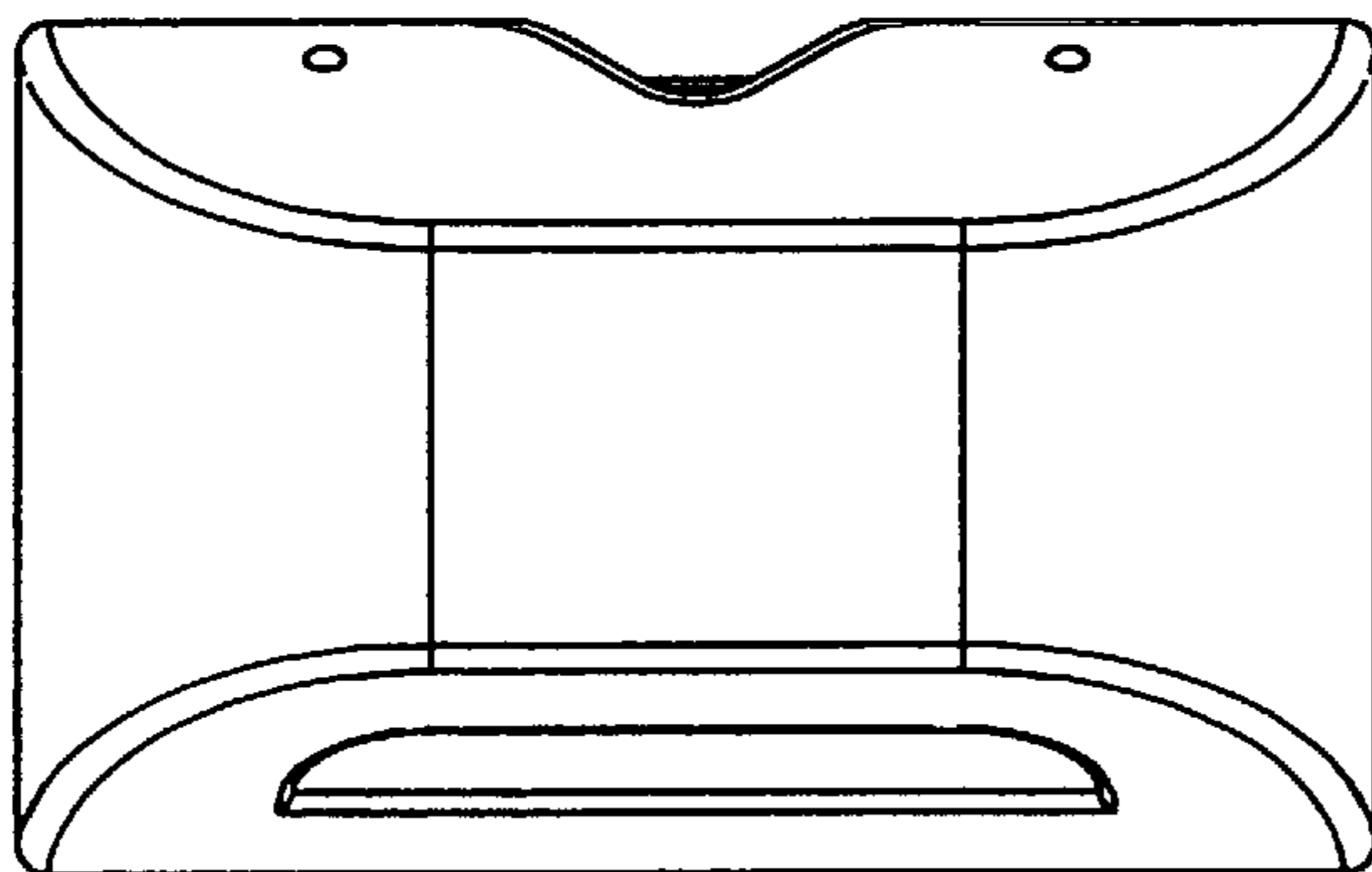


FIG. 1

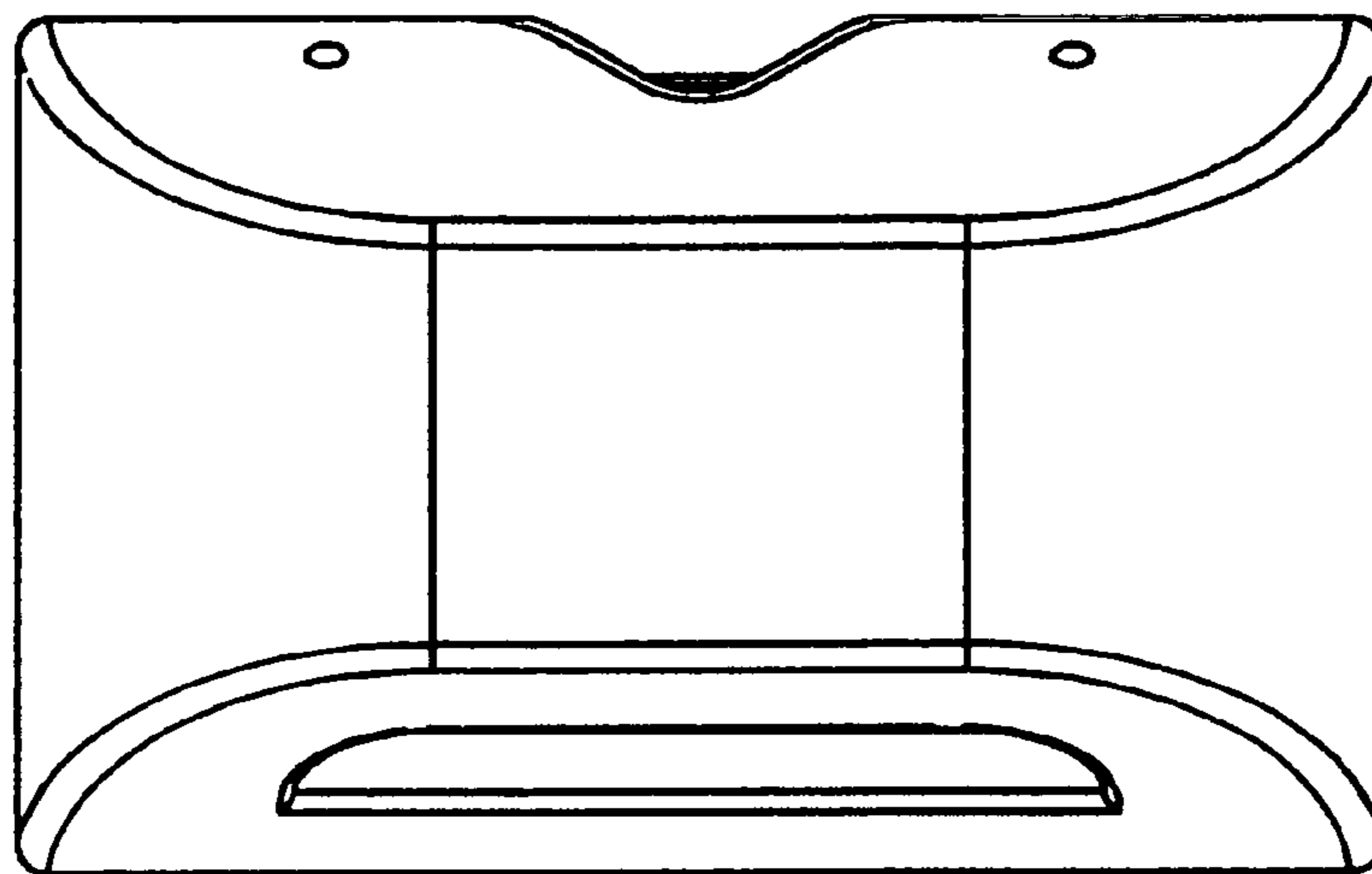


FIG. 2

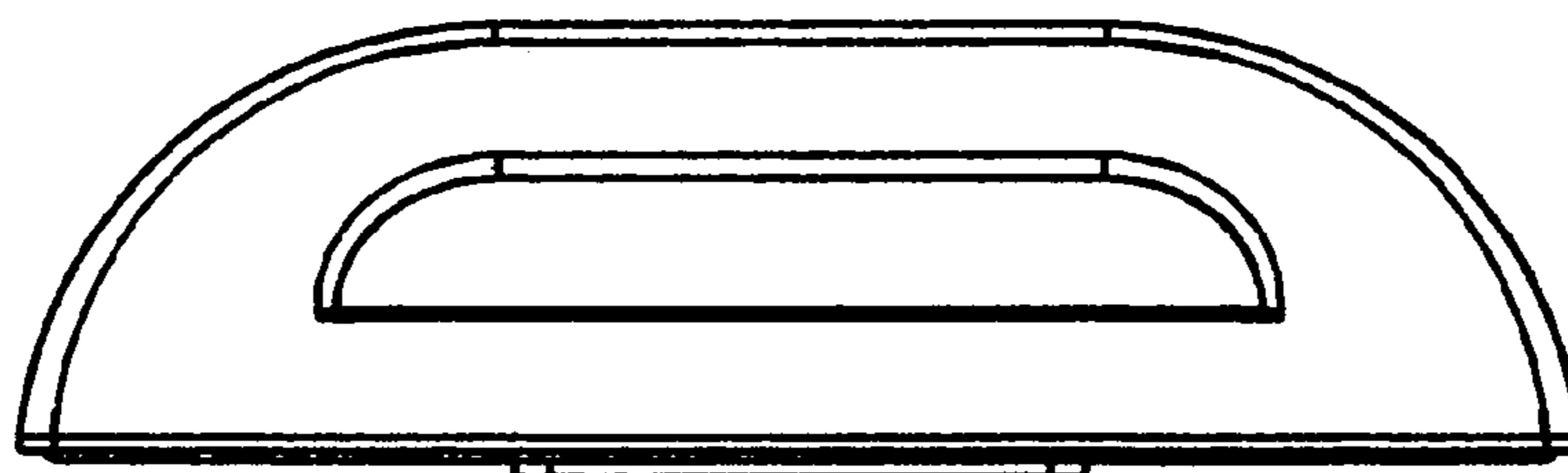


FIG. 3

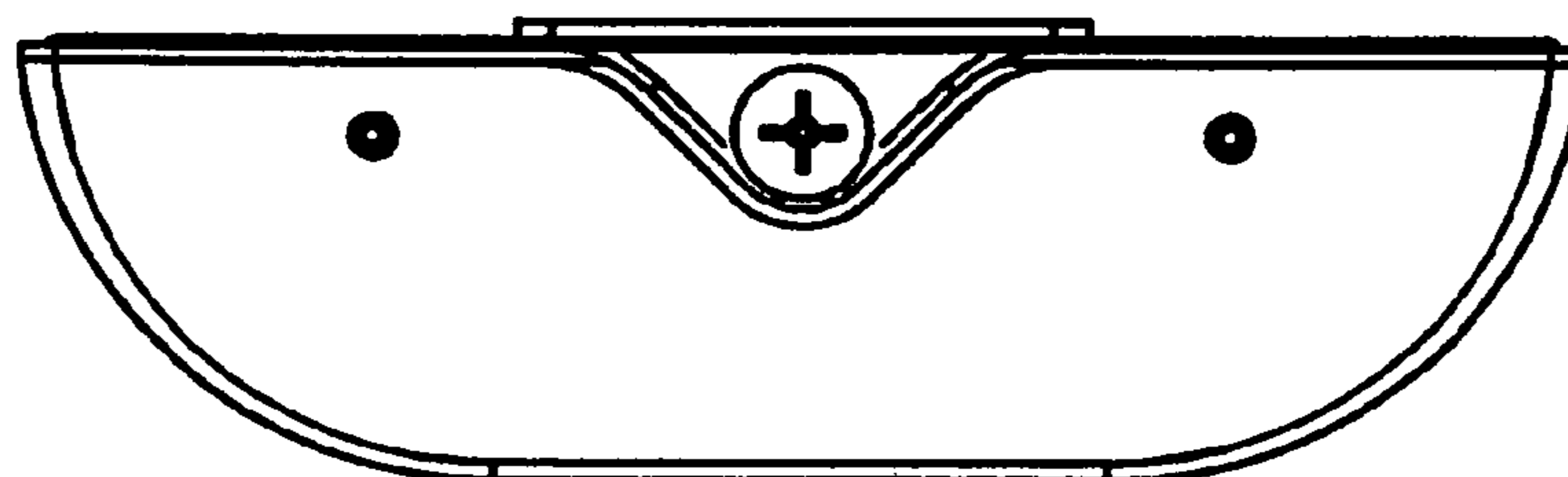


FIG. 4

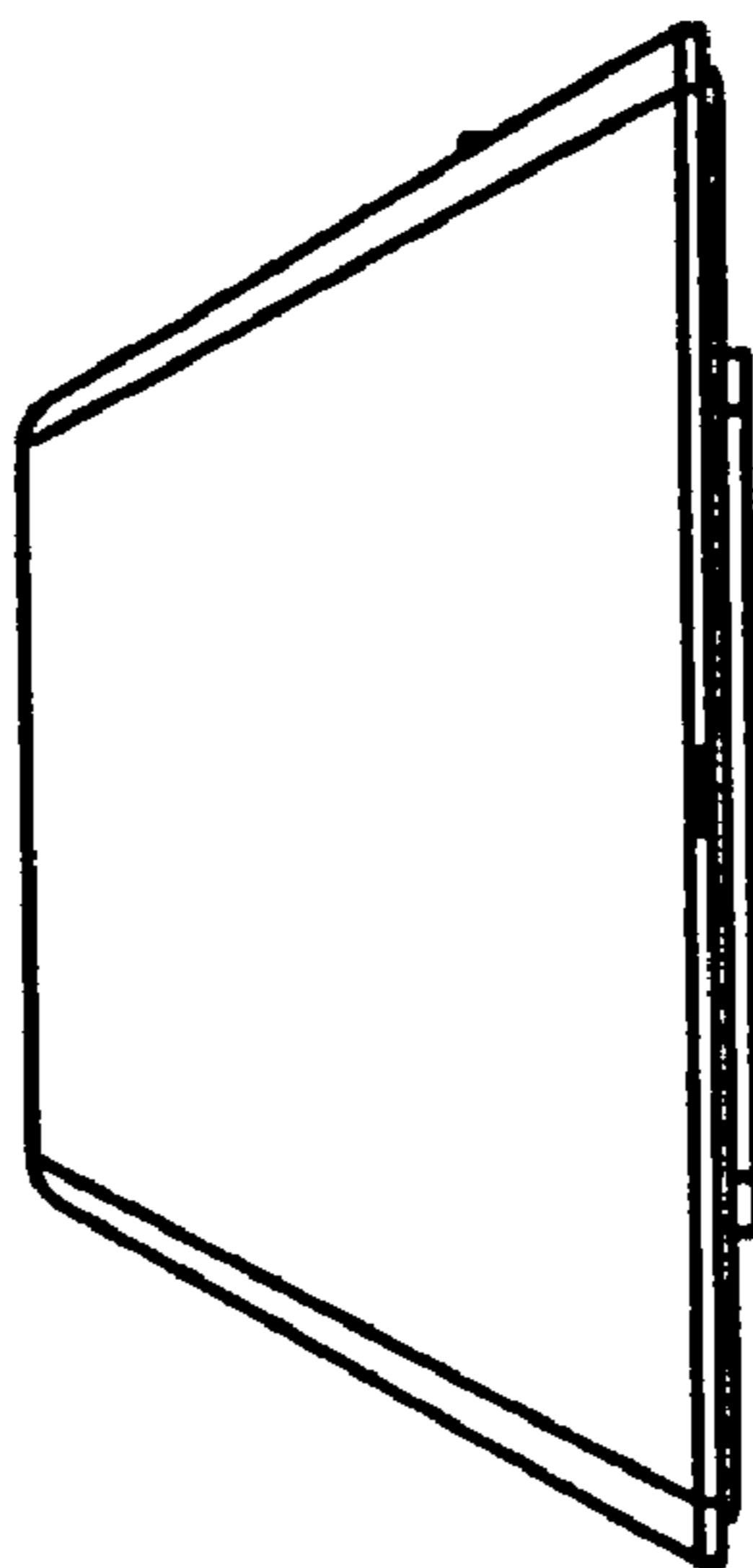


FIG. 5

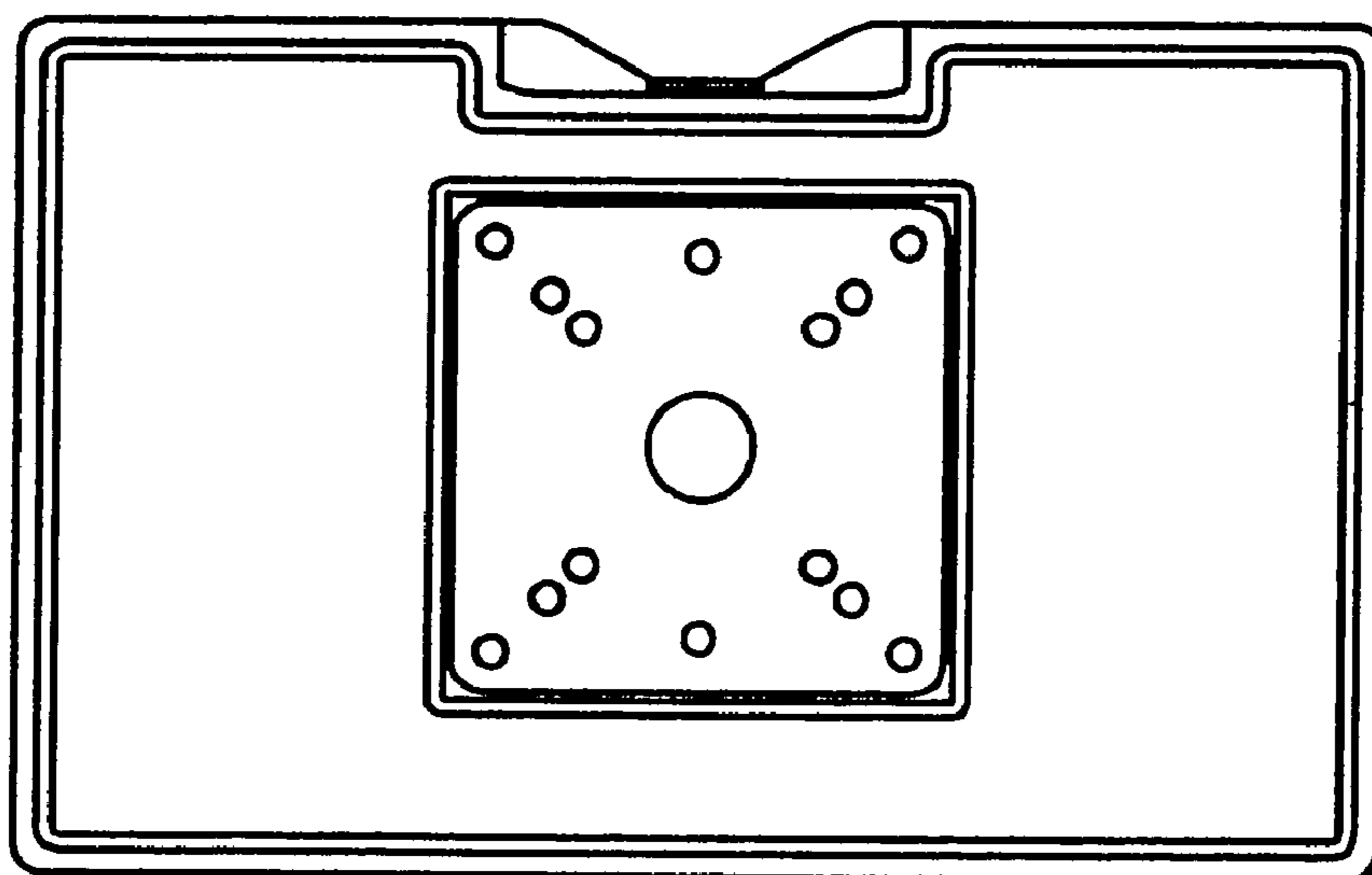


FIG. 6

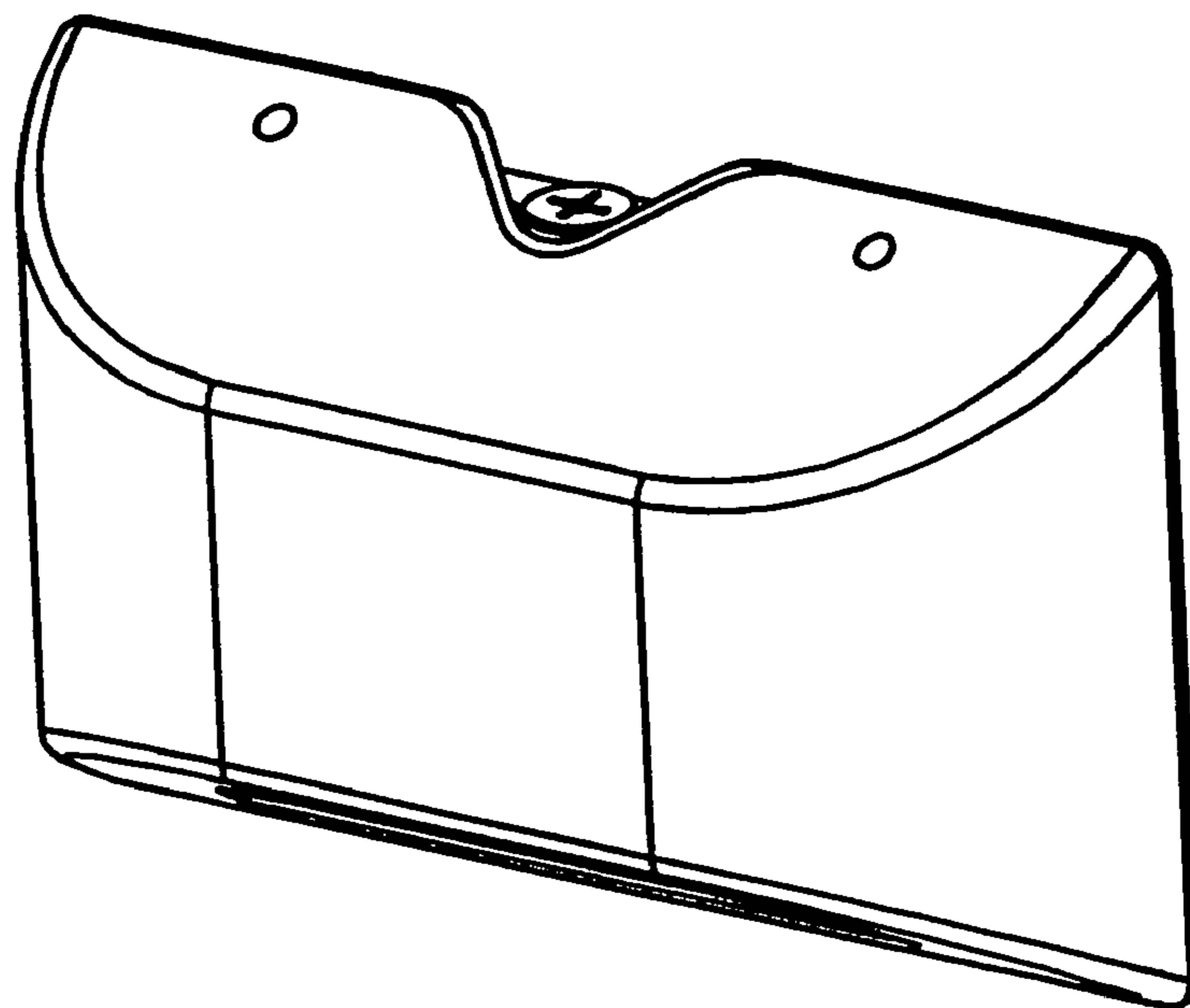


FIG. 7

