



US00D627915S

(12) **United States Design Patent**
Pei et al.

(10) **Patent No.:** **US D627,915 S**

(45) **Date of Patent:** **** Nov. 23, 2010**

(54) **LAMP**

(75) Inventors: **Chien-Chang Pei**, Taipei (TW);
Hsi-Chuan Hsu, Taipei (TW); **Yi-Hung**
Chen, Taipei (TW); **Ying-Chu Lin**,
Taipei (TW); **Chia-Hao Liang**, Taipei
(TW); **Chao-Sheng Dong**, Taipei (TW)

(73) Assignee: **Everlight Electronics Co., Ltd**, Taipei
(TW)

(**) Term: **14 Years**

(21) Appl. No.: **29/362,529**

(22) Filed: **May 27, 2010**

(51) **LOC (9) Cl.** **26-03**

(52) **U.S. Cl.** **D26/76**

(58) **Field of Classification Search** D26/61,
D26/72, 74-79; 362/217-225, 260-263,
362/283, 337, 347, 364; 439/225, 232-234,
439/239-241

See application file for complete search history.

(56) **References Cited**

U.S. PATENT DOCUMENTS

D150,830	S	*	9/1948	Duepner	D26/77
4,644,454	A	*	2/1987	Herst et al.	362/224
D348,946	S	*	7/1994	Watters et al.	D26/76
D348,947	S	*	7/1994	Holcomb	D26/76
D396,122	S	*	7/1998	Noh	D26/76
D556,359	S	*	11/2007	Cunius	D26/76

D569,025	S	*	5/2008	Hakamada	D26/74
D569,027	S	*	5/2008	Hakamada	D26/76
D602,627	S	*	10/2009	Lasthein et al.	D26/77
D603,548	S	*	11/2009	Pei et al.	D26/76
D608,487	S	*	1/2010	Pei et al.	D26/76
D619,292	S	*	7/2010	Pei et al.	D26/76

* cited by examiner

Primary Examiner—Susan E Krakower

(74) *Attorney, Agent, or Firm*—Jianq Chyun IP Office

(57) **CLAIM**

The ornamental design for a lamp, as shown and described.

DESCRIPTION

FIG. 1 is a perspective view of a lamp illustrating our new design.

FIG. 2 is another perspective view thereof.

FIG. 3 is a front view thereof.

FIG. 4 is a rear view thereof.

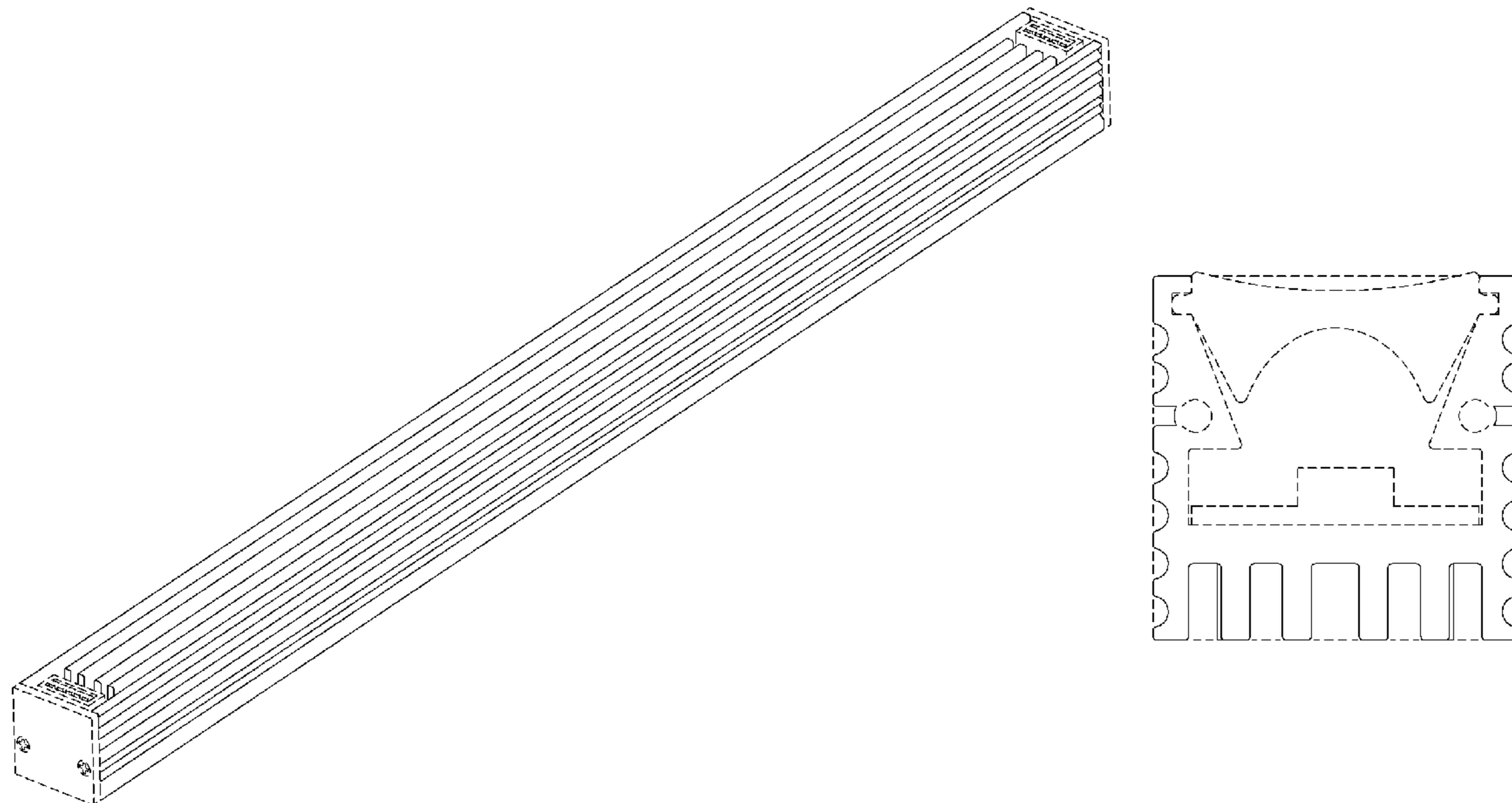
FIG. 5 is a left side view thereof, the right side view being a mirror image of the left side view.

FIG. 6 is an enlarged top view thereof, the bottom view being a mirror image of the top view; and,

FIG. 7 is an enlarged cross-sectional view taken along line 7—7 in FIG. 3.

The broken lines illustrate portions of the lamp which form no part of the claimed design.

1 Claim, 4 Drawing Sheets



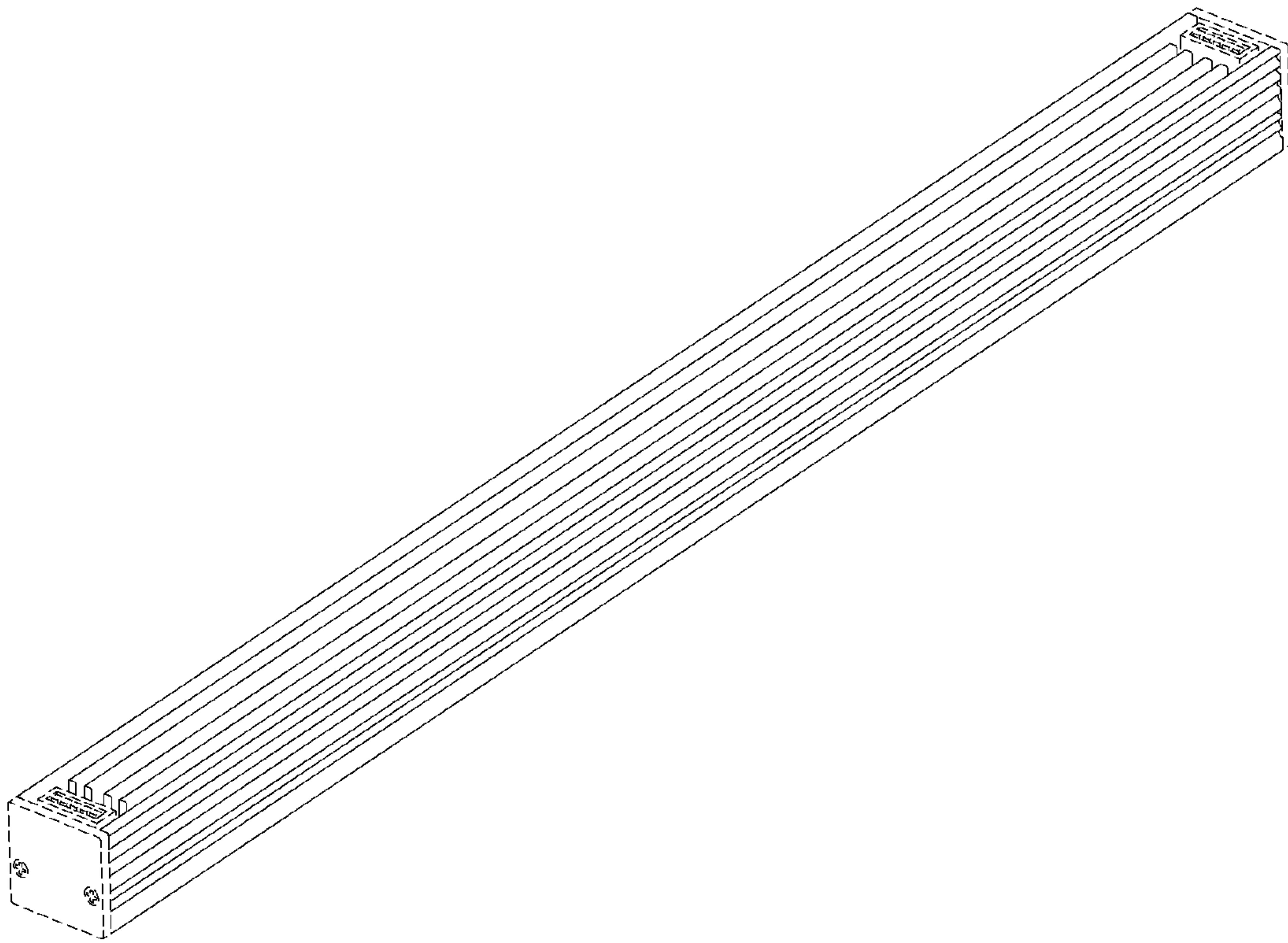


FIG. 1

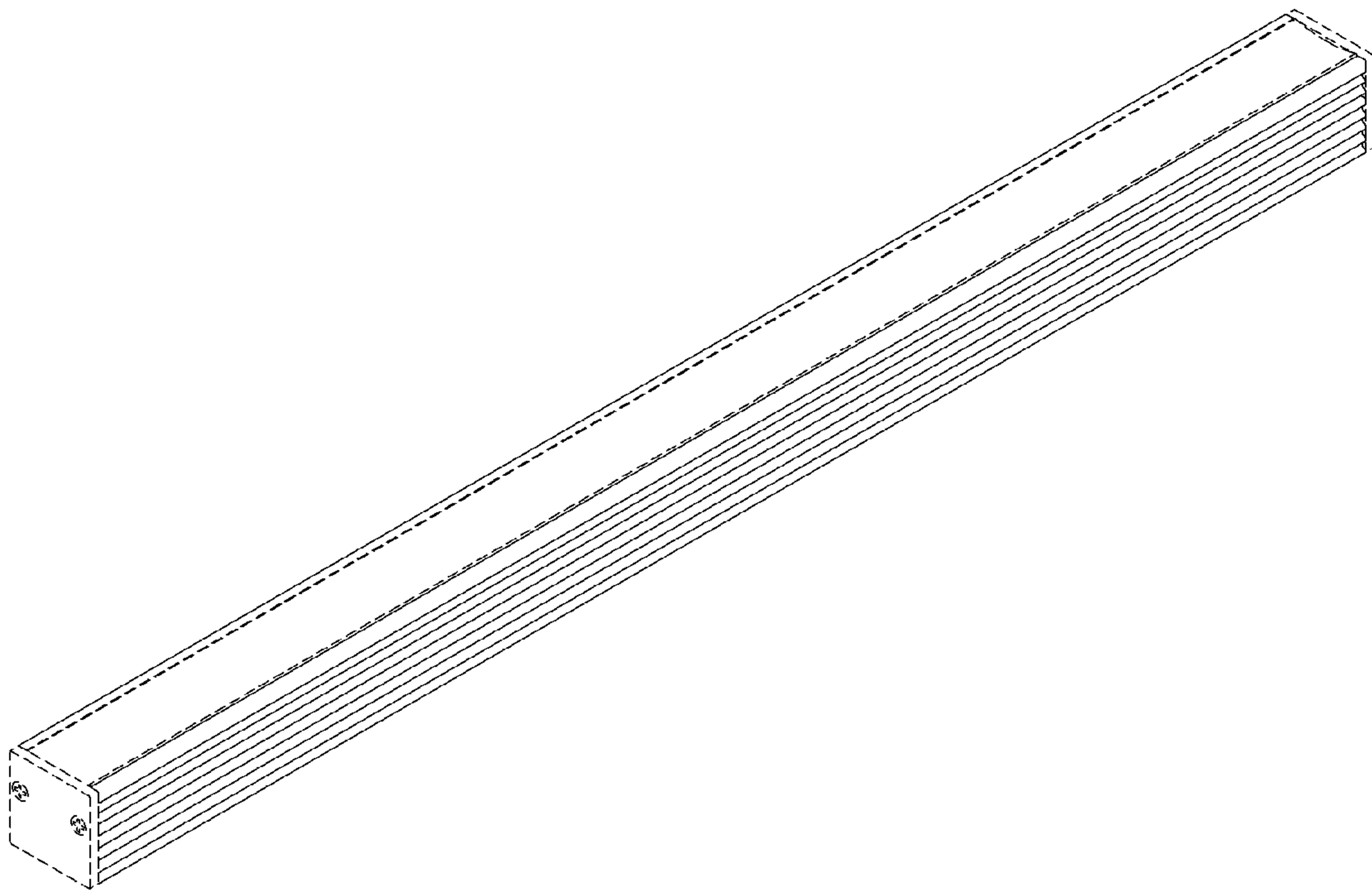


FIG. 2

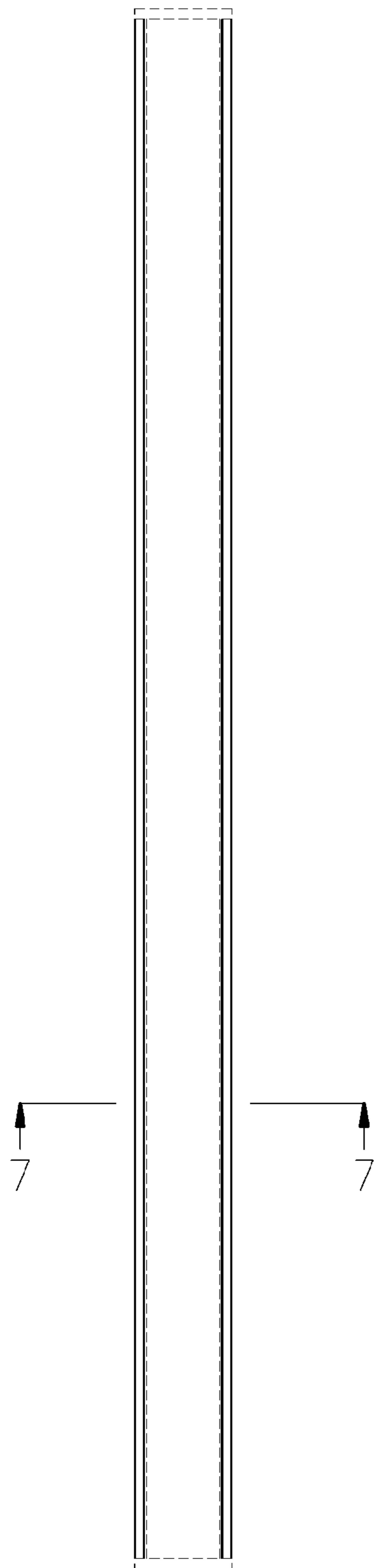


FIG. 3

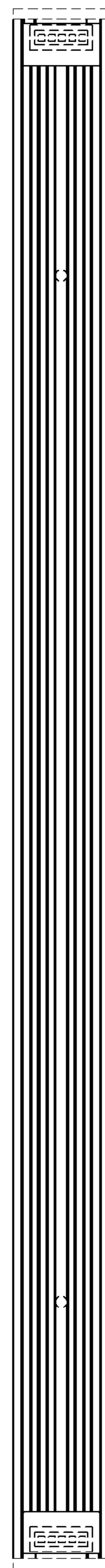


FIG. 4

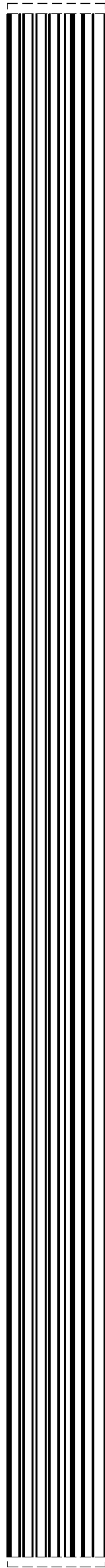


FIG. 5

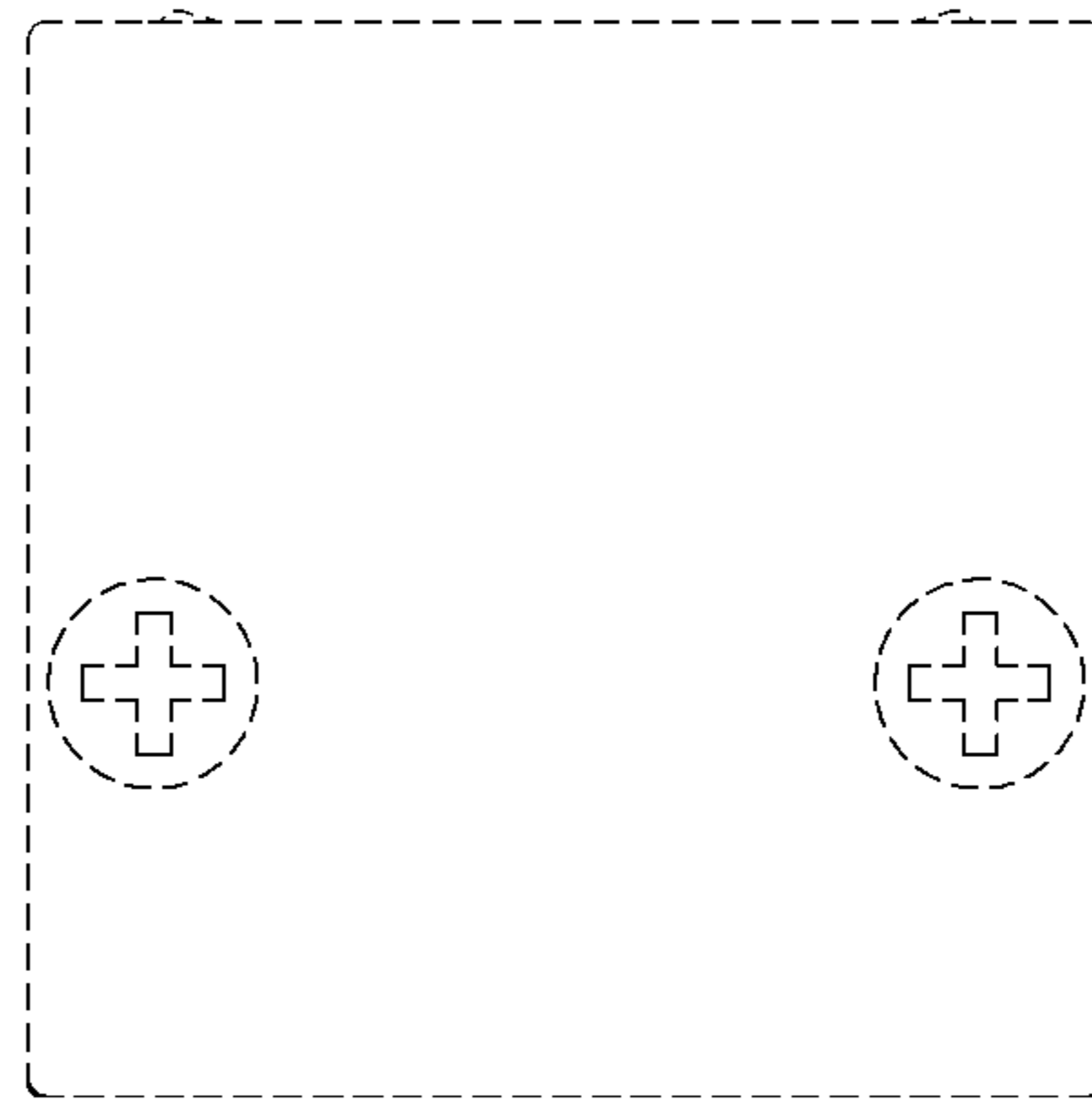


FIG. 6

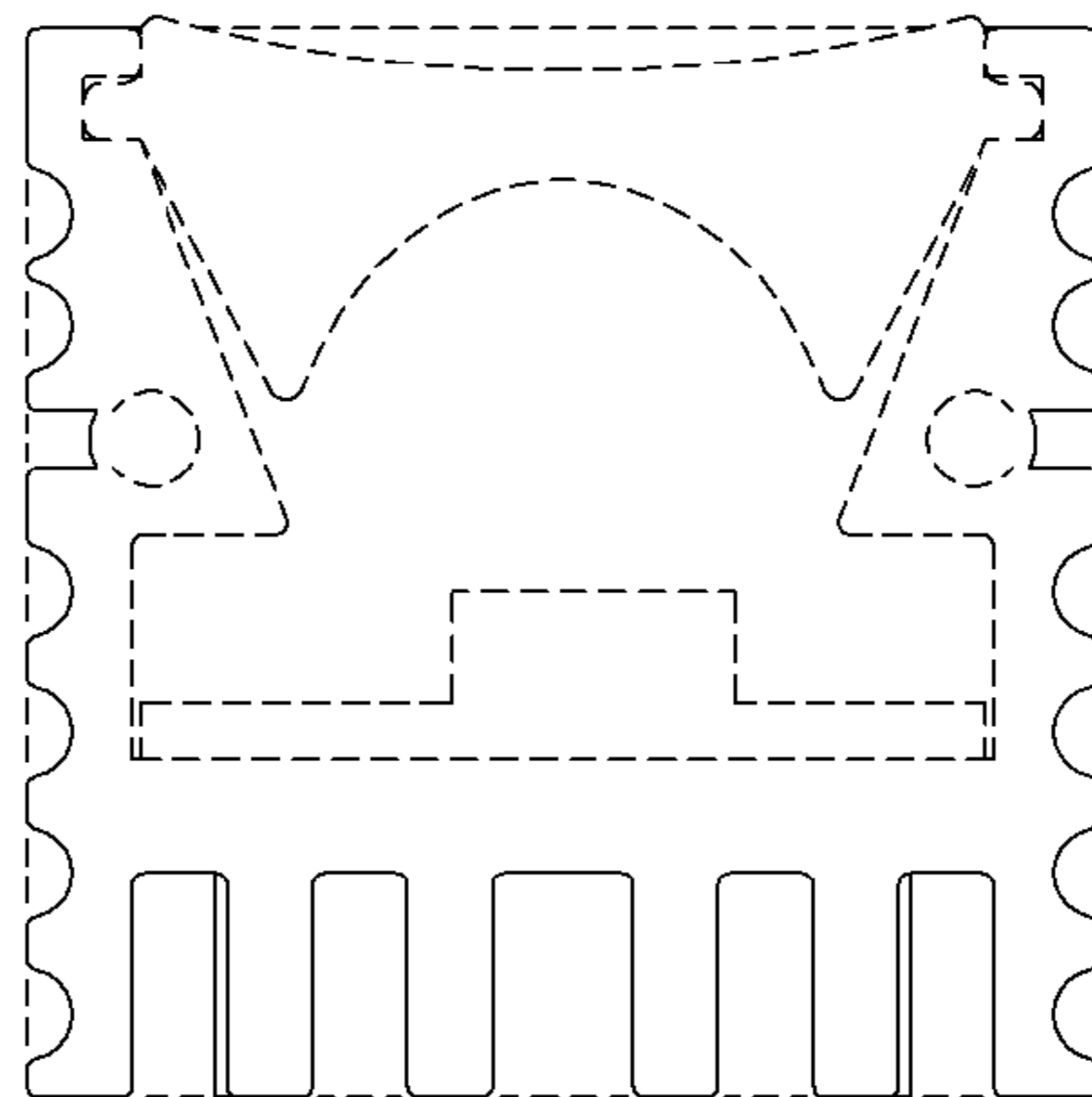


FIG. 7