



US00D627914S

(12) **United States Design Patent**
Couture

(10) **Patent No.:** **US D627,914 S**

(45) **Date of Patent:** **** Nov. 23, 2010**

(54) **LIGHTING APPARATUS**

(75) Inventor: **Peter R. Couture**, Hampstead, NH (US)

(73) Assignee: **International Light Technologies, Inc.**,
Peabody, MA (US)

(**) Term: **14 Years**

(21) Appl. No.: **29/359,086**

(22) Filed: **Apr. 6, 2010**

(51) **LOC (9) Cl.** **26-03**

(52) **U.S. Cl.** **D26/76**

(58) **Field of Classification Search** D26/72,
D26/74, 75, 76, 77, 78, 79, 80, 81, 82, 83,
D26/84, 85, 86, 88, 89, 90, 91, 1, 2, 3, 24,
D26/56; D13/180, 182; 362/555, 576, 147,
362/150, 217.01, 219, 217.02, 217.03, 217.04,
362/217.05, 217.08, 217.09, 260, 364, 365,
362/366, 404, 800

See application file for complete search history.

(56) **References Cited**

U.S. PATENT DOCUMENTS

D380,058 S *	6/1997	Kane et al.	D26/27
D381,760 S *	7/1997	Costa	D26/76
D397,481 S *	8/1998	Schafer	D26/85
D421,505 S *	3/2000	Hastings et al.	D26/76
D446,877 S *	8/2001	Lester	D26/72
D595,444 S *	6/2009	Shimomura	D26/76

D606,673 S *	12/2009	Kao	D26/3
D607,599 S *	1/2010	Zhou et al.	D26/80
D610,736 S *	2/2010	Klaus	D26/76
D614,323 S *	4/2010	Stewart et al.	D26/3
D617,015 S *	6/2010	Mollaert et al.	D26/3
D617,935 S *	6/2010	Miletich et al.	D26/76

* cited by examiner

Primary Examiner—Angela J Lee

(74) *Attorney, Agent, or Firm*—Strategic Patents, P.C.

(57) **CLAIM**

The ornamental design for a lighting apparatus, as shown and described.

DESCRIPTION

FIG. 1 is a perspective view of a design for a lighting apparatus.

FIG. 2 is a top view of the design.

FIG. 3 is a bottom view of the design.

FIG. 4 is a left side view of the design.

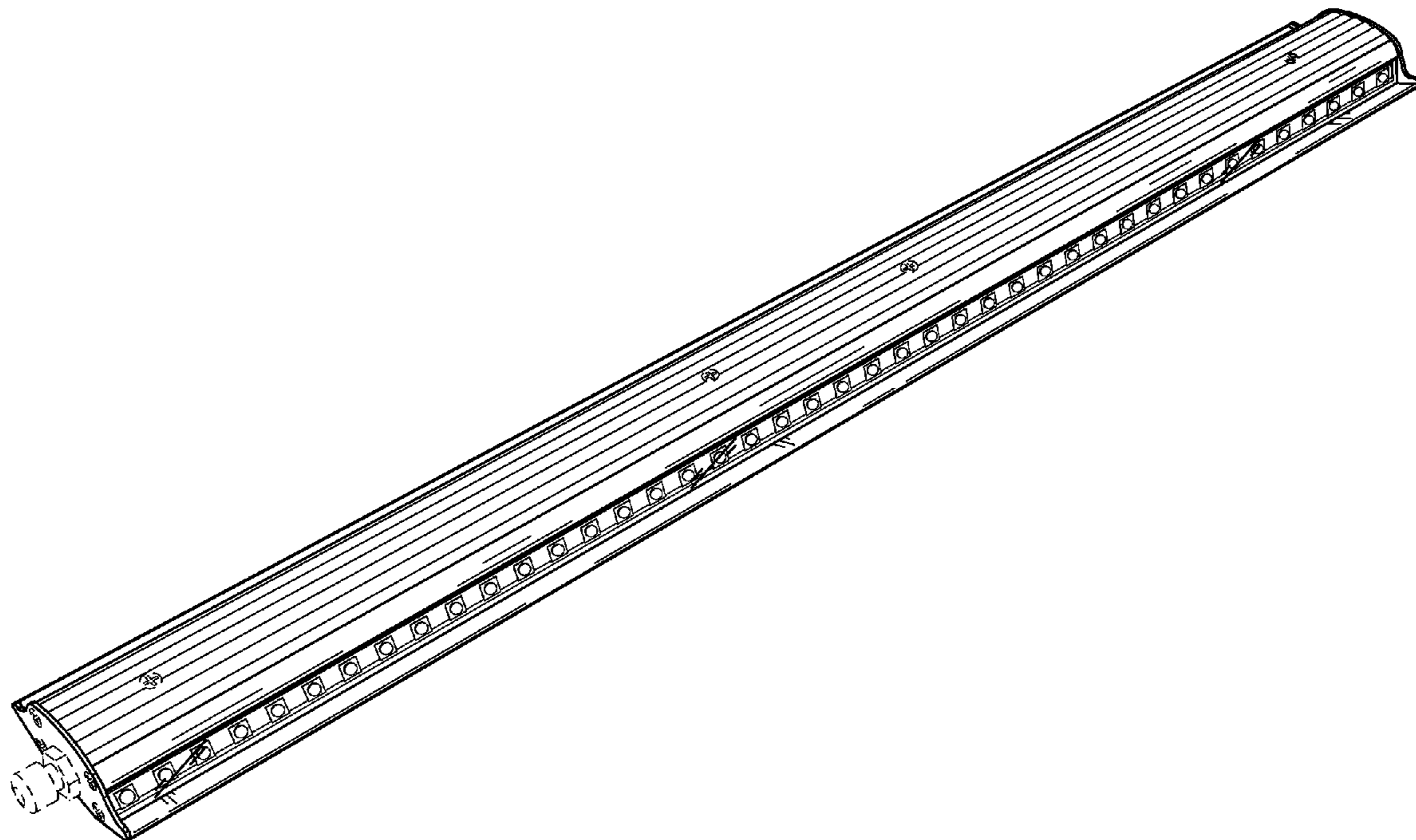
FIG. 5 is a right side view of the design.

FIG. 6 is a front view of the design; and,

FIG. 7 is a back view of the design.

The broken lines showing portions of the lighting apparatus are for illustrative purposes only and form no part of the claimed design.

1 Claim, 4 Drawing Sheets



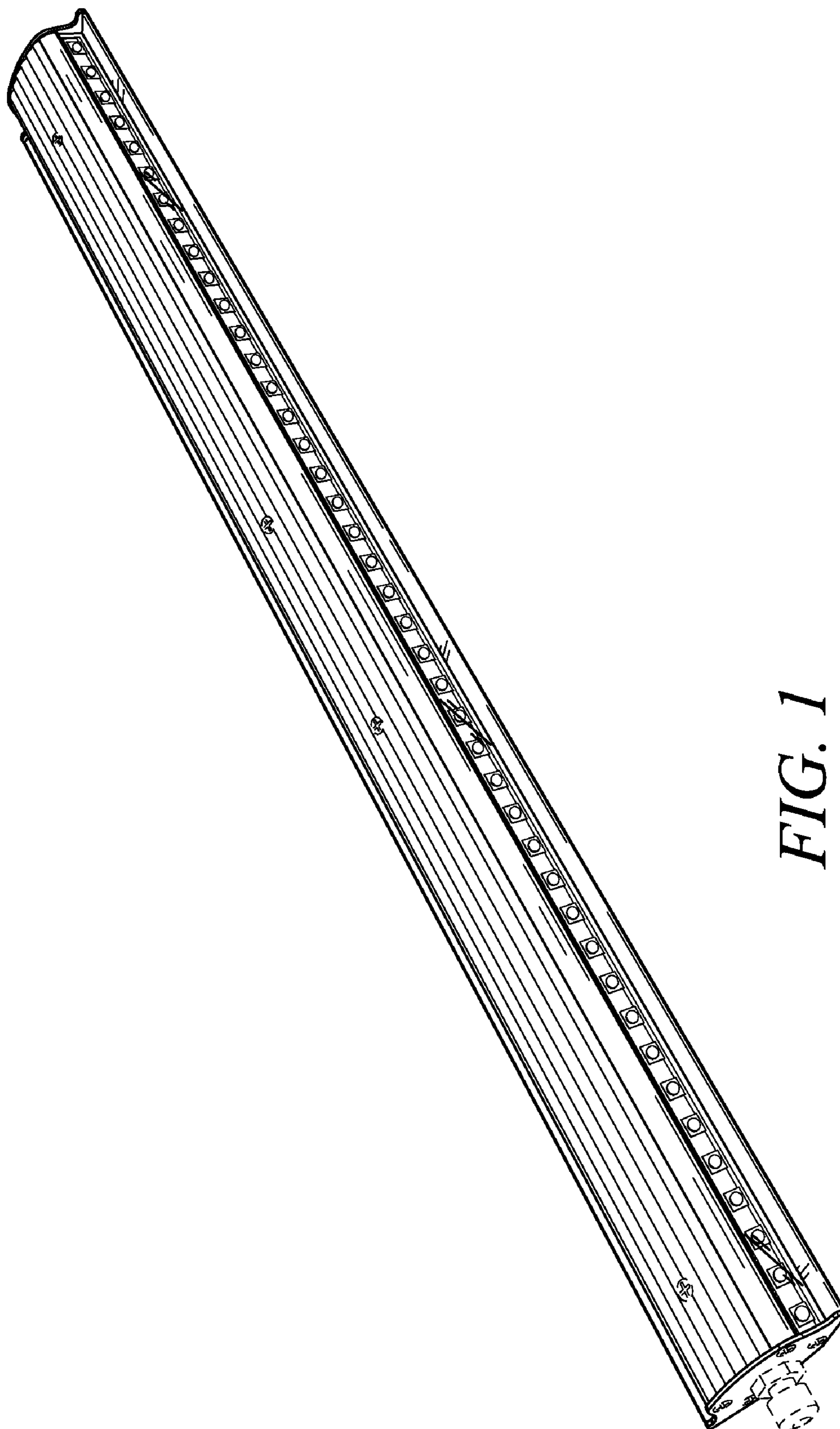


FIG. 1

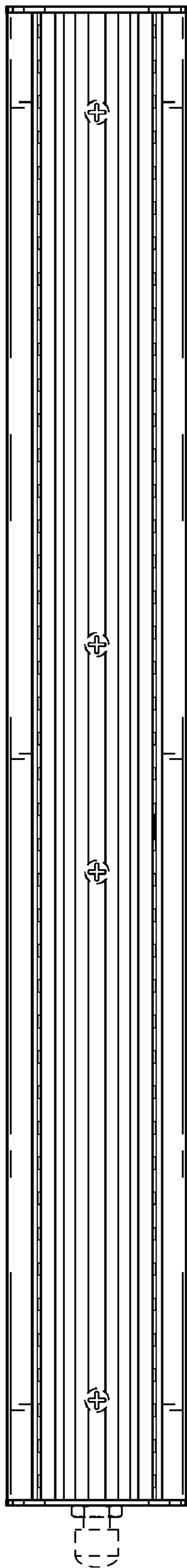


FIG. 2

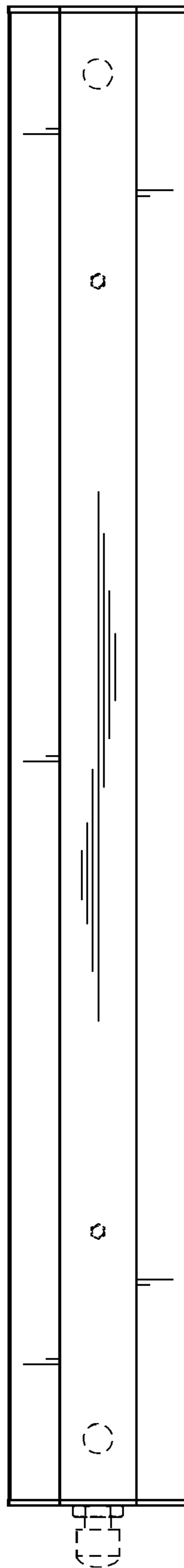


FIG. 3



FIG. 4



FIG. 5

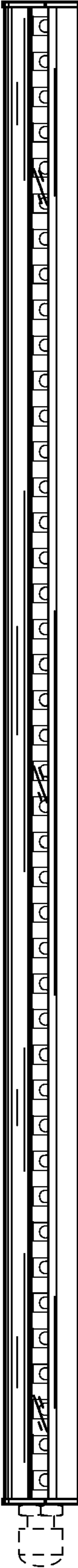


FIG. 6

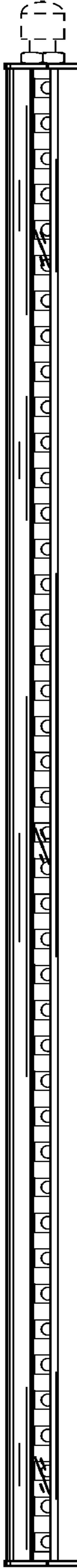


FIG. 7