



US00D627913S

(12) **United States Design Patent**
Gielen

(10) **Patent No.:** **US D627,913 S**

(45) **Date of Patent:** **** Nov. 23, 2010**

(54) **LUMINAIRE**

(75) **Inventor:** **Wim Gielen**, Antwerp (BE)

(73) **Assignee:** **Koninklijke Philips Electronics N.V.**,
Eindhoven (NL)

(**) **Term:** **14 Years**

(21) **Appl. No.:** **29/344,682**

(22) **Filed:** **Oct. 2, 2009**

(51) **LOC (9) Cl.** **26-05**

(52) **U.S. Cl.** **D26/74**

(58) **Field of Classification Search** D26/72,
D26/74, 75, 76, 77, 78, 79, 80, 81, 82, 83,
D26/84, 85, 86, 88, 89, 90, 91, 1, 2, 3, 24,
D26/56; D13/180, 182; 362/555, 576, 147,
362/150, 217.01, 219, 217.02, 217.03, 217.04,
362/217.05, 217.08, 217.09, 260, 364, 365,
362/366, 404, 800

See application file for complete search history.

(56) **References Cited**

U.S. PATENT DOCUMENTS

D154,525 S * 7/1949 Winkler et al. D26/83
D165,259 S * 11/1951 Baker D26/74
D291,253 S * 8/1987 Ortega D26/29

D437,074 S * 1/2001 Johnson D26/74
D469,212 S * 1/2003 Chiu D26/118
D568,517 S * 5/2008 Redfern et al. D26/63
D574,089 S * 7/2008 Takada et al. D26/1
D574,090 S * 7/2008 Takada et al. D26/1
D578,692 S * 10/2008 Engel D26/63
D603,081 S * 10/2009 Boyer et al. D26/88
D618,827 S * 6/2010 Matsumoto et al. D26/1
2005/0002184 A1 * 1/2005 Kotovsky 362/147
2008/0239709 A1 * 10/2008 Rapeanu et al. 362/147

* cited by examiner

Primary Examiner—Angela J Lee

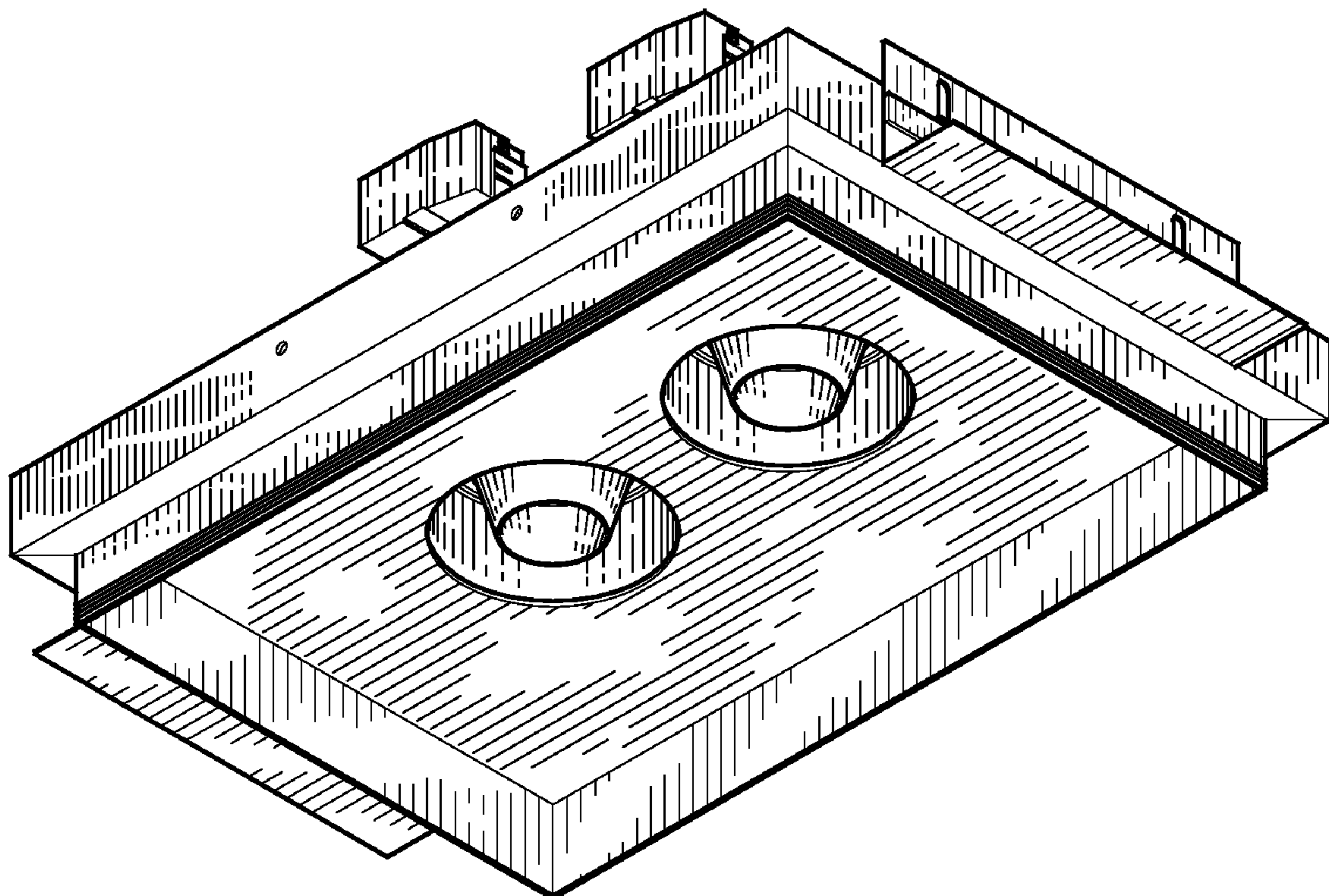
(57) **CLAIM**

The ornamental design for a luminaire, as shown.

DESCRIPTION

FIG. 1 is a perspective view showing my design;
FIG. 2 is a front elevational view thereof;
FIG. 3 is a rear elevational view thereof;
FIG. 4 is a right side elevational view thereof;
FIG. 5 is a left side elevational view thereof;
FIG. 6 is a top plan view thereof; and,
FIG. 7 is a bottom plan view thereof.

1 Claim, 4 Drawing Sheets



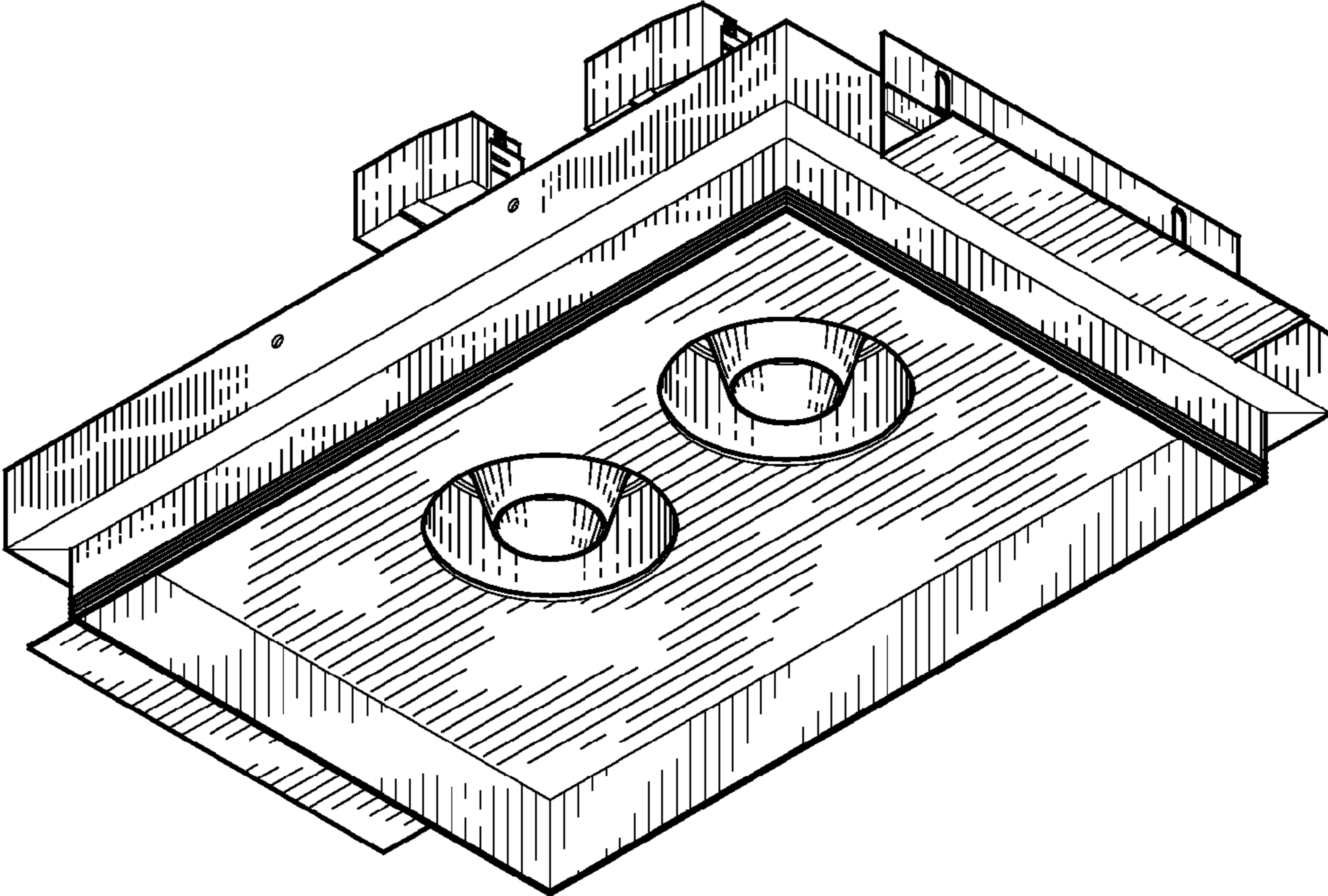


FIG. 1

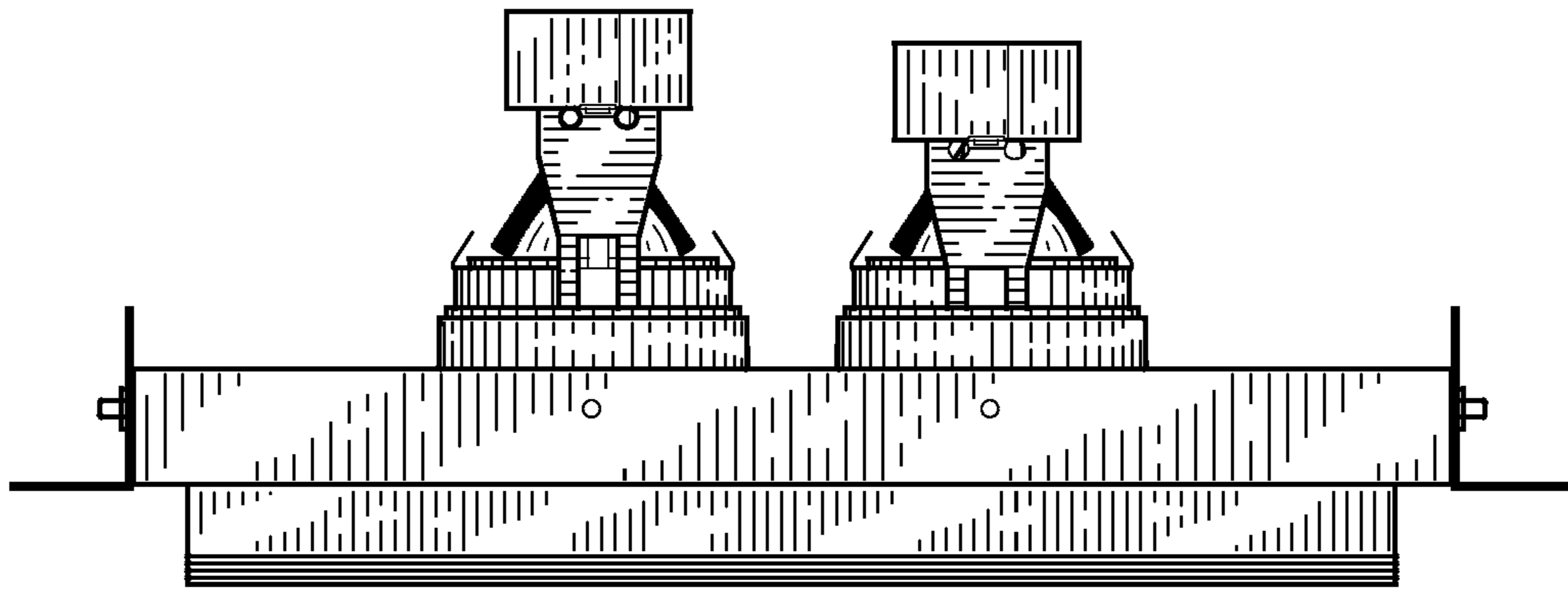


FIG. 2

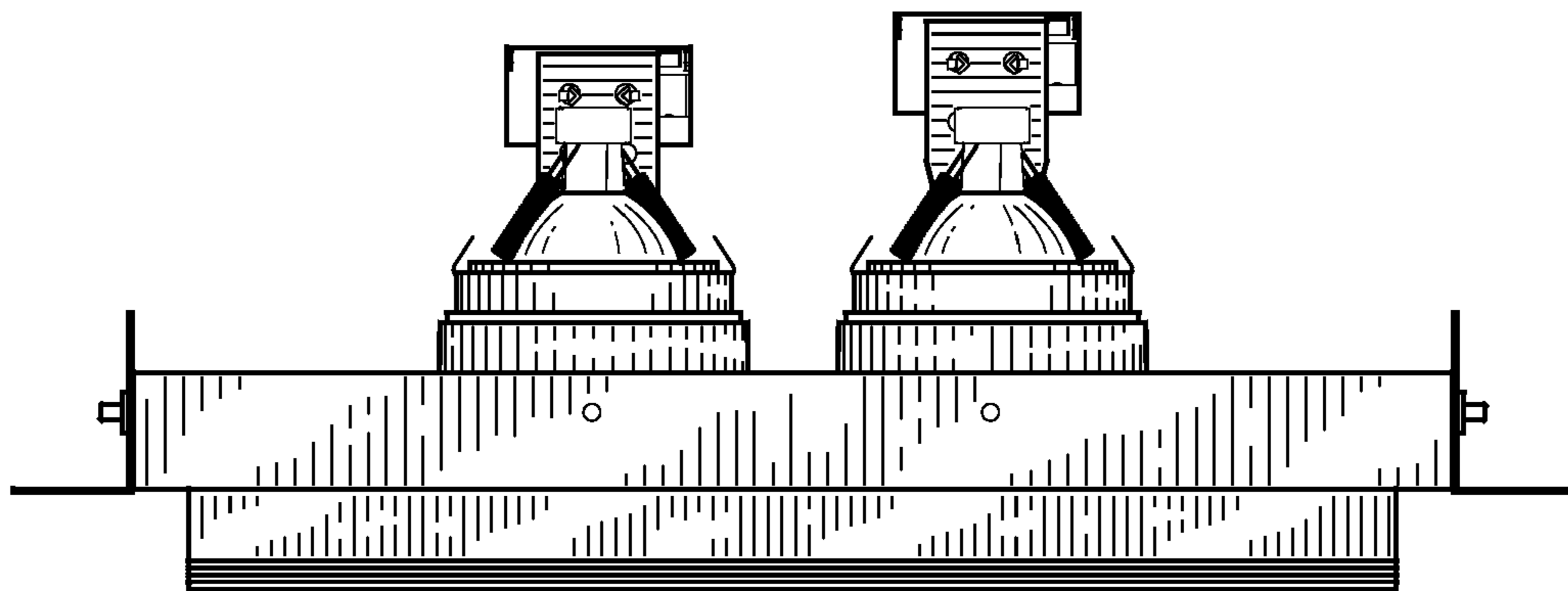


FIG. 3

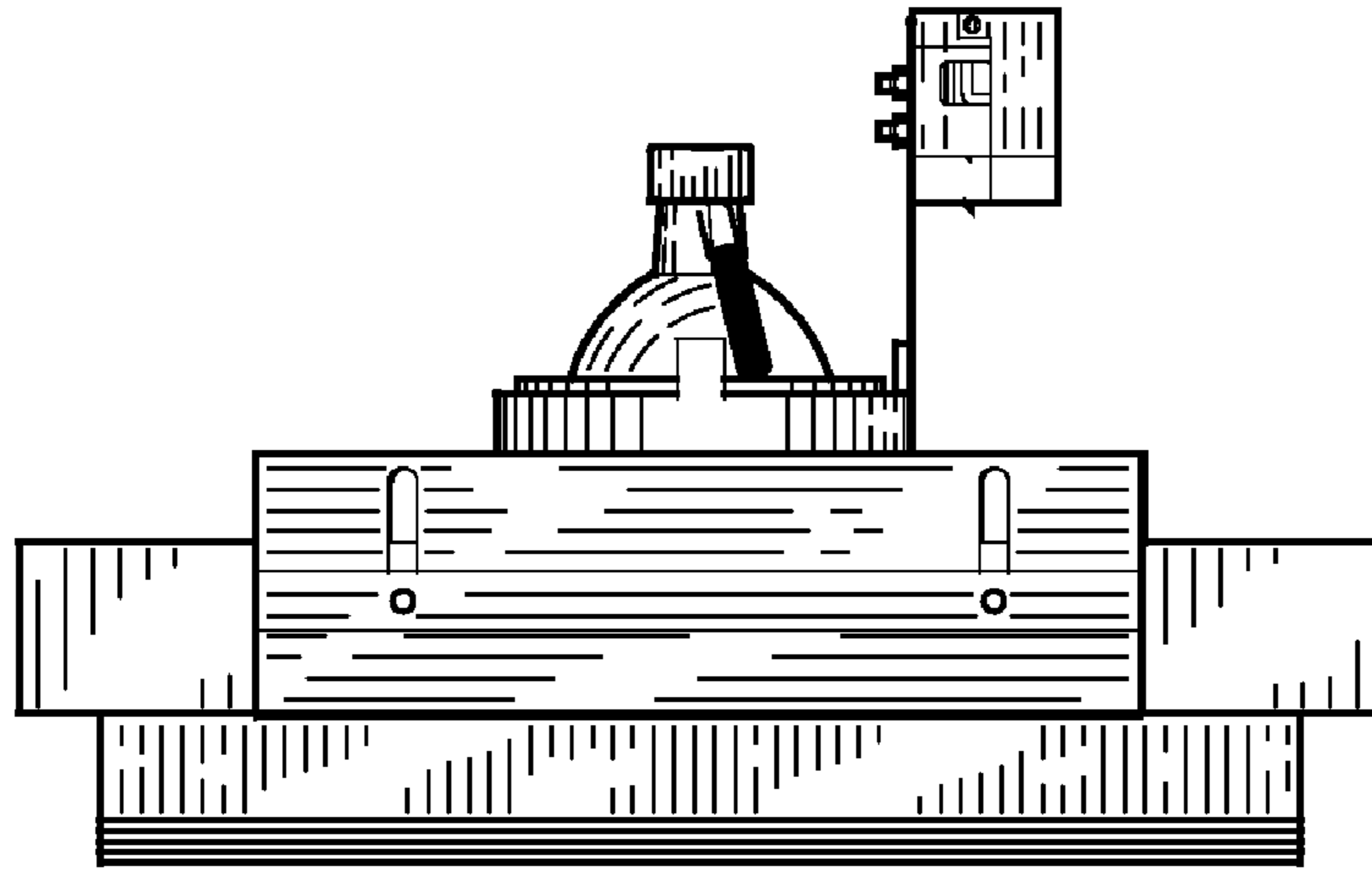


FIG. 4

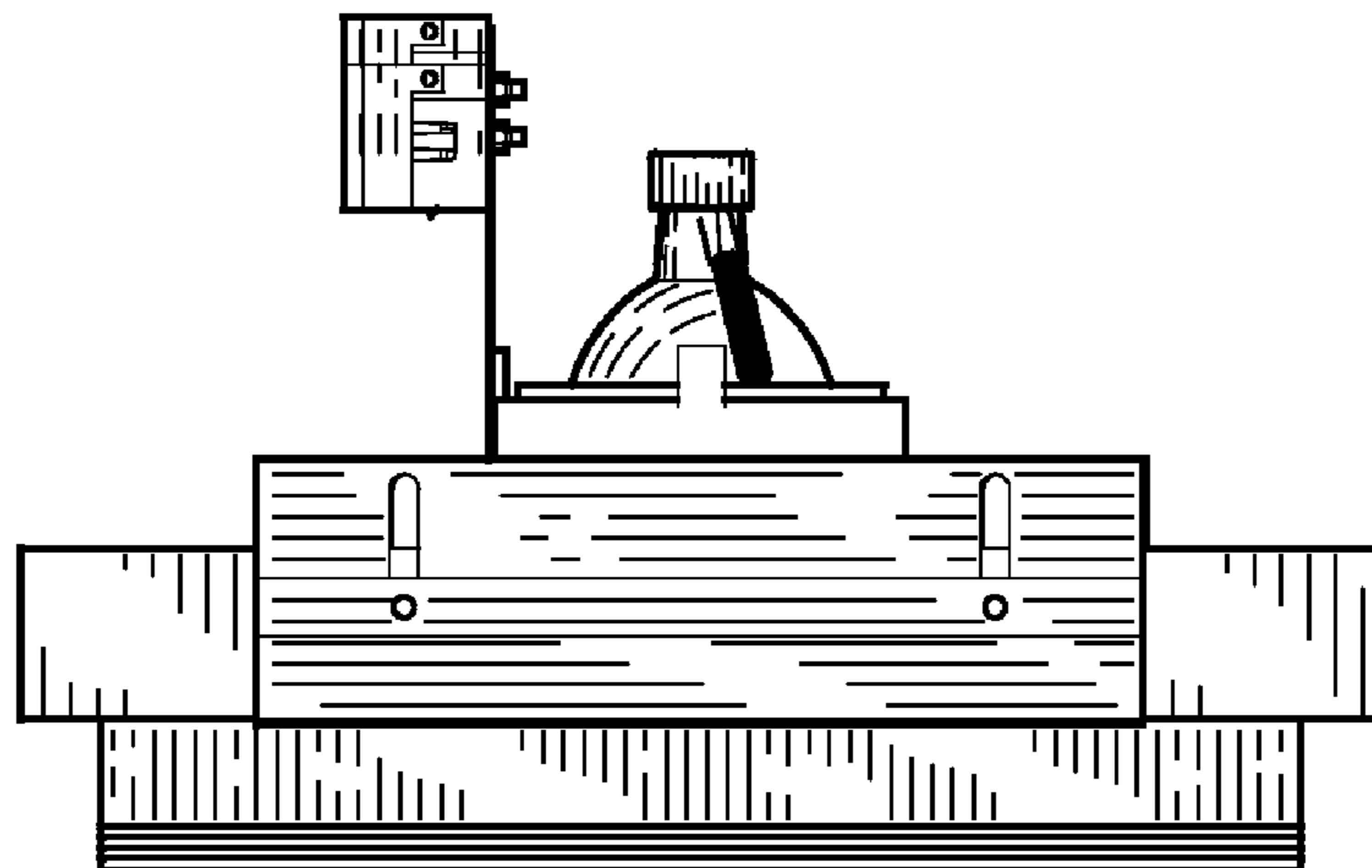


FIG. 5

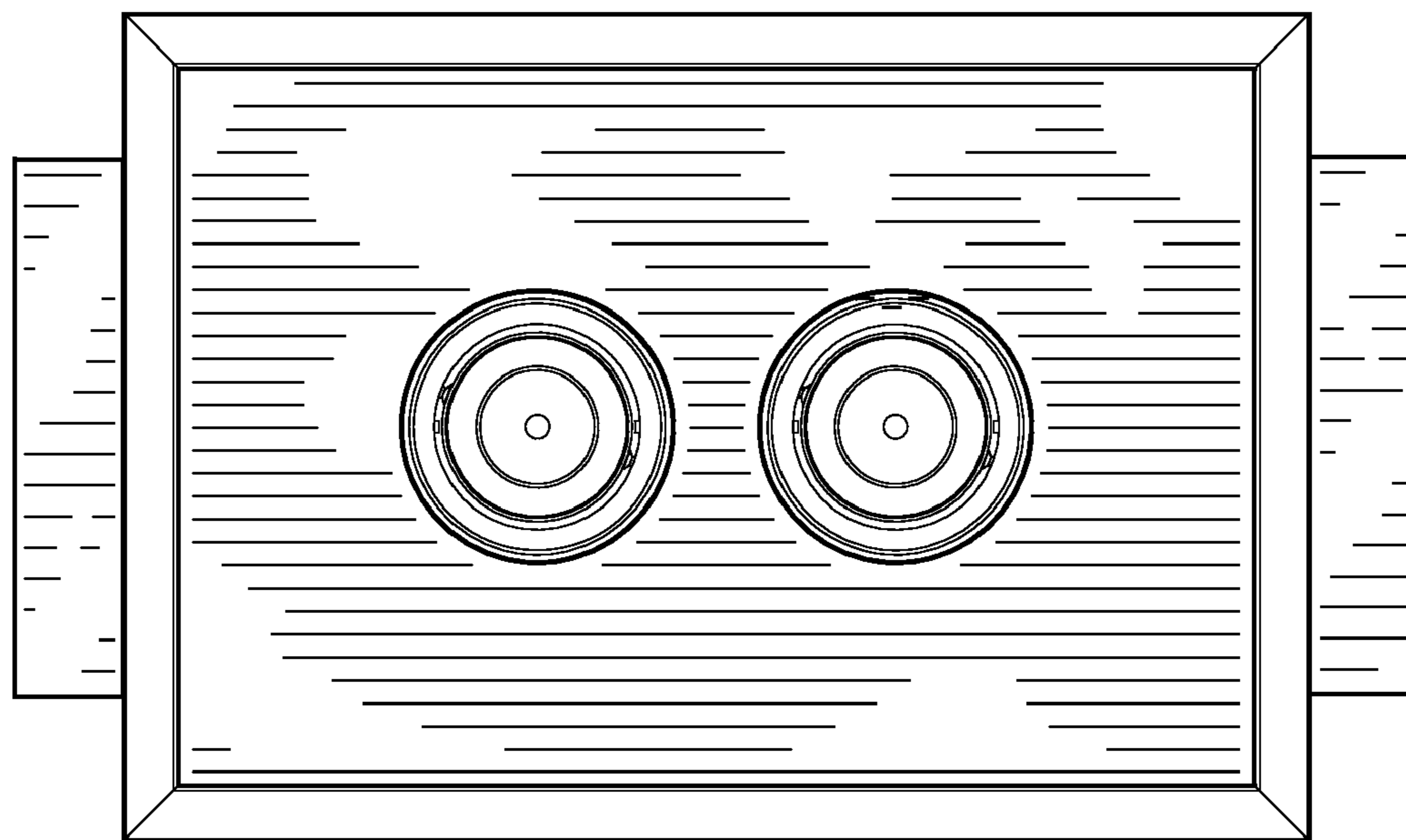


FIG. 6

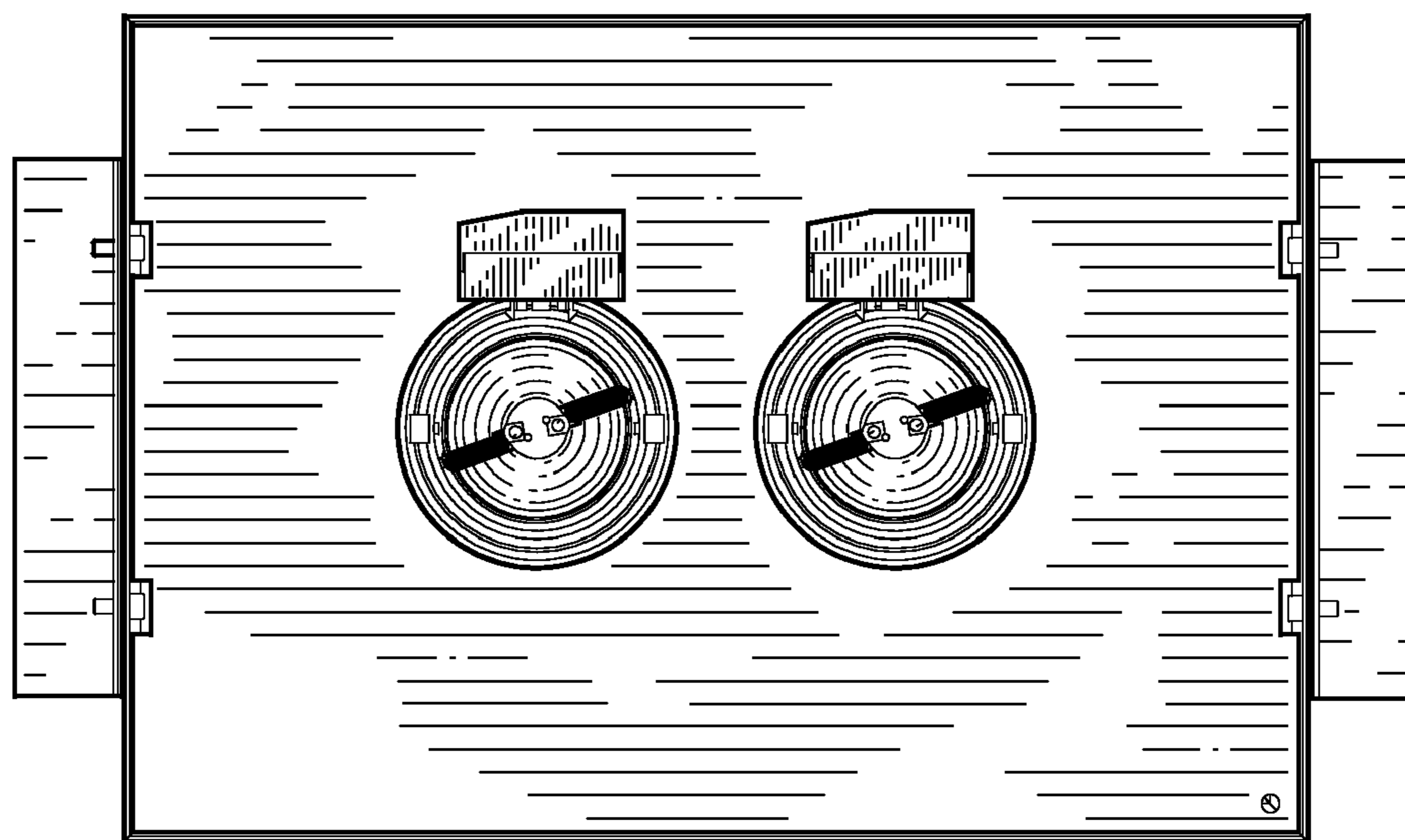


FIG. 7