



US00D627912S

(12) **United States Design Patent**
Mo

(10) **Patent No.:** **US D627,912 S**

(45) **Date of Patent:** **** Nov. 23, 2010**

(54) **LED LAMP**

(75) Inventor: **Ci-Jin Mo**, Shenzhen (CN)

(73) Assignee: **Foxconn Technology Co., Ltd.**,
Tu-Cheng, Taipei Hsien (TW)

(**) Term: **14 Years**

(21) Appl. No.: **29/351,536**

(22) Filed: **Dec. 7, 2009**

(51) **LOC (9) Cl.** **26-05**

(52) **U.S. Cl.** **D26/72; D26/119**

(58) **Field of Classification Search** D26/61-72,
D26/85, 92, 119; 362/145, 183, 249.02,
362/249.03, 249.04, 249.06, 249.16, 231,
362/431

See application file for complete search history.

(56) **References Cited**

U.S. PATENT DOCUMENTS

D75,869 S *	7/1928	Pfeiffer	D26/152
D389,260 S *	1/1998	Mier-Langner et al.	D26/63
D447,261 S *	8/2001	Tang	D26/63
D572,856 S *	7/2008	Kehl et al.	D26/61
D573,288 S *	7/2008	Xu et al.	D26/67
D573,289 S *	7/2008	Xu et al.	D26/67

D573,290 S *	7/2008	Shuai et al.	D26/67
D578,694 S *	10/2008	Zeng et al.	D26/70
7,458,706 B1 *	12/2008	Liu et al.	362/373
7,611,264 B1 *	11/2009	Chang et al.	362/249.02
7,682,049 B2 *	3/2010	Zheng et al.	362/294
2009/0147517 A1 *	6/2009	Li et al.	362/249.02
2009/0147518 A1 *	6/2009	Shuai et al.	362/249.02

* cited by examiner

Primary Examiner—Mitchell I Siegel

(74) *Attorney, Agent, or Firm*—Frank R. Niranjan

(57) **CLAIM**

The ornamental design for an LED lamp, as shown.

DESCRIPTION

FIG. 1 is a perspective view of an LED lamp showing my new design.

FIG. 2 is a front elevational view thereof.

FIG. 3 is a rear elevational view thereof.

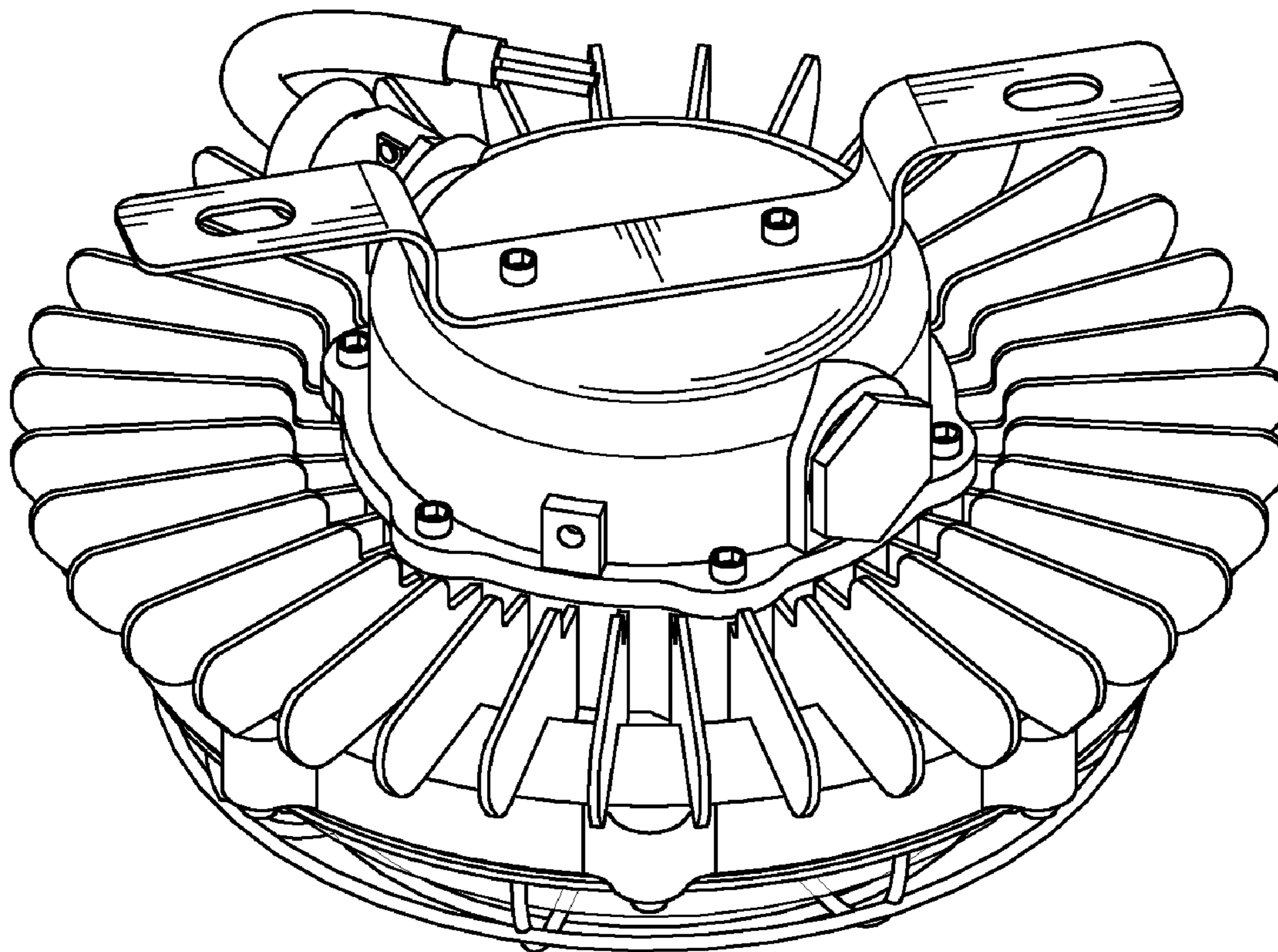
FIG. 4 is a left-side, elevational view thereof.

FIG. 5 is a right-side, elevational view thereof.

FIG. 6 is a top plan view thereof; and,

FIG. 7 is a bottom plan view thereof.

1 Claim, 7 Drawing Sheets



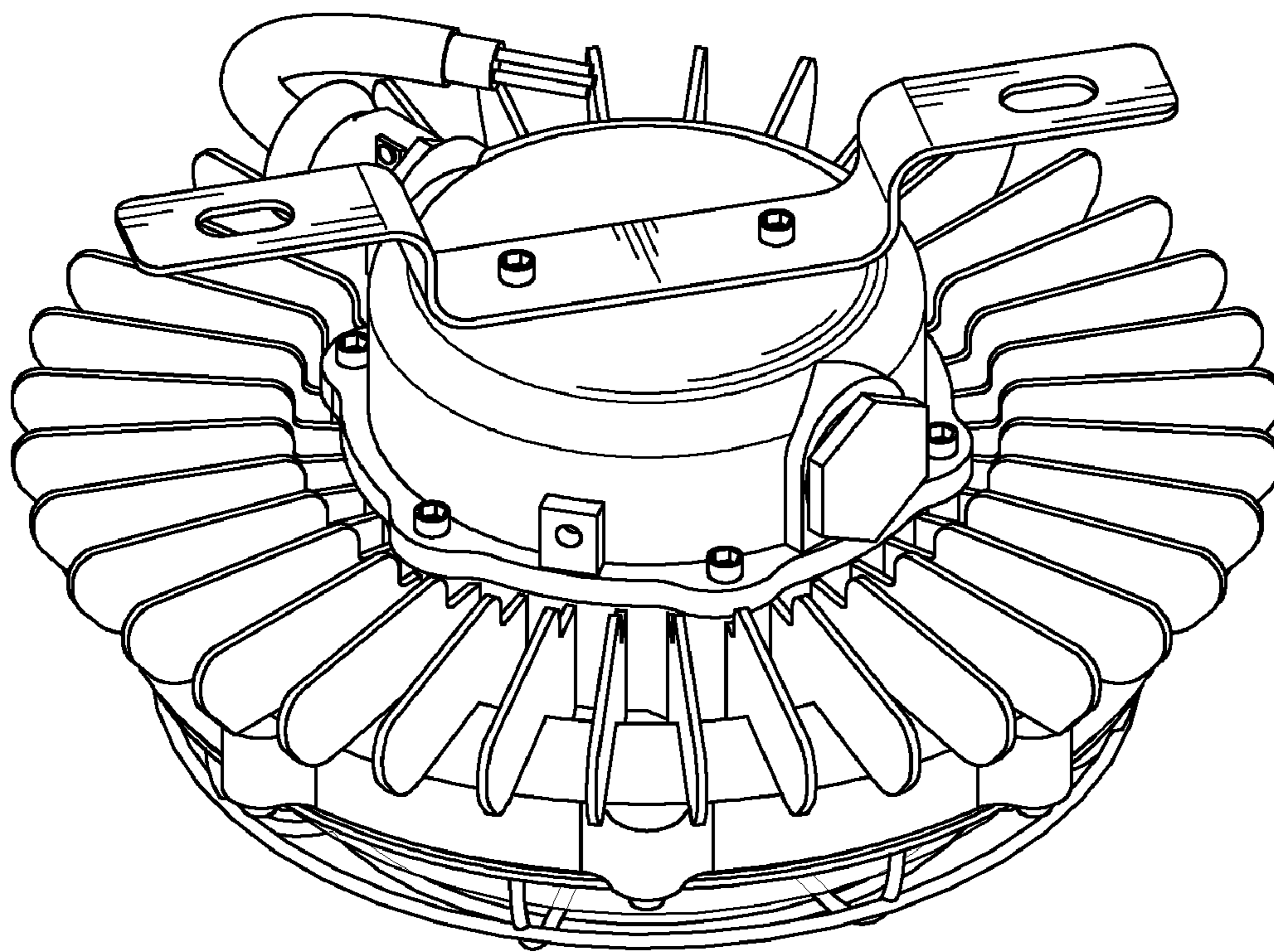


FIG. 1

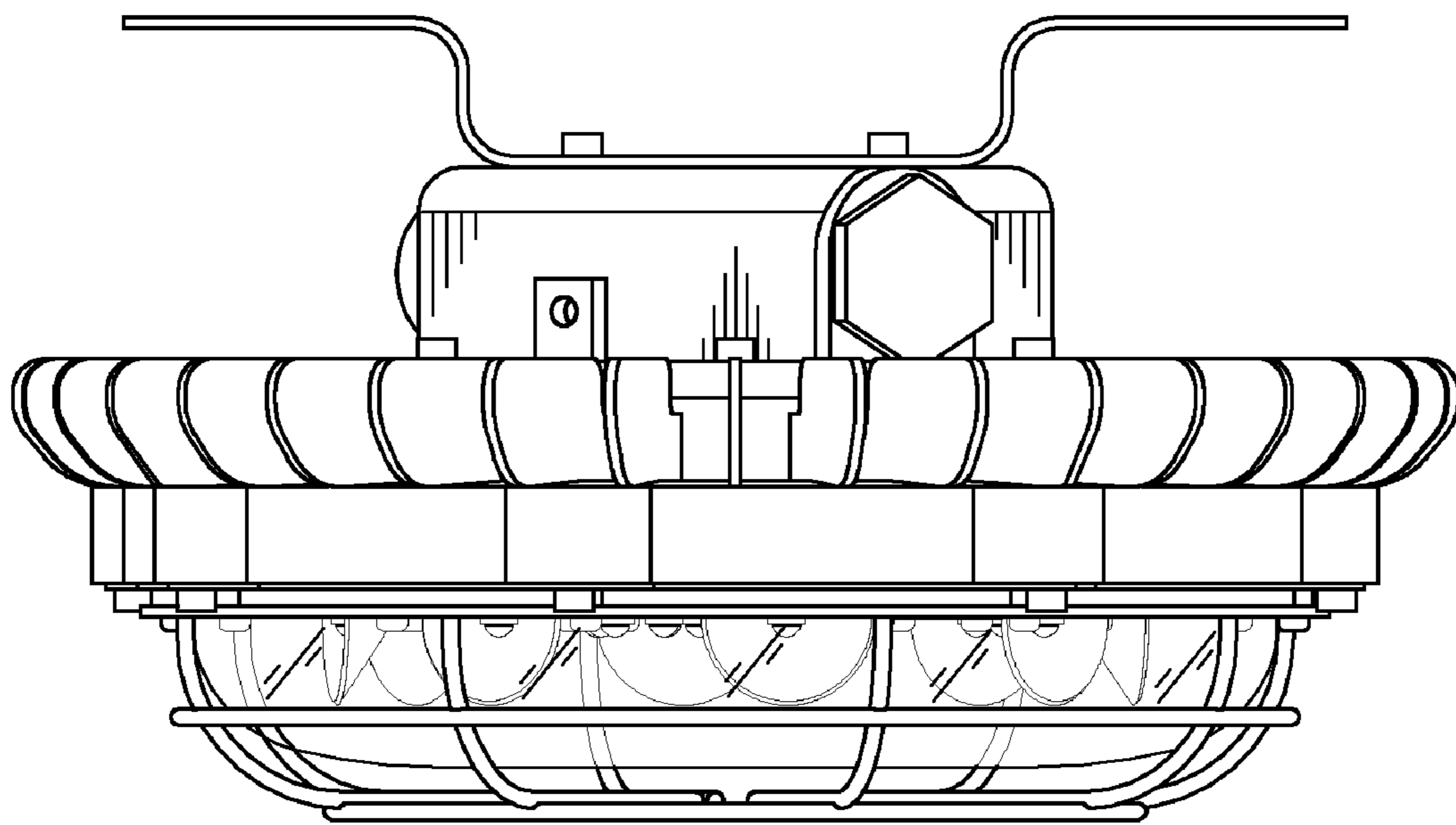


FIG. 2

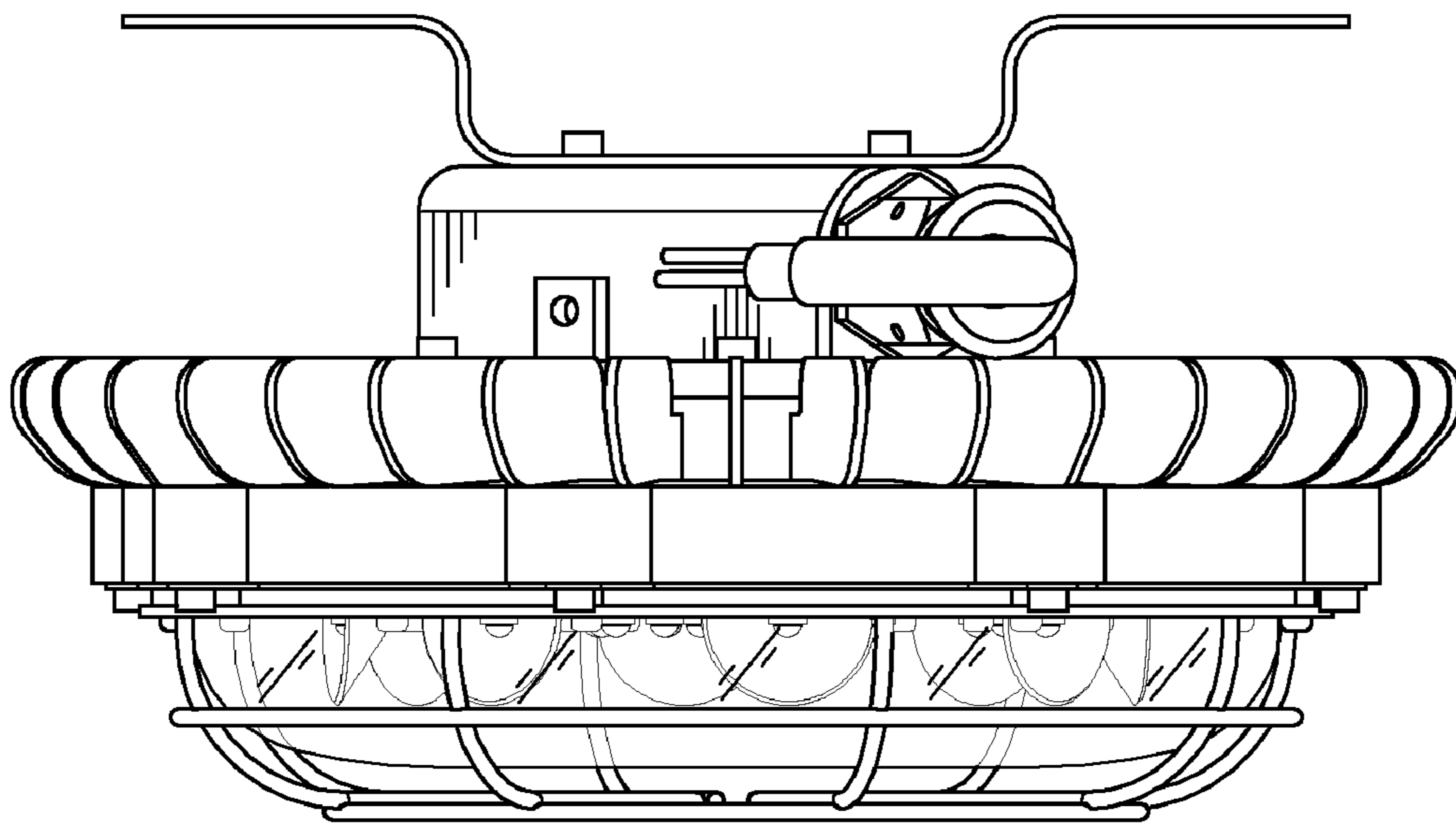


FIG. 3

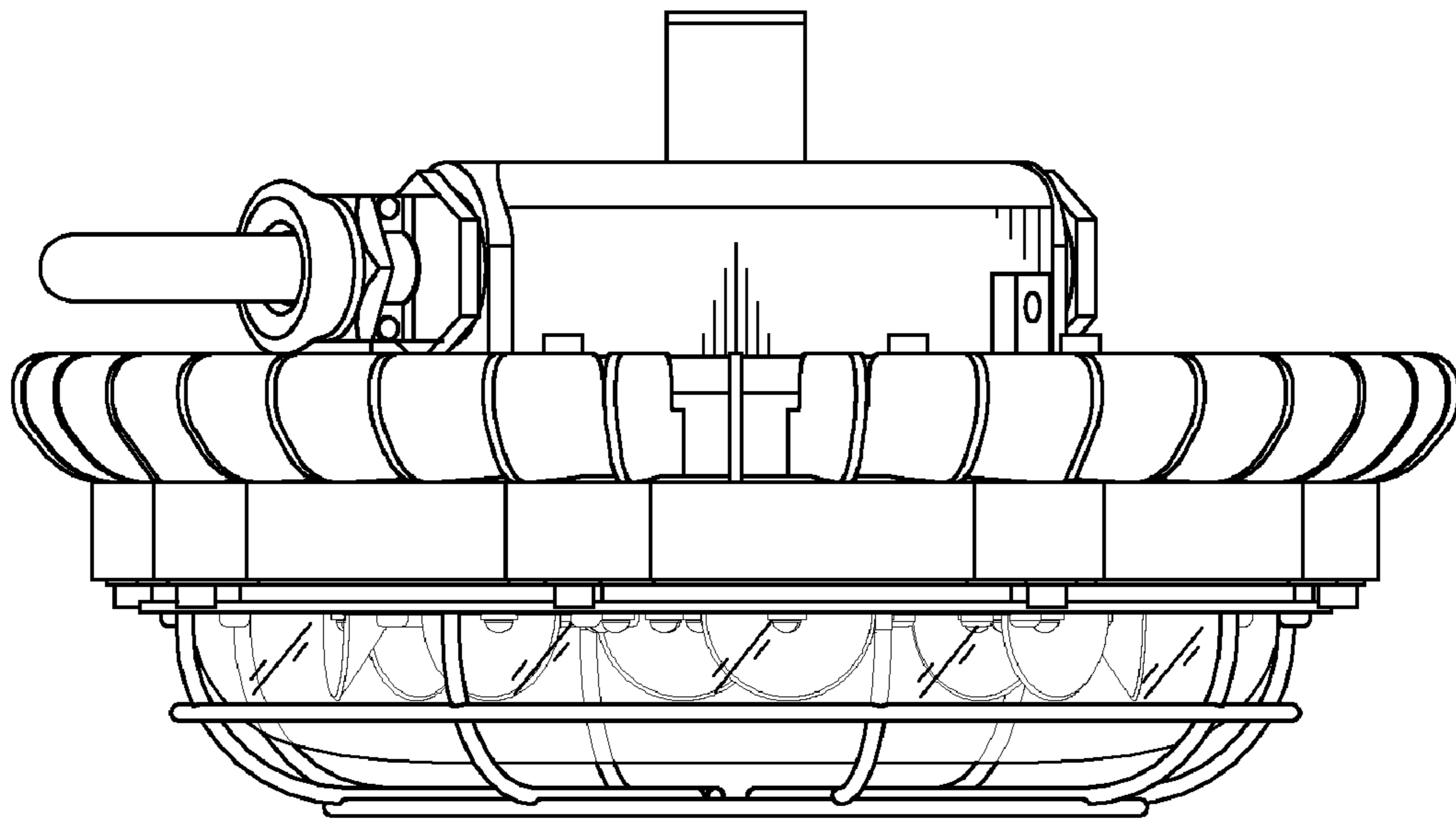


FIG. 4

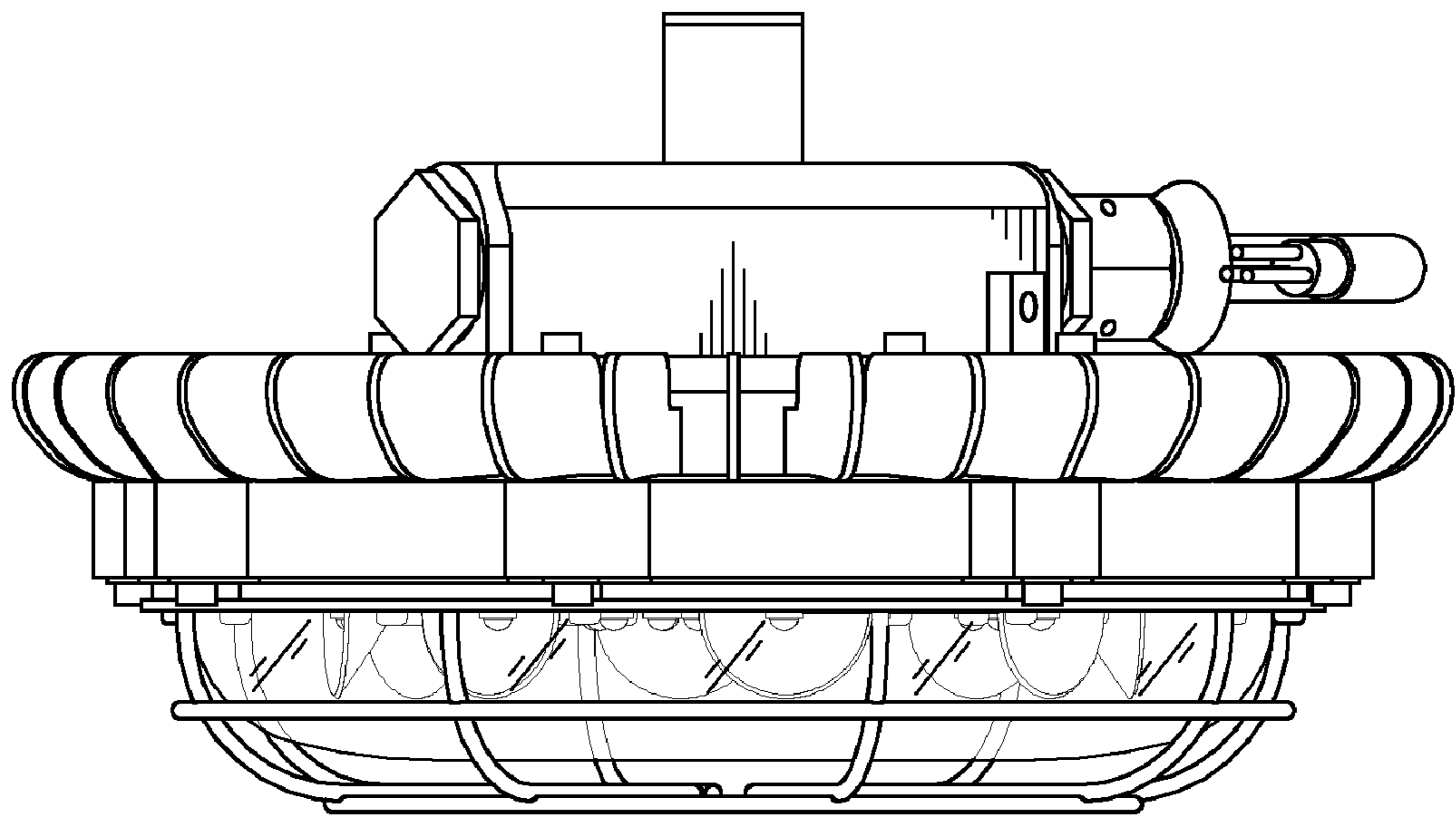


FIG. 5

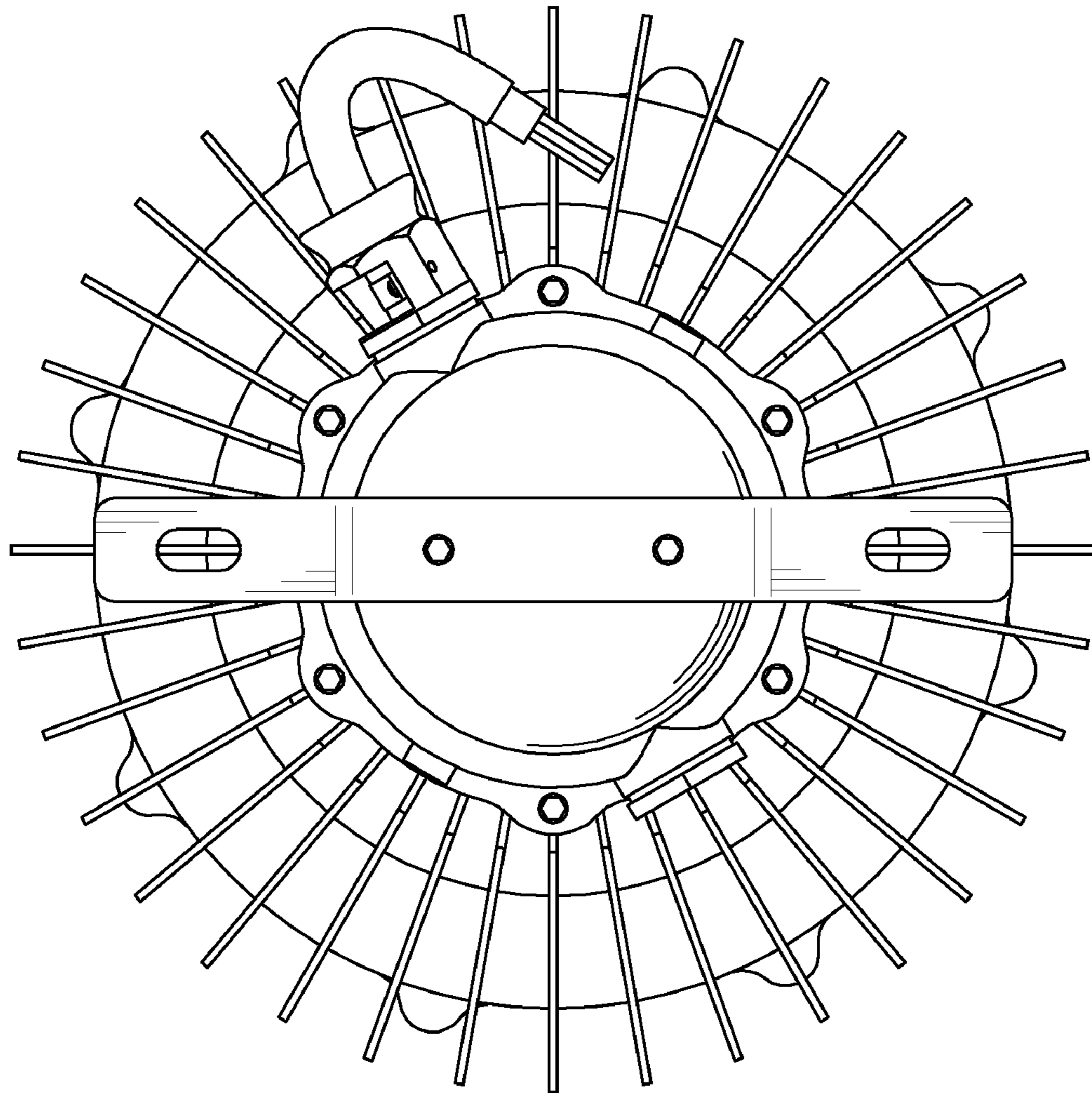


FIG. 6

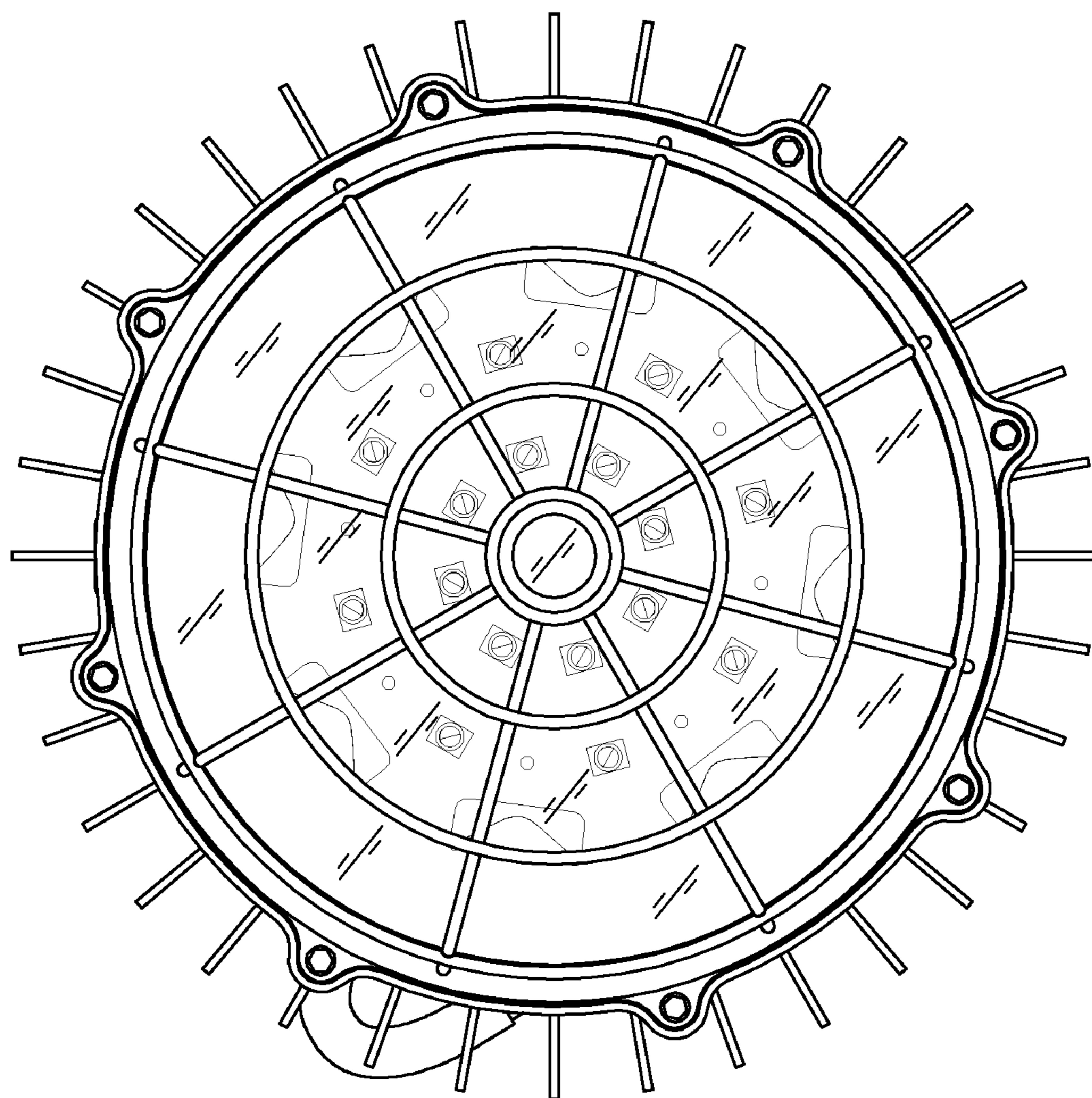


FIG. 7