



US00D627911S

(12) **United States Design Patent**  
**Mo et al.**

(10) **Patent No.:** **US D627,911 S**

(45) **Date of Patent:** **\*\* Nov. 23, 2010**

(54) **LED LAMP**

(75) Inventors: **Ci-Jin Mo**, Shenzhen (CN); **Da-Peng Zhang**, Shenzhen (CN)

(73) Assignee: **Foxconn Technology Co., Ltd.**,  
Tu-Cheng, Taipei Hsien (TW)

(\*\*) Term: **14 Years**

(21) Appl. No.: **29/351,535**

(22) Filed: **Dec. 7, 2009**

(51) **LOC (9) Cl.** ..... **26-05**

(52) **U.S. Cl.** ..... **D26/72; D26/119**

(58) **Field of Classification Search** ..... D26/61-72,  
D26/85, 92, 119; 362/145, 183, 249.02,  
362/249.03, 249.04, 249.06, 249.16, 231,  
362/431

See application file for complete search history.

(56) **References Cited**

**U.S. PATENT DOCUMENTS**

- D75,869 S \* 7/1928 Pfeiffer ..... D26/152
- D389,260 S \* 1/1998 Mier-Langner et al. .... D26/63
- D447,261 S \* 8/2001 Tang ..... D26/63
- D572,856 S \* 7/2008 Kehl et al. .... D26/61
- D573,288 S \* 7/2008 Xu et al. .... D26/67

- D573,289 S \* 7/2008 Xu et al. .... D26/67
- D573,290 S \* 7/2008 Shuai et al. .... D26/67
- D578,694 S \* 10/2008 Zeng et al. .... D26/70
- 7,458,706 B1 \* 12/2008 Liu et al. .... 362/373
- 7,611,264 B1 \* 11/2009 Chang et al. .... 362/249.02
- 7,682,049 B2 \* 3/2010 Zheng et al. .... 362/294
- 2009/0147517 A1 \* 6/2009 Li et al. .... 362/249.02
- 2009/0147518 A1 \* 6/2009 Shuai et al. .... 362/249.02

\* cited by examiner

*Primary Examiner*—Mitchell I Siegel

(74) *Attorney, Agent, or Firm*—Frank R. Niranjan

(57) **CLAIM**

The ornamental design for an LED lamp, as shown.

**DESCRIPTION**

FIG. 1 is a perspective view of an LED lamp showing our new design.

FIG. 2 is a front elevational view thereof.

FIG. 3 is a rear elevational view thereof.

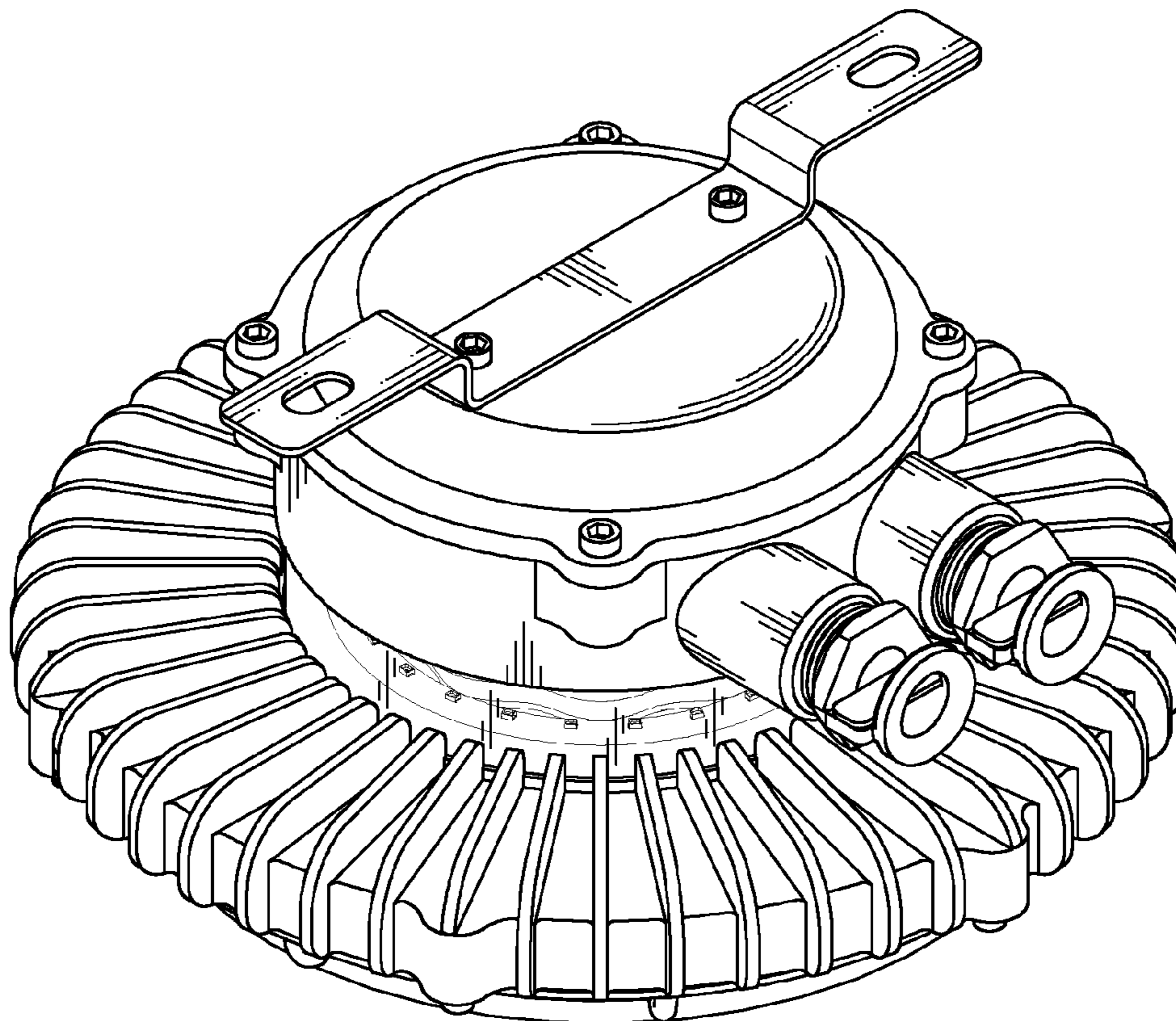
FIG. 4 is a left-side, elevational view thereof.

FIG. 5 is a right-side, elevational view thereof.

FIG. 6 is a top plan view thereof; and,

FIG. 7 is a bottom plan view thereof.

**1 Claim, 7 Drawing Sheets**



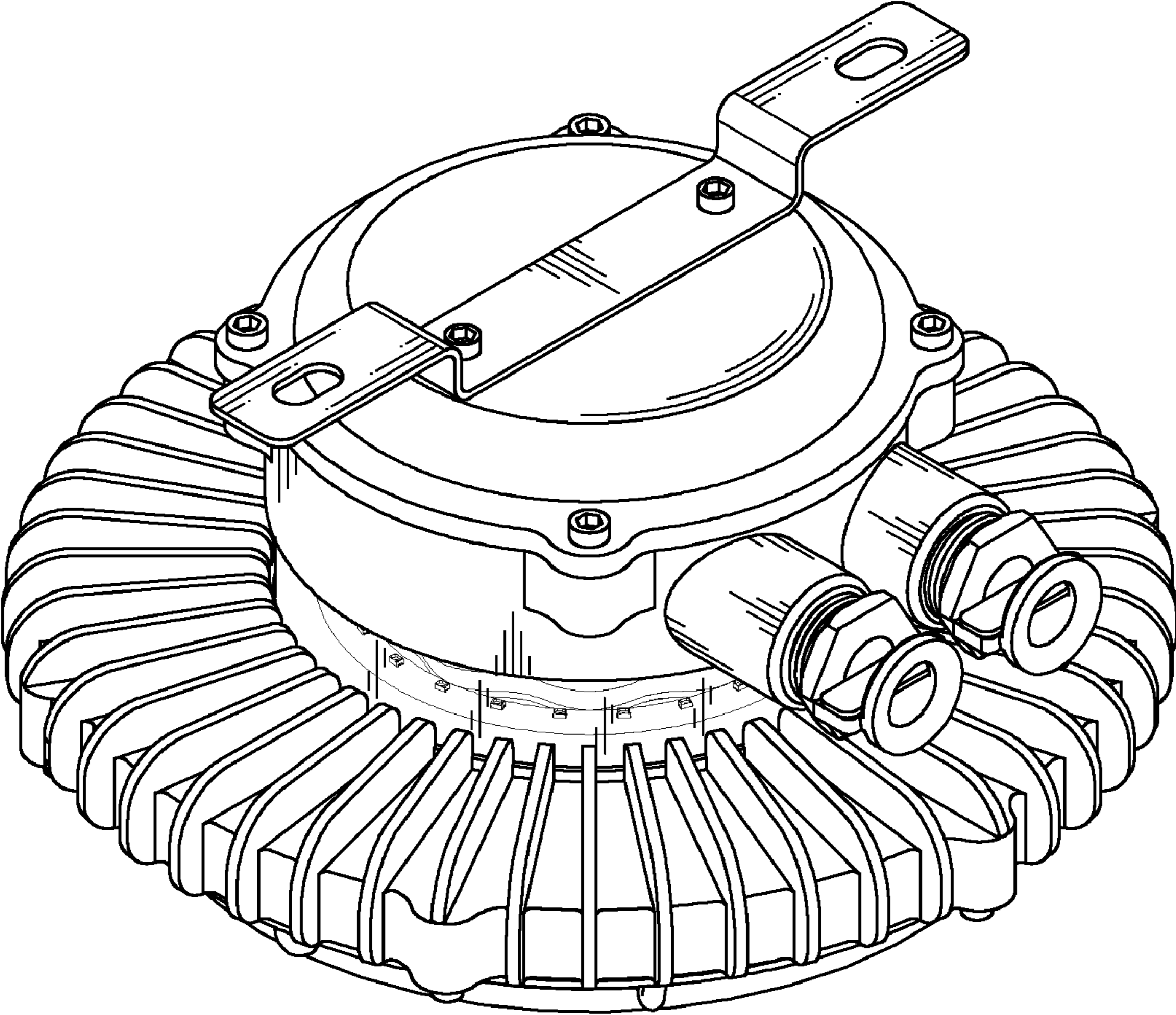


FIG. 1

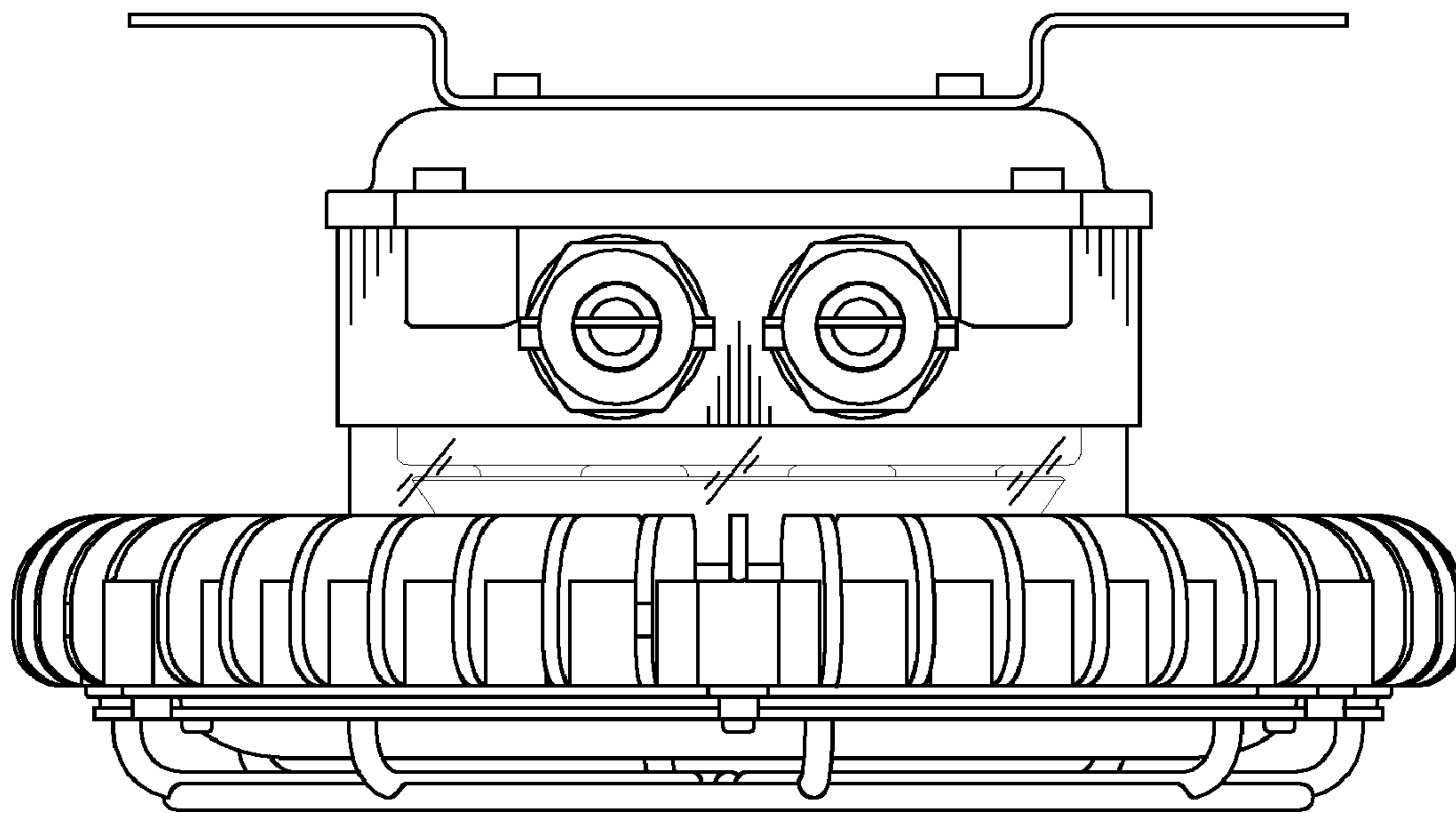


FIG. 2

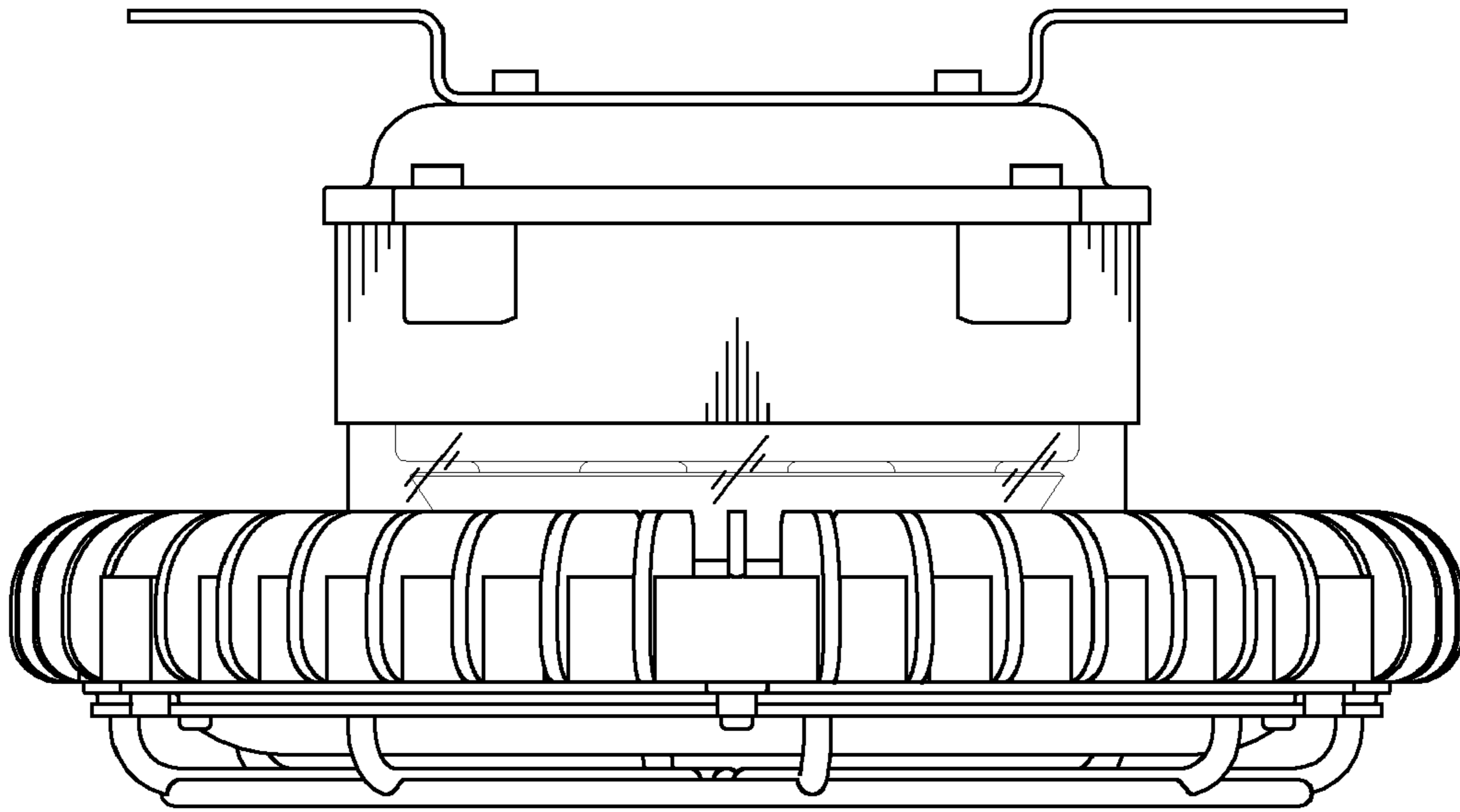


FIG. 3

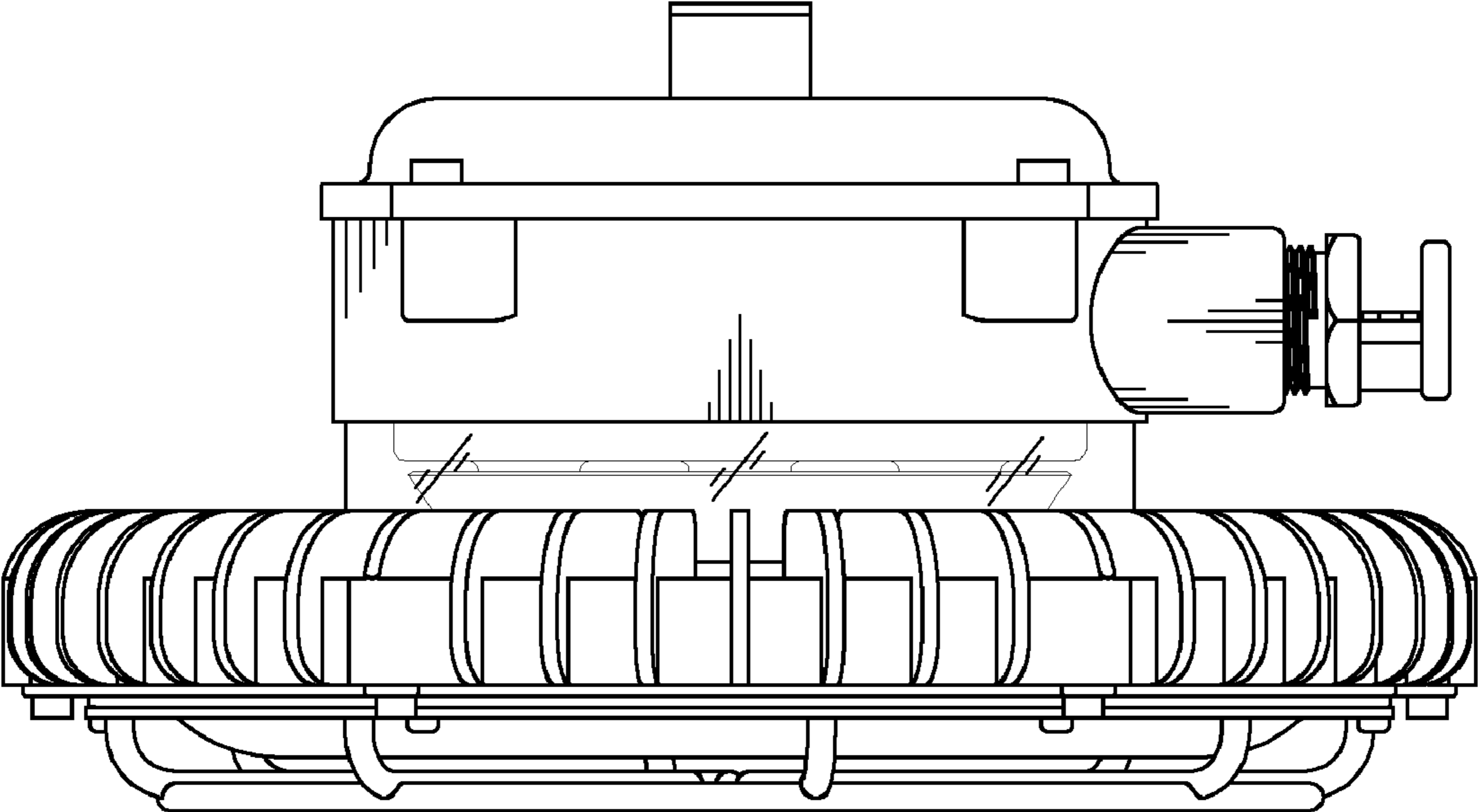


FIG. 4

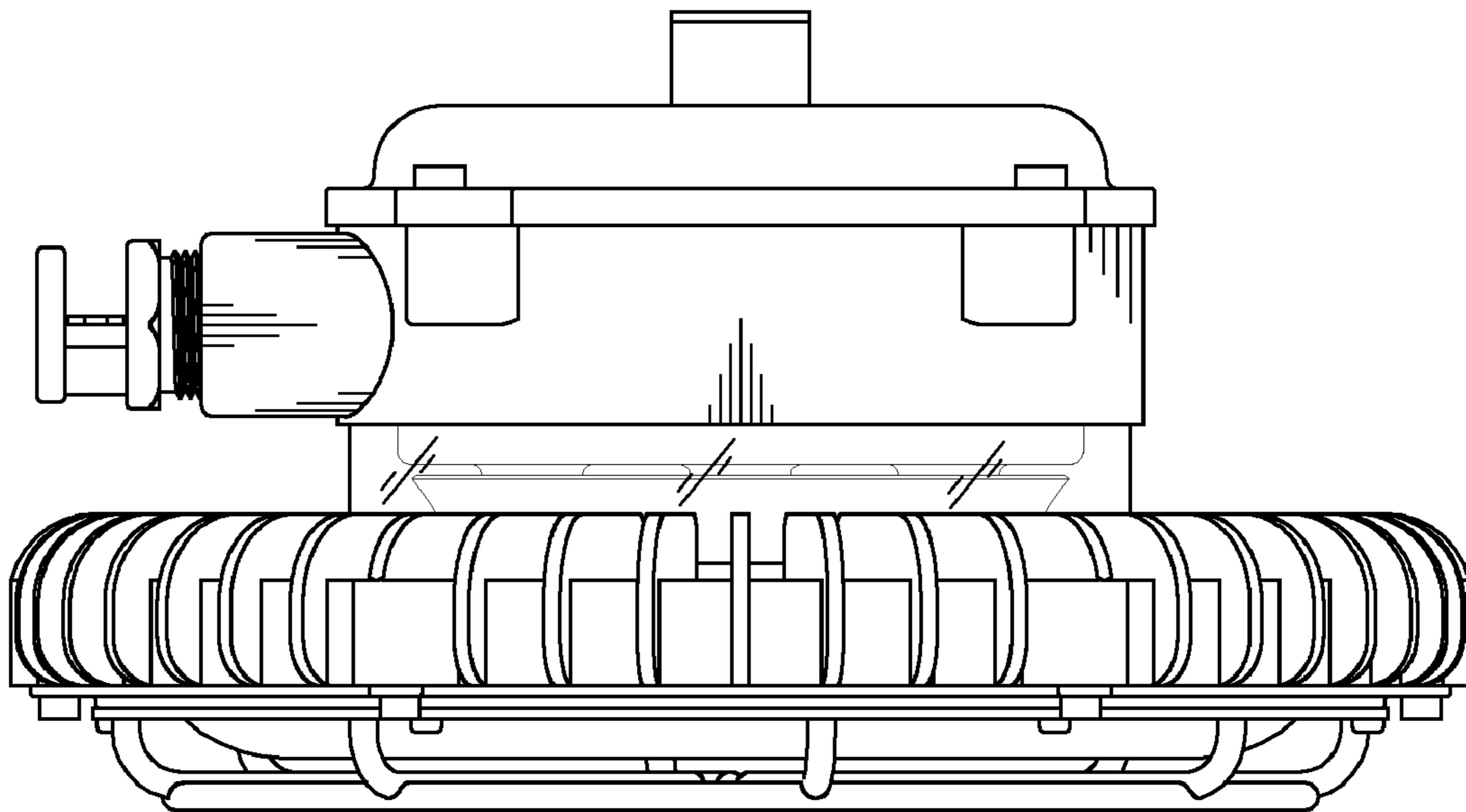


FIG. 5

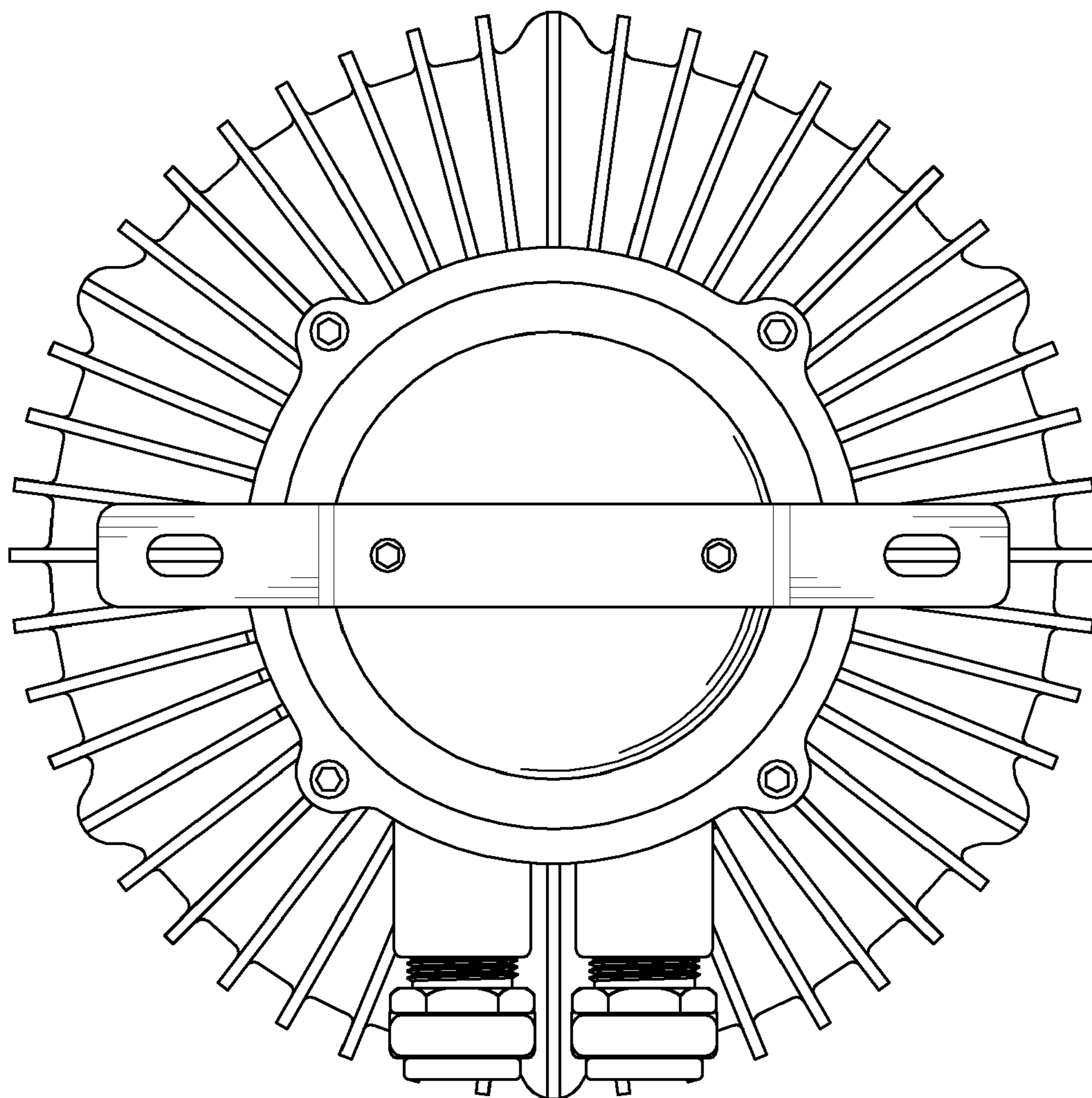


FIG. 6

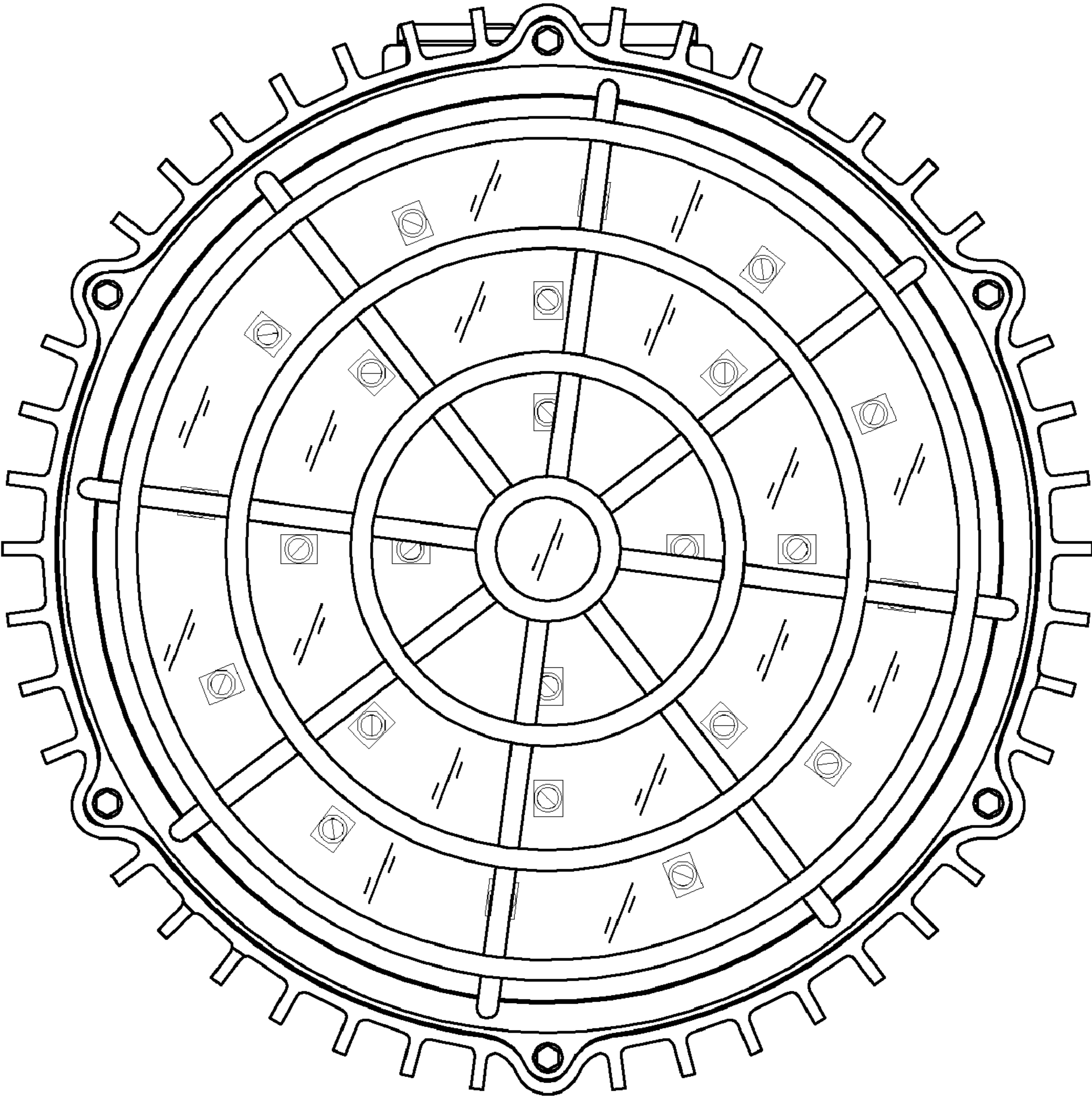


FIG. 7