



US00D627909S

(12) **United States Design Patent**
Hu et al.

(10) **Patent No.:** **US D627,909 S**
(45) **Date of Patent:** **** Nov. 23, 2010**

(54) **ILLUMINATING APPARATUS**

(75) Inventors: **Chi-Chung Hu**, Miao-Li Hsien (TW);
Zheng-Jay Huang, Miao-Li Hsien
(TW); **Yu-Pin Liu**, Miao-Li Hsien (TW)

(73) Assignee: **Foxsemicon Integrated Technology,
Inc.**, Chu-Nan, Miao-Li Hsien (TW)

(**) Term: **14 Years**

(21) Appl. No.: **29/346,993**

(22) Filed: **Nov. 10, 2009**

(30) **Foreign Application Priority Data**

Aug. 17, 2009 (CN) 200930311942

(51) **LOC (9) Cl.** **26-05**

(52) **U.S. Cl.** **D26/63**

(58) **Field of Classification Search** D26/61-66,
D26/1, 71, 68, 80; 362/218, 294, 373, 800,
362/249.02, 249.11, 340, 815.45, 704, 707,
362/719, 720, 725, 235, 240, 473, 540
See application file for complete search history.

(56) **References Cited**

U.S. PATENT DOCUMENTS

D195,310 S * 5/1963 Zagel D26/70
D598,598 S * 8/2009 Zhou et al. D26/68

D609,837 S * 2/2010 Zheng D26/70
7,677,761 B2 * 3/2010 Chiang 362/240
D616,590 S * 5/2010 Huang et al. D26/63
2009/0262533 A1* 10/2009 Liu et al. 362/249.02
2009/0290347 A1* 11/2009 Lodhie 362/249.02

* cited by examiner

Primary Examiner—Mitchell I Siegel

(74) *Attorney, Agent, or Firm*—Raymond J. Chew

(57) **CLAIM**

The ornamental design for an illumination apparatus, as shown and described.

DESCRIPTION

FIG. 1 is a perspective view of an illuminating apparatus.

FIG. 2 is a front elevational view thereof.

FIG. 3 is a rear elevational view thereof.

FIG. 4 is a left-side, elevational view thereof.

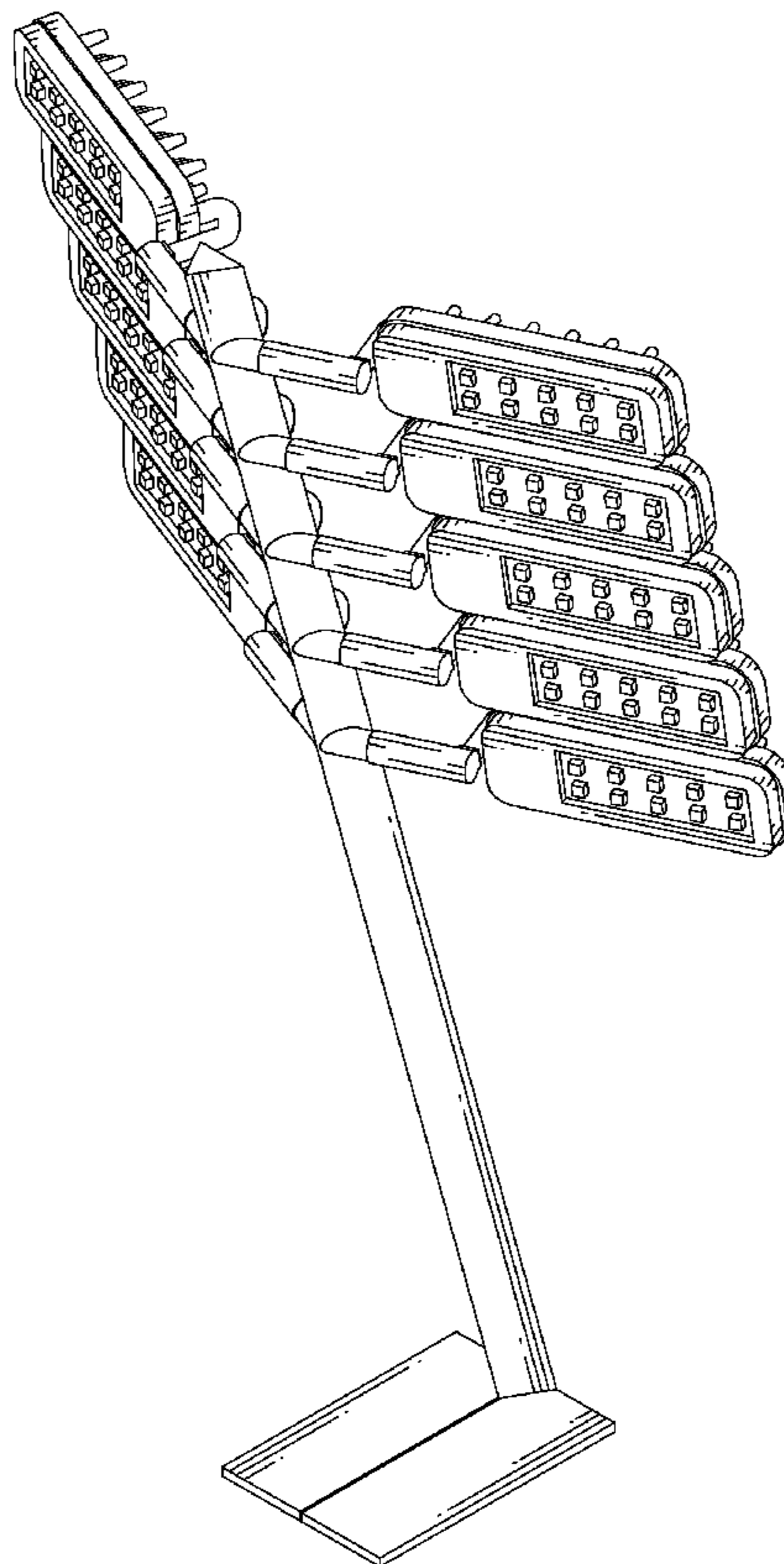
FIG. 5 is a right-side, elevational view thereof.

FIG. 6 is a top plan view thereof.

FIG. 7 is a bottom plan view thereof; and,

FIG. 8 is a perspective view of the illuminating apparatus in an alternate position.

1 Claim, 8 Drawing Sheets



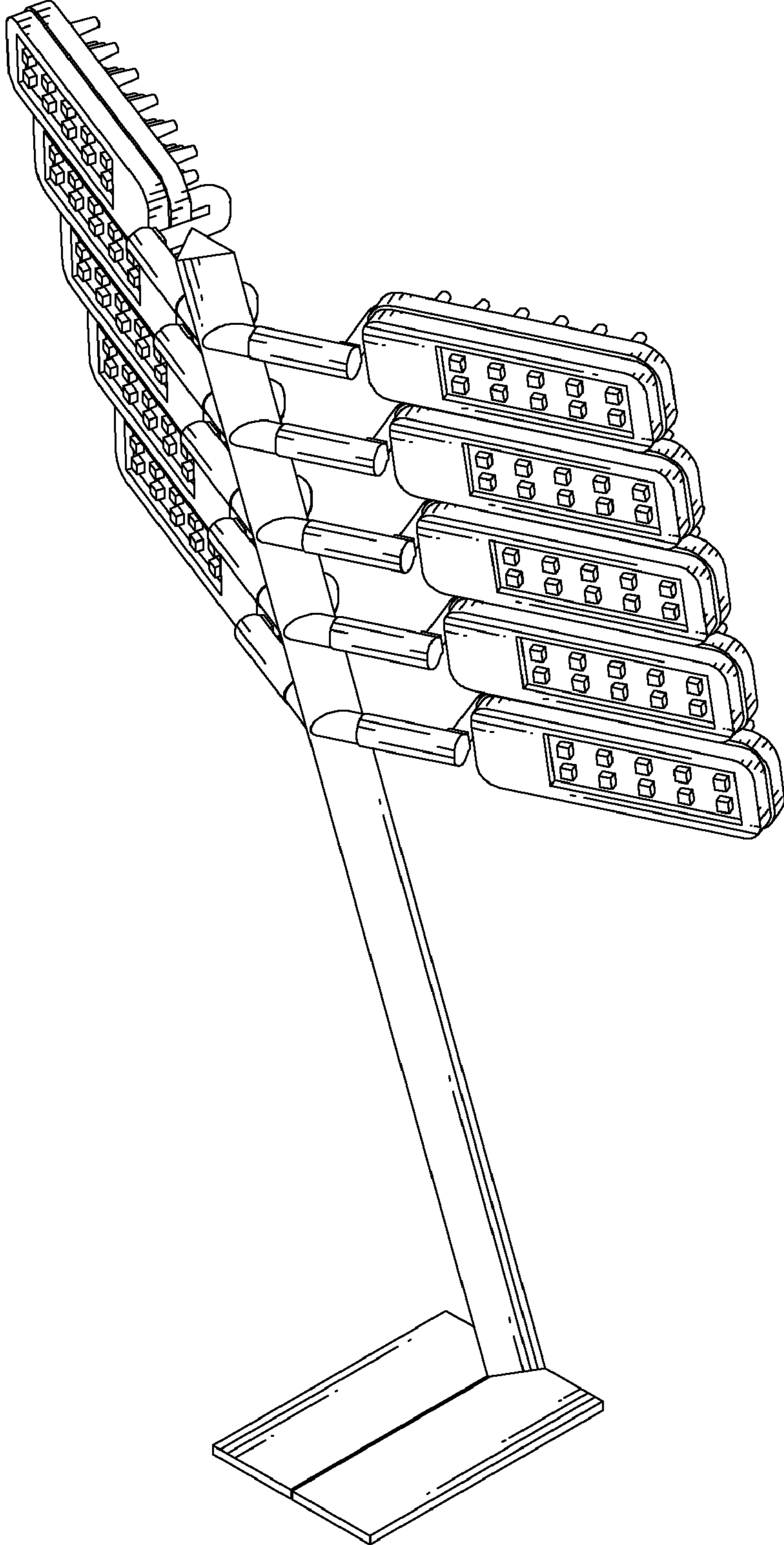


FIG. 1

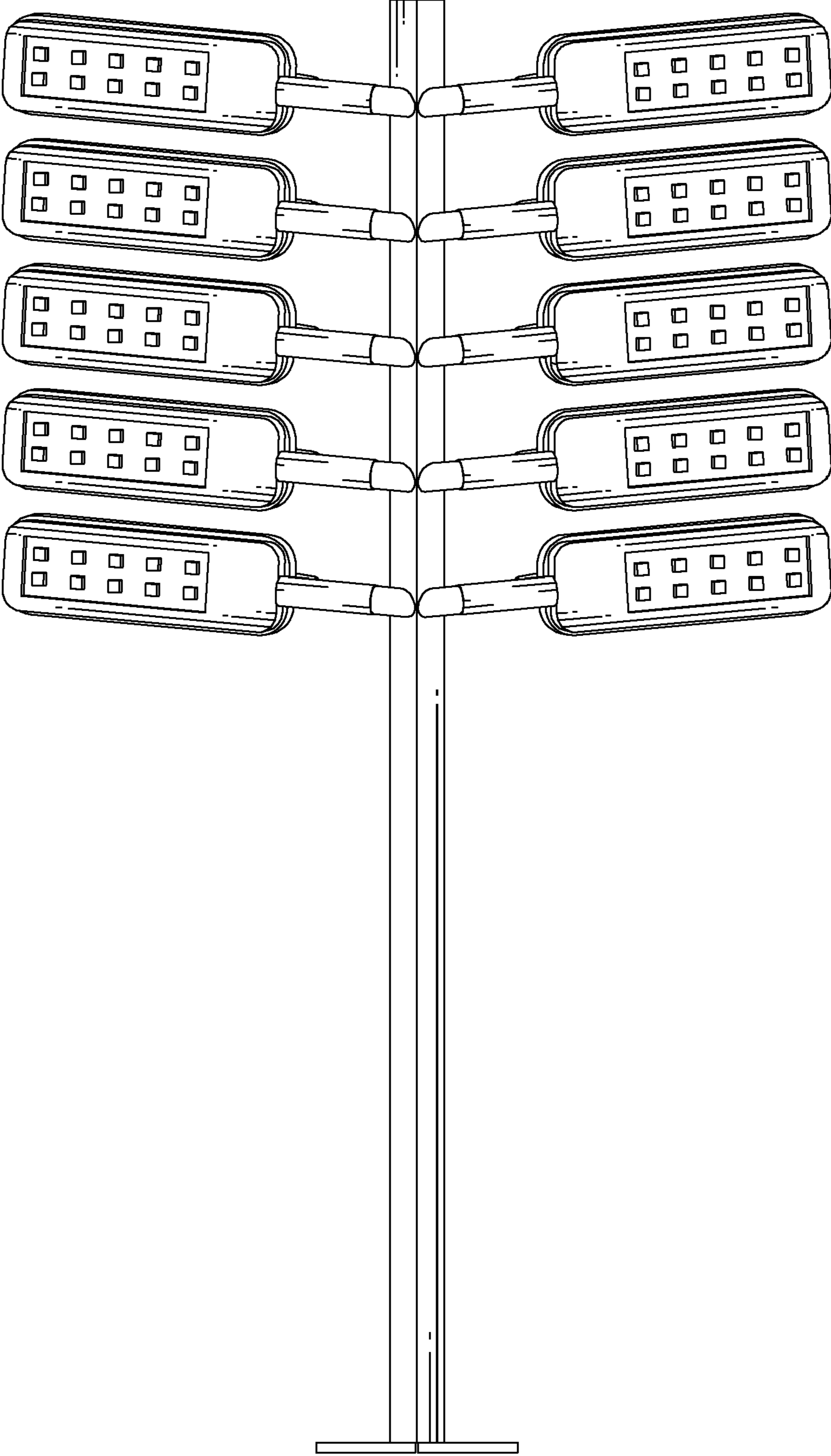


FIG. 2

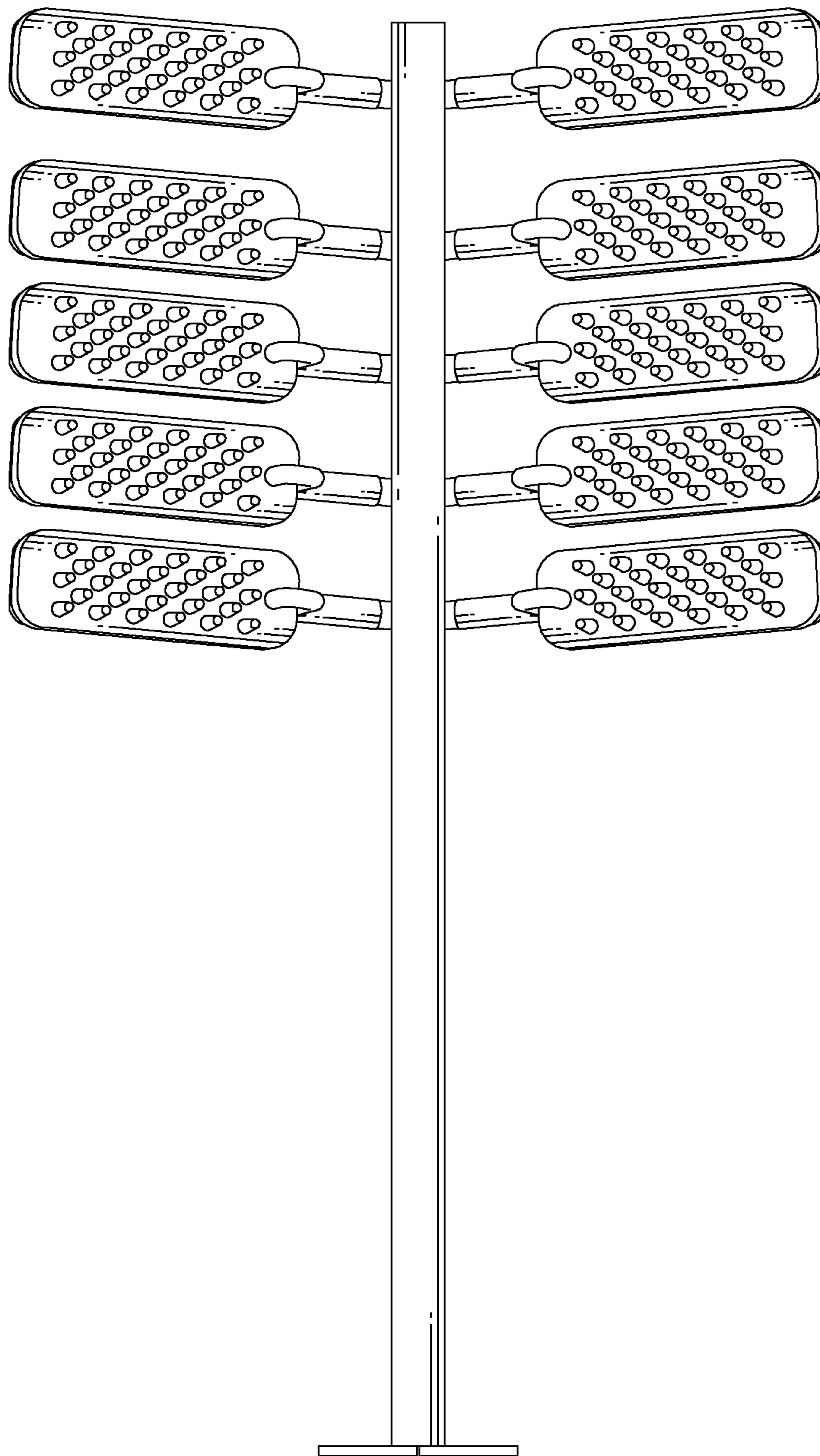


FIG. 3

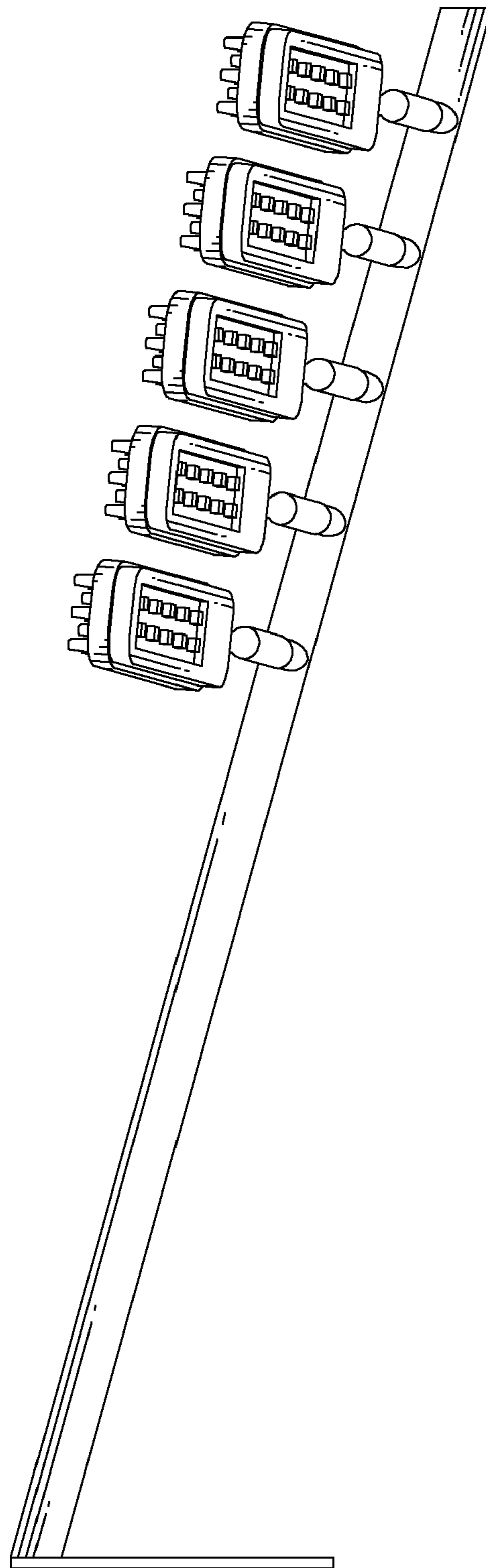


FIG. 4

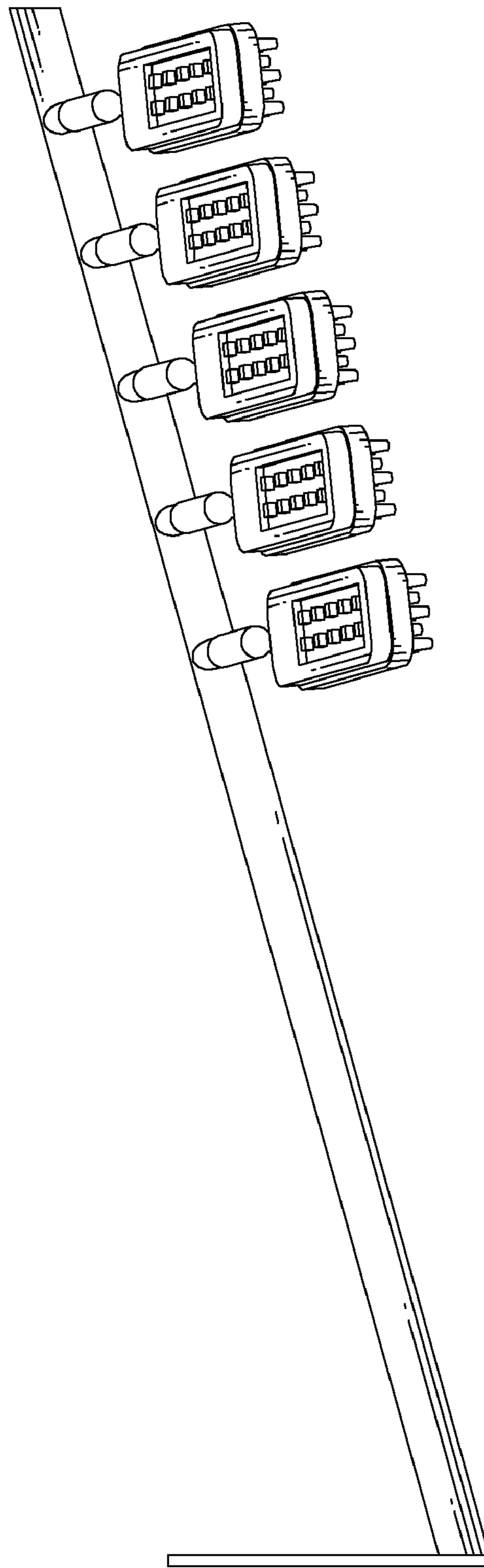


FIG. 5

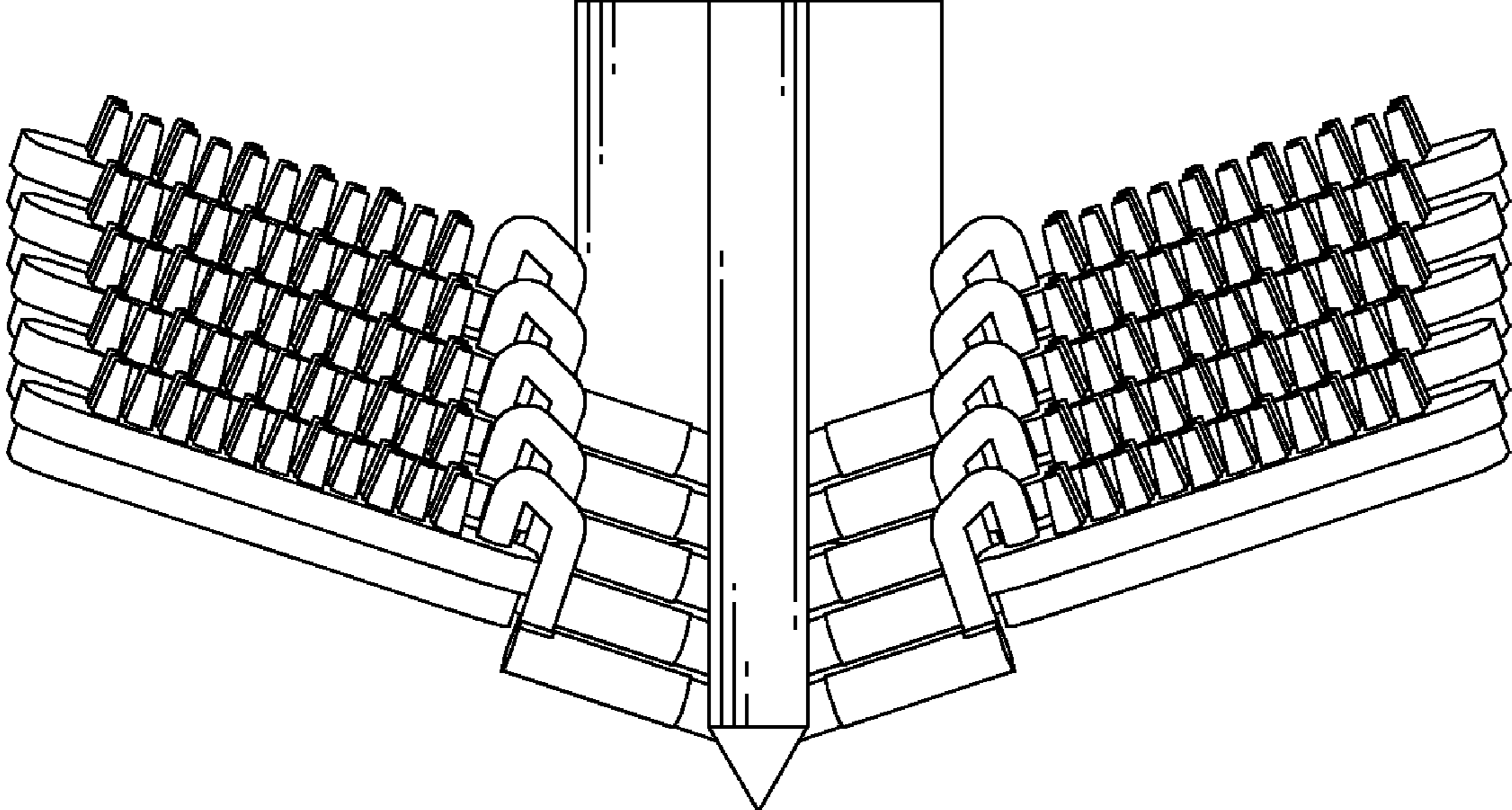


FIG. 6

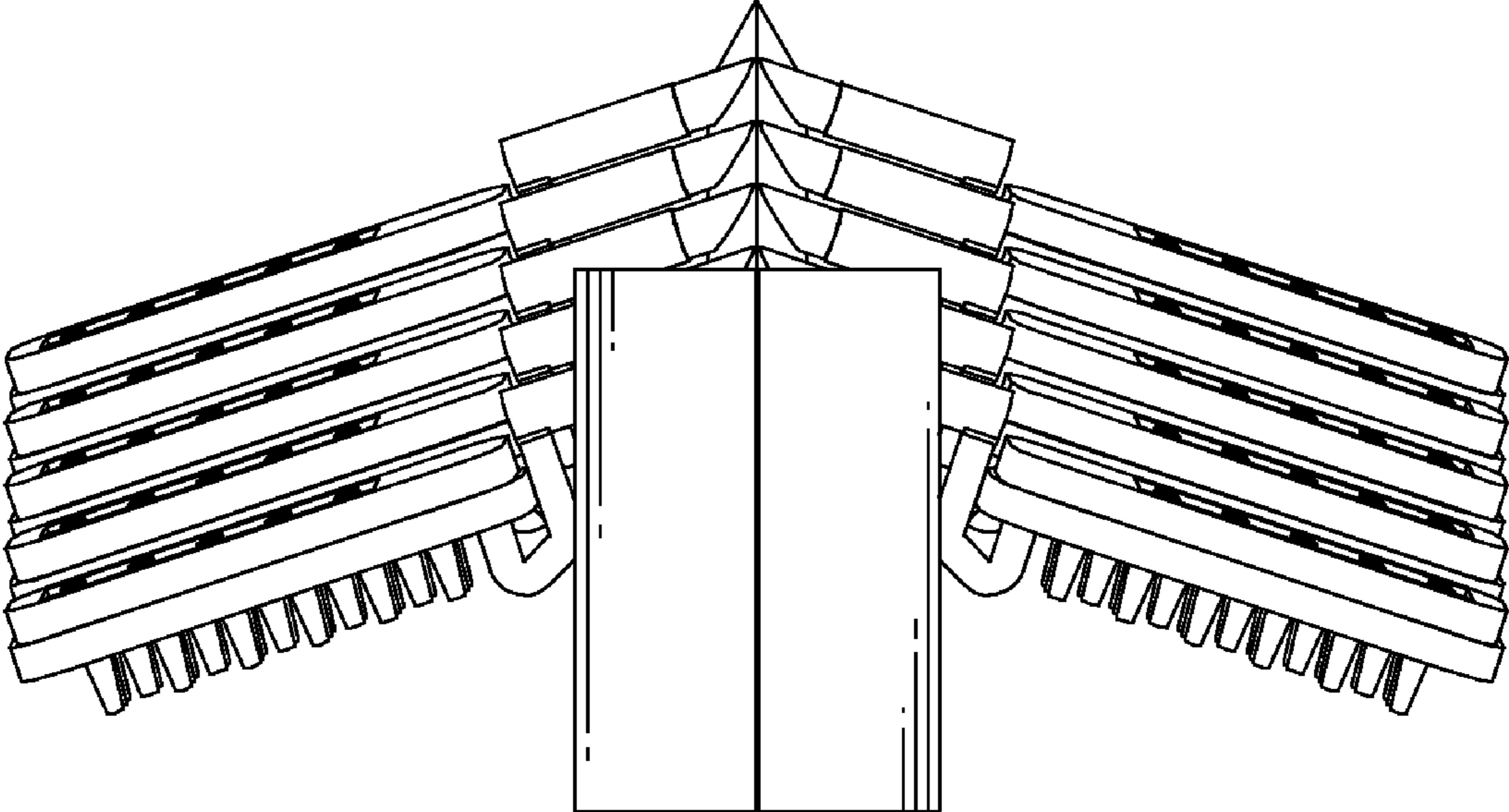


FIG. 7

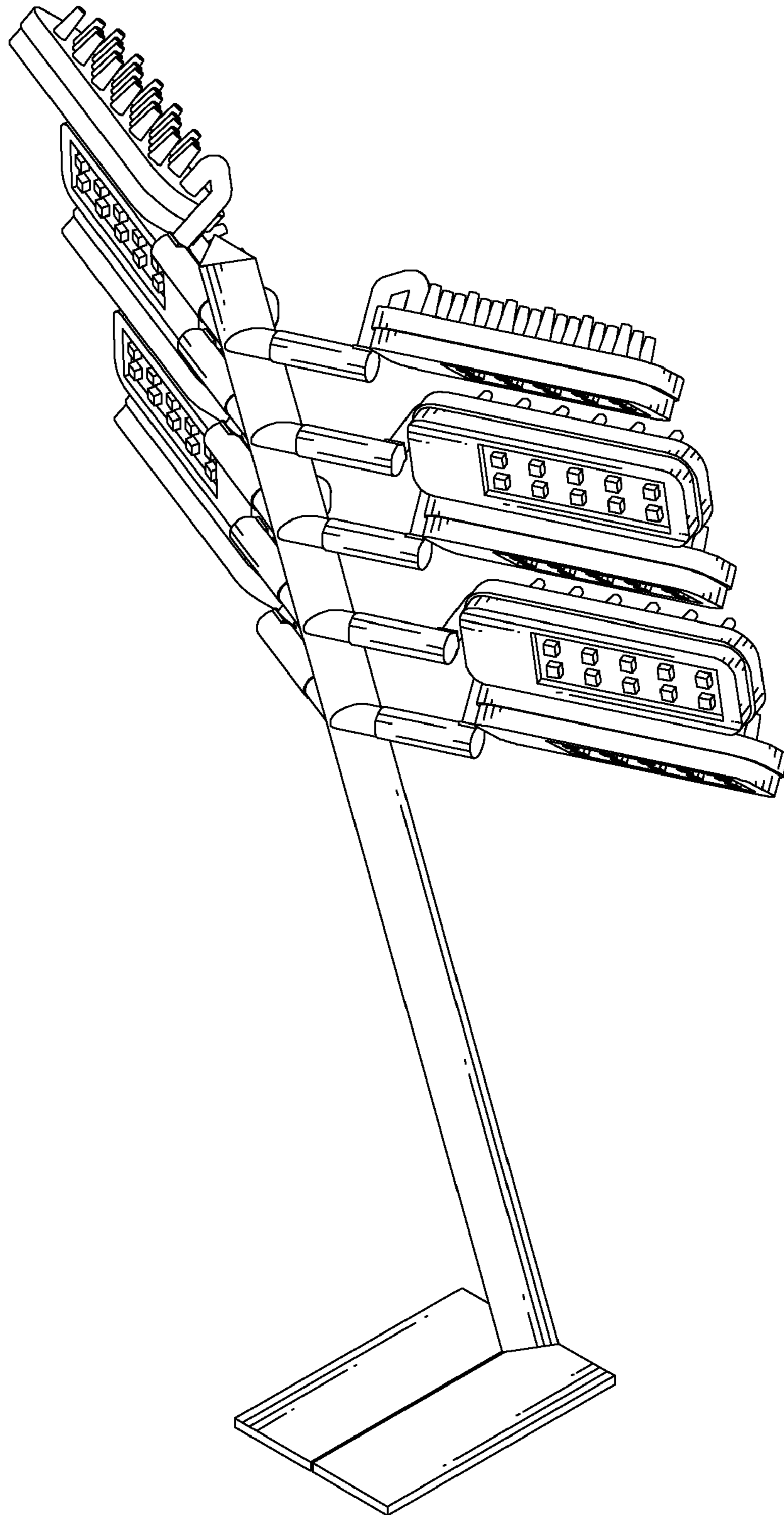


FIG. 8