



US00D627905S

(12) **United States Design Patent**  
**Swafford, Jr. et al.**

(10) **Patent No.:** **US D627,905 S**  
(45) **Date of Patent:** **\*\* Nov. 23, 2010**

(54) **LIGHTING FIXTURE**

(75) Inventors: **John Wesley Swafford, Jr.**, Palatine, IL (US); **David Breslow**, Chicago, IL (US)

(73) Assignee: **RTC Industries, Inc.**, Rolling Meadows, IL (US)

(\*\*) Term: **14 Years**

(21) Appl. No.: **29/365,892**

(22) Filed: **Jul. 16, 2010**

(51) **LOC (9) Cl.** ..... **26-03**

(52) **U.S. Cl.** ..... **D26/24; D26/76**

(58) **Field of Classification Search** ..... D26/24,  
D26/25, 51, 58, 72, 1, 2, 3, 75, 76, 78, 80,  
D26/81, 82, 83, 113; 362/249.01, 249.02,  
362/249.03, 249.05, 311.02, 147, 217.01,  
362/260, 800

See application file for complete search history.

(56) **References Cited**

**U.S. PATENT DOCUMENTS**

D330,269 S *	10/1992	Hong	.....	D26/76
D386,278 S *	11/1997	Engle et al.	.....	D26/76
6,188,527 B1	2/2001	Bohn		
6,283,612 B1	9/2001	Hunter		
D464,162 S	10/2002	Segretto		
6,536,924 B2	3/2003	Segretto		
6,582,102 B2 *	6/2003	Lin	.....	362/304
6,736,525 B2	5/2004	Chin		
D496,122 S	9/2004	Kan		
D496,486 S *	9/2004	Kan	.....	D26/76
D506,274 S	6/2005	Moriyama et al.		
6,995,405 B2	2/2006	Braddell et al.		
6,997,576 B1	2/2006	Lodhie et al.		
D521,173 S *	5/2006	Noh	.....	D26/78
D526,737 S *	8/2006	Noh	.....	D26/78
D546,985 S	7/2007	Hoshikawa et al.		
D550,379 S	9/2007	Hoshikawa et al.		
D550,869 S	9/2007	Hoshikawa et al.		
7,331,687 B1 *	2/2008	Noh	.....	362/219
D565,515 S	4/2008	Chen		

D568,500 S	5/2008	Uemoto et al.		
D571,938 S	6/2008	Uemoto et al.		
D578,681 S	10/2008	Huang		
D579,138 S	10/2008	Ghini		
7,441,922 B2	10/2008	Huang et al.		
D581,569 S	11/2008	Levine		
D585,152 S *	1/2009	Levine	.....	D26/76
7,513,640 B2 *	4/2009	Hendrikus	.....	362/219
D593,698 S *	6/2009	Noh	.....	D26/76
D595,444 S	6/2009	Shimomura		

(Continued)

**OTHER PUBLICATIONS**

Light and Light Housing; date unknown but more than one year prior to the filing date of the present application.

*Primary Examiner*—Angela J Lee

(74) *Attorney, Agent, or Firm*—Banner & Witcoff, Ltd.

(57) **CLAIM**

The ornamental design for a lighting fixture, as shown and described.

**DESCRIPTION**

FIG. 1 is a front, left perspective view of a lighting fixture showing our new design;

FIG. 2 is a front view thereof;

FIG. 3 is a rear view thereof;

FIG. 4 is a left side view thereof;

FIG. 5 is a right side view thereof;

FIG. 6 is a top view thereof;

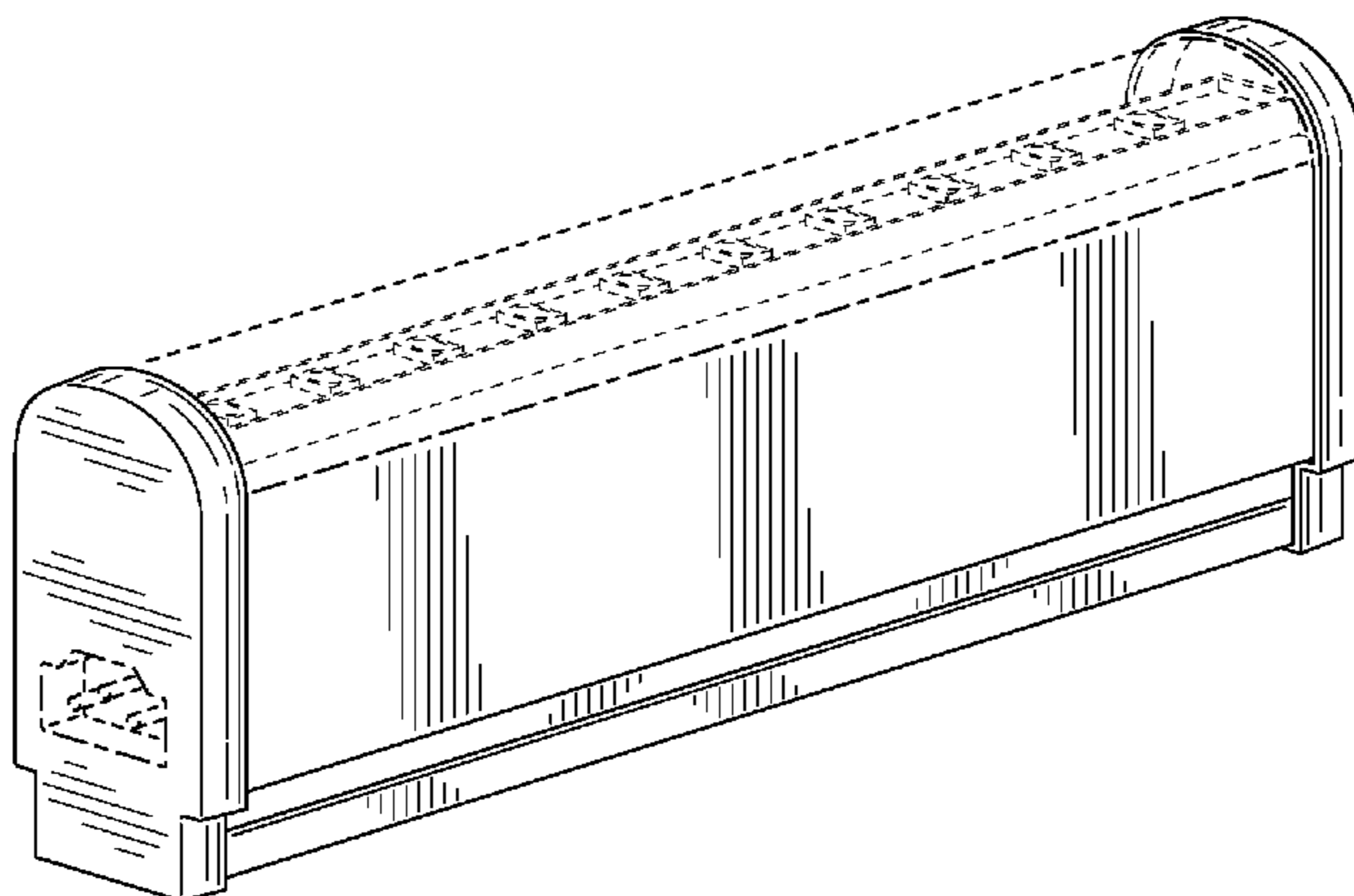
FIG. 7 is a bottom view thereof;

FIG. 8 is a top, front, left perspective view thereof; and,

FIG. 9 is a top, rear, right perspective view thereof.

The uneven-length broken lines represent unclaimed boundaries of the claimed design. The even-length broken lines showing the remainder of the lighting fixture are for environmental purposes only and form no part of the claimed design.

**1 Claim, 7 Drawing Sheets**



# US D627,905 S

Page 2

---

## U.S. PATENT DOCUMENTS

D603,079 S	10/2009	Toot et al.	D615,223 S	5/2010	Huang
D606,673 S	12/2009	Kao	7,722,221 B2	5/2010	Chae
D608,928 S *	1/2010	Noh ..... D26/76	2002/0118537 A1 *	8/2002	Segretto ..... 362/226
7,648,251 B2	1/2010	Whitehouse et al.	2005/0265019 A1	12/2005	Sommers et al.
D614,323 S	4/2010	Stewart et al.	2008/0094837 A1	4/2008	Dobbins et al.
			2010/0214779 A1 *	8/2010	Kao ..... 362/249.02

\* cited by examiner

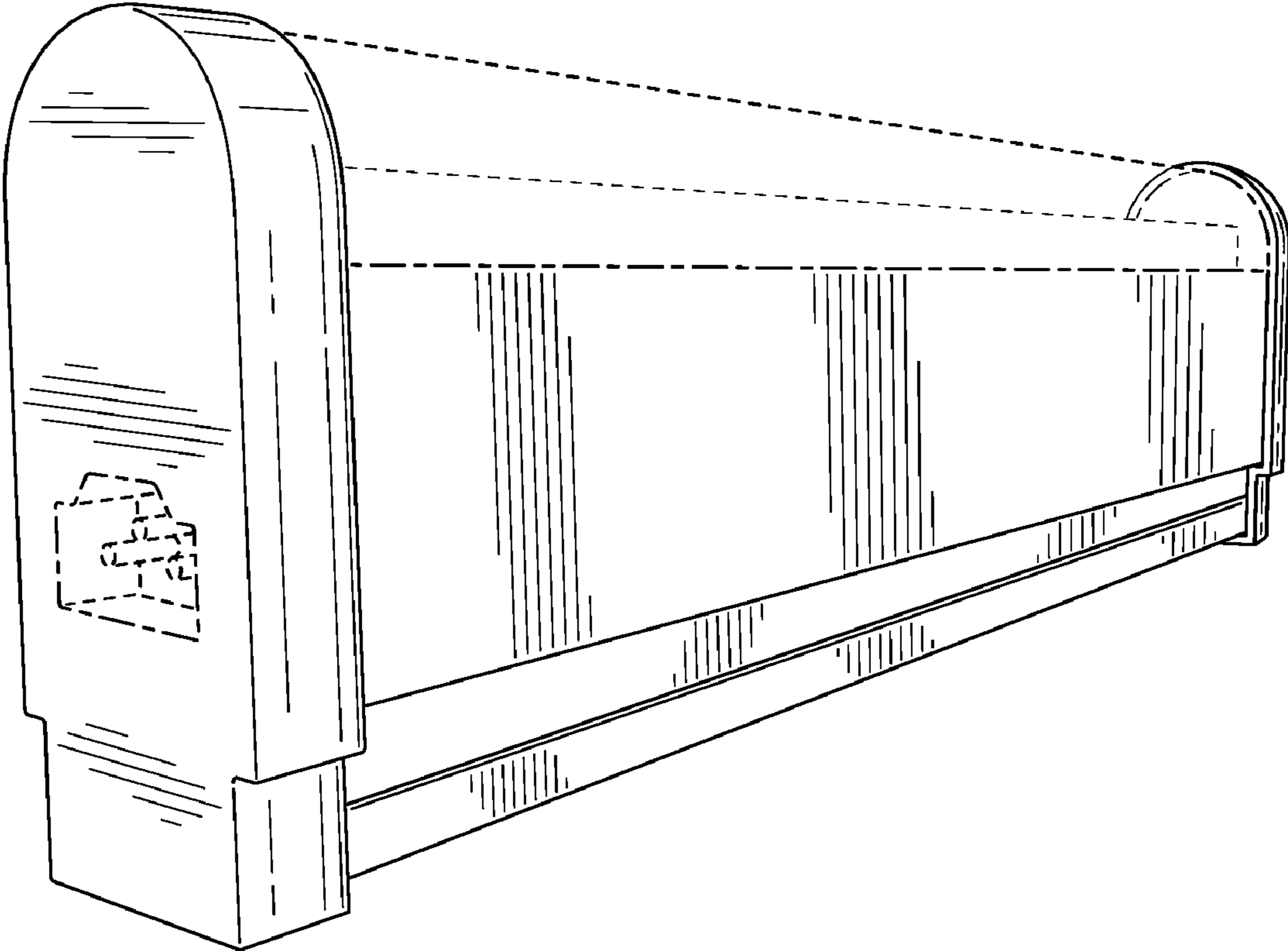


FIG. 1

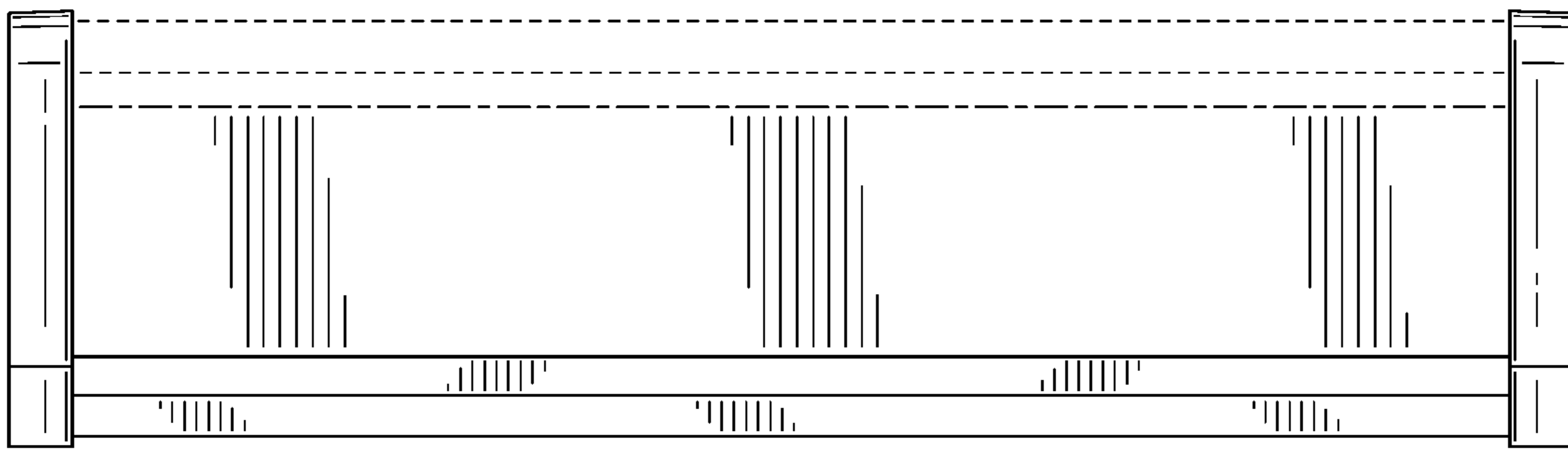


FIG. 2

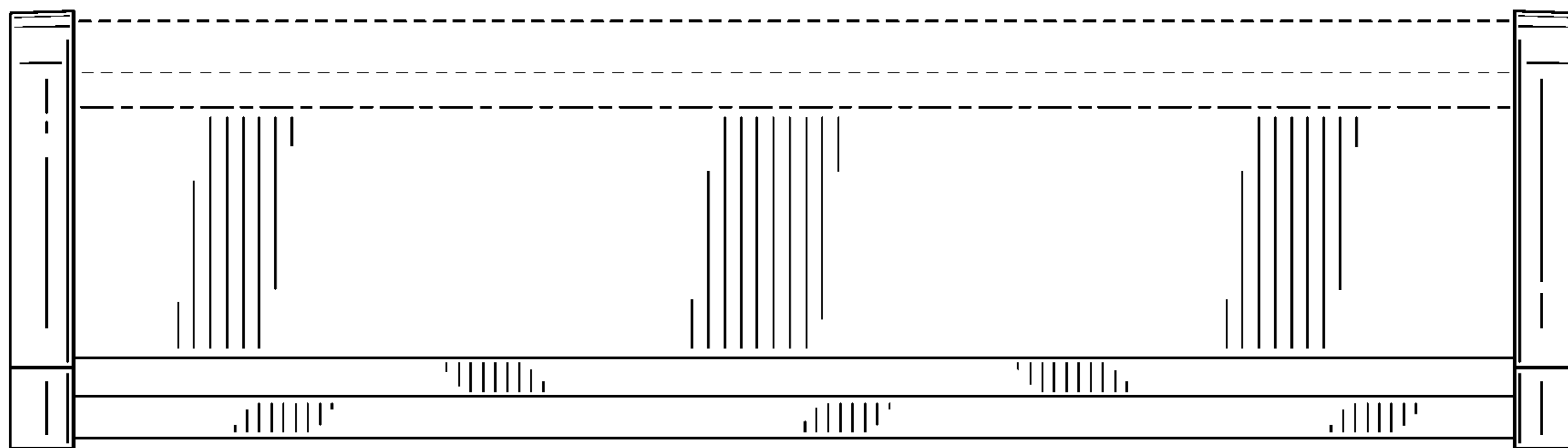


FIG. 3

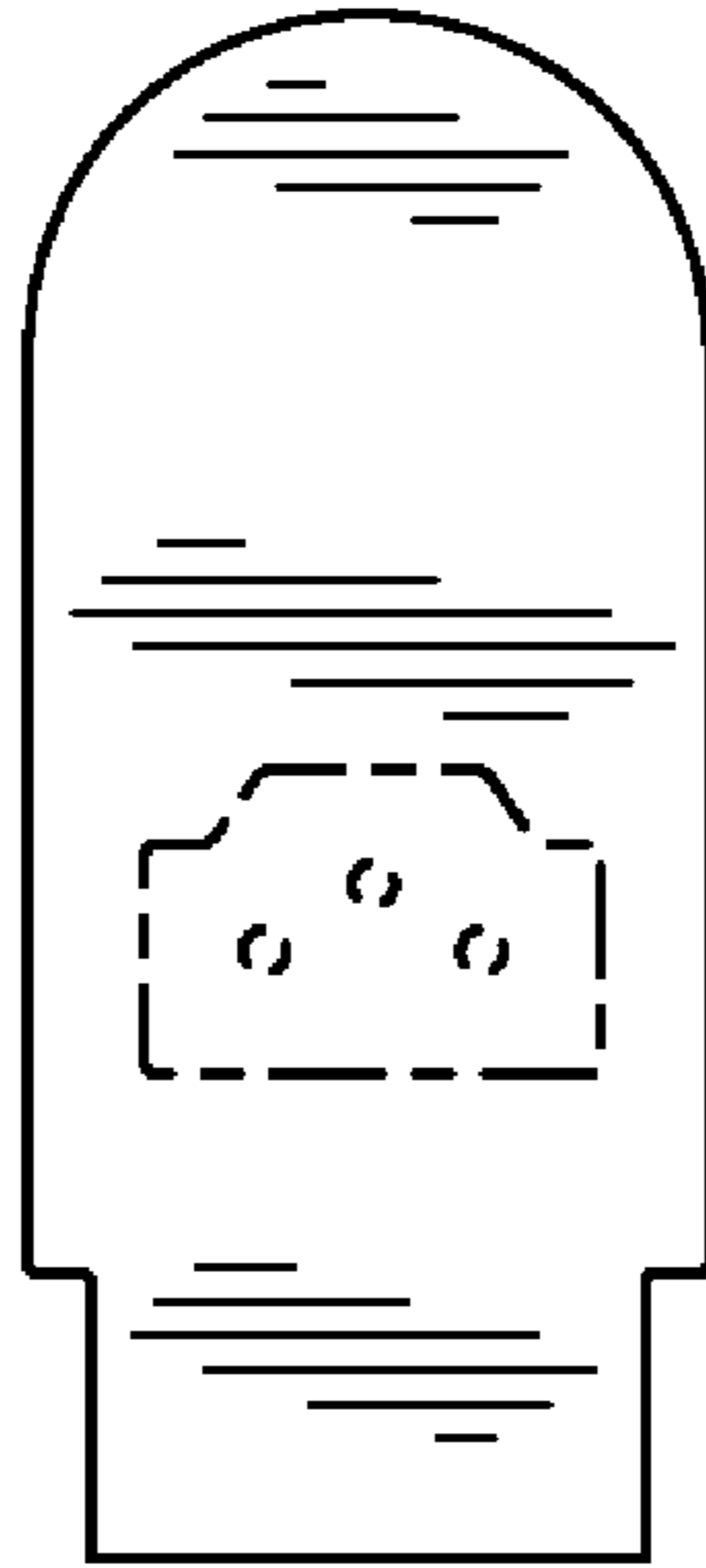


FIG. 4

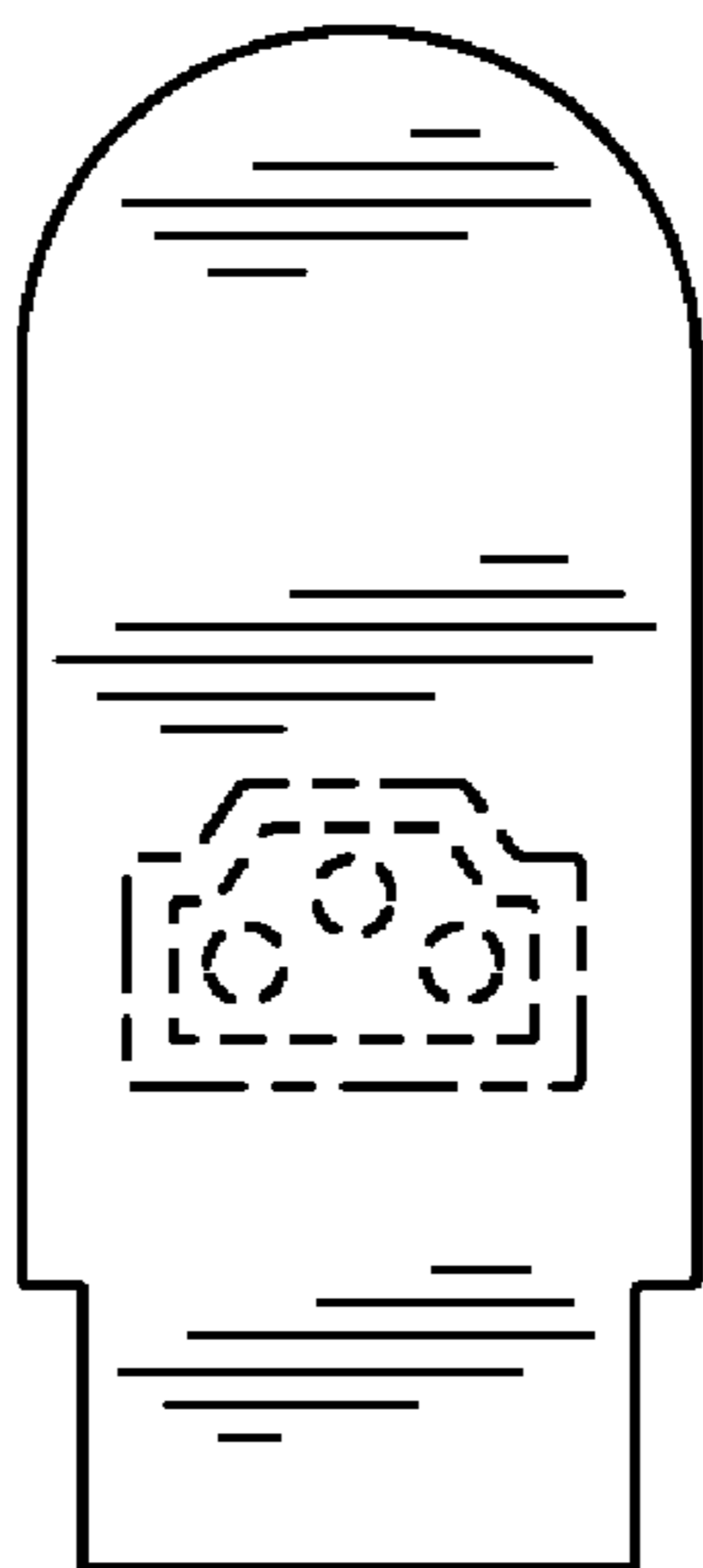


FIG. 5

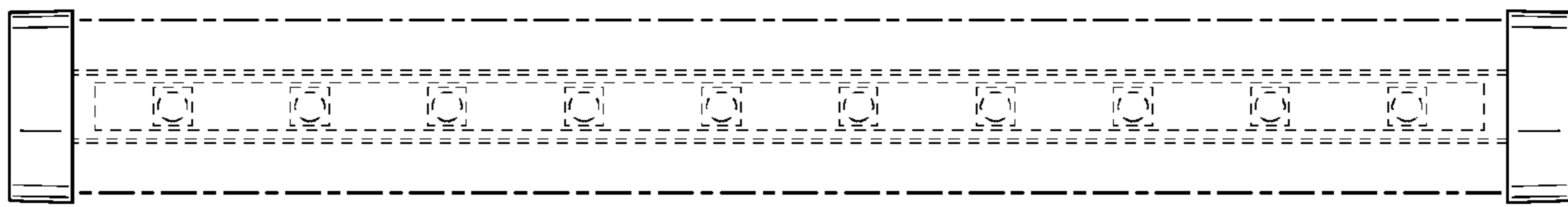


FIG. 6

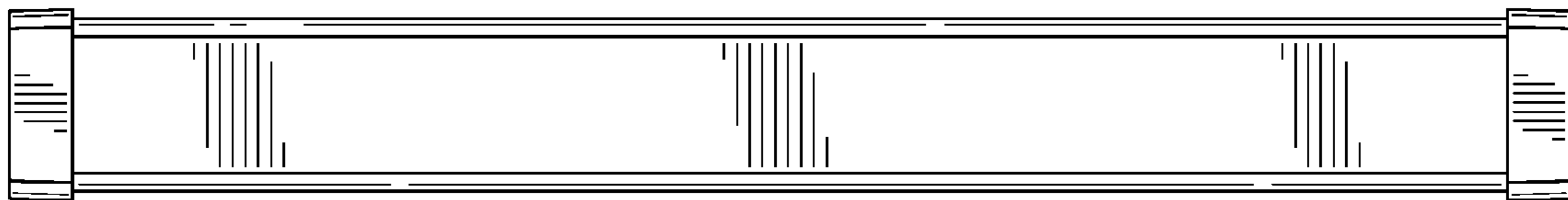


FIG. 7

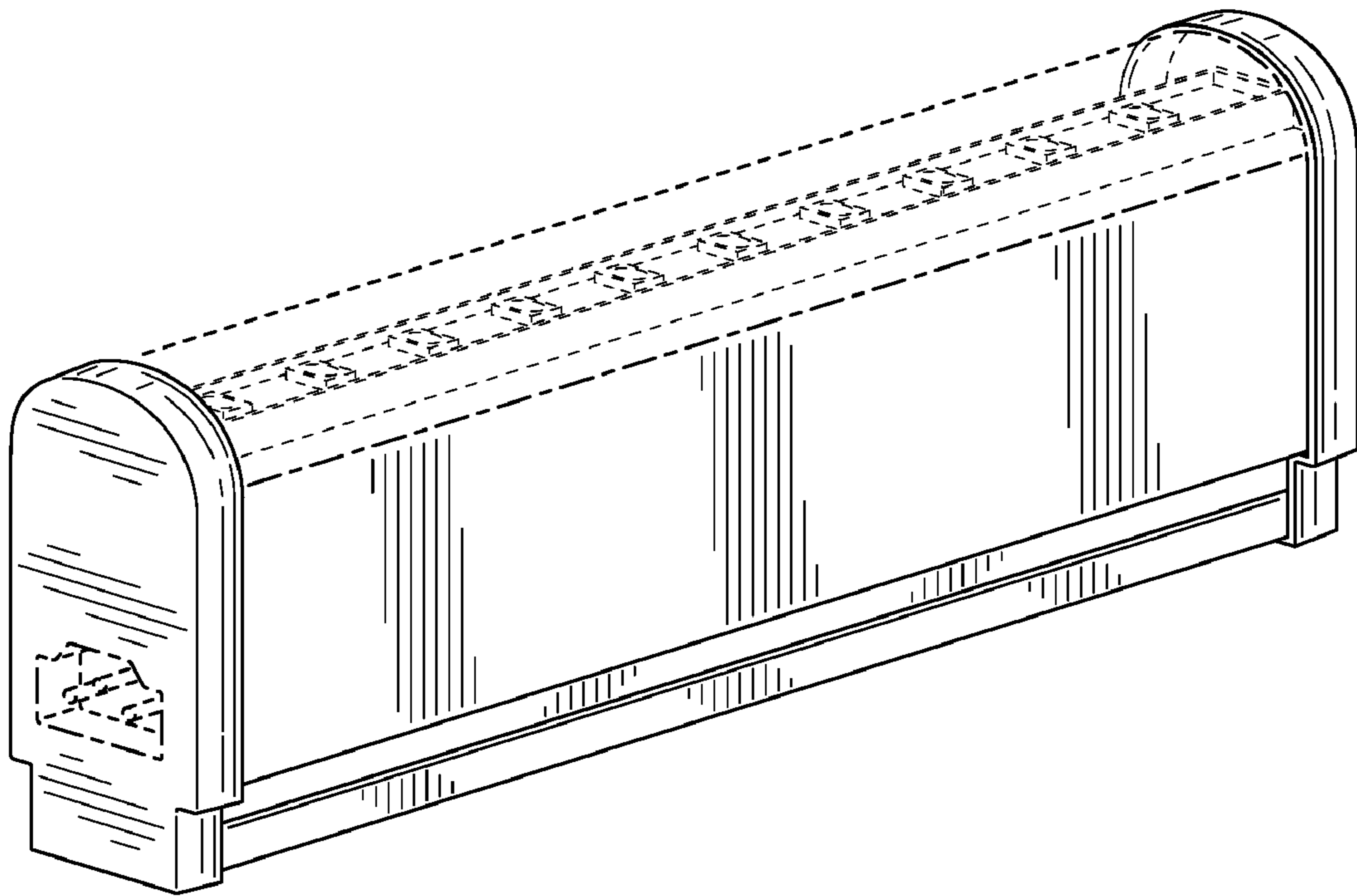


FIG. 8



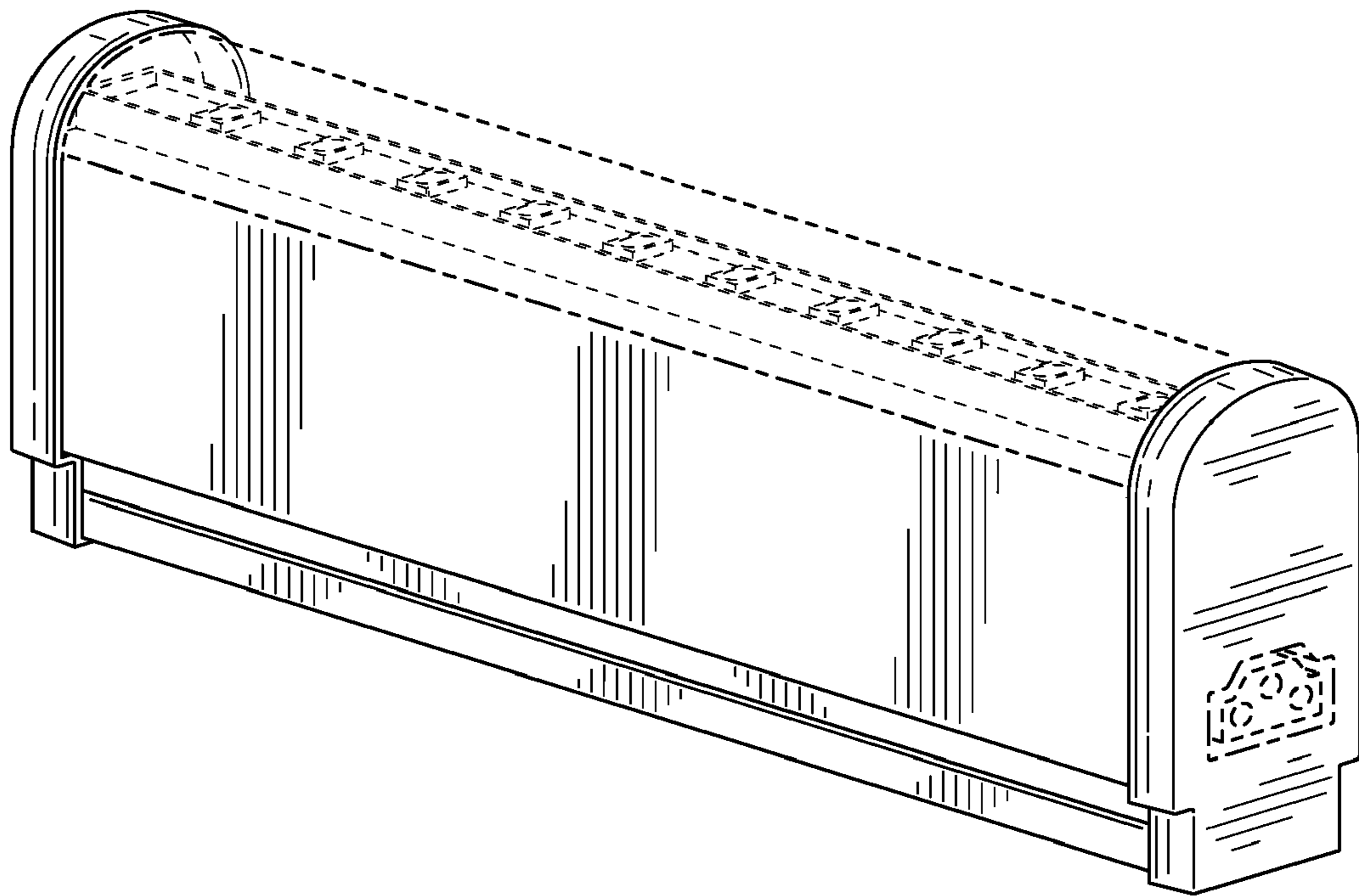


FIG. 9