



US00D627904S

(12) **United States Design Patent**  
**Jiang**

(10) **Patent No.:** **US D627,904 S**

(45) **Date of Patent:** **\*\* Nov. 23, 2010**

(54) **LED BULB**

D534,665 S \* 1/2007 Egawa et al. .... D26/2  
D594,995 S \* 6/2009 Komar ..... D26/2

(75) Inventor: **Zequan Jiang**, Shenzhen (CN)

\* cited by examiner

(73) Assignee: **Pepnice Opto-Electronics Science and Technology Co., Ltd.**, Shenzhen (CN)

*Primary Examiner*—Marcus A Jackson

(74) *Attorney, Agent, or Firm*—Fay Kaplun & Marcin, LLP

(\*\*) Term: **14 Years**

(57) **CLAIM**

(21) Appl. No.: **29/353,791**

The ornamental design for a LED bulb, as shown and described.

(22) Filed: **Jan. 14, 2010**

(51) **LOC (9) Cl.** ..... **26-04**

(52) **U.S. Cl.** ..... **D26/2**

(58) **Field of Classification Search** ..... D26/1-4;  
313/313, 315, 317, 318, 493; 315/52, 53,  
315/56, 57, 58

See application file for complete search history.

**DESCRIPTION**

FIG. 1 is a perspective view of a LED bulb showing our new design;

FIG. 2 is a front elevation view of the LED bulb of FIG. 1 thereof;

FIG. 3 is a left side view of the LED bulb of FIG. 1 thereof;

FIG. 4 is a right side view of the LED bulb of FIG. 1 thereof;

FIG. 5 is a top view of the LED bulb of FIG. 1 thereof; and,

FIG. 6 is a bottom side view of the LED bulb of FIG. 1 thereof.

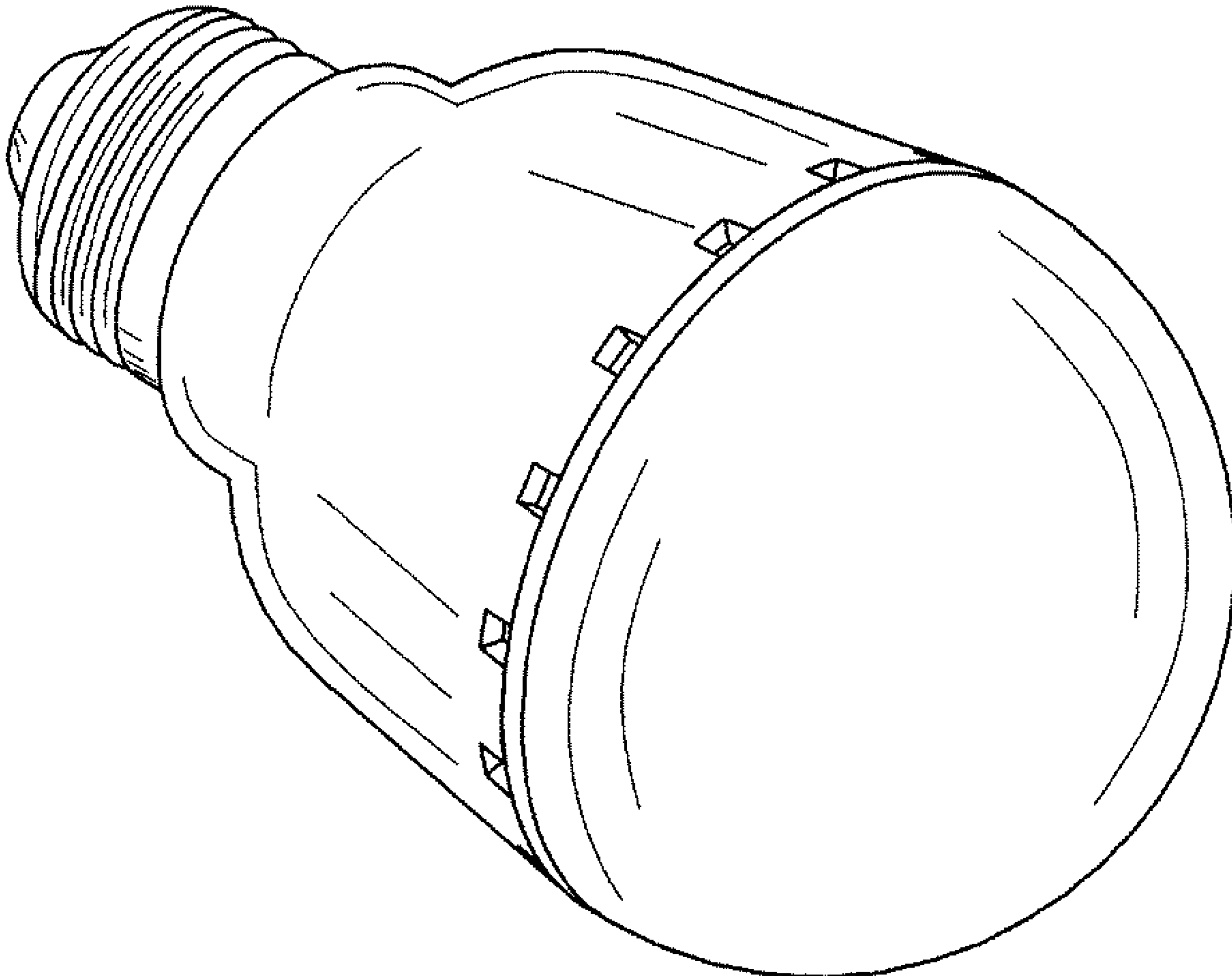
(56) **References Cited**

**U.S. PATENT DOCUMENTS**

D499,820 S \* 12/2004 Foo ..... D26/2

D500,872 S \* 1/2005 Foo ..... D26/2

**1 Claim, 5 Drawing Sheets**



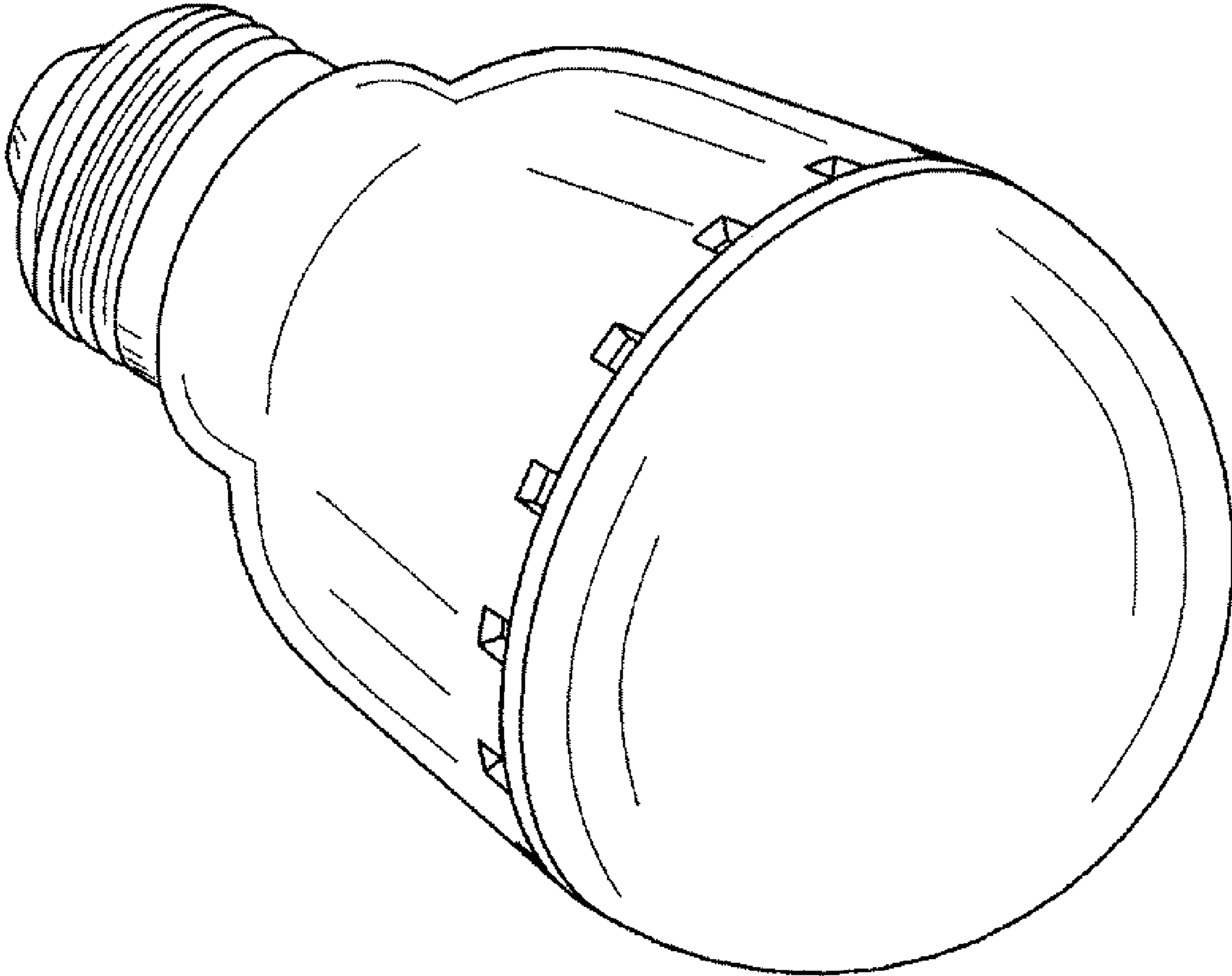


FIG. 1

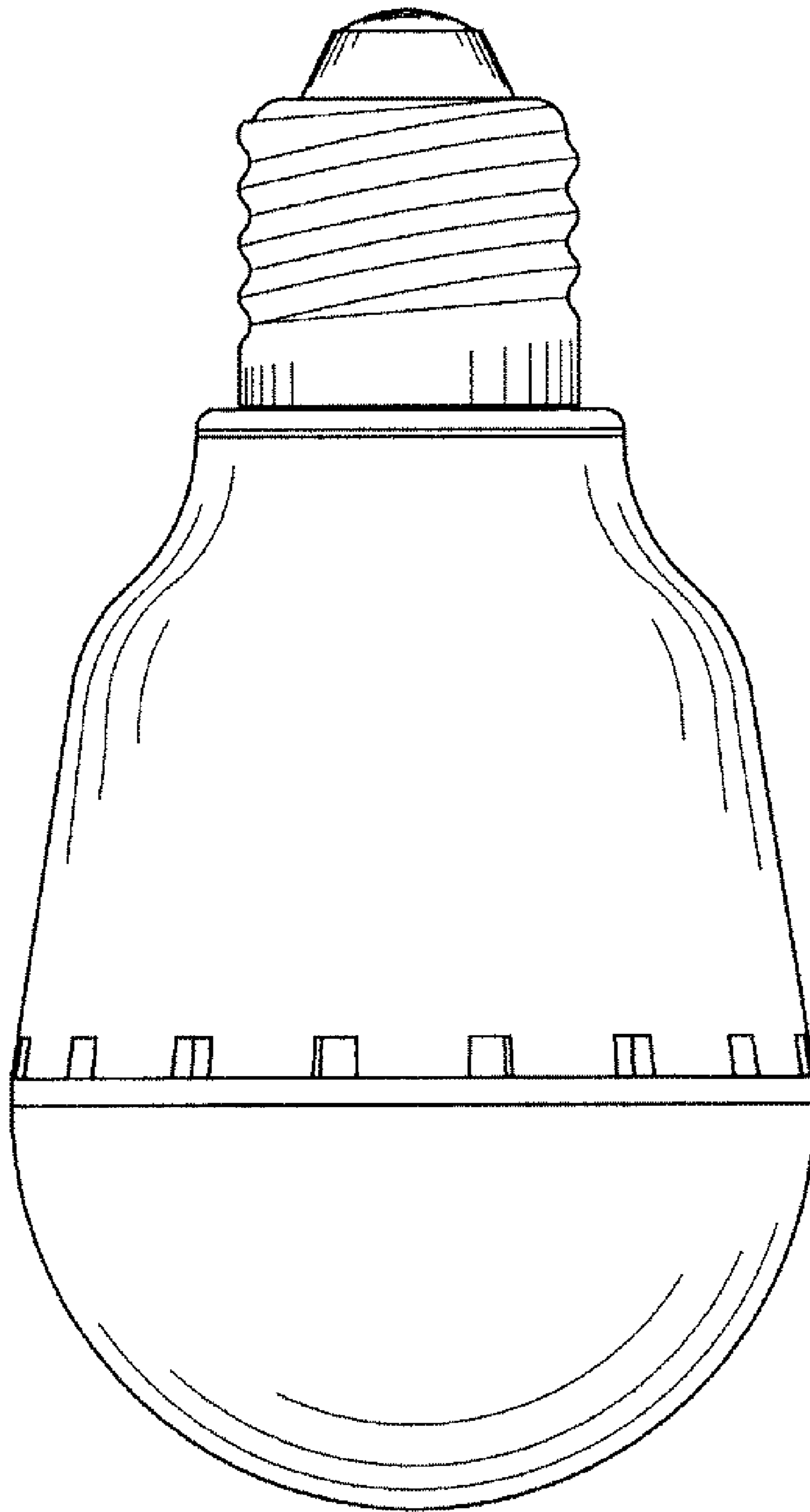


FIG. 2

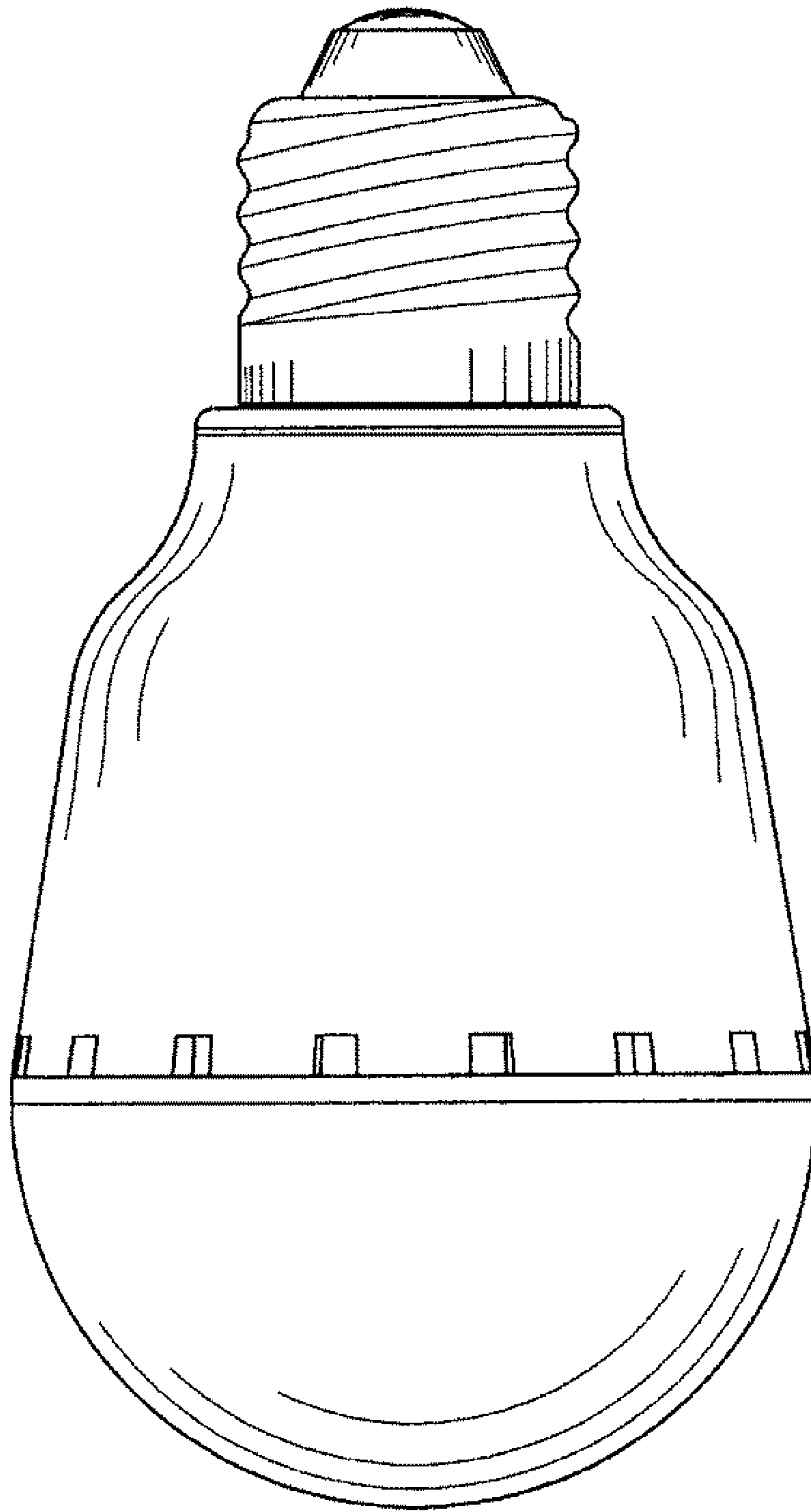


FIG. 3

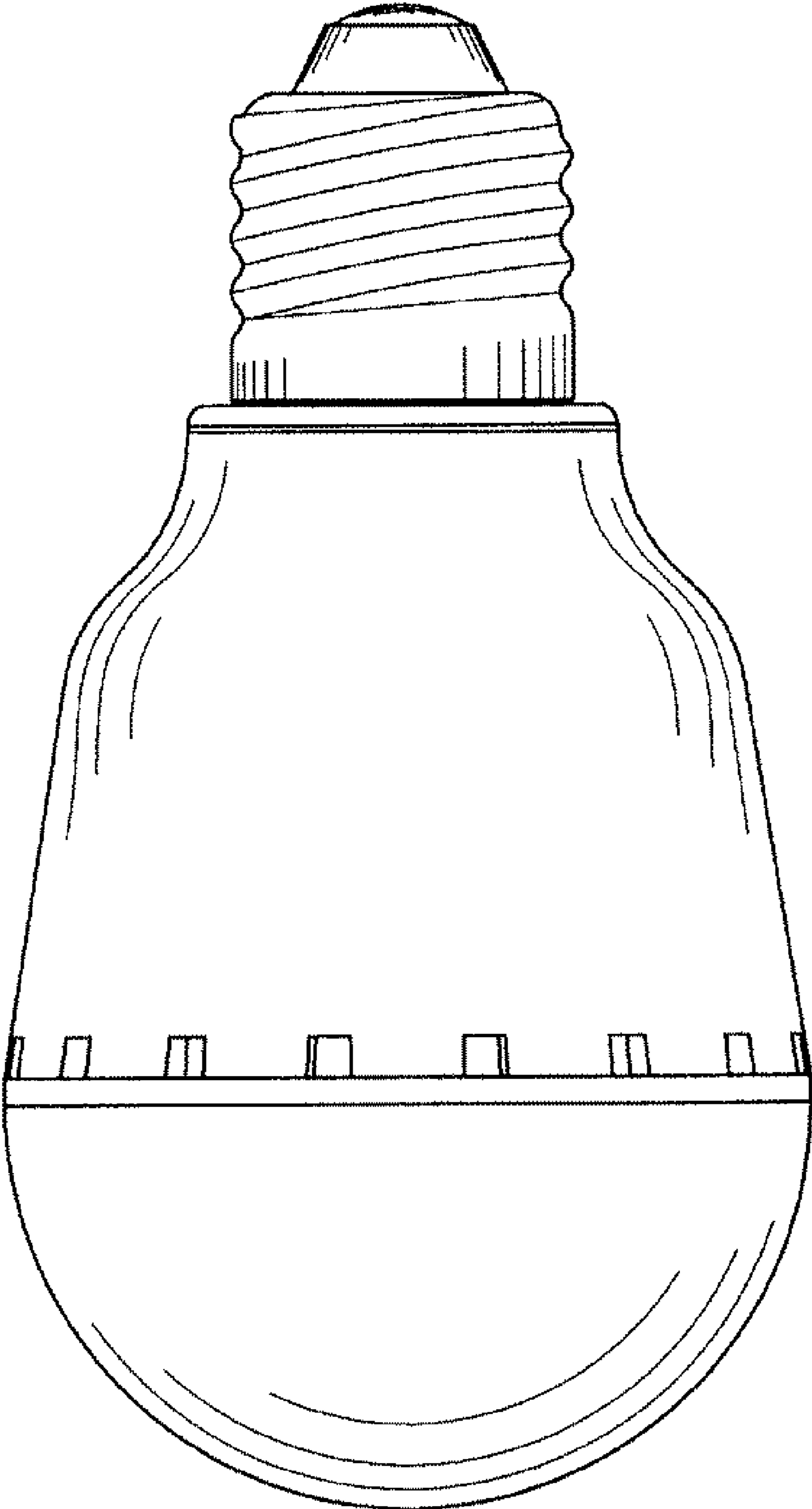


FIG. 4

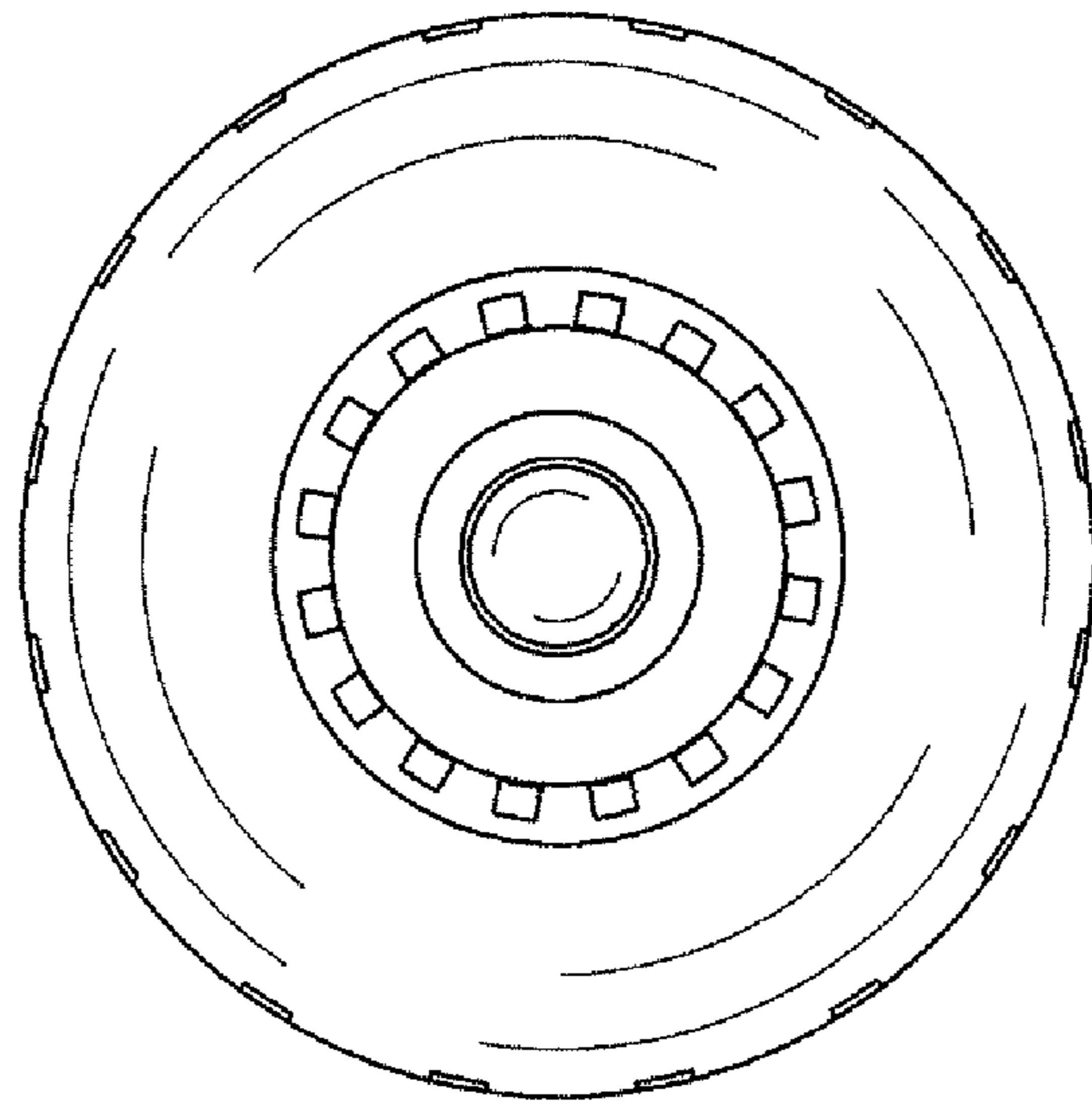


FIG. 5

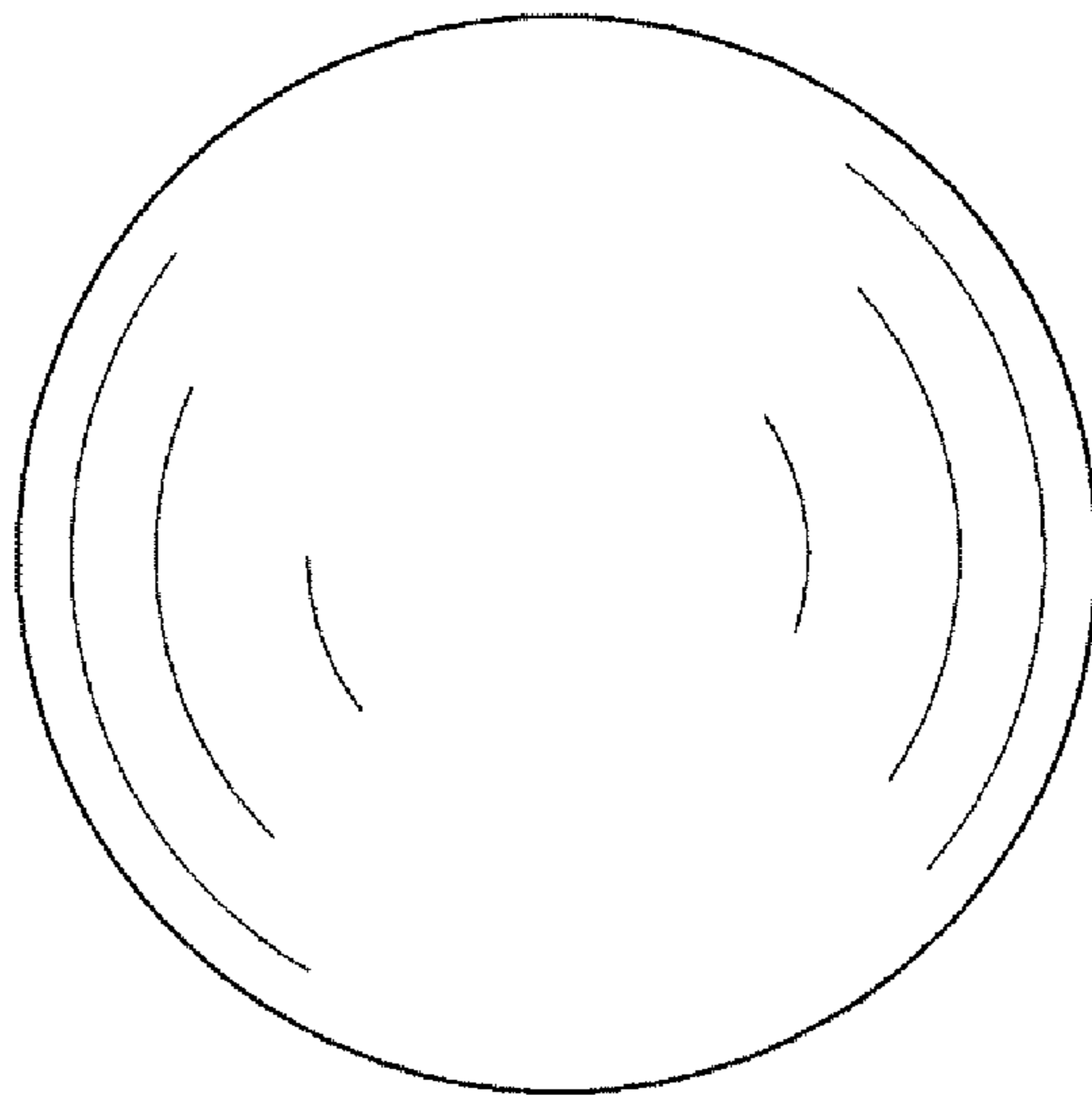


FIG. 6