



US00D627902S

(12) **United States Design Patent**
Reynolds

(10) **Patent No.:** **US D627,902 S**

(45) **Date of Patent:** **** Nov. 23, 2010**

(54) **LADDER ANCHOR**

(76) Inventor: **Timothy L. Reynolds**, 1555
Commonwealth Dr., #7, Fort Atkinson,
WI (US) 53538

(**) Term: **14 Years**

(21) Appl. No.: **29/360,532**

(22) Filed: **Apr. 27, 2010**

(51) **LOC (9) Cl.** **25-04**

(52) **U.S. Cl.** **D25/68**

(58) **Field of Classification Search** D25/68;
182/107, 108; 248/210, 238

See application file for complete search history.

(56) **References Cited**

U.S. PATENT DOCUMENTS

D343,907 S *	2/1994	Porter	D25/68
5,337,856 A	8/1994	Fillers		
5,423,397 A *	6/1995	Boughner	182/107
5,865,268 A	2/1999	Finneran et al.		

5,918,699 A	7/1999	Summers		
6,196,353 B1 *	3/2001	Howard	182/108
D474,284 S *	5/2003	Spencer et al.	D25/68
2010/0051384 A1	3/2010	Currie		

* cited by examiner

Primary Examiner—Doris Clark

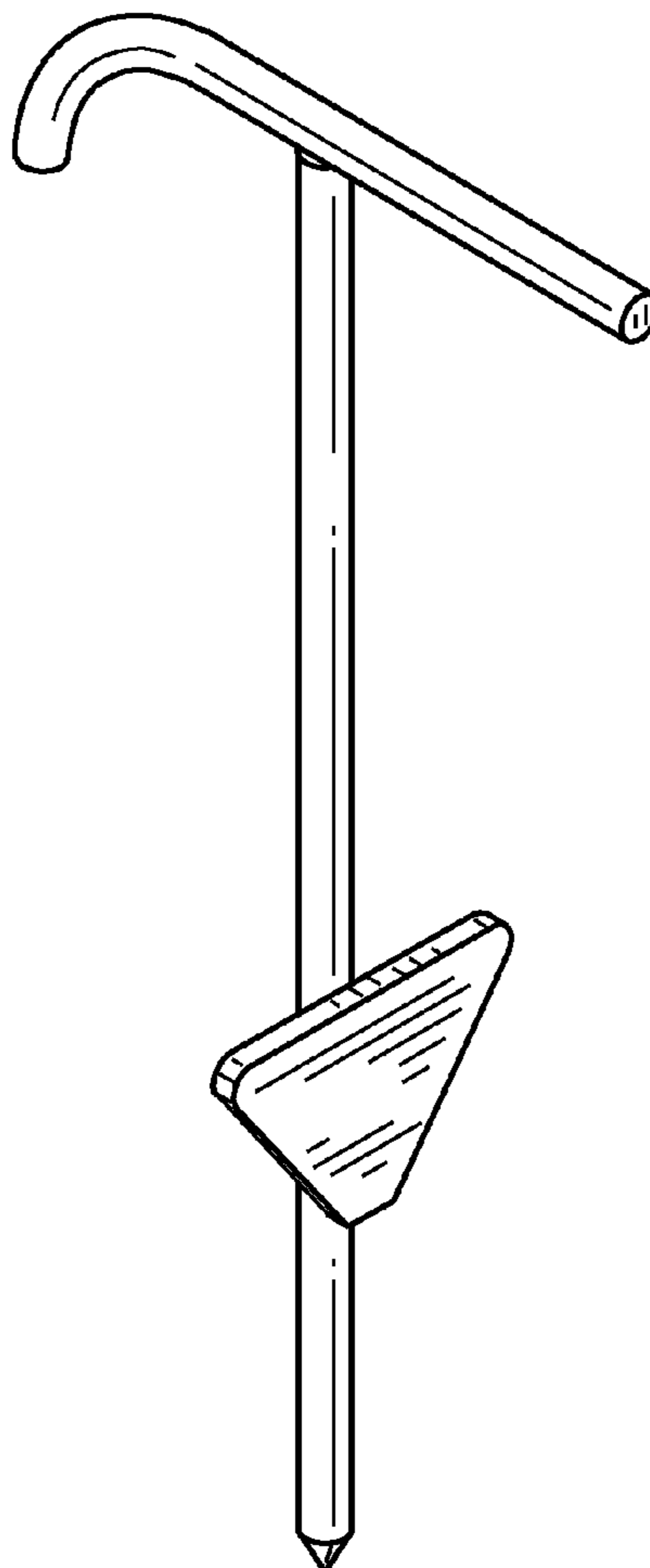
(57) **CLAIM**

The ornamental design for a ladder anchor, as shown and described.

DESCRIPTION

FIG. 1 is a perspective view of the front of the ladder anchor.
FIG. 2 is a side elevation view thereof;
FIG. 3 is a front elevation view thereof.
FIG. 4 is a back elevation view thereof.
FIG. 5 is a top plan view thereof; and,
FIG. 6 is a bottom plan view thereof.

1 Claim, 3 Drawing Sheets



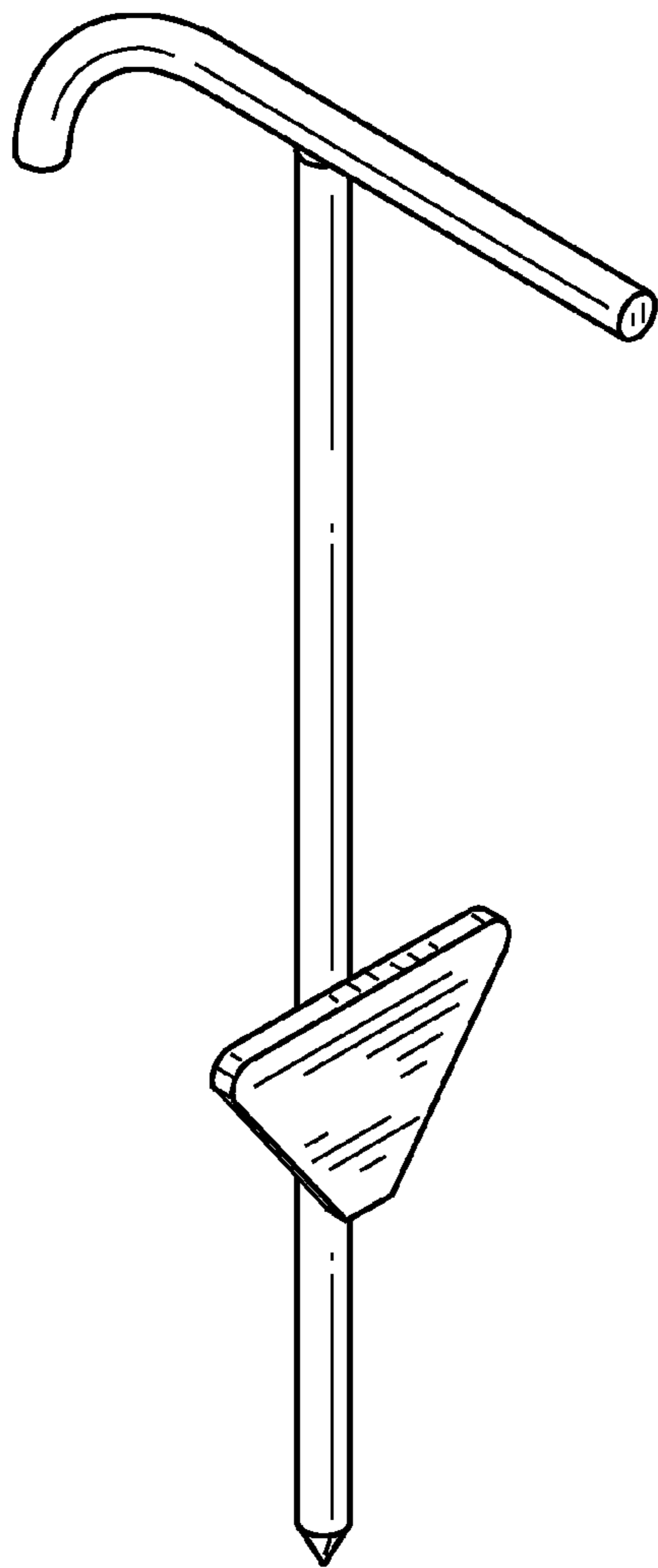


FIG. 1

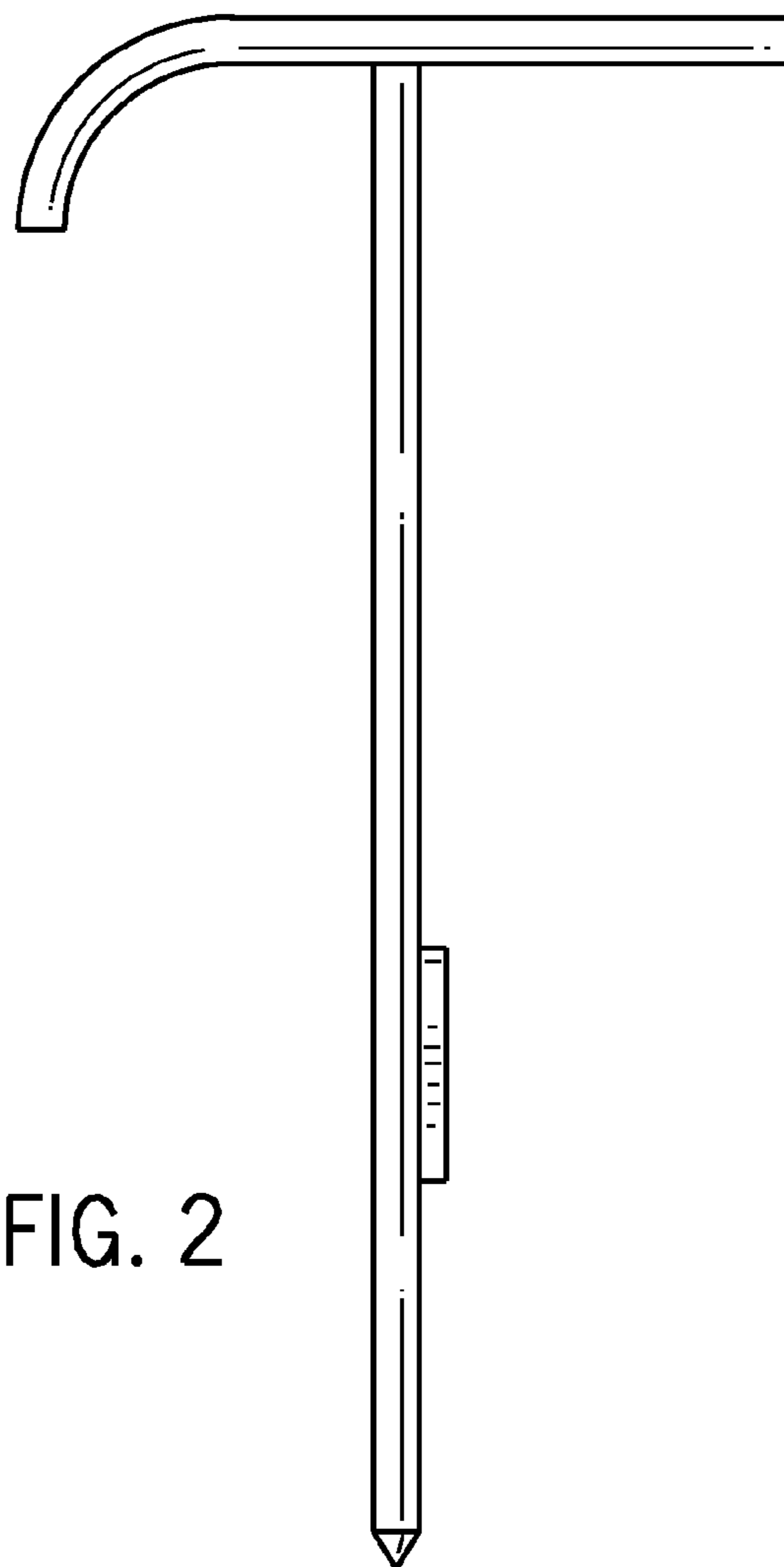


FIG. 2

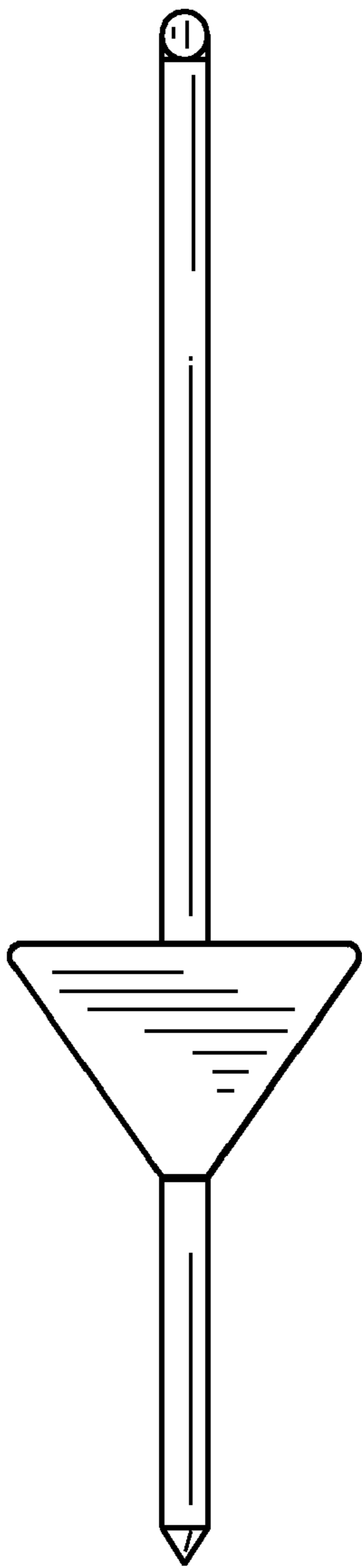


FIG. 3

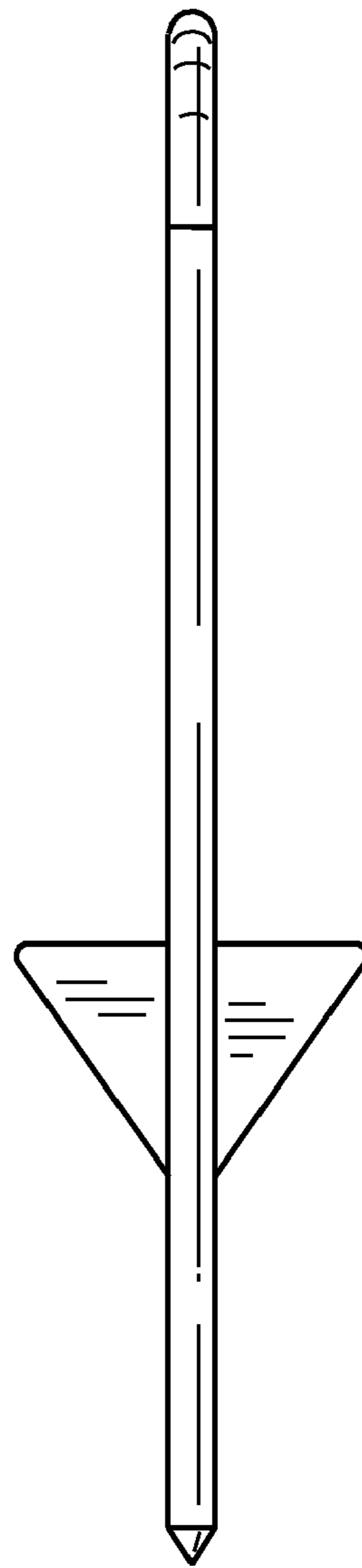


FIG. 4

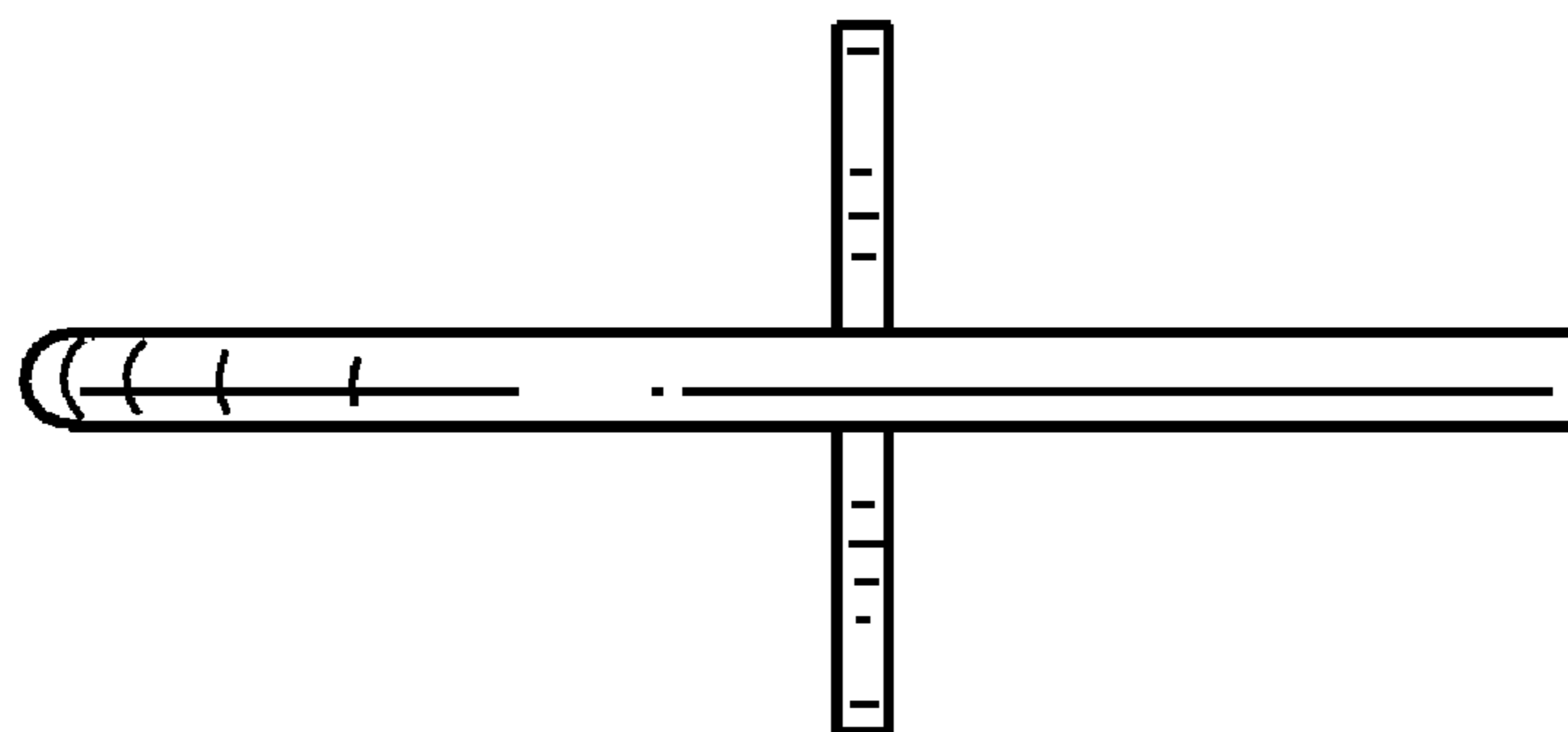


FIG. 5

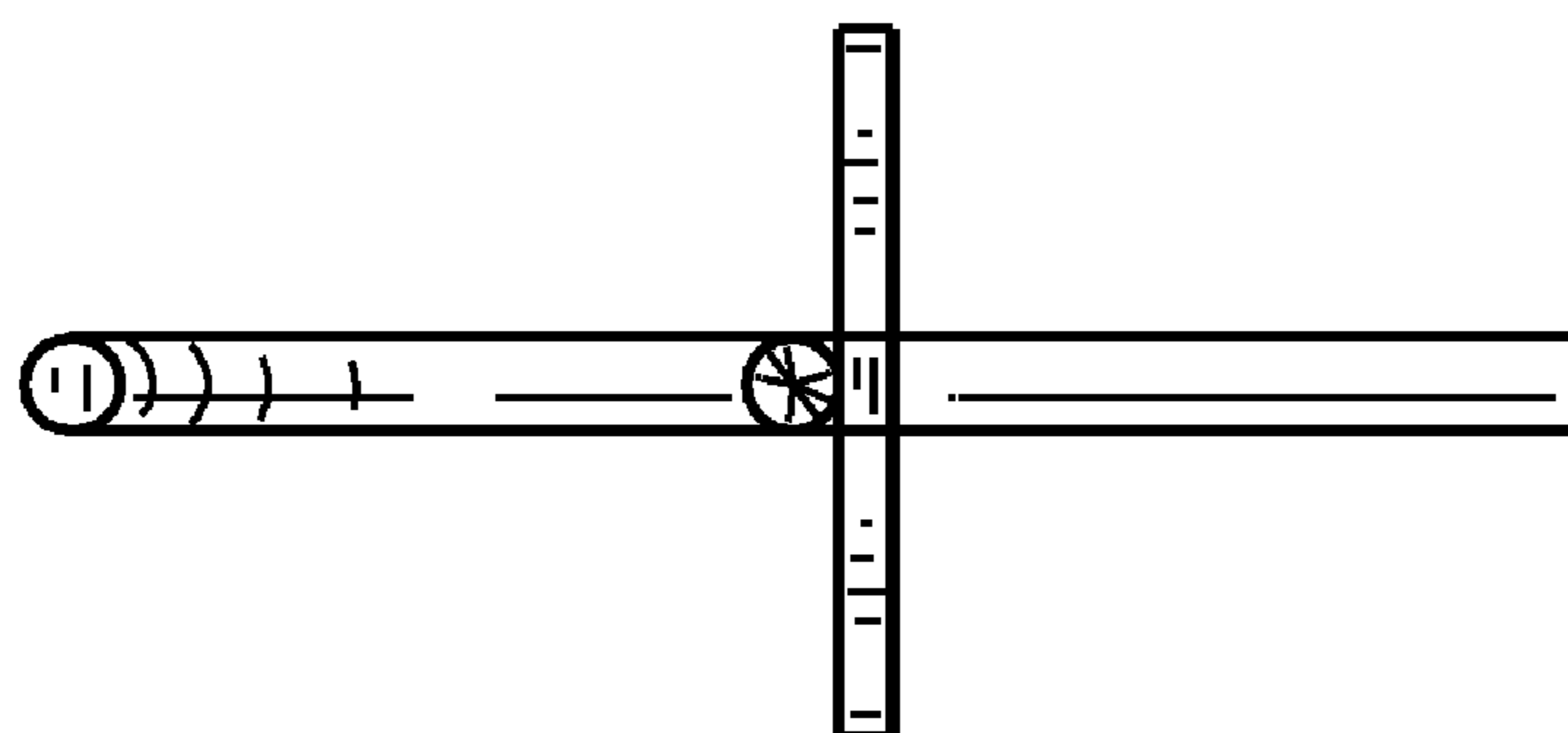


FIG. 6