



US00D627900S

(12) **United States Design Patent**  
**Layman**

(10) **Patent No.:** **US D627,900 S**

(45) **Date of Patent:** **\*\* Nov. 23, 2010**

(54) **GLOVE BOX**

D274,748 S \* 7/1984 Aberg ..... D23/371

(75) Inventor: **Frederick P. Layman**, Carefree, AZ  
(US)

(Continued)

**FOREIGN PATENT DOCUMENTS**

(73) Assignee: **SDCmaterials, Inc.**, Tempe, AZ (US)

JP 56-146804 11/1981

WO WO 02/092503 A1 11/2002

WO 2004052778 A2 6/2004

WO WO 2006/079213 A1 8/2006

(\*\*) Term: **14 Years**

(21) Appl. No.: **29/307,725**

(22) Filed: **May 7, 2008**

**OTHER PUBLICATIONS**

(51) **LOC (9) Cl.** ..... **24-02**

(52) **U.S. Cl.** ..... **D24/234**

(58) **Field of Classification Search** ..... D24/163,  
D24/231-232, 234, 185; D23/371; D25/16;  
5/600; 132/73; 422/41, 102, 104, 292; 600/21-22;  
435/3; 454/187, 189, 196

Hanet al., Deformation Mechanisms and Ductility of Nanostructured Al Alloys, Mat. Res. Soc. Symp. Proc. vol. 821, Jan. 2004, Material Research Society, [http://www.mrs.org/s\\_mrs/bin.asp?CID=2670&DOC=FILE.PDF](http://www.mrs.org/s_mrs/bin.asp?CID=2670&DOC=FILE.PDF), 6 pages.

(Continued)

See application file for complete search history.

*Primary Examiner*—T. Chase Nelson

*Assistant Examiner*—Mark Cavanna

(74) *Attorney, Agent, or Firm*—Haverstock & Owens, LLP

(56) **References Cited**

**U.S. PATENT DOCUMENTS**

2,419,042 A	4/1947	Todd	202/205
2,519,531 A	8/1950	Worn	230/95
2,600,240 A *	6/1952	Grieb	600/22
2,689,780 A	9/1954	Rice	23/106
3,001,402 A	9/1961	Koblin	73/421.5
3,051,163 A *	8/1962	Trexler	600/21
D201,678 S *	7/1965	Pile et al.	D24/234
3,415,582 A *	12/1968	Trexler	422/41
3,457,788 A	7/1969	Miyajima	73/422
3,537,513 A	11/1970	Austin et al.	165/70
3,741,001 A	6/1973	Fletcher et al.	73/28
3,774,442 A	11/1973	Gustaysson	73/28
3,959,420 A	5/1976	Geddes et al.	261/112
4,008,620 A	2/1977	Narato et al.	73/421.5 A
4,059,903 A *	11/1977	Piet et al.	422/104
D247,274 S *	2/1978	McKinnon	D25/16
4,111,753 A *	9/1978	Folsom et al.	435/3
4,139,497 A	2/1979	Castor et al.	
4,171,288 A	10/1979	Keith et al.	
4,284,609 A	8/1981	deVries	
4,388,274 A	6/1983	Rourke et al.	
4,436,075 A	3/1984	Campbell et al.	123/557

(57) **CLAIM**

I claim the ornamental design for glove box, as shown and described.

**DESCRIPTION**

FIG. 1 is a isometric top view of glove box showing of our new design;

FIG. 2 is a bottom view of glove box thereof;

FIG. 3 is a top view of glove box without cover plates thereof;

FIG. 4 is an end view of glove box thereof;

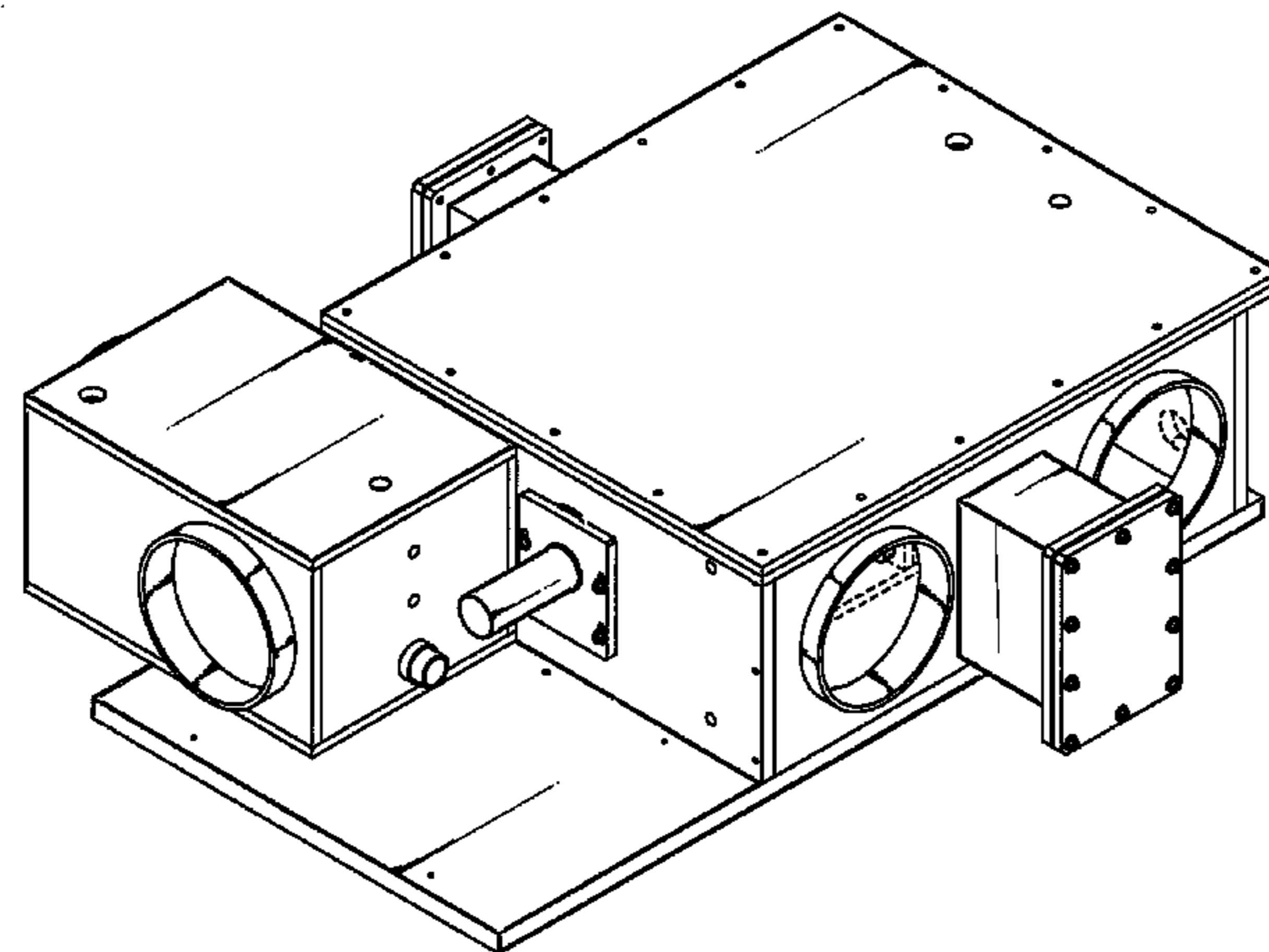
FIG. 5 is a front view of glove box thereof;

FIG. 6 is a left side view of glove box thereof; and,

FIG. 7 is a right view 6 of glove box thereof.

The broken lines are included for the purpose of illustrating a portion of the glove box that forms no part of the claimed design.

**1 Claim, 5 Drawing Sheets**



# US D627,900 S

Page 2

U.S. PATENT DOCUMENTS							
4,513,149	A	4/1985	Gray et al.	6,641,775	B2 11/2003	Vigliotti et al. .... 264/618	
D286,324	S *	10/1986	Parks et al. .... D23/371	6,652,822	B2 11/2003	Phillips et al. .... 423/290	
D296,712	S *	7/1988	Bianchetti ..... D23/371	6,652,967	B2 11/2003	Yadav et al. .... 428/403	
4,824,624	A	4/1989	Palicka et al. .... 264/67	6,660,227	B2 *	12/2003	Lopez Ordaz ..... 422/24
4,855,505	A	8/1989	Koll	6,669,823	B1 12/2003	Sarkas et al. .... 204/164	
4,876,773	A *	10/1989	Wade ..... 5/600	D485,366	S *	1/2004	Hauville ..... D24/232
4,983,555	A	1/1991	Roy et al. .... 501/120	6,682,002	B2 1/2004	Kyotani ..... 239/318	
4,987,033	A	1/1991	Abkowitz et al. .... 428/469	6,689,192	B1 2/2004	Phillips et al. .... 75/342	
5,043,548	A	8/1991	Whitney et al. .... 219/121.84	6,699,398	B1 3/2004	Kim ..... 216/55	
5,073,193	A	12/1991	Chaklader et al. .... 75/346	6,706,097	B2 3/2004	Zornes ..... 96/153	
D323,707	S *	2/1992	Fay ..... D23/371	6,708,697	B1 *	3/2004	Ziff ..... 132/73
D325,078	S *	3/1992	Fay ..... D23/371	6,713,176	B2 3/2004	Yadav et al. .... 428/402	
5,095,925	A *	3/1992	Elledge et al. .... 422/292	6,716,525	B1 4/2004	Yadav et al. .... 428/402	
5,316,541	A *	5/1994	Fischer ..... 600/21	6,746,791	B2 6/2004	Yadav et al. .... 429/30	
5,316,733	A *	5/1994	Rune et al. .... 422/104	6,772,584	B2 8/2004	Chun et al. .... 60/275	
5,369,241	A	11/1994	Taylor et al. .... 219/121.47	6,786,950	B2 9/2004	Yadav et al. .... 75/346	
5,371,049	A	12/1994	Moffett et al. .... 501/89	6,793,617	B2 *	9/2004	Ford et al. .... 600/21
5,372,629	A	12/1994	Anderson et al. .... 75/332	6,813,931	B2 11/2004	Yadav et al. .... 73/31.05	
5,392,797	A	2/1995	Welch ..... 134/108	6,817,388	B2 11/2004	Tsangaris et al. .... 141/82	
D360,682	S *	7/1995	Gilkison et al. .... D23/371	6,832,735	B2 12/2004	Yadav et al. .... 241/16	
5,439,865	A	8/1995	Abe et al.	6,838,072	B1 1/2005	Kong et al. .... 423/594.2	
5,485,941	A	1/1996	Guyomard et al. .... 222/1	6,855,426	B2 2/2005	Yadav ..... 428/403	
5,534,149	A	7/1996	Birkenbeil et al.	6,855,749	B1 2/2005	Yadav et al. .... 523/105	
5,611,896	A	3/1997	Swanepoel et al. .... 204/169	6,886,545	B1 5/2005	Holm ..... 123/568.21	
5,630,322	A	5/1997	Heilmann et al. .... 62/95	6,896,958	B1 5/2005	Cayton et al. .... 428/323	
5,749,938	A	5/1998	Coombs ..... 75/332	6,902,699	B2 6/2005	Fritzemeier et al. .... 419/38	
5,776,359	A	7/1998	Schultz et al. .... 252/62.51	6,916,872	B2 7/2005	Yadav et al. .... 524/430	
5,788,738	A	8/1998	Pirzada et al. .... 75/331	6,919,527	B2 7/2005	Boulos et al. .... 219/121.52	
5,811,187	A	9/1998	Anderson et al. .... 428/403	6,933,331	B2 8/2005	Yadav et al. .... 523/210	
5,851,507	A	12/1998	Pirzada et al.	6,986,877	B2 1/2006	Takikawa et al. .... 423/447.3	
5,853,815	A	12/1998	Muehlberger ..... 427/446	6,994,837	B2 2/2006	Boulos et al. .... 423/613	
5,905,000	A	5/1999	Yadav et al. .... 429/33	7,007,872	B2 3/2006	Yadav et al. .... 241/1	
5,935,293	A	8/1999	Detering et al. .... 75/10.29	7,037,254	B2 *	5/2006	O'Connor et al. .... 600/21
5,989,648	A	11/1999	Phillips ..... 427/456	7,052,777	B2 5/2006	Brotzman, Jr. et al. .... 428/570	
5,993,967	A	11/1999	Brotzman, Jr. et al. .... 428/407	7,073,559	B2 7/2006	O'Larey et al. .... 164/76.1	
5,993,988	A	11/1999	Ohara et al. .... 429/40	7,081,267	B2 7/2006	Yadav ..... 427/115	
D419,241	S *	1/2000	Northcott ..... D24/234	7,101,819	B2 9/2006	Rosenflanz et al. .... 501/10	
6,012,647	A	1/2000	Ruta et al. .... 239/132.1	7,147,544	B2 12/2006	Rosenflanz ..... 451/28	
6,033,781	A	3/2000	Brotzman, Jr. et al. .... 428/405	7,147,894	B2 12/2006	Zhou et al. .... 427/256	
6,059,853	A	5/2000	Coombs ..... 75/332	7,166,198	B2 1/2007	Van Der Walt et al. .... 204/165	
6,102,106	A	8/2000	Manning et al. .... 165/76	7,166,663	B2 1/2007	Cayton et al. .... 524/430	
6,106,403	A *	8/2000	Zemel ..... 472/126	7,172,649	B2 2/2007	Conrad et al. .... 106/35	
6,214,195	B1	4/2001	Yadav et al. .... 205/334	7,178,747	B2 2/2007	Yadav et al. .... 241/23	
6,228,904	B1	5/2001	Yadav et al. .... 523/210	7,208,126	B2 4/2007	Musick et al. .... 423/69	
6,254,940	B1	7/2001	Pratsinis et al. .... 427/562	7,211,236	B2 5/2007	Stark et al. .... 423/592.1	
6,261,484	B1	7/2001	Phillips et al. .... 264/5	7,217,407	B2 5/2007	Zhang ..... 423/610	
6,267,864	B1	7/2001	Yadav et al. .... 205/341	7,220,398	B2 5/2007	Sutorik et al.	
6,344,271	B1	2/2002	Yadav et al. .... 428/402	D555,803	S *	11/2007	Garito et al. .... D24/234
6,379,419	B1	4/2002	Celik et al. .... 75/346	7,307,195	B2 12/2007	Polverejan et al. .... 585/443	
6,387,560	B1	5/2002	Yadav et al. .... 429/45	7,323,655	B2 1/2008	Kim ..... 219/121.43	
6,395,214	B1	5/2002	Kear et al. .... 264/434	7,384,447	B2 6/2008	Kodas et al. .... 75/332	
6,398,843	B1	6/2002	Tarrant ..... 75/249	2002/0068026	A1 6/2002	Murrell et al.	
6,409,851	B1	6/2002	Sethuram et al. .... 148/565	2002/0079620	A1 6/2002	DuBuis et al. .... 264/328.14	
6,413,781	B1	7/2002	Geis et al.	2003/0036786	A1 2/2003	Duren et al. .... 607/96	
6,416,818	B1	7/2002	Aikens et al. .... 427/383.1	2003/0108459	A1 6/2003	Wu et al. .... 422/186.04	
RE37,853	E	9/2002	Detering et al. .... 75/10.19	2003/0223546	A1 12/2003	McGregor et al. .... 378/143	
6,444,009	B1	9/2002	Liu et al. .... 75/332	2004/0009118	A1 1/2004	Phillips et al.	
6,517,800	B1	2/2003	Cheng et al. .... 423/447.1	2004/0103751	A1 6/2004	Joseph et al. .... 75/10.19	
6,524,662	B2	2/2003	Jang et al. .... 427/535	2004/0167009	A1 8/2004	Kuntz et al. .... 501/95.2	
6,531,704	B2	3/2003	Yadav et al. .... 250/493.1	2004/0251017	A1 12/2004	Pillion et al. .... 165/289	
6,554,609	B2	4/2003	Yadav et al. .... 432/9	2005/0000950	A1 1/2005	Schroder et al. .... 219/121.59	
6,562,495	B2	5/2003	Yadav et al. .... 429/12	2005/0077034	A1 4/2005	King ..... 165/163	
6,569,397	B1	5/2003	Yadav et al. .... 423/345	2005/0220695	A1 10/2005	Abatzoglou et al.	
6,569,518	B2	5/2003	Yadav et al. .... 428/323	2005/0233380	A1 10/2005	Pesiri et al. .... 435/7.1	
D475,465	S *	6/2003	Garcia ..... D24/232	2006/0051505	A1 3/2006	Kortshagen et al. .... 427/212	
6,572,672	B2	6/2003	Yadav et al. .... 75/343	2006/0068989	A1 3/2006	Ninomiya et al.	
6,596,187	B2	7/2003	Coll et al.	2006/0096393	A1 5/2006	Pesiri ..... 73/863.21	
6,603,038	B1	8/2003	Hagemeyer et al.	2006/0108332	A1 5/2006	Belashchenko ..... 219/121.47	
6,607,821	B2	8/2003	Yadav et al. .... 428/323	2006/0153728	A1 7/2006	Schoenung et al.	
6,610,355	B2	8/2003	Yadav et al. .... 427/115	2006/0159596	A1 7/2006	De La Veaux et al. .... 422/151	
6,635,357	B2	10/2003	Moxson et al. .... 428/548	2007/0063364	A1 3/2007	Hsiao et al. .... 264/5	
				2007/0084308	A1 4/2007	Nakamura et al. .... 75/346	
				2007/0084834	A1 4/2007	Hanus et al. .... 219/121.5	

2007/0087934 A1 4/2007 Martens et al. .... 502/214

OTHER PUBLICATIONS

J. Heberlein, "New Approaches in Thermal Plasma Technology", *Pure Appl. Chem.*, vol. 74, No. 3, 2002, pp. 327-335.

T. Yoshida, "The Future of Thermal Plasma Processing for Coating", *Pure & Appl. Chem.*, vol. 66, No. 6, 1994 pp. 1223-1230.

A. Gutsch et al., "Gas-Phase Production of Nanoparticles", *Kona* No. 20, 2002, pp. 24-37.

Dr. Heike Mühlenweg et al., "Gas-Phase Reactions—Open Up New Roads to Nanoproducs", *Degussa ScienceNewsletter* No. 08, 2004, pp. 12-16.

Coating Generation: Vaporization of Particles in Plasma Spraying and Splat Formation, M. Vardelle, A. Vardelle, K-I Ii, P. Fauchais, *Universite de Limoges*, 123 Avenue A. Thomas 87000, Limoges, F. , *Pure & Chem*, vol. 68, No. 5, pp. 1093-1099, 1996.

Kevin et al. "Supported Catalysts Prepared from Mononuclear Copper Complexes: Catalytic Properties", *Journal of Catalysis*, pp. 81-91.

National Aeronautics and Space Administration, "Enthalpy", <http://www.grc.nasa.gov/WWW/K-12/airplane/enthalpy.html>, Nov. 23, 2009, 1 page.

\* cited by examiner

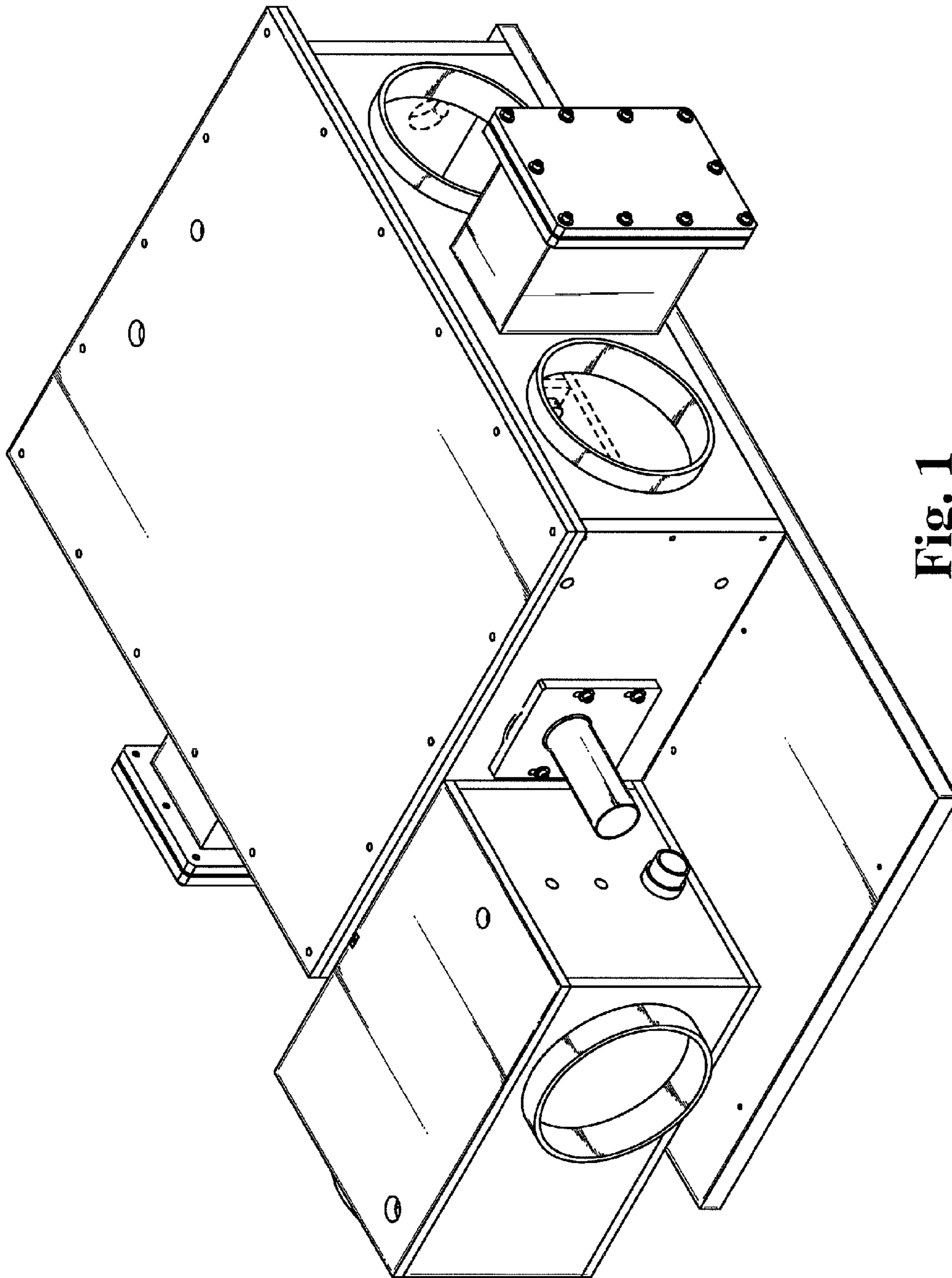


Fig. 1

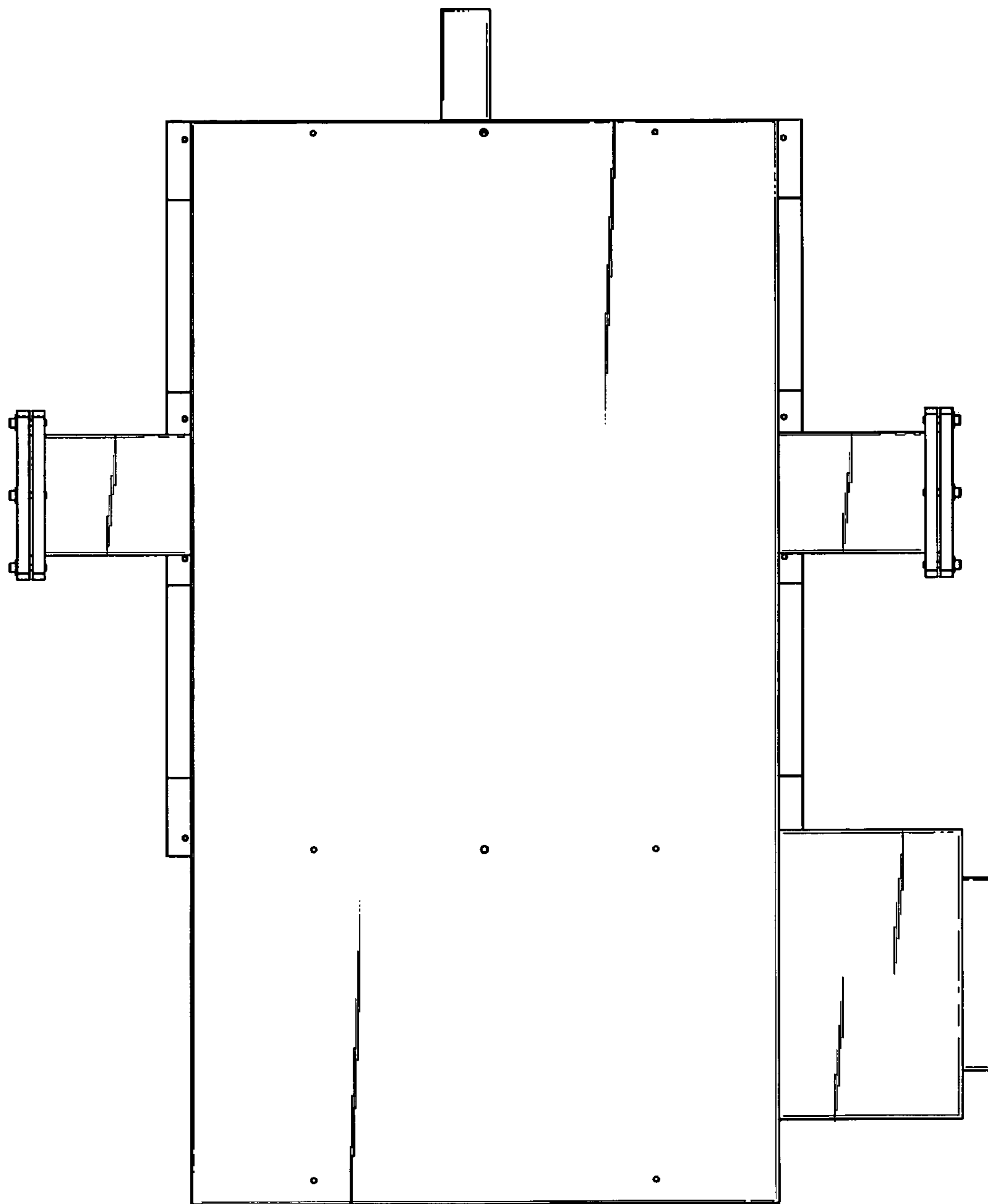


Fig. 2

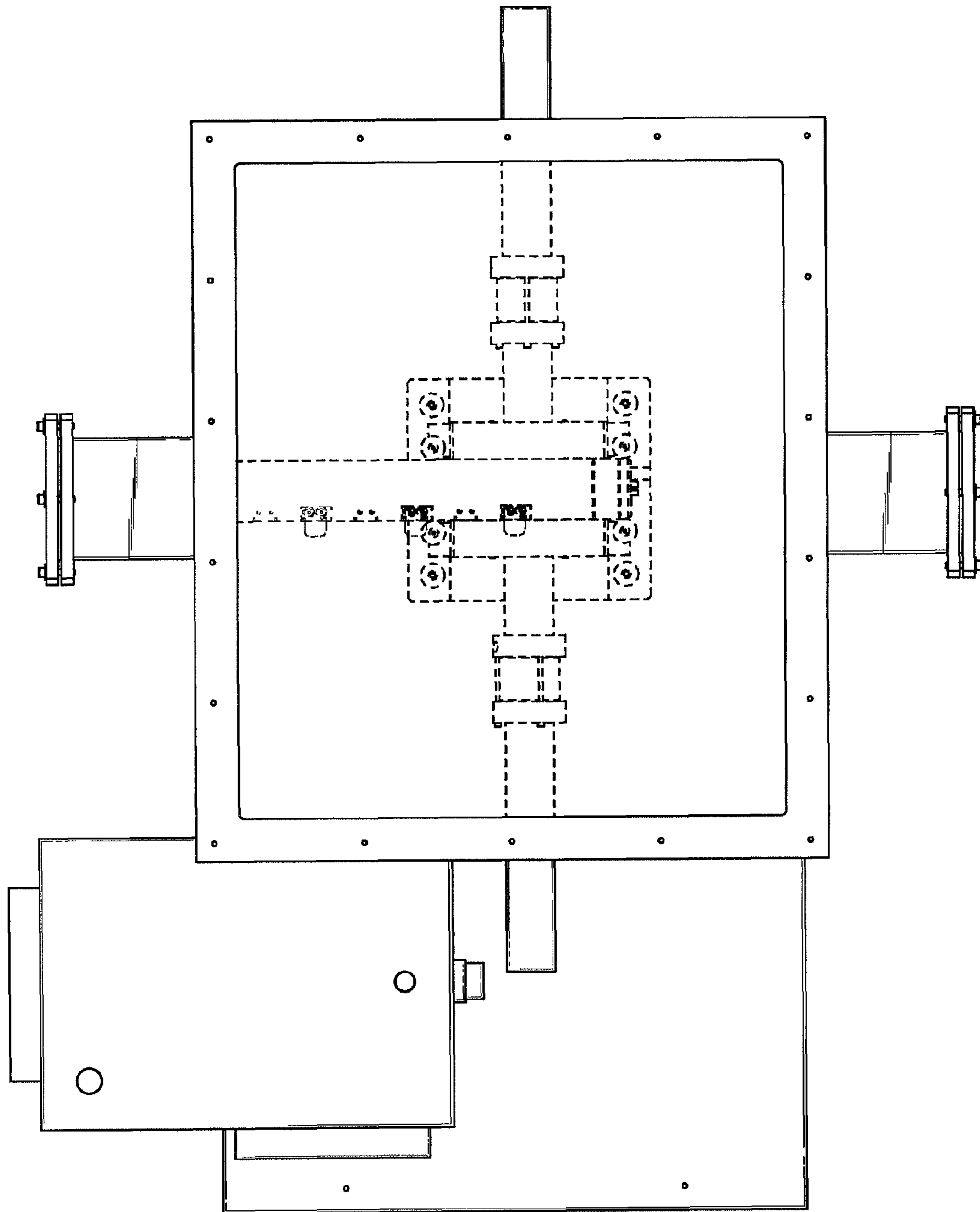


Fig. 3

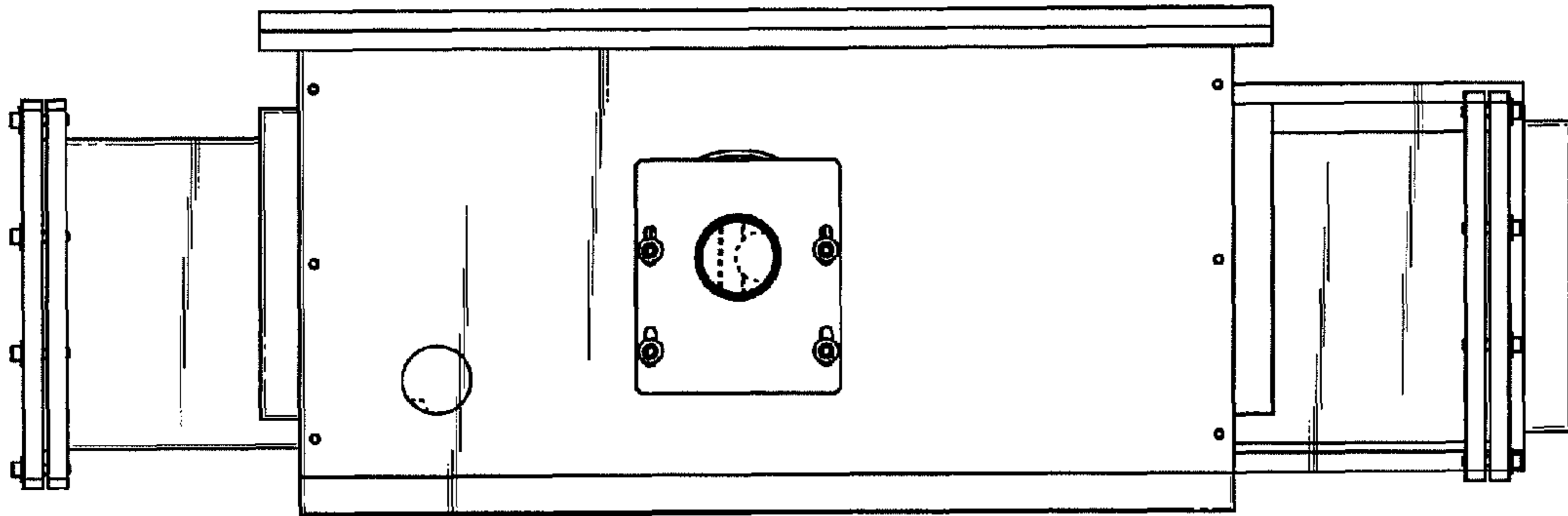


Fig. 4

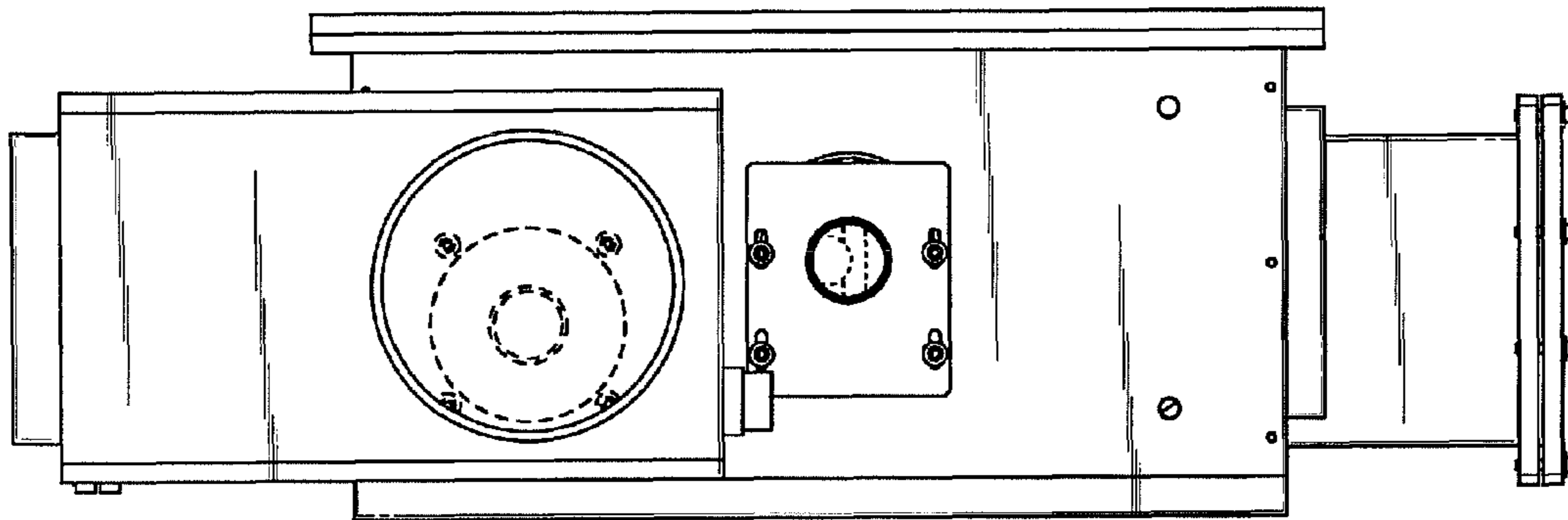
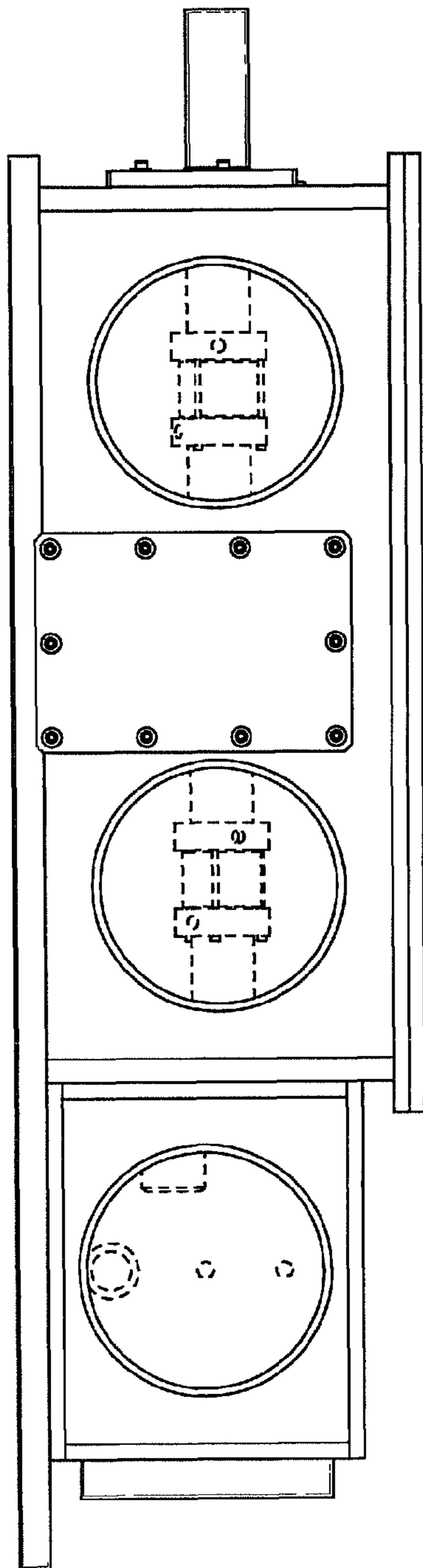
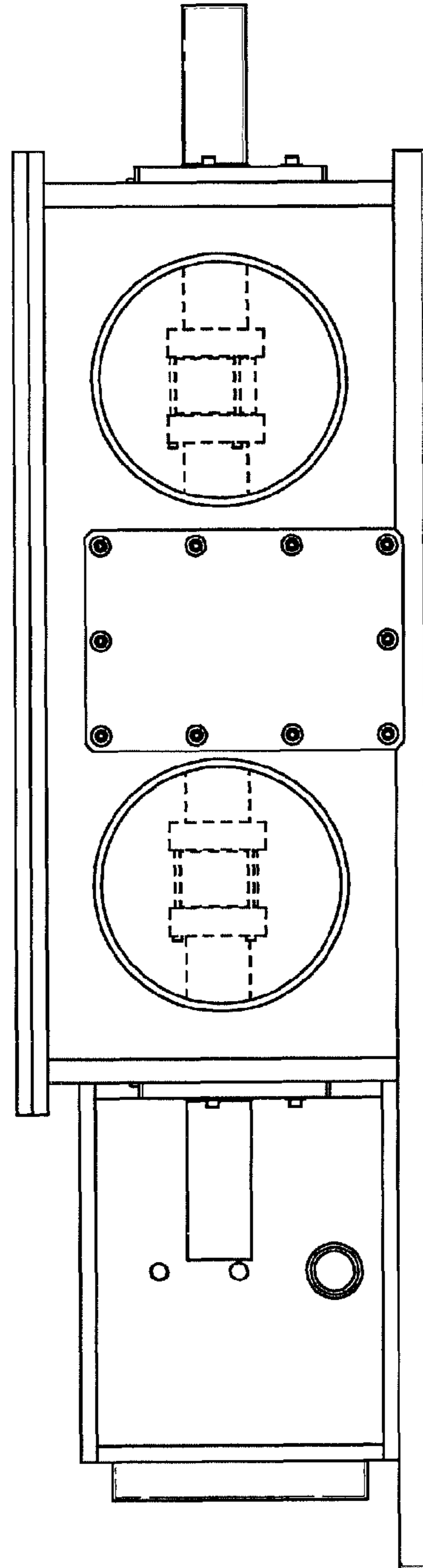


Fig. 5



**Fig. 6**



**Fig. 7**