



US00D627899S

(12) **United States Design Patent**
Cofie

(10) **Patent No.:** **US D627,899 S**

(45) **Date of Patent:** **** Nov. 23, 2010**

(54) **SPECIMEN CUP LID WITH SPIGOT**

(76) **Inventor:** **Daniel Cofie**, 9016 Anderton Springs
Dr., Bartlett, TN (US) 38133

(**) **Term:** **14 Years**

(21) **Appl. No.:** **29/316,729**

(22) **Filed:** **Oct. 26, 2009**

(51) **LOC (9) Cl.** **24-01**

(52) **U.S. Cl.** **D24/224**

(58) **Field of Classification Search** D24/216,
D24/222-226, 227, 231, 232, 121; 422/99,
422/102; D7/392; D9/503, 504, 434, 435,
D9/436, 447, 454; 220/740; 215/224, 228

See application file for complete search history.

(56) **References Cited**

U.S. PATENT DOCUMENTS

2,142,278	A	1/1939	Mendelson	
D310,777	S *	9/1990	Ross et al.	D9/536
D325,170	S *	4/1992	Frantz	D9/447
D340,518	S *	10/1993	Stahmer et al.	D24/121
D360,943	S *	8/1995	Lafond	D24/122
5,579,961	A	12/1996	Zimmerman	
5,904,677	A	5/1999	Drummey	
6,054,099	A	4/2000	Levy	
6,931,821	B2	8/2005	Wong	

D538,166	S *	3/2007	Bertin et al.	D9/527
D544,797	S *	6/2007	Wilson et al.	D9/520
2006/0049277	A1 *	3/2006	Joseph et al.	239/302
2009/0241584	A1 *	10/2009	Hayes et al.	220/592.18

* cited by examiner

Primary Examiner—T. Chase Nelson

Assistant Examiner—Anhdao Doan

(74) *Attorney, Agent, or Firm*—Randal D. Homburg

(57) **CLAIM**

The ornamental design for a specimen cup lid with spigot, as shown and described.

DESCRIPTION

FIG. 1 is a perspective view of a specimen cup lid with spigot shown with the broken lines indicating the environment upon which the lid is to be used;

FIG. 2 is a top view thereof;

FIG. 3 is a bottom view thereof;

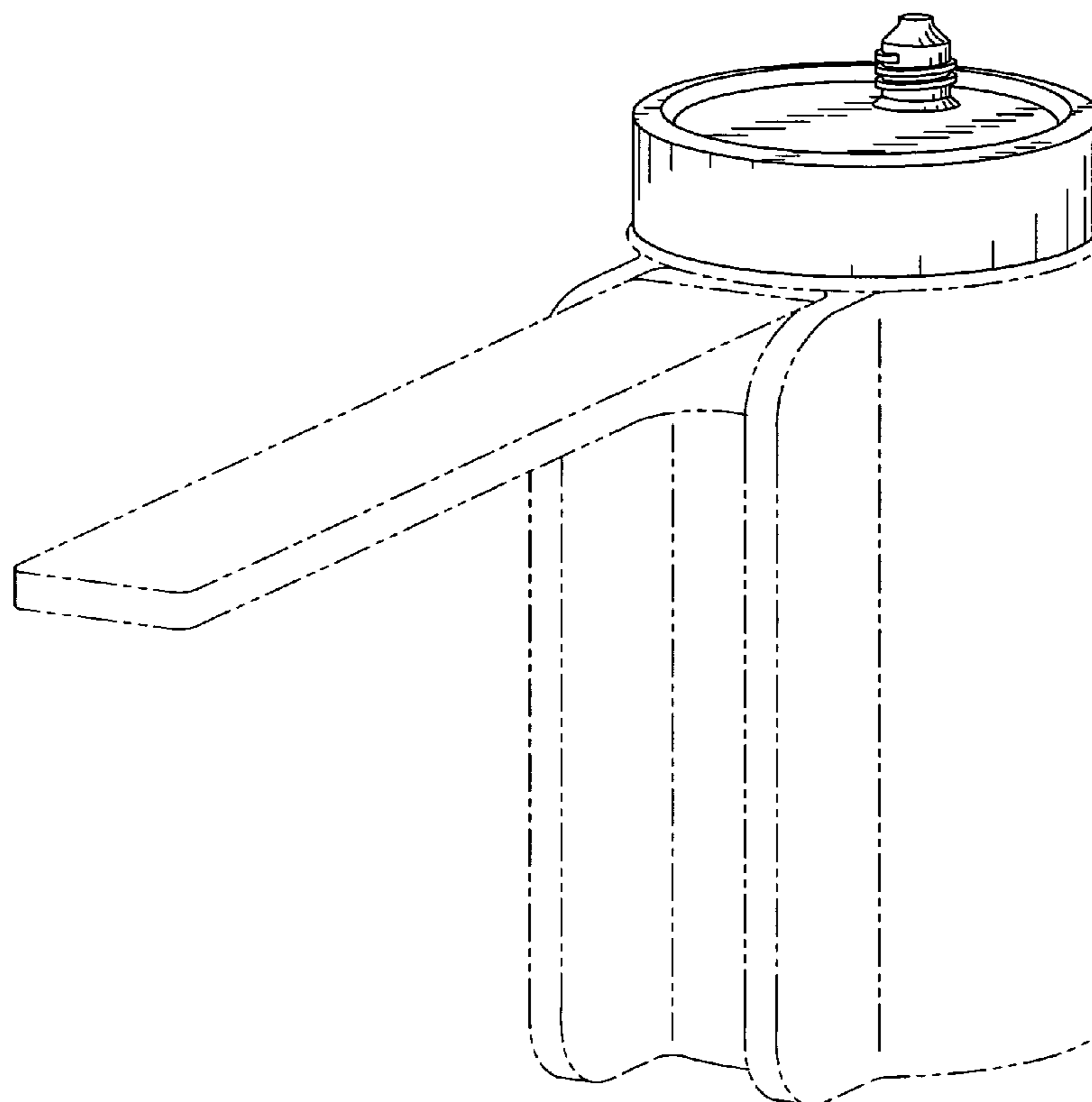
FIG. 4 is a front view thereof;

FIG. 5 is a rear view thereof;

FIG. 6 is a right side view thereof; and,

FIG. 7 is a left side view thereof.

1 Claim, 2 Drawing Sheets



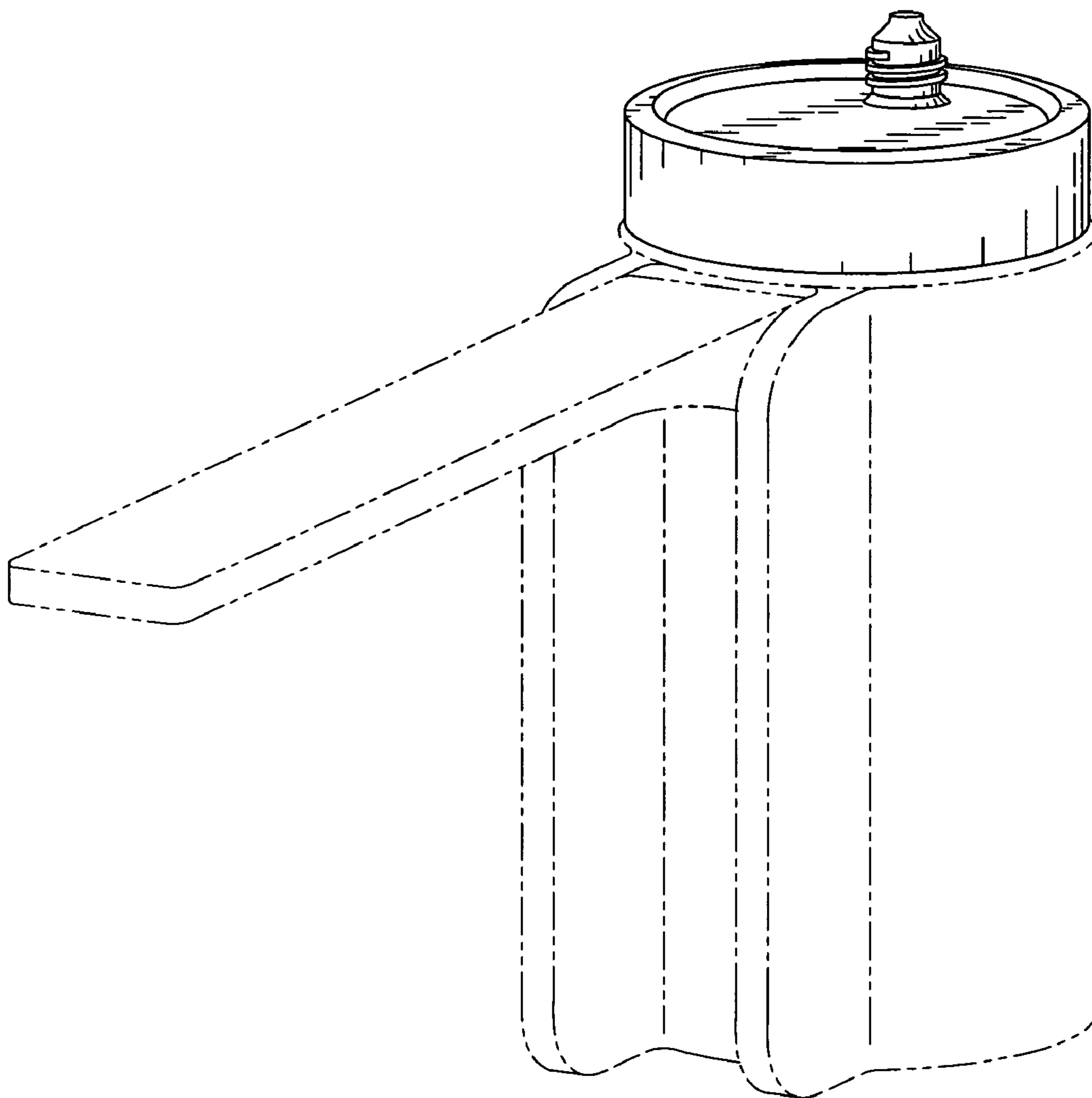


FIG. 1

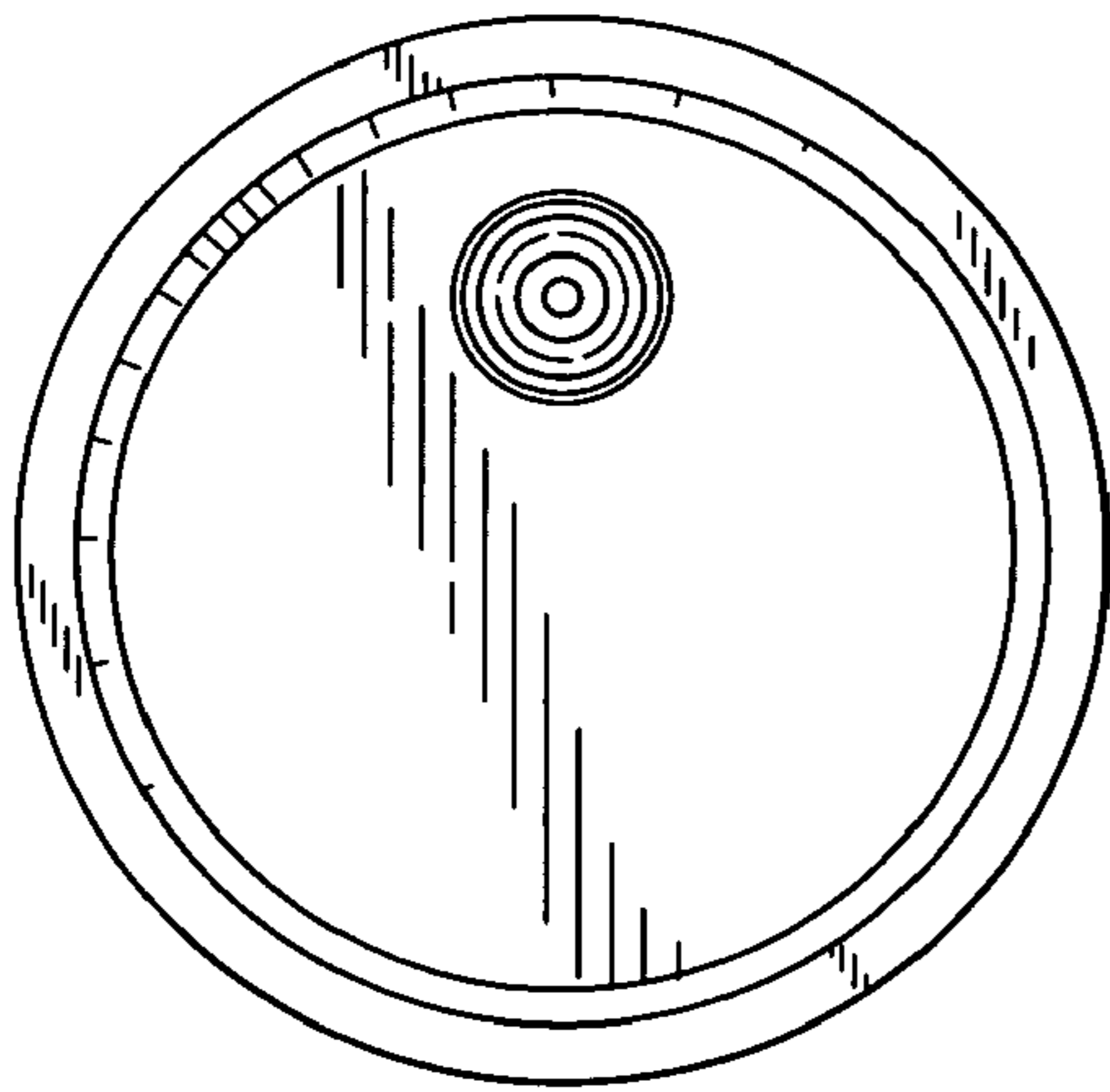


FIG. 2

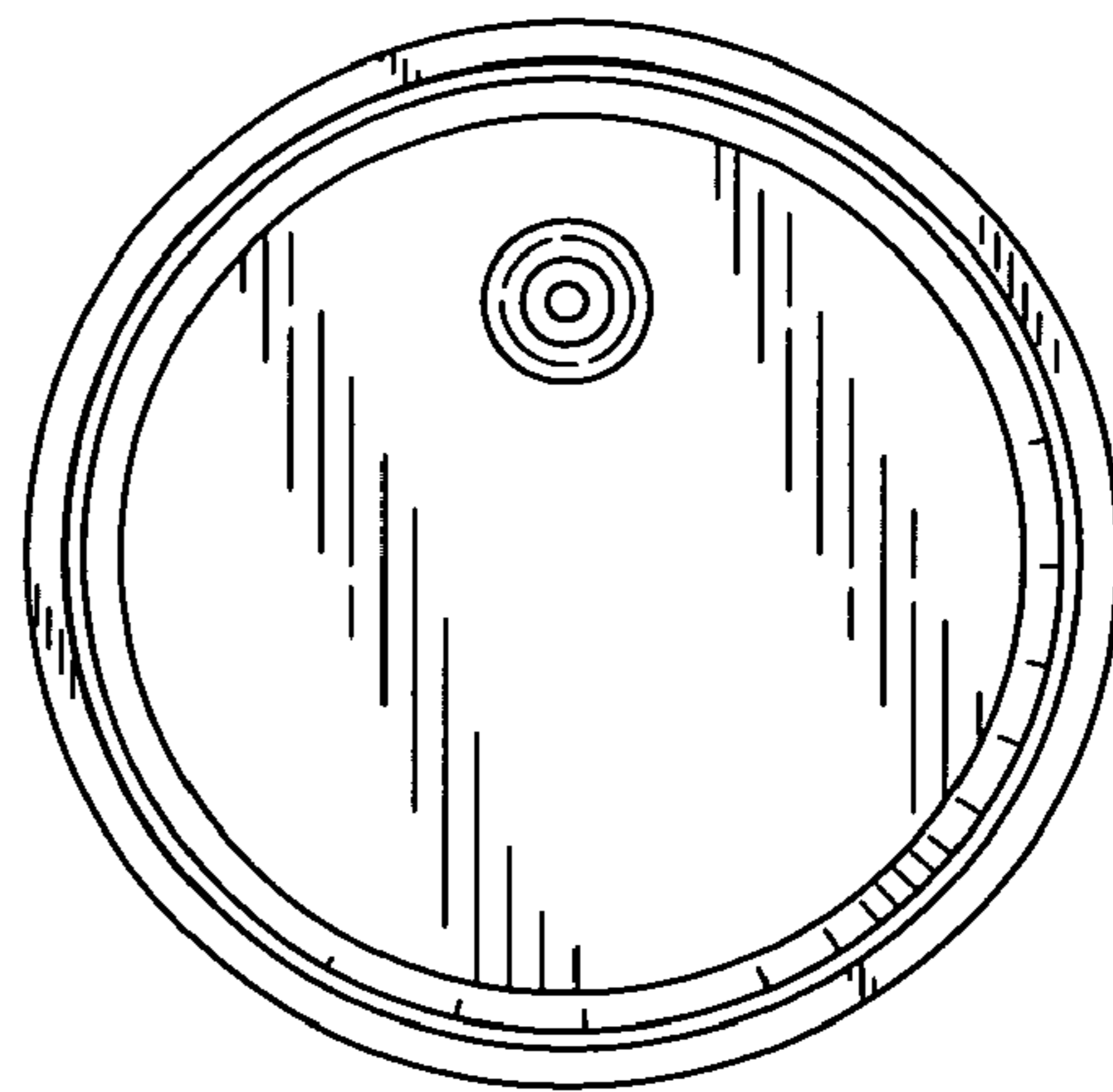


FIG. 3

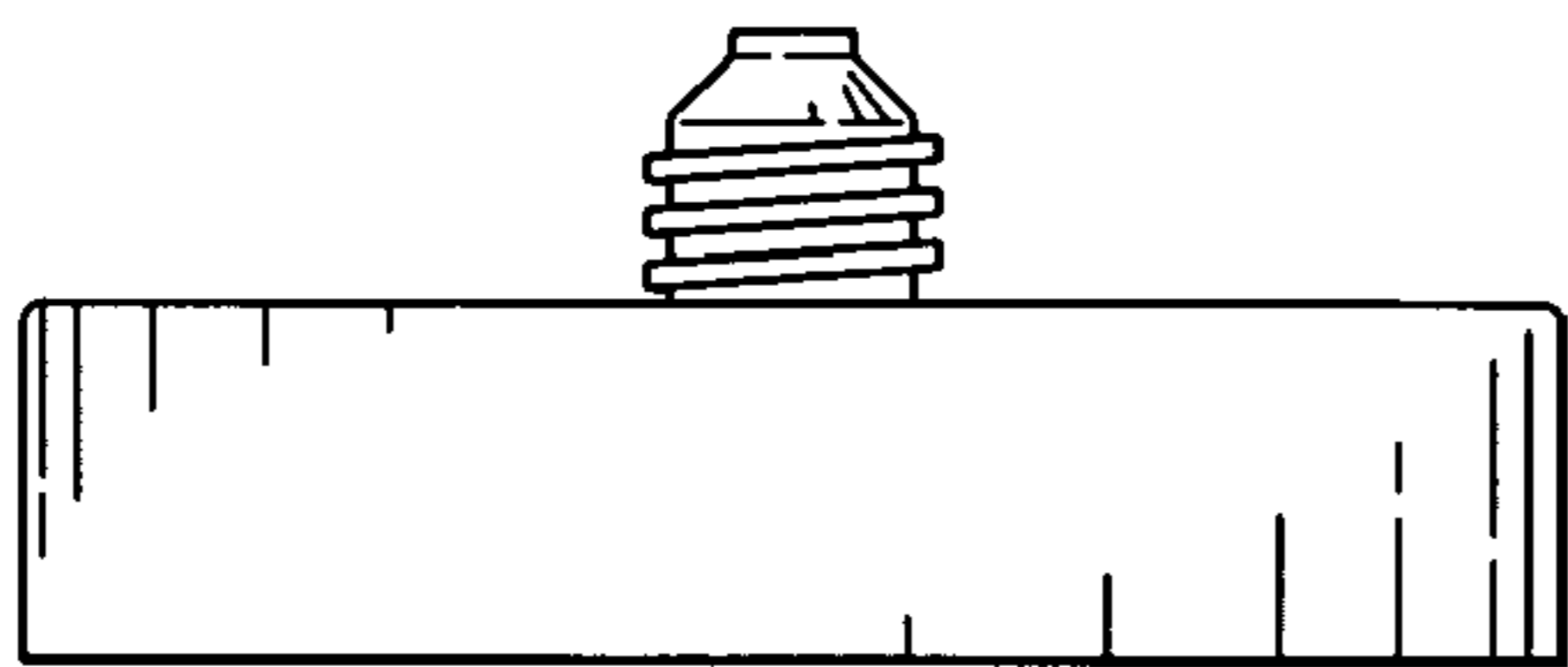


FIG. 4

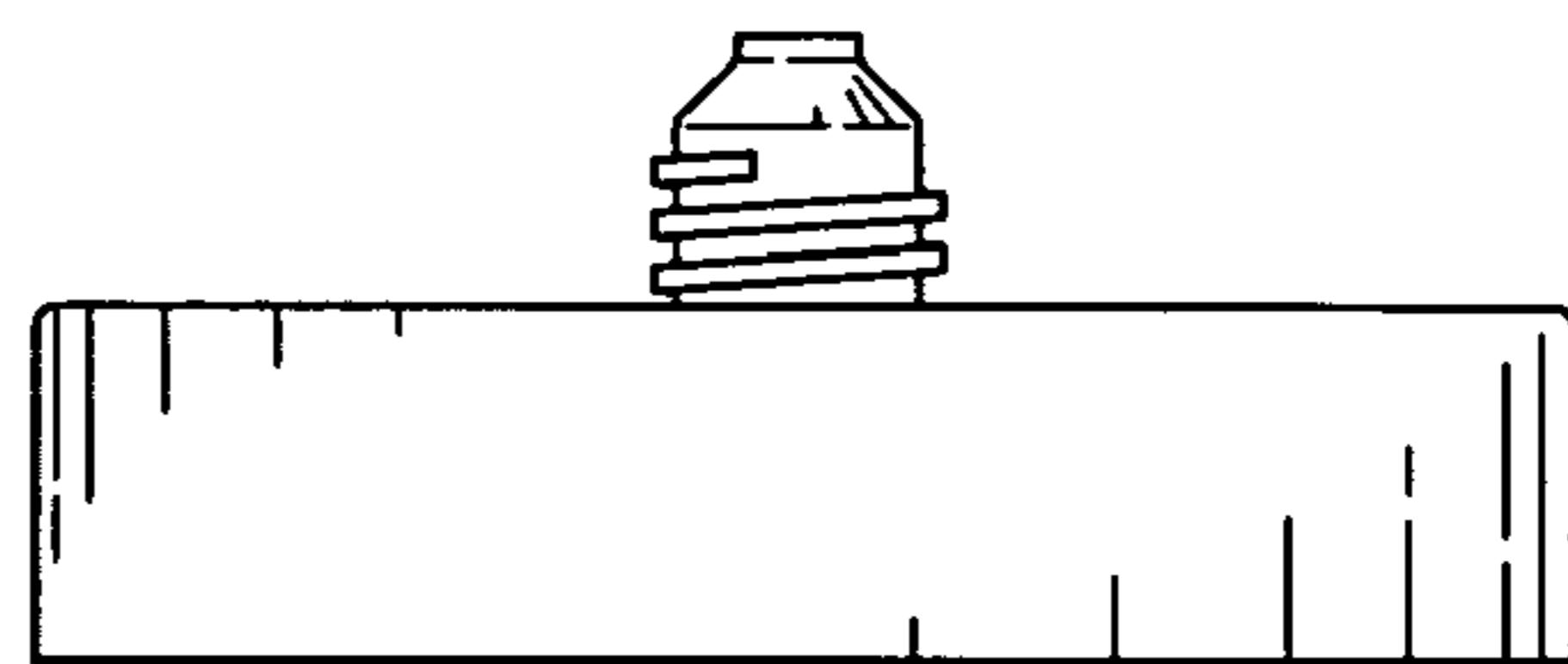


FIG. 5

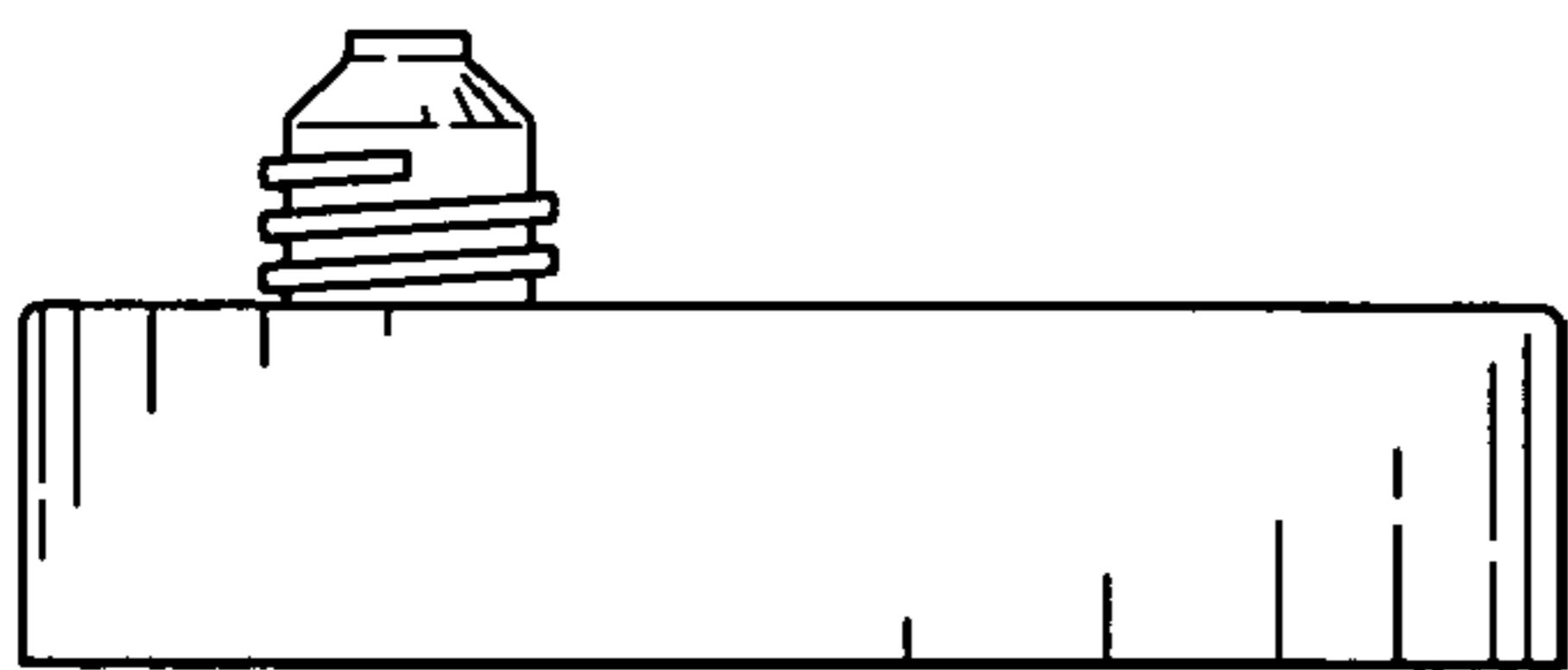


FIG. 6

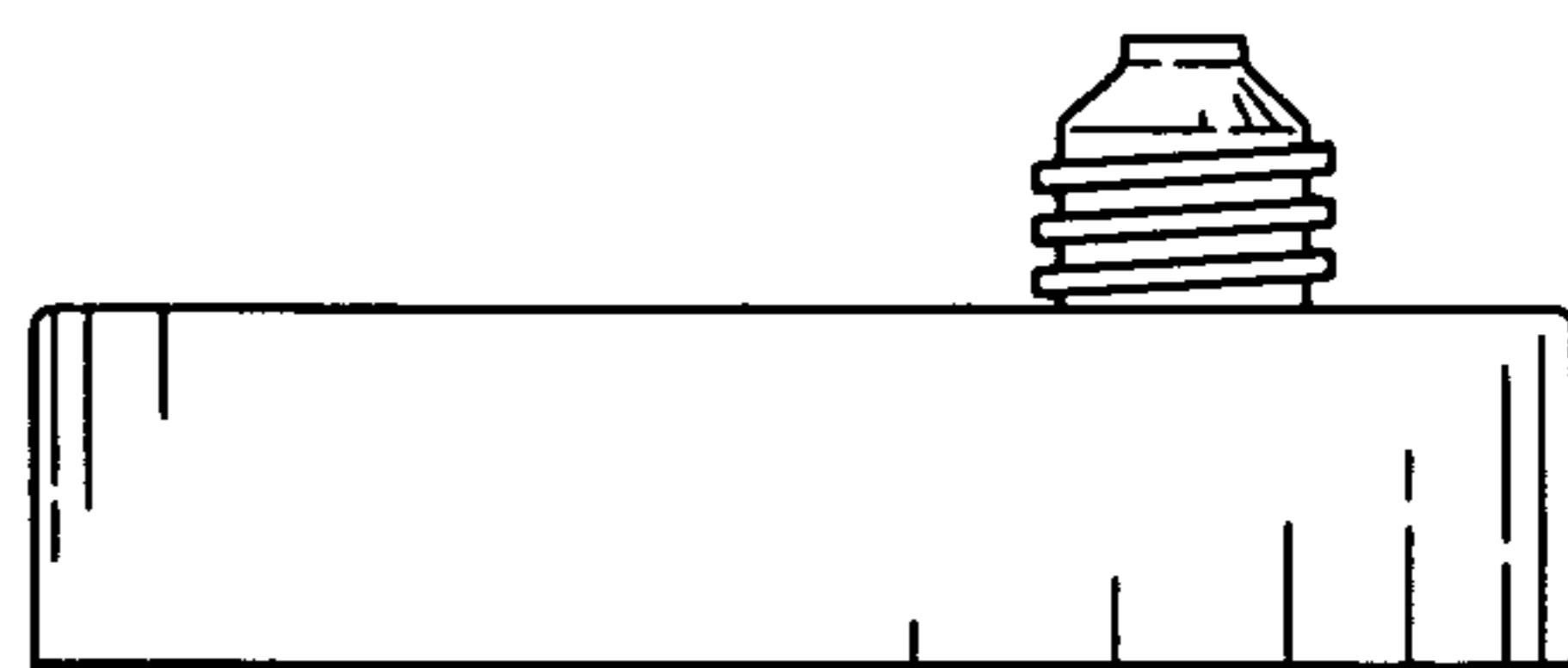


FIG. 7