



US00D627895S

(12) **United States Design Patent**
Pheil et al.

(10) **Patent No.:** **US D627,895 S**

(45) **Date of Patent:** **** Nov. 23, 2010**

(54) **BABY BOTTLE**

(76) Inventors: **Natan Pheil**, 1928 N. Darmen Ave., Rear #2, Chicago, IL (US) 60647; **Martin Rathgeber**, 2212 N. Rockwell St., Chicago, IL (US) 60647; **Craig Sirota**, 950 Gage La., Lake Forest, IL (US) 60045

(**) Term: **14 Years**

(21) Appl. No.: **29/340,790**

(22) Filed: **Jul. 24, 2009**

(51) **LOC (9) Cl.** **07-01**

(52) **U.S. Cl.** **D24/197**

(58) **Field of Classification Search** D24/193–198; D9/500, 503–504, 547, 444–445, 454; D7/510–511, D7/533–534; 215/6, 10, 11.1–11.6, 12.1, 215/13.1, 255–256, 378; 220/703, 720
See application file for complete search history.

(56) **References Cited**

U.S. PATENT DOCUMENTS

803,590	A	11/1905	Herb	
1,118,134	A	11/1914	Jones	
1,998,646	A	4/1935	Yager	
1,999,581	A	4/1935	Yager	
2,043,718	A	6/1936	Tauf	
2,434,611	A	1/1948	Hamiel	
2,434,612	A	1/1948	Hamiel	
2,610,755	A	9/1952	Gits	
2,749,566	A *	6/1956	Thomas	401/213
3,022,914	A	2/1962	Marsh et al.	
D233,829	S *	12/1974	Balbach et al.	D9/503
4,613,050	A	9/1986	Atkins et al.	
5,316,160	A *	5/1994	Cautereels	215/11.1
D350,899	S *	9/1994	Vasas	D9/503

D368,528	S *	4/1996	Allegre	D24/197
6,286,697	B1	9/2001	Gasparini	
D476,570	S *	7/2003	Silvers	D9/500
D476,894	S *	7/2003	Masotta et al.	D9/503
D488,064	S *	4/2004	Crawford	D9/502
D499,337	S *	12/2004	Wadalawala et al.	D9/500
D504,822	S *	5/2005	Wadalawala et al.	D9/503
D505,329	S *	5/2005	Wadalawala et al.	D9/503
7,347,337	B2 *	3/2008	Schultheis et al.	215/11.1
D602,369	S *	10/2009	Potts et al.	D9/547
D605,949	S *	12/2009	Potts et al.	D9/547
7,632,457	B2 *	12/2009	Calvert et al.	422/1

* cited by examiner

Primary Examiner—Susan E Krakower

(74) *Attorney, Agent, or Firm*—Amin Talati, LLC; Janine A. Moderson; Brian M. Wishnow

(57) **CLAIM**

The ornamental design for a baby bottle, as shown and described.

DESCRIPTION

FIG. 1 is a top, rear perspective view of a baby bottle showing my design;

FIG. 2 is a rear elevational view thereof;

FIG. 3 is a front elevational view thereof;

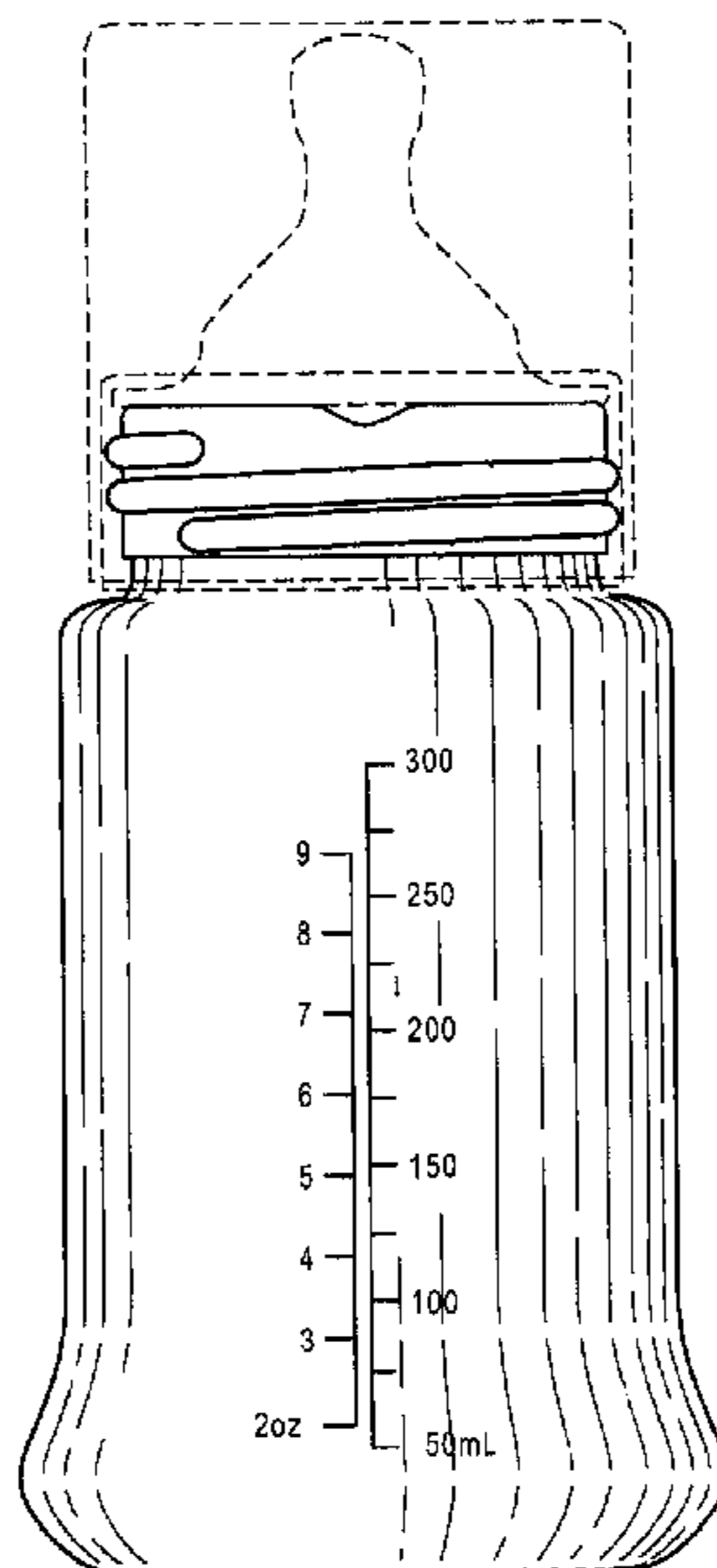
FIG. 4 is a side elevational view thereof, viewed from the left, rear;

FIG. 5 is a top plan view thereof; and,

FIG. 6 is a bottom plan view thereof.

The broken lines showing a cap, a nipple and a nipple seating ring illustrate environmental elements of the baby bottle which forms no part of the claimed design.

1 Claim, 5 Drawing Sheets



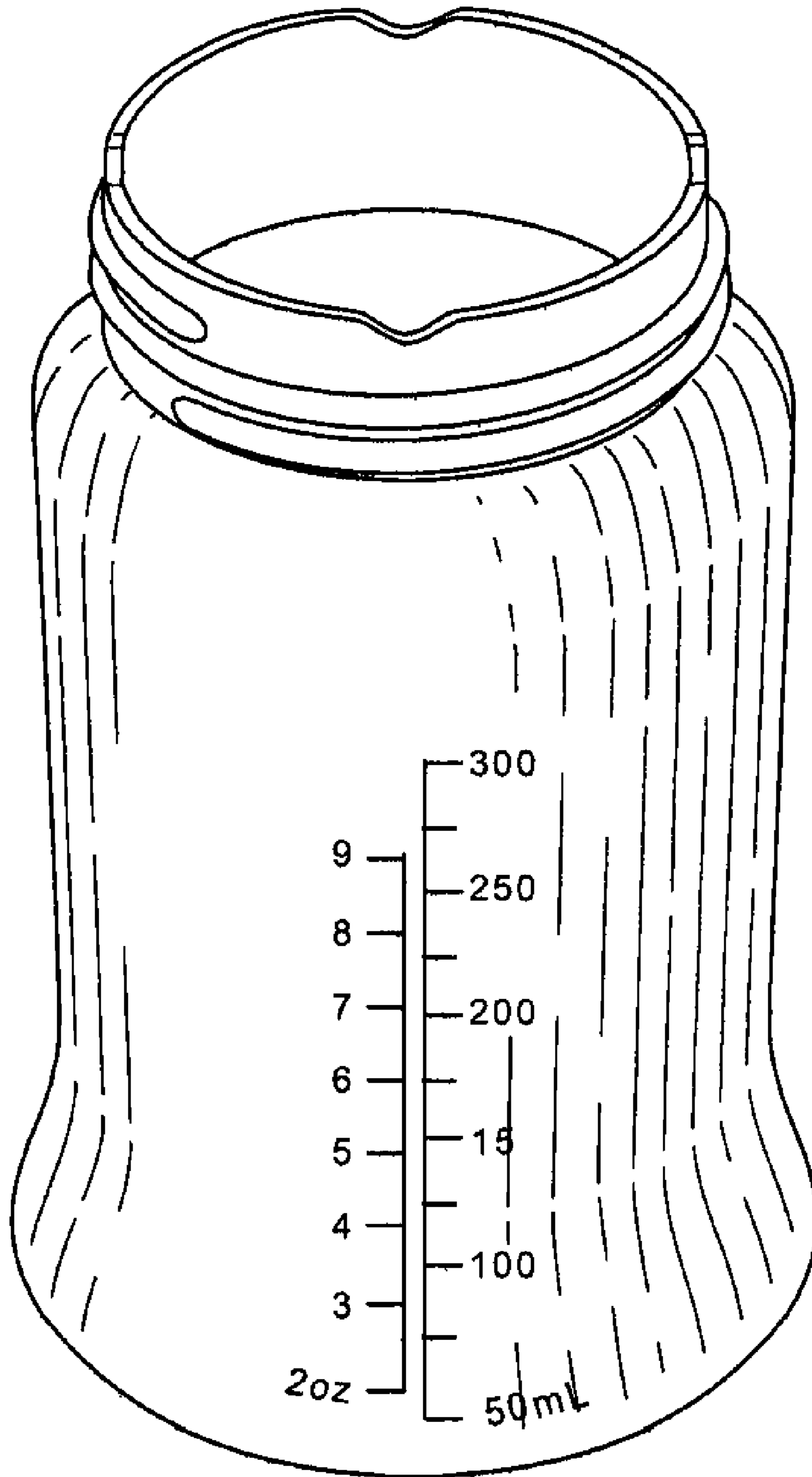


FIG. 1

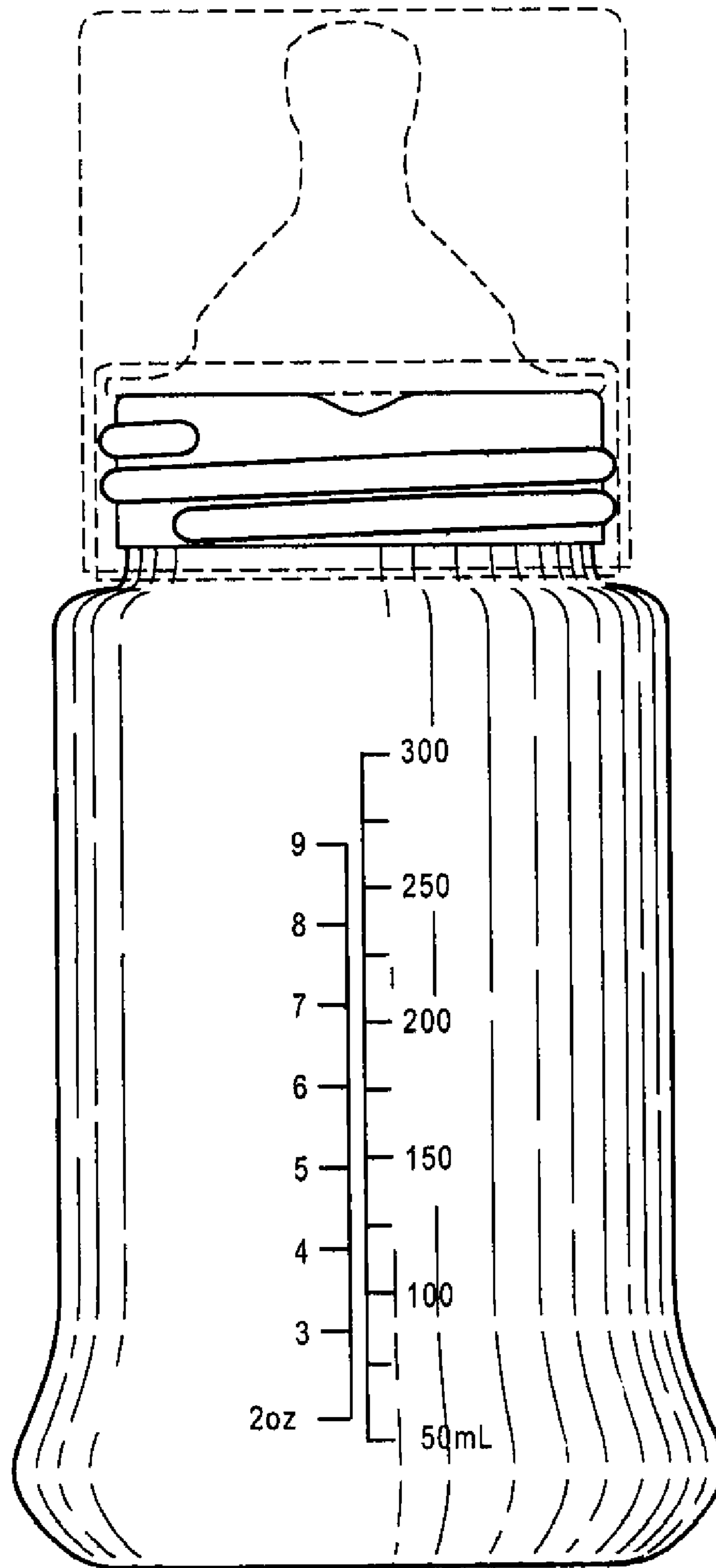


FIG. 2

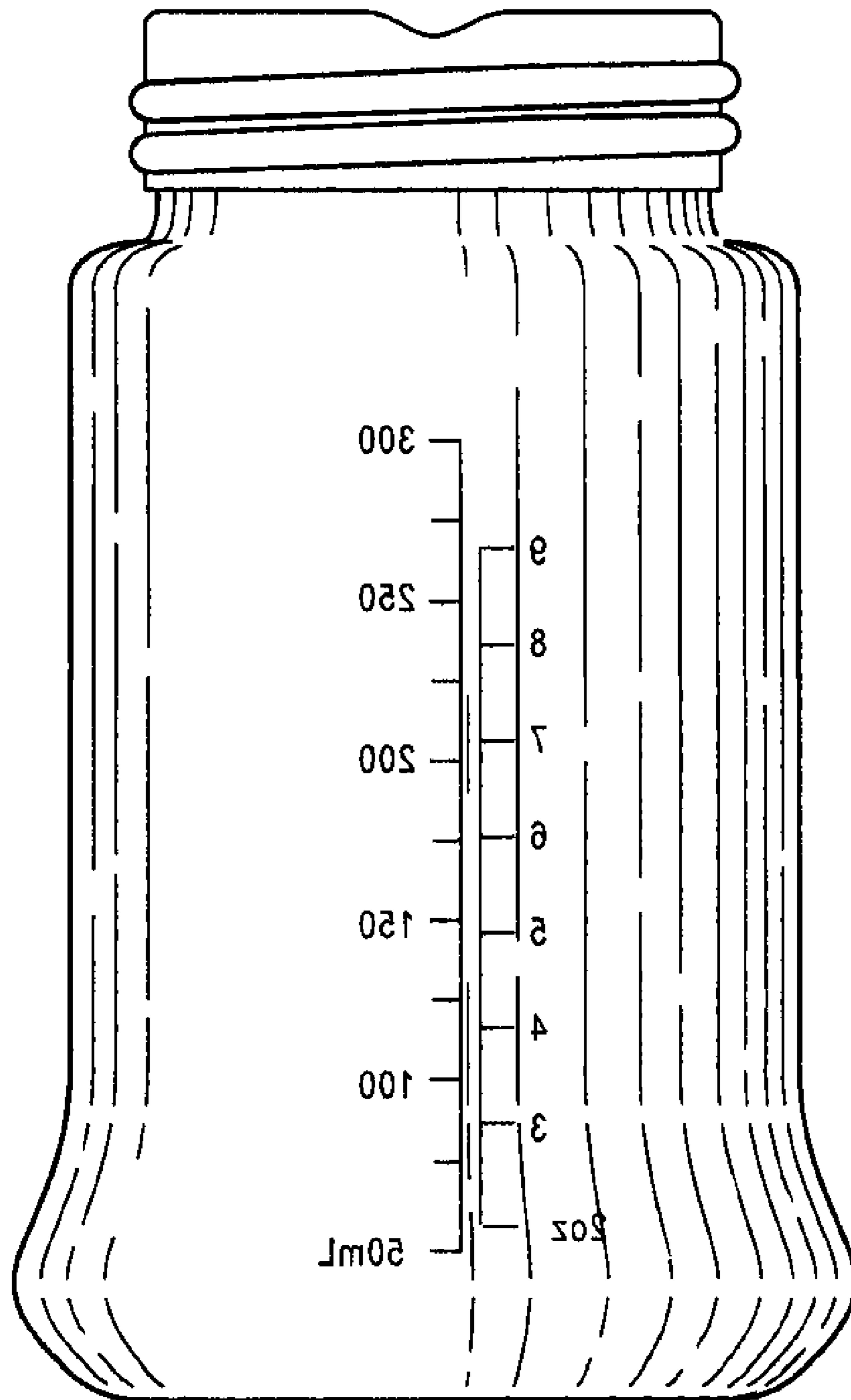


FIG. 3

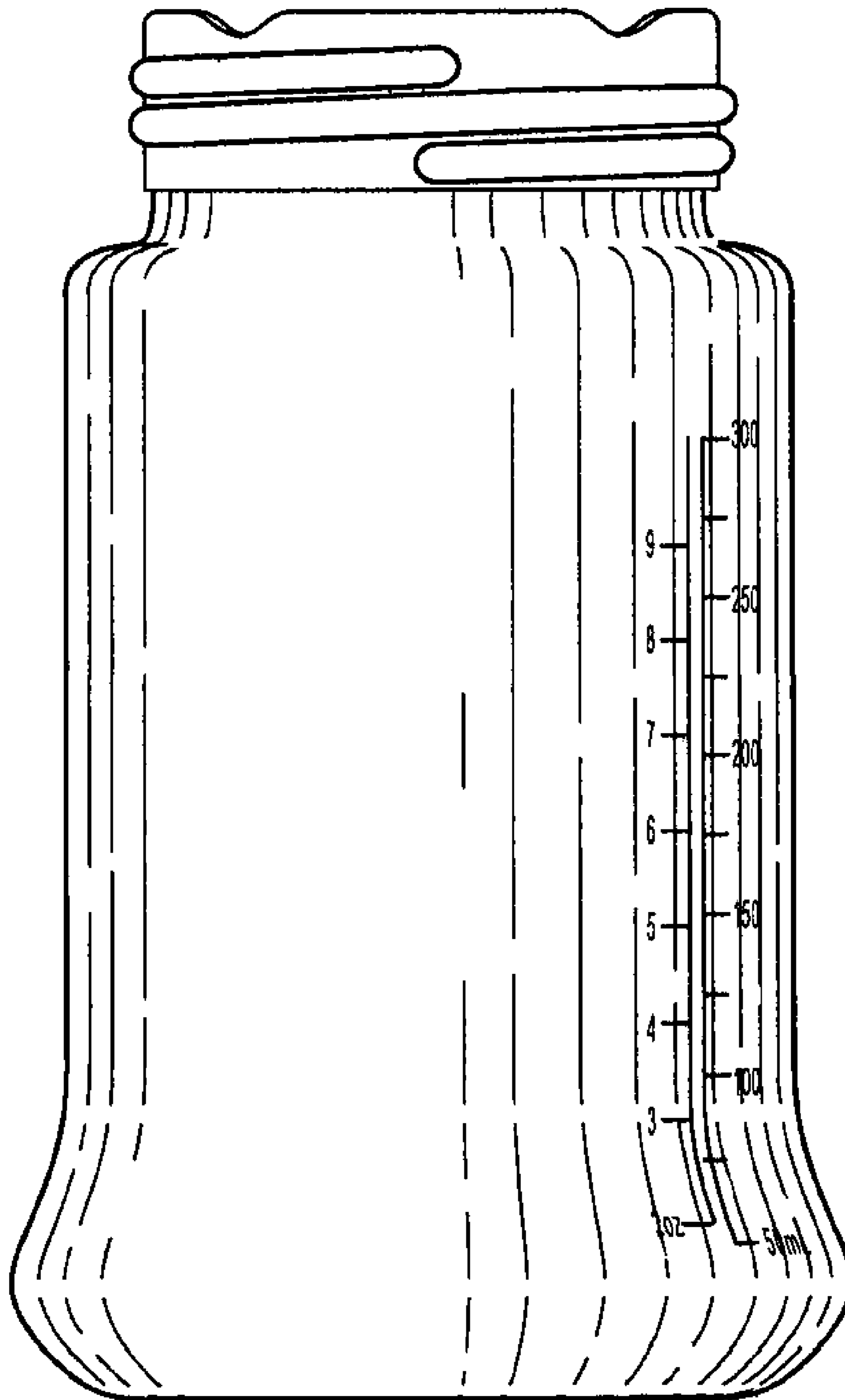


FIG. 4

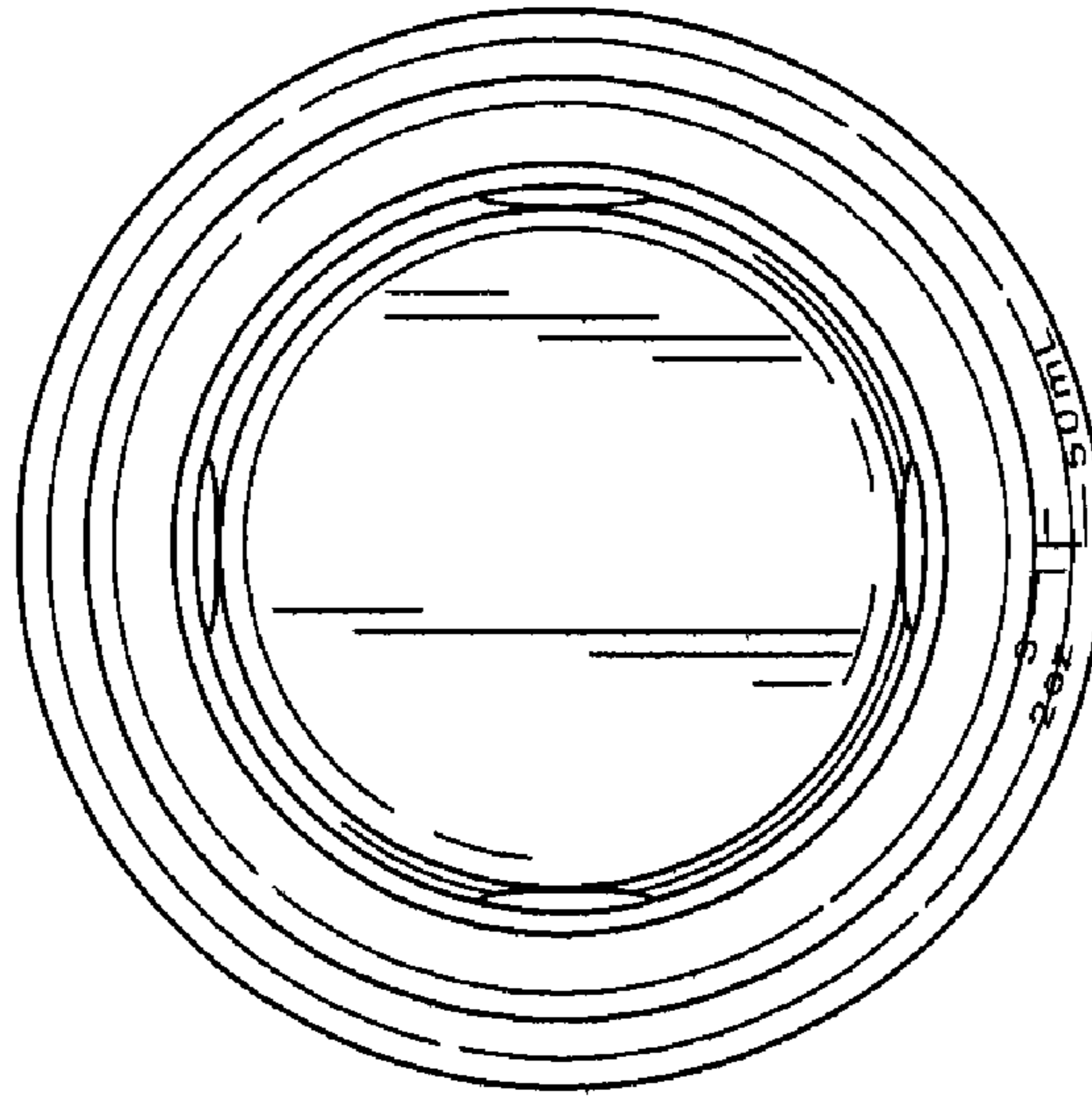


FIG. 5

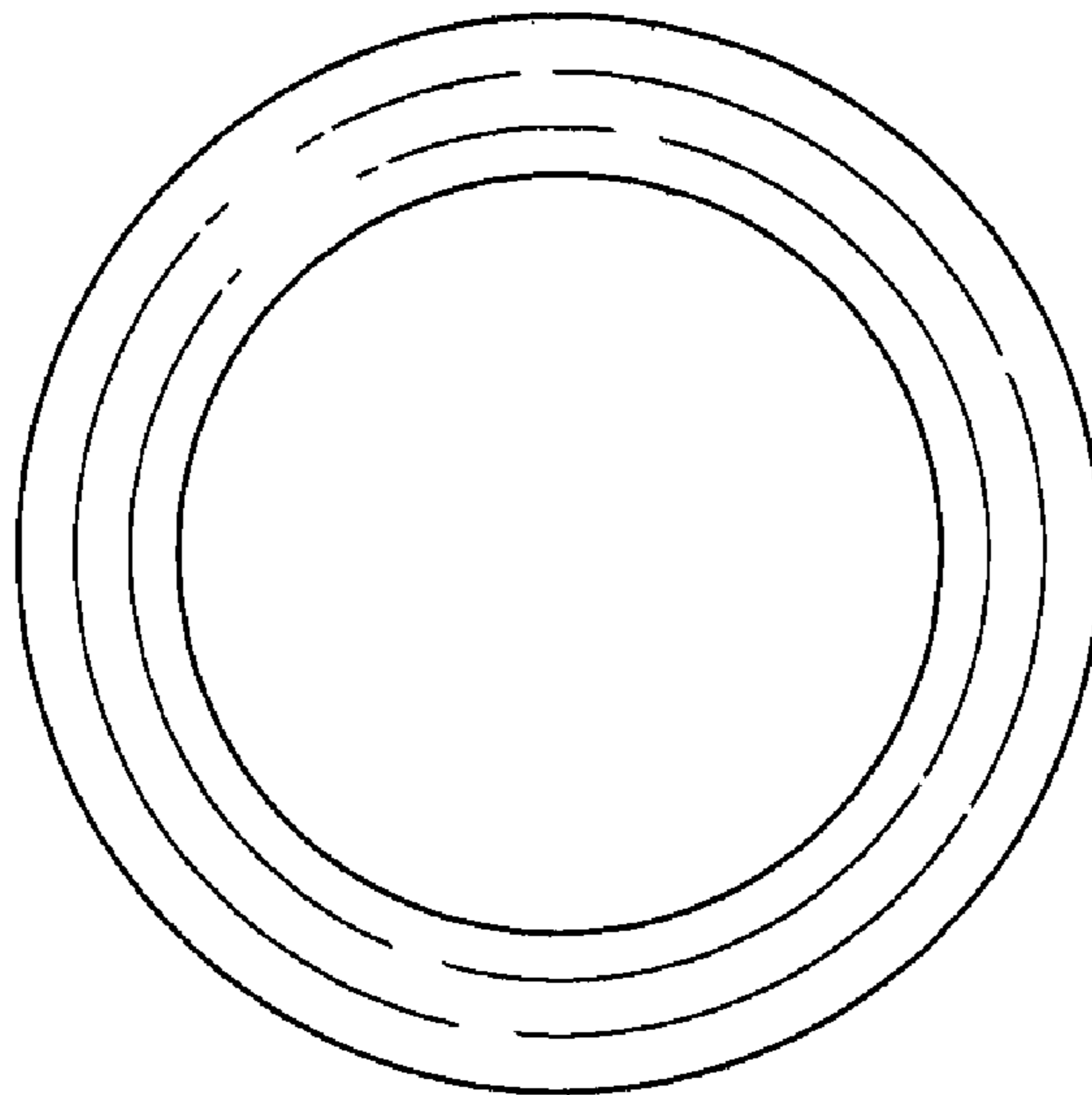


FIG. 6