

US00D627894S

(12) **United States Design Patent**  
**Sirota et al.**

(10) **Patent No.:** **US D627,894 S**

(45) **Date of Patent:** **\*\* Nov. 23, 2010**

(54) **BABY BOTTLE**

7,632,457 B2 \* 12/2009 Calvert et al. .... 422/1  
D609,355 S \* 2/2010 Strickler et al. .... D24/197

(76) Inventors: **Craig Sirota**, 950 Gage La., Lake Forest, IL (US) 60045; **Adam Ruggles**, 3157 N. Hudson Ave., Apt. D3, Chicago, IL (US) 60657; **Gary Prokop**, 830 Pick St., Wheaton, IL (US) 60187

\* cited by examiner

*Primary Examiner*—Susan E Krakower

(74) *Attorney, Agent, or Firm*—Amin Talati, LLC; Janine A. Moderson; Brian M. Wishnow

(\*\*) Term: **14 Years**

(57) **CLAIM**

(21) Appl. No.: **29/340,789**

The ornamental design for a baby bottle, as shown and described.

(22) Filed: **Jul. 24, 2009**

**DESCRIPTION**

(51) **LOC (9) Cl.** ..... **07-01**

FIG. 1 is a side elevation view of a baby bottle showing a first embodiment of my design.

(52) **U.S. Cl.** ..... **D24/197**

FIG. 2 is a side elevation view of a baby bottle showing a second embodiment of my design.

(58) **Field of Classification Search** ..... D24/193–198; D9/500, 503–504, 547, 444–445, 454; D7/510–511, D7/533–534; 215/6, 10, 11.1–11.6, 12.1, 215/13.1, 255–256, 378; 220/703, 720

FIG. 3 is a side elevation view of a baby bottle showing a third embodiment of my design.

See application file for complete search history.

FIG. 4 is a side elevation view of a baby bottle showing a fourth embodiment of my design.

(56) **References Cited**

**U.S. PATENT DOCUMENTS**

1,749,432	A *	3/1930	Kriege	.....	215/11.6
3,244,305	A *	4/1966	Moore	.....	215/11.6
3,746,198	A *	7/1973	Howland	.....	215/11.1
D233,829	S *	12/1974	Balbach et al.	.....	D9/503
D237,838	S *	11/1975	Meeker	.....	D24/197
5,316,160	A *	5/1994	Cautereels	.....	215/11.1
D350,899	S *	9/1994	Vasas	.....	D9/503
D368,528	S *	4/1996	Allegre	.....	D24/197
D450,387	S *	11/2001	Gaona	.....	D24/197
D457,245	S *	5/2002	Royal et al.	.....	D24/197
D497,672	S *	10/2004	Renz	.....	D24/197

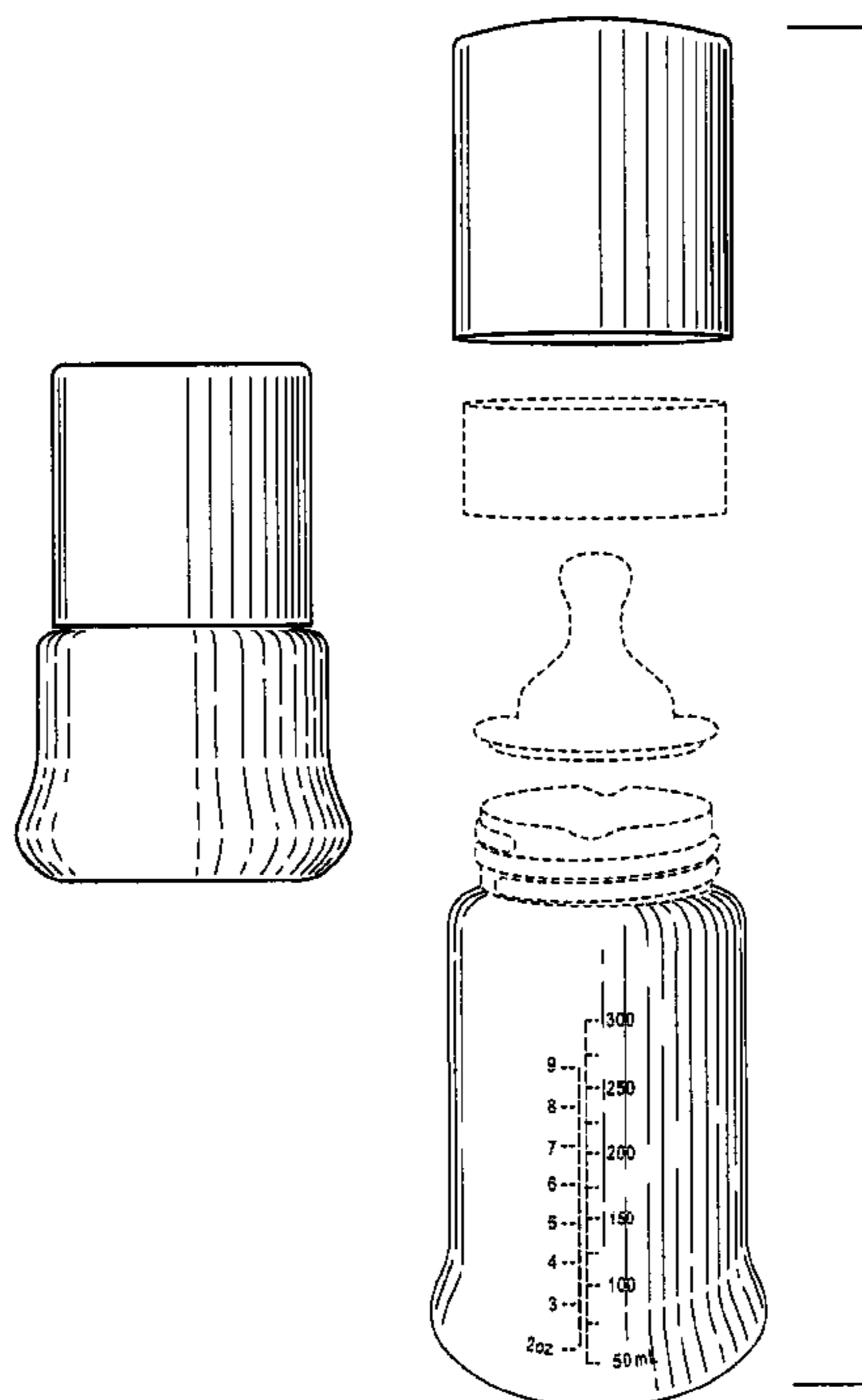
FIG. 5 is an exploded back perspective view of a baby bottle, all embodiments having appropriate unclaimed increment markings for the bottle size;

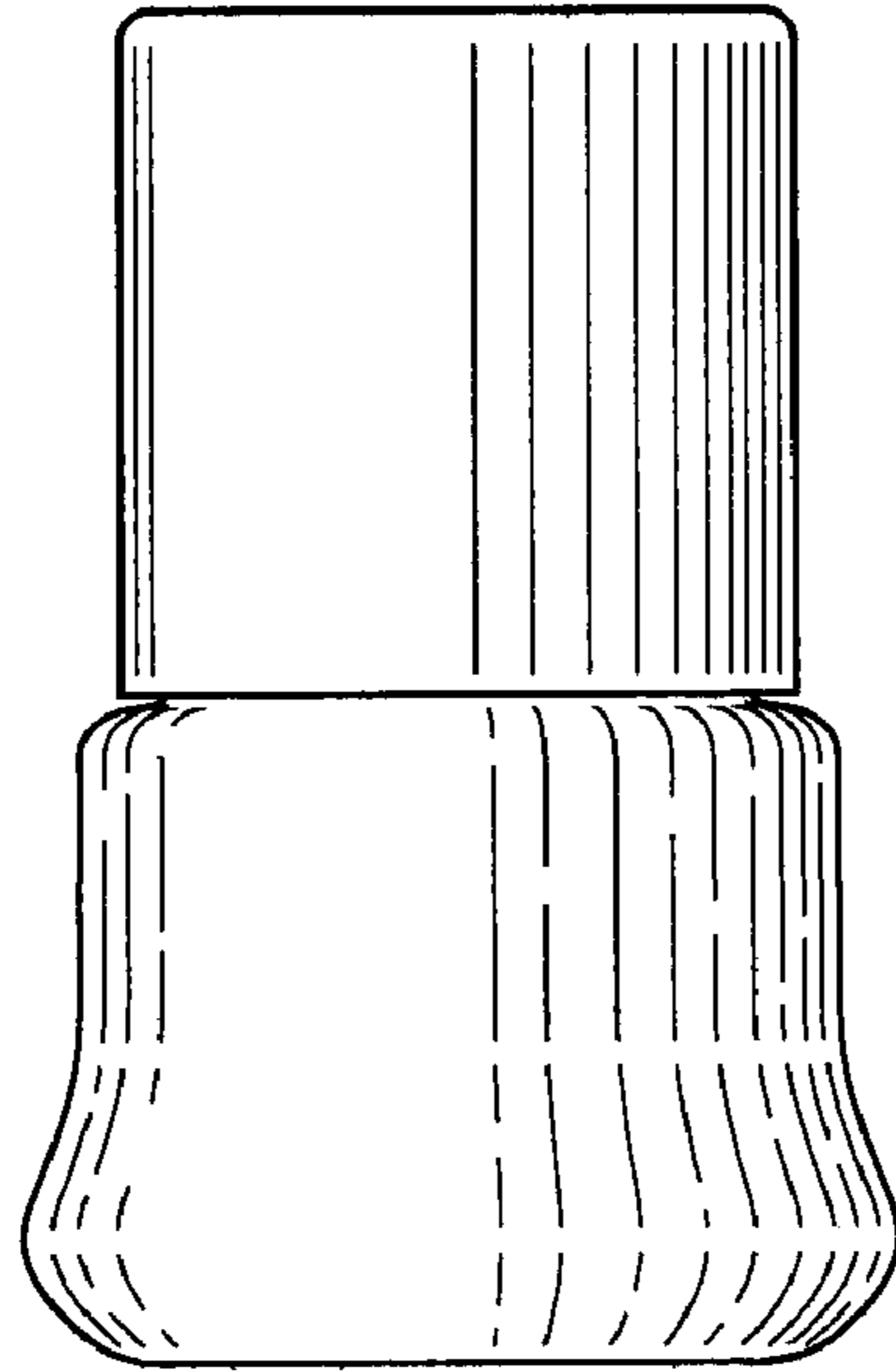
FIG. 6 is a top plan view of a baby bottle, all embodiments being the same; and,

FIG. 7 is a bottom plan view of a baby bottle, all embodiments being the same.

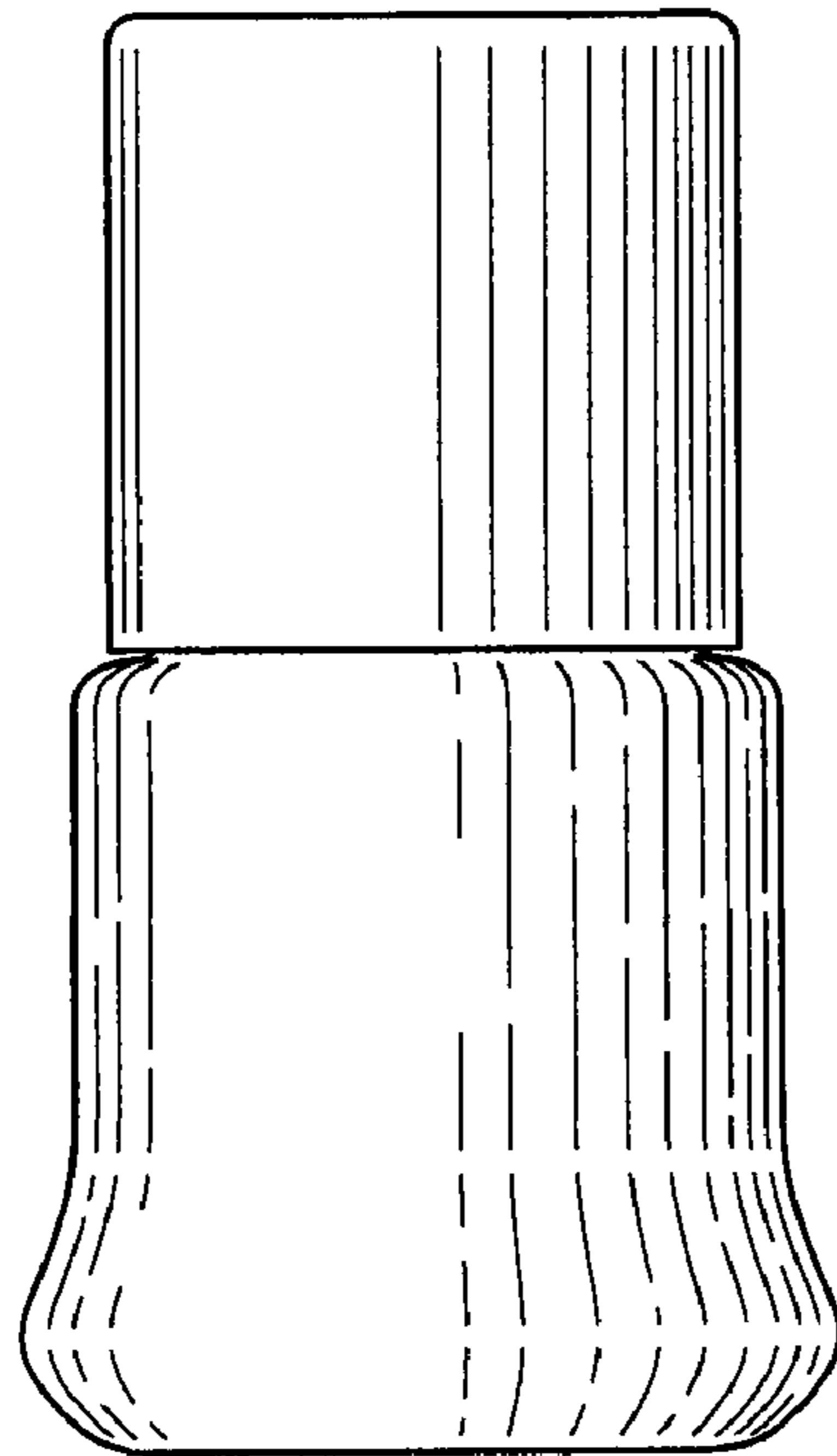
The broken lines in FIG. 5 represent portions of the baby bottle that form no part of the claimed design.

**1 Claim, 5 Drawing Sheets**

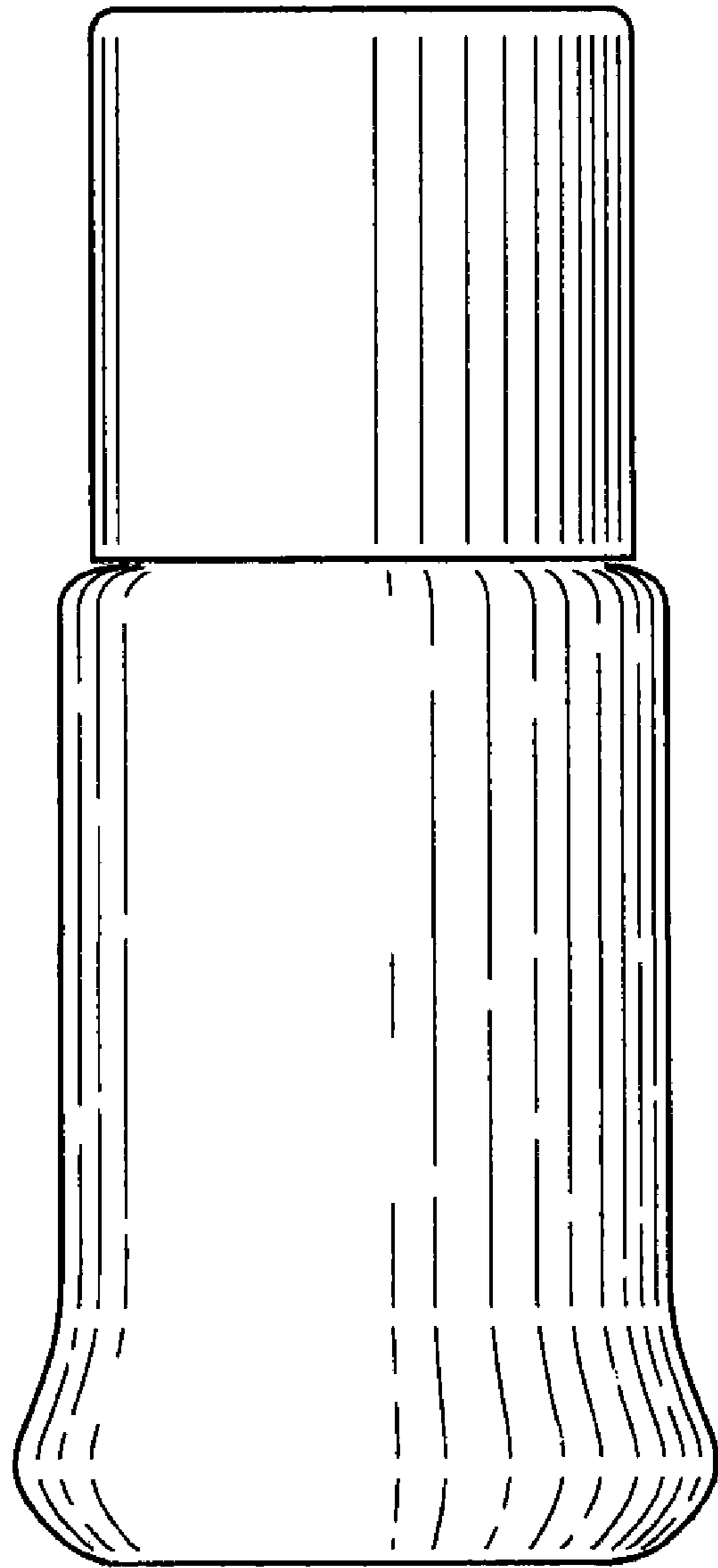




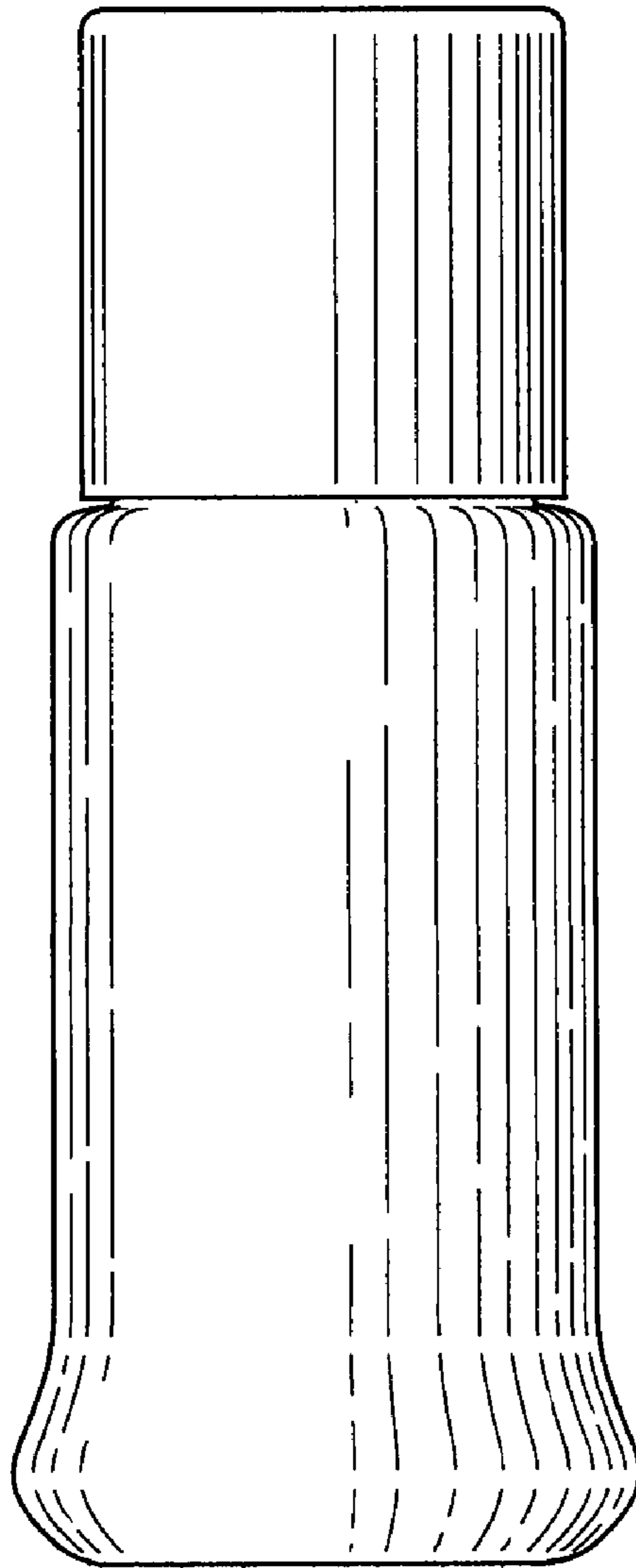
**FIG. 1**



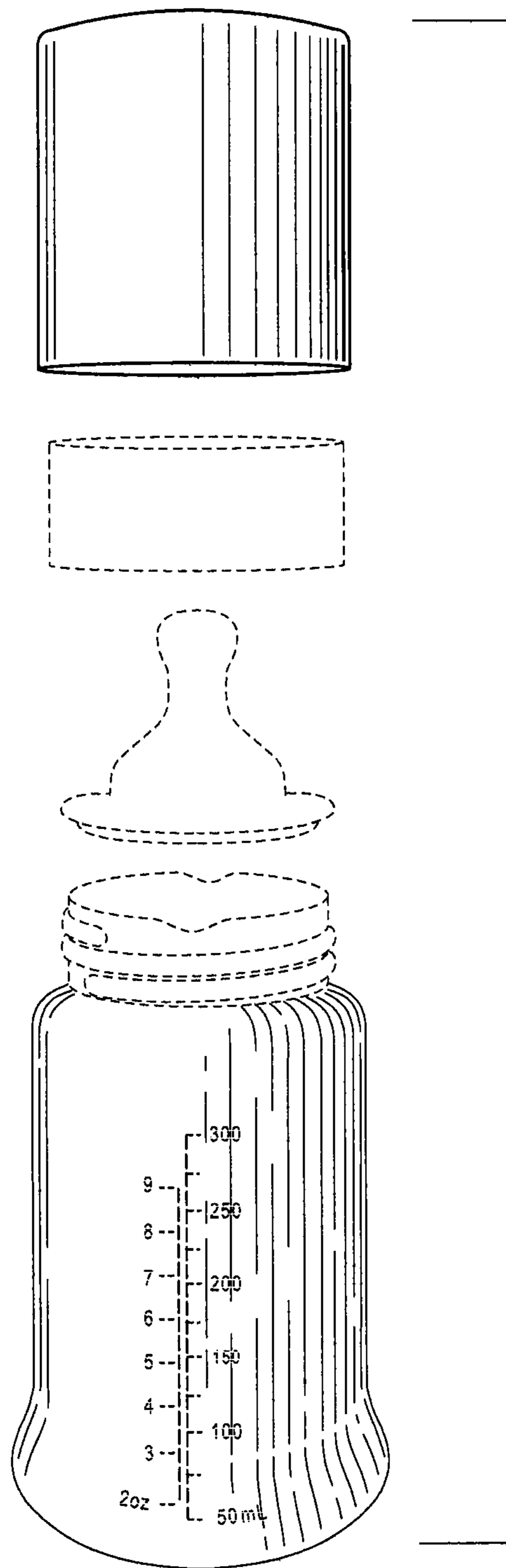
**FIG. 2**



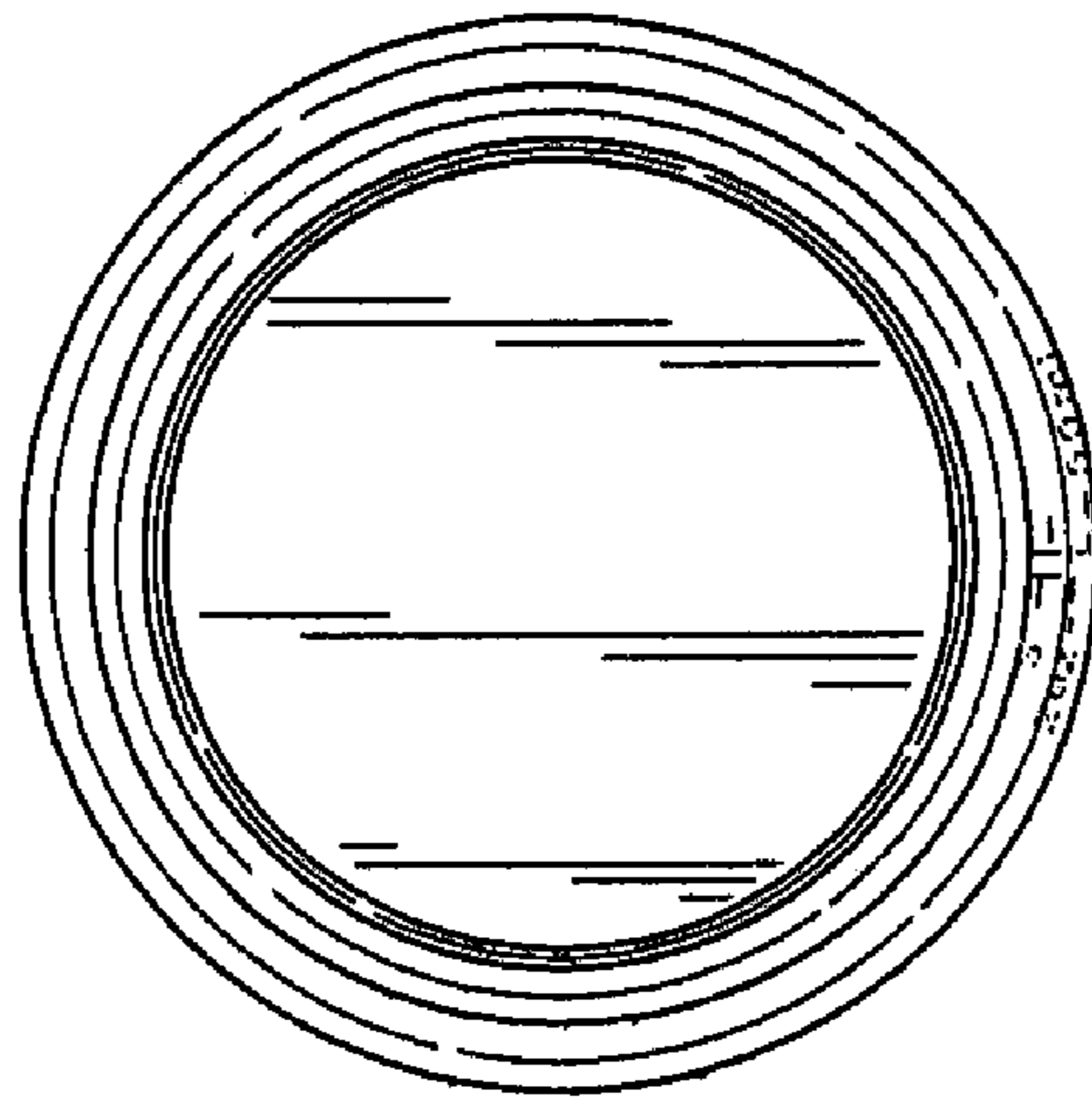
**FIG. 3**



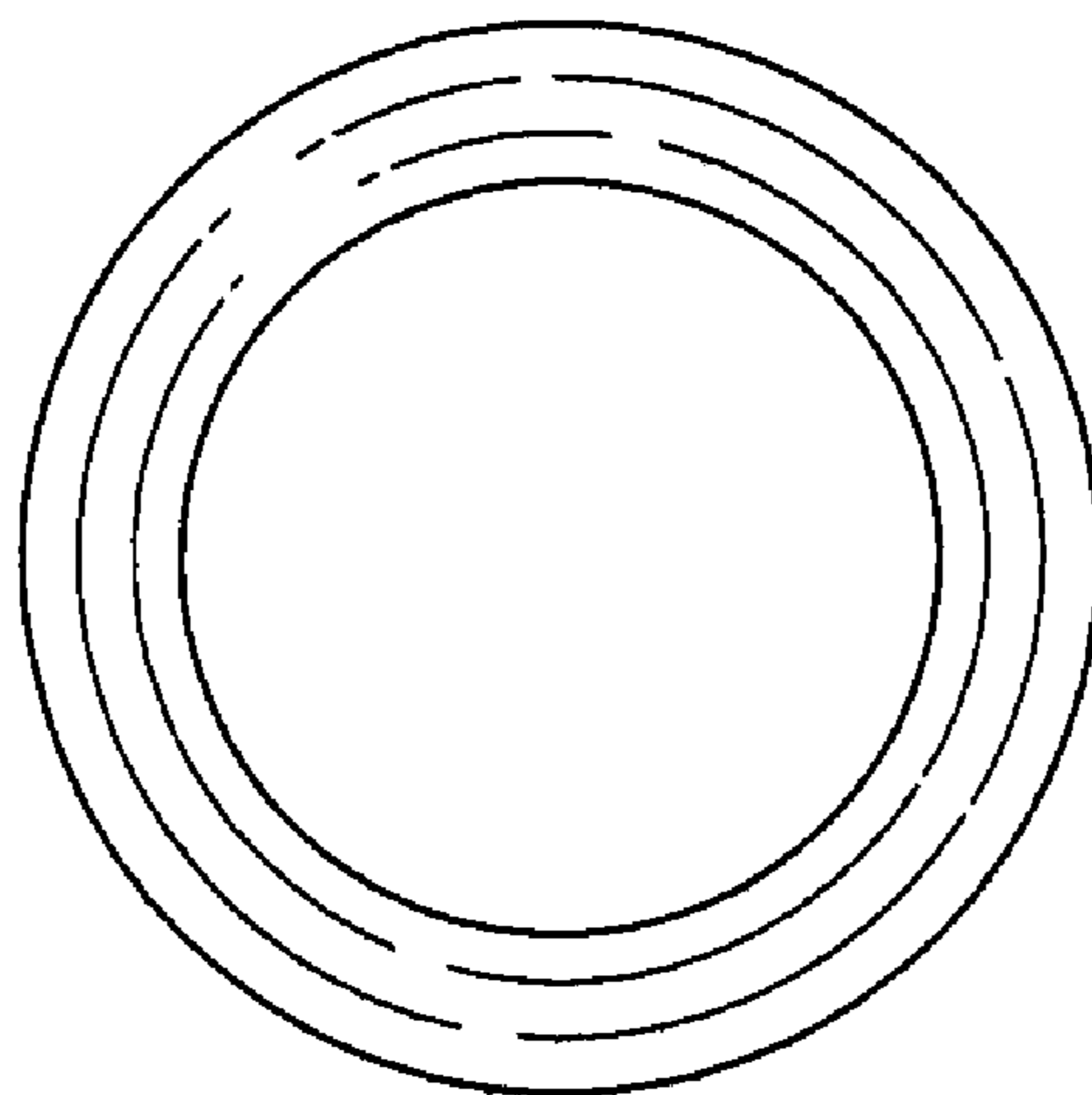
**FIG. 4**



**FIG. 5**



**FIG. 6**



**FIG. 7**