



US00D627891S

(12) **United States Design Patent**
Lu

(10) **Patent No.:** **US D627,891 S**

(45) **Date of Patent:** **** Nov. 23, 2010**

(54) **MESSAGE BENCH**

(76) **Inventor:** **Fang-yu Lu**, No. 12-48, Cingcaopo,
Neighborhood 8, Tou Zhou Village,
Sinwu Township, Taoyuan County 327
(TW)

(**) **Term:** **14 Years**

(21) **Appl. No.:** **29/350,718**

(22) **Filed:** **Nov. 23, 2009**

(51) **LOC (9) Cl.** **24-01**

(52) **U.S. Cl.** **D24/183**

(58) **Field of Classification Search** D24/183,
D24/200, 171; 108/36, 115, 132; 5/111,
5/600, 607, 610-614, 618, 620, 622, 632;
601/24, 98, 134, 146; 606/240-242; D6/367,
D6/382, 480, 482, 502, 361; 482/142; D21/690,
D21/686

See application file for complete search history.

(56) **References Cited**

U.S. PATENT DOCUMENTS

3,747,916	A	*	7/1973	Benson	5/600
D304,614	S	*	11/1989	Guttormsen	D24/183
4,927,139	A	*	5/1990	Taltre	482/142
D322,730	S	*	12/1991	Taltre	D6/502
D339,617	S	*	9/1993	Harashima	D21/690
D360,663	S	*	7/1995	Rouillard et al.	D21/690
D392,741	S	*	3/1998	Blanchard et al.	D24/183
D403,772	S	*	1/1999	Fanuzzi	D24/183
D424,142	S	*	5/2000	McBride et al.	D21/686

D436,176	S	*	1/2001	Fanuzzi	D24/183
D478,138	S	*	8/2003	Juliusson	D6/361
D491,987	S	*	6/2004	Harley	D21/690
D533,667	S	*	12/2006	Roleder	D24/183
D583,953	S	*	12/2008	Genelli	D24/183
D583,954	S	*	12/2008	Genelli	D24/183
D613,410	S	*	4/2010	Genelli	D24/183

* cited by examiner

Primary Examiner—T. Chase Nelson

Assistant Examiner—Mark Cavanna

(57) **CLAIM**

I claim the ornamental design for a message bench, as shown and described.

DESCRIPTION

FIG. 1 is a perspective view of a message bench showing my new design;

FIG. 2 is a front view thereof;

FIG. 3 is a rear view thereof;

FIG. 4 is a left side view thereof;

FIG. 5 is a right side view thereof;

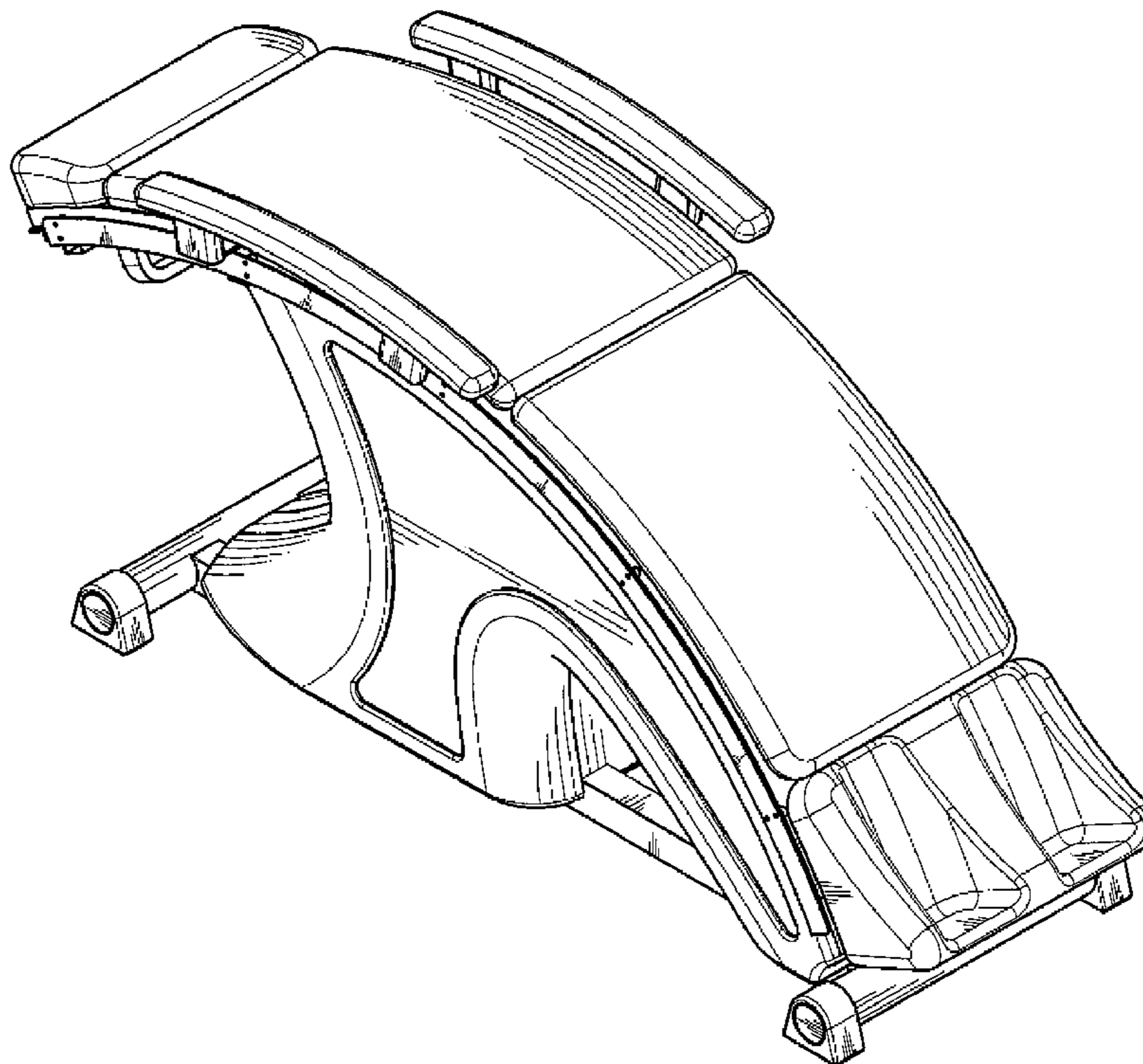
FIG. 6 is a top plan view thereof;

FIG. 7 is a bottom view thereof; and,

FIG. 8 is a side view of the message bench with the patient support portion rotated forward in condition of use.

Environmental features that are not part of the claimed design are shown in broken lines.

1 Claim, 8 Drawing Sheets



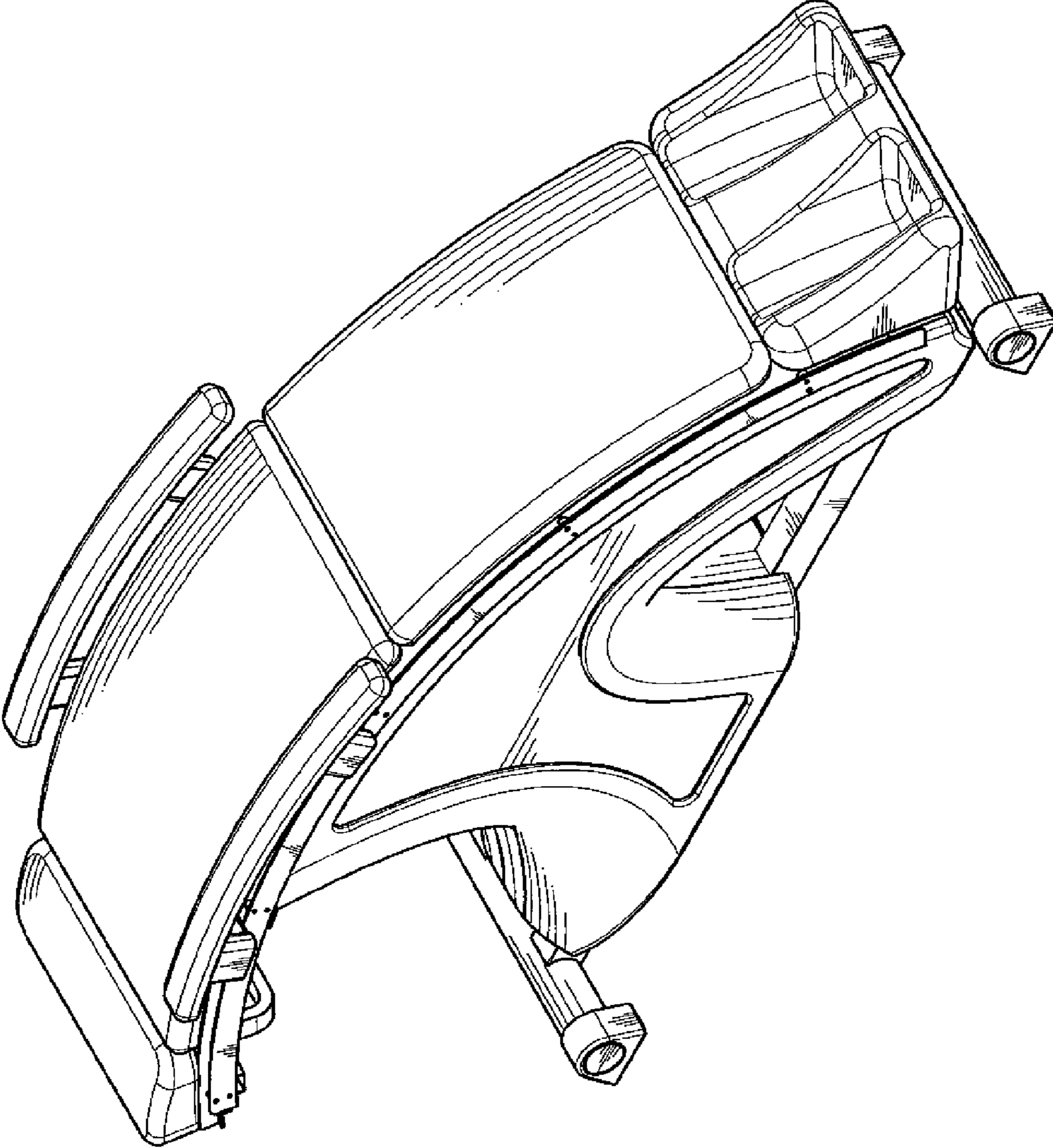


FIG. 1

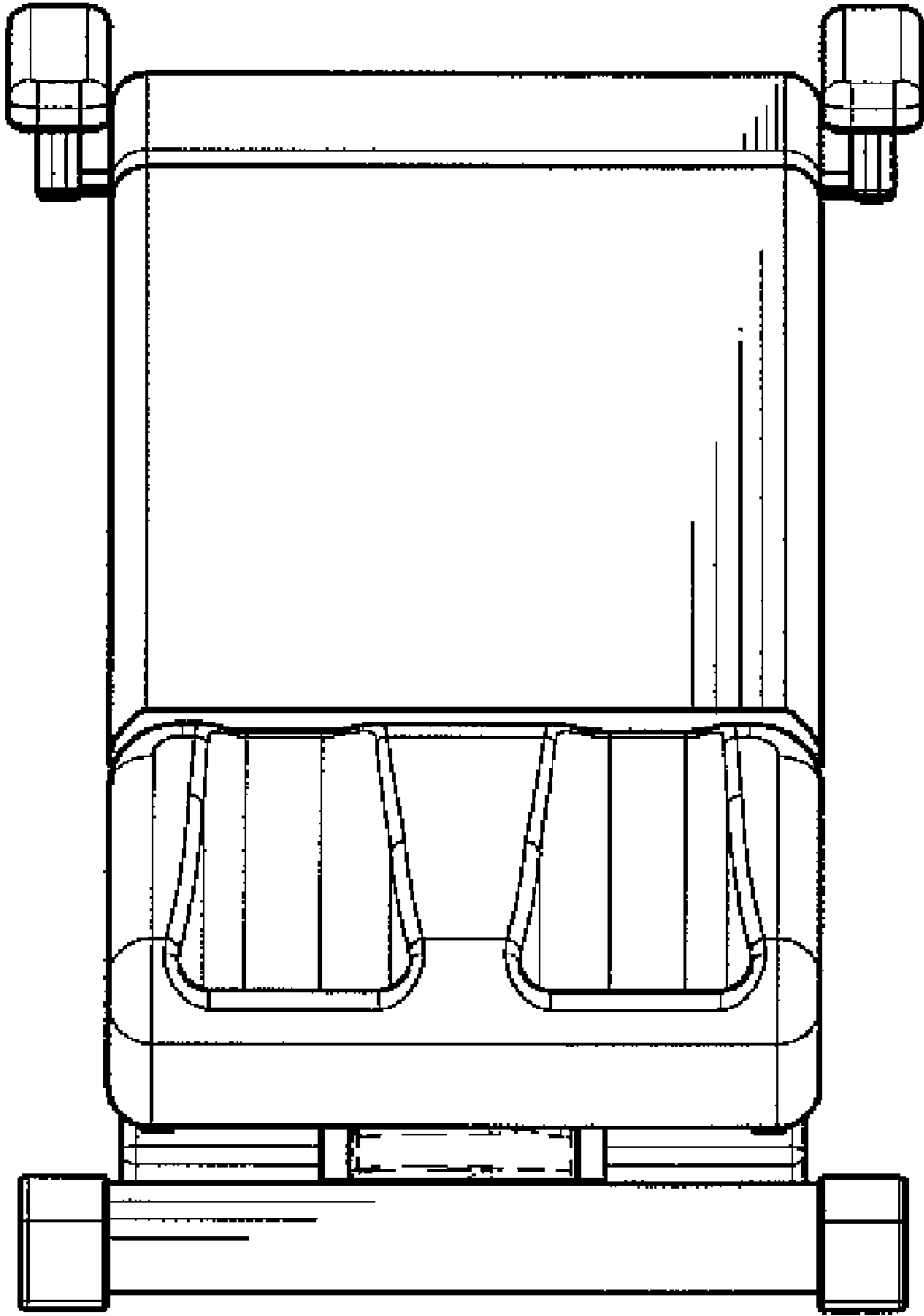


FIG. 2

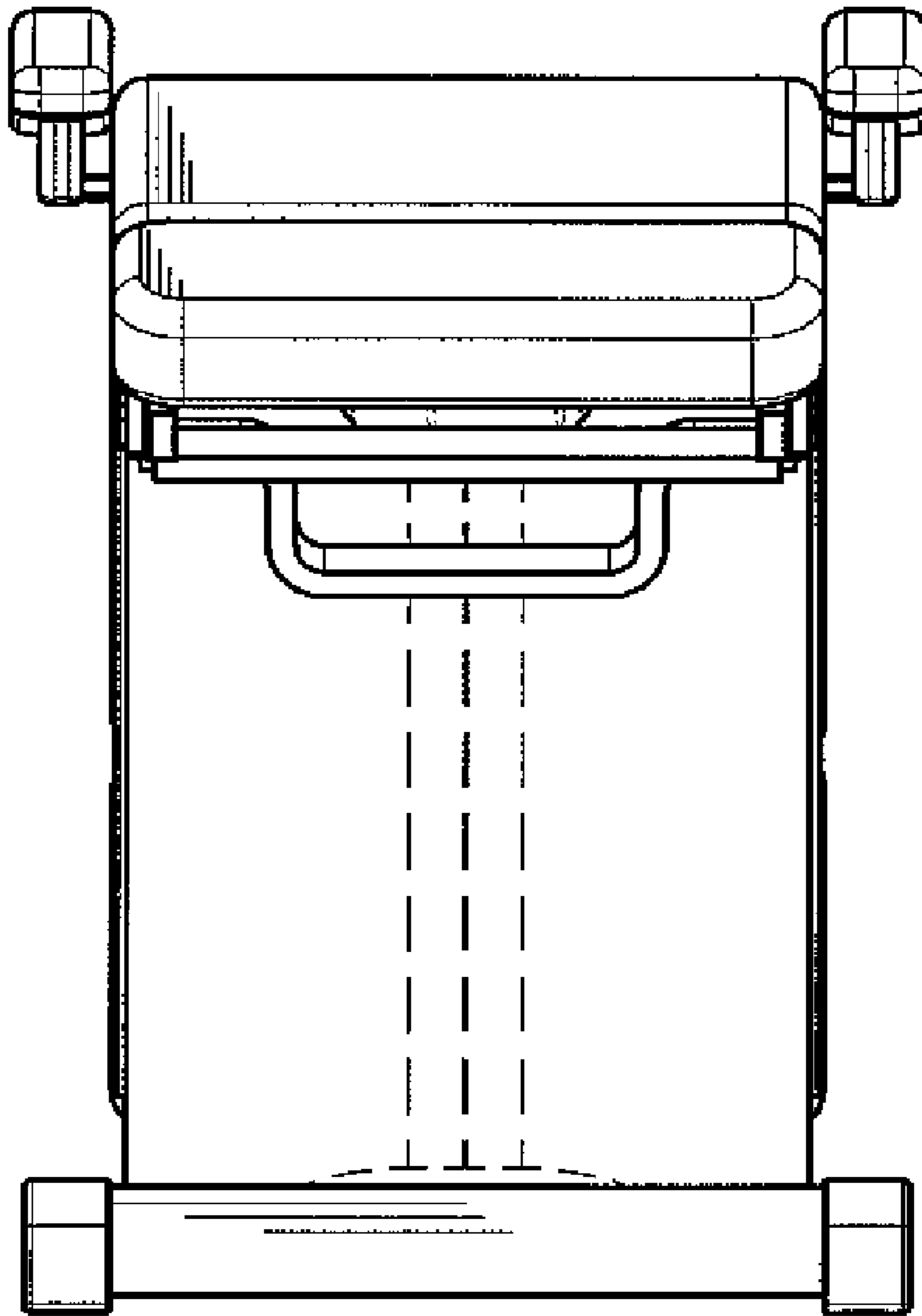


FIG. 3

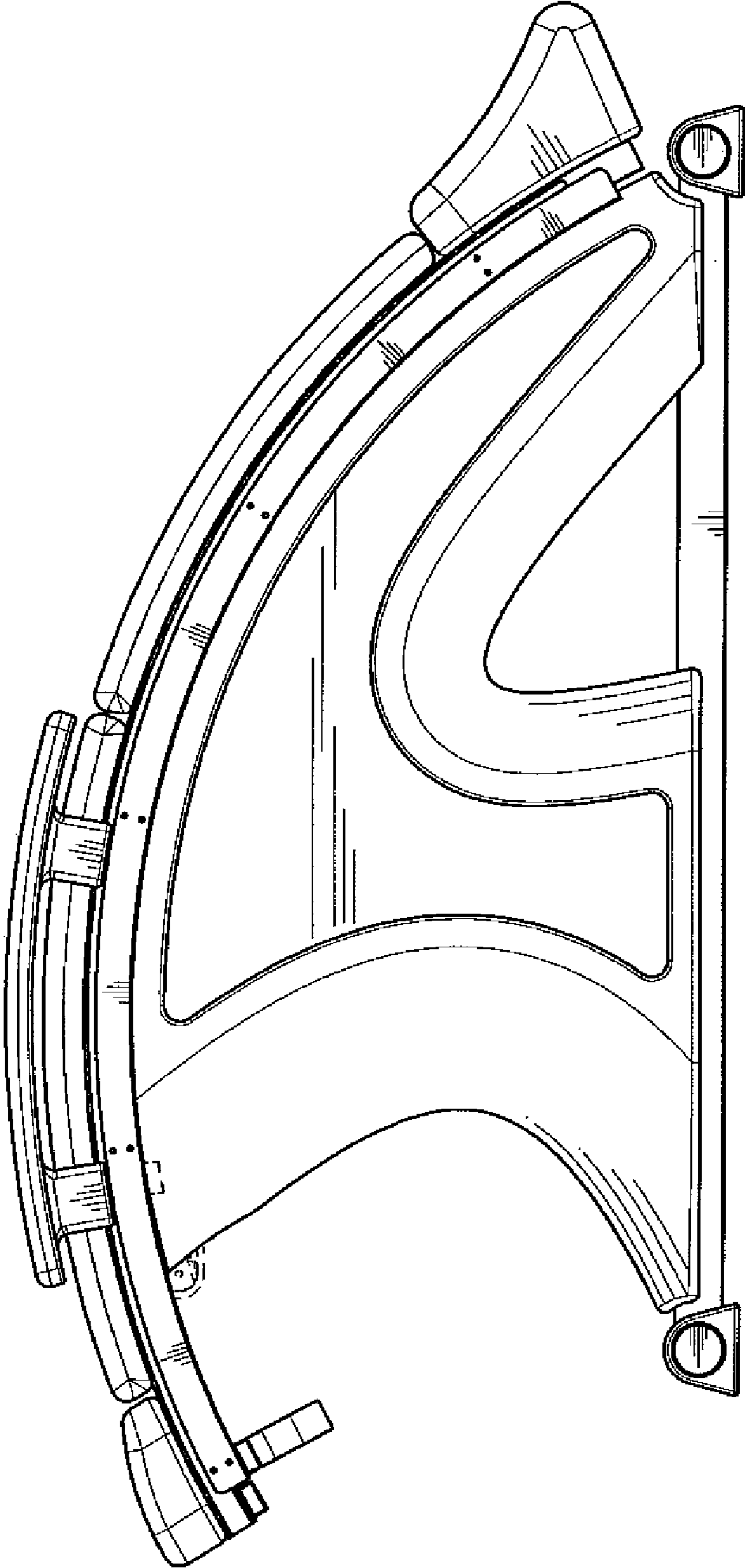


FIG. 4

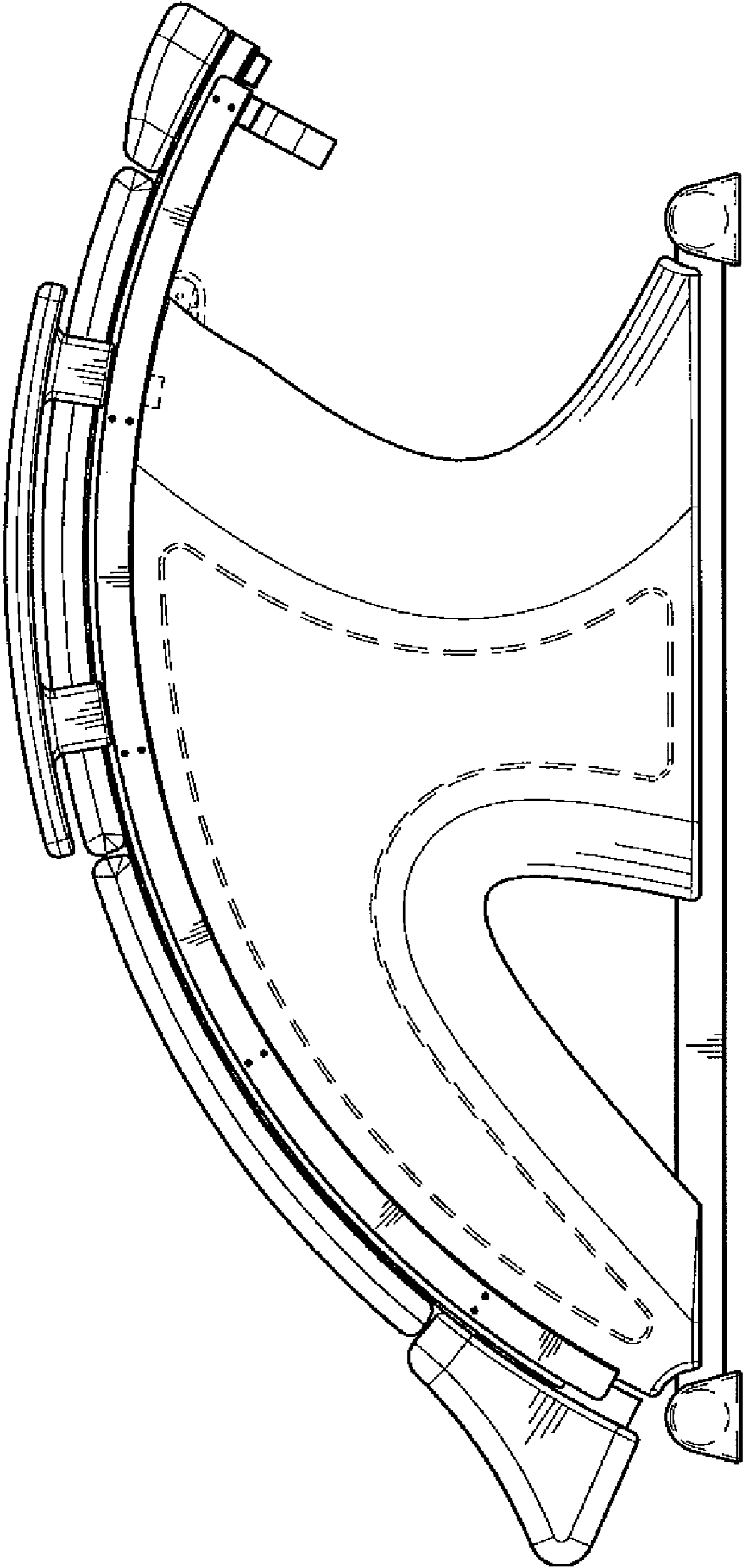


FIG. 5

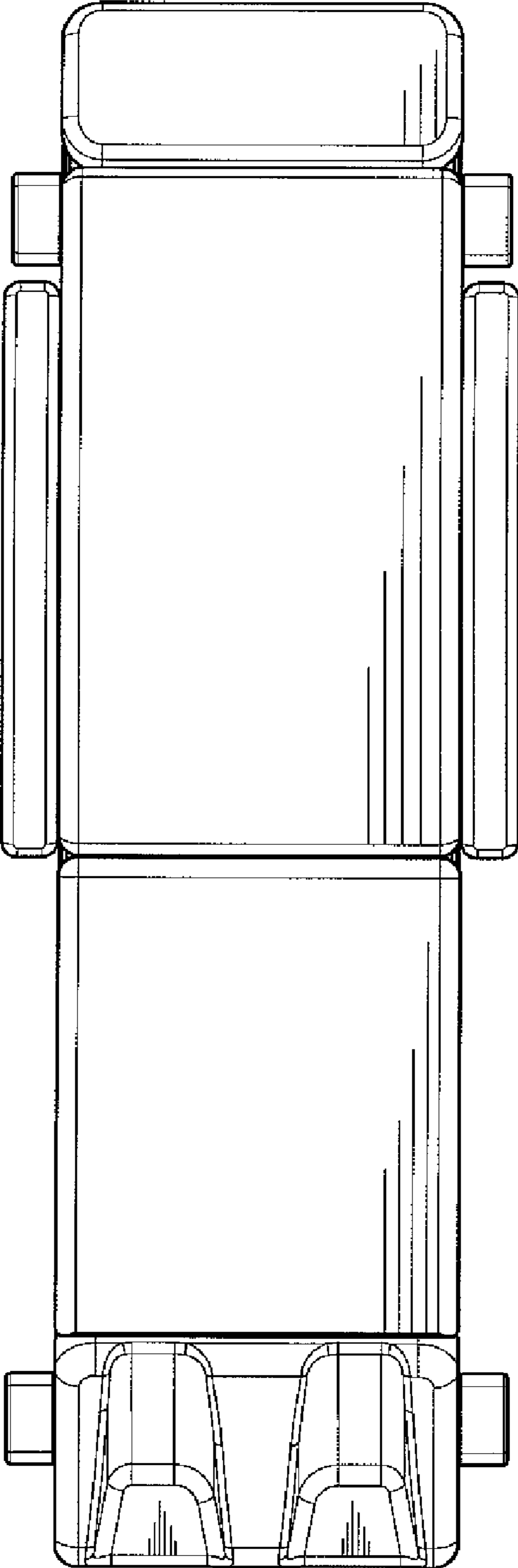


FIG. 6

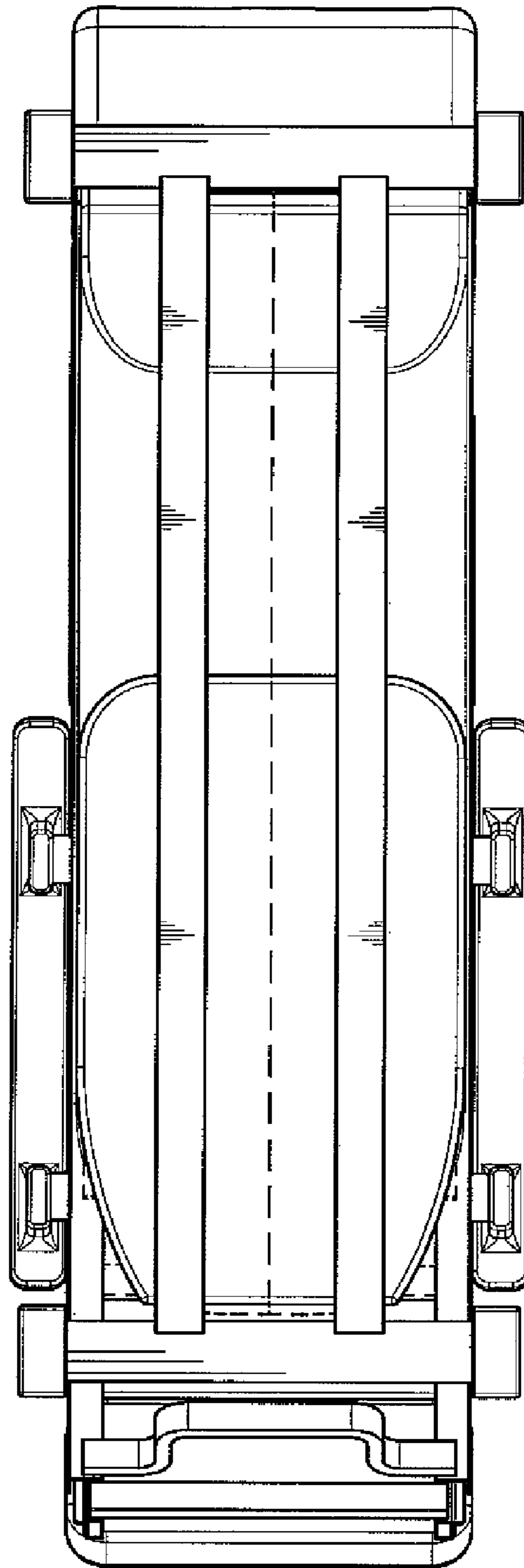


FIG. 7

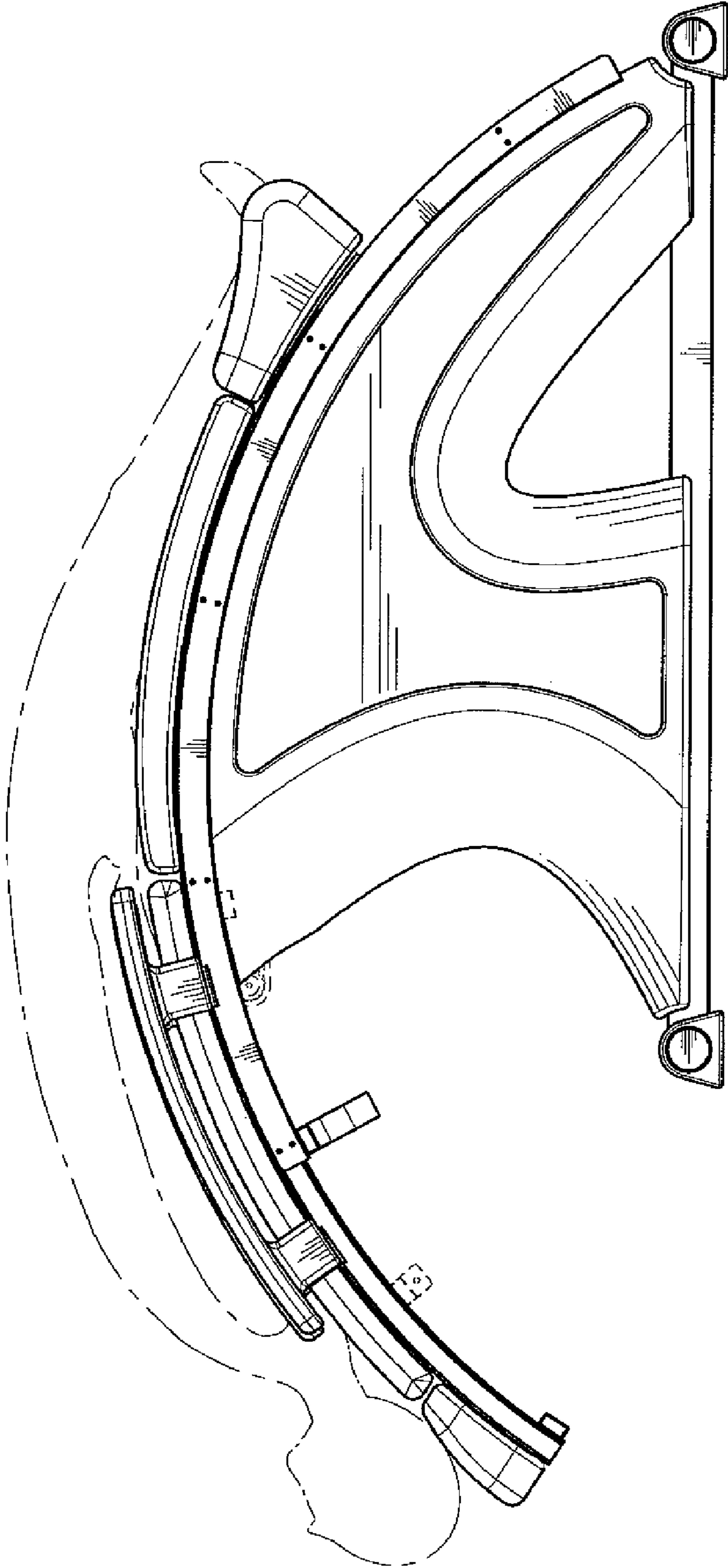


FIG. 8