



US00D627888S

(12) **United States Design Patent**  
**Leu**

(10) **Patent No.:** **US D627,888 S**

(45) **Date of Patent:** **\*\* Nov. 23, 2010**

(54) **HEART RATE MONITOR RING**

D574,496 S \* 8/2008 Kitamura et al. .... D24/165  
7,470,234 B1 \* 12/2008 Elhag et al. .... 600/485

(76) Inventor: **Ching-Biau Leu**, 8F., No. 4, Lane 83,  
Sec. 1, Kwang-Fu Road., San-Chung,  
Taipei (TW) 241

\* cited by examiner

(\*\*) Term: **14 Years**

*Primary Examiner*—T. Chase Nelson  
*Assistant Examiner*—Anhdao Doan  
(74) *Attorney, Agent, or Firm*—Bacon & Thomas, PLLC

(21) Appl. No.: **29/347,062**

(57) **CLAIM**

(22) Filed: **Sep. 10, 2009**

The ornamental design for a heart rate monitor ring, as shown and described.

(51) **LOC (9) Cl.** ..... **24-02**

(52) **U.S. Cl.** ..... **D24/164**

(58) **Field of Classification Search** ..... D24/165–168,  
D24/186; D10/98; 600/301, 481, 483, 485,  
600/490, 493–495, 500, 501, 503; 128/900  
See application file for complete search history.

**DESCRIPTION**

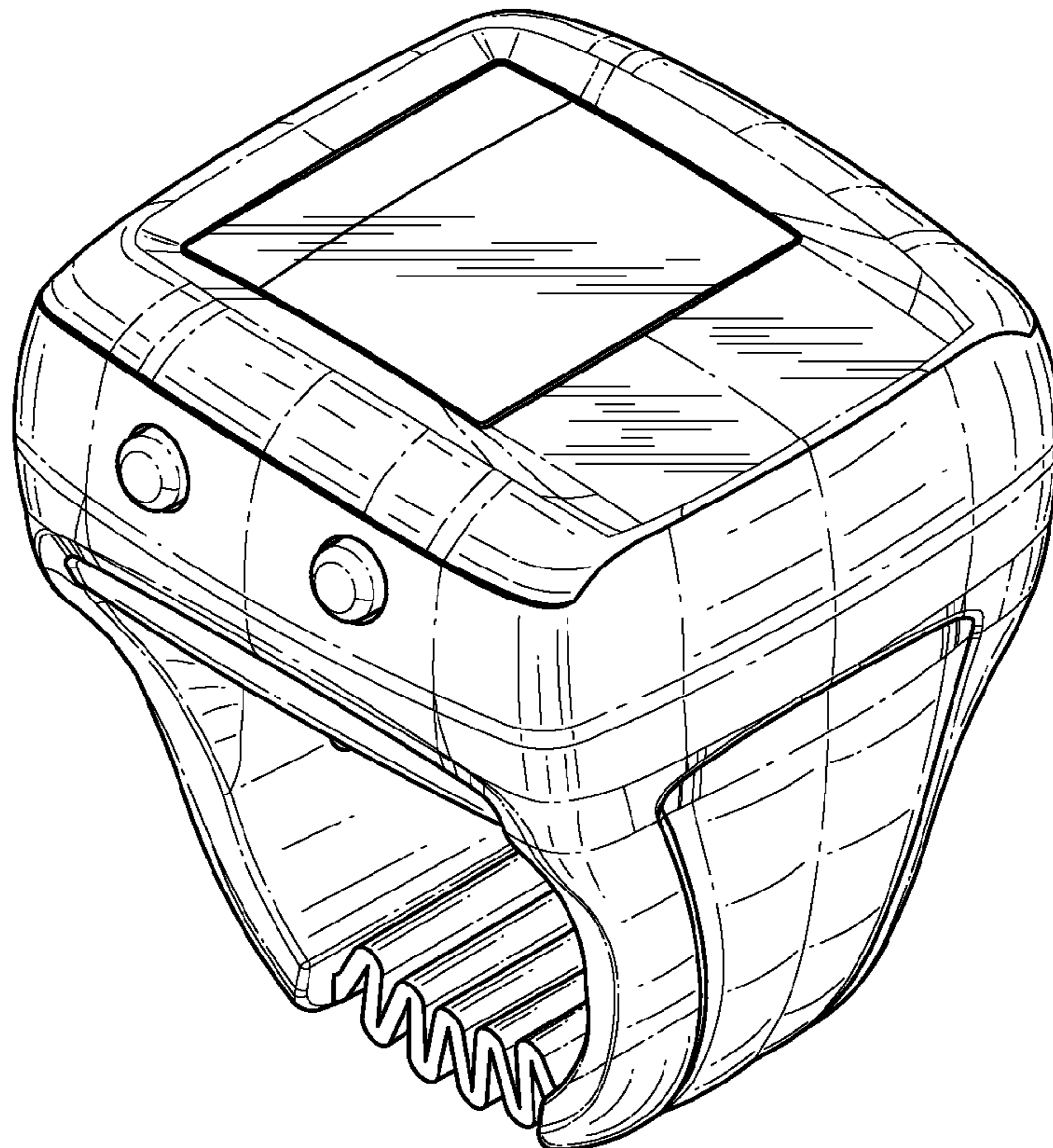
(56) **References Cited**

**U.S. PATENT DOCUMENTS**

4,425,921	A *	1/1984	Fujisaki et al. ....	600/503
5,333,616	A *	8/1994	Mills et al. ....	600/508
D356,151	S *	3/1995	Ishii et al. ....	D24/165
D362,070	S *	9/1995	Willis ....	D24/186
D439,981	S *	4/2001	Kasabach et al. ....	D24/186
D463,561	S *	9/2002	Fukatsu et al. ....	D24/165
D508,738	S *	8/2005	Lodato et al. ....	D24/167
D526,414	S *	8/2006	Jacober et al. ....	D24/165

FIG. 1 is a perspective view of a heart rate monitor ring showing my new design;  
FIG. 2 is a front elevational view thereof;  
FIG. 3 is a rear elevational view thereof;  
FIG. 4 is a left side elevational view thereof;  
FIG. 5 is a right side elevational view thereof;  
FIG. 6 is a top plan view thereof; and,  
FIG. 7 is a bottom plan view thereof. The broken lines in FIG. 7 are included for the purpose of illustrating portions of the heart rate monitor ring that form no part of the claimed design.

**1 Claim, 4 Drawing Sheets**



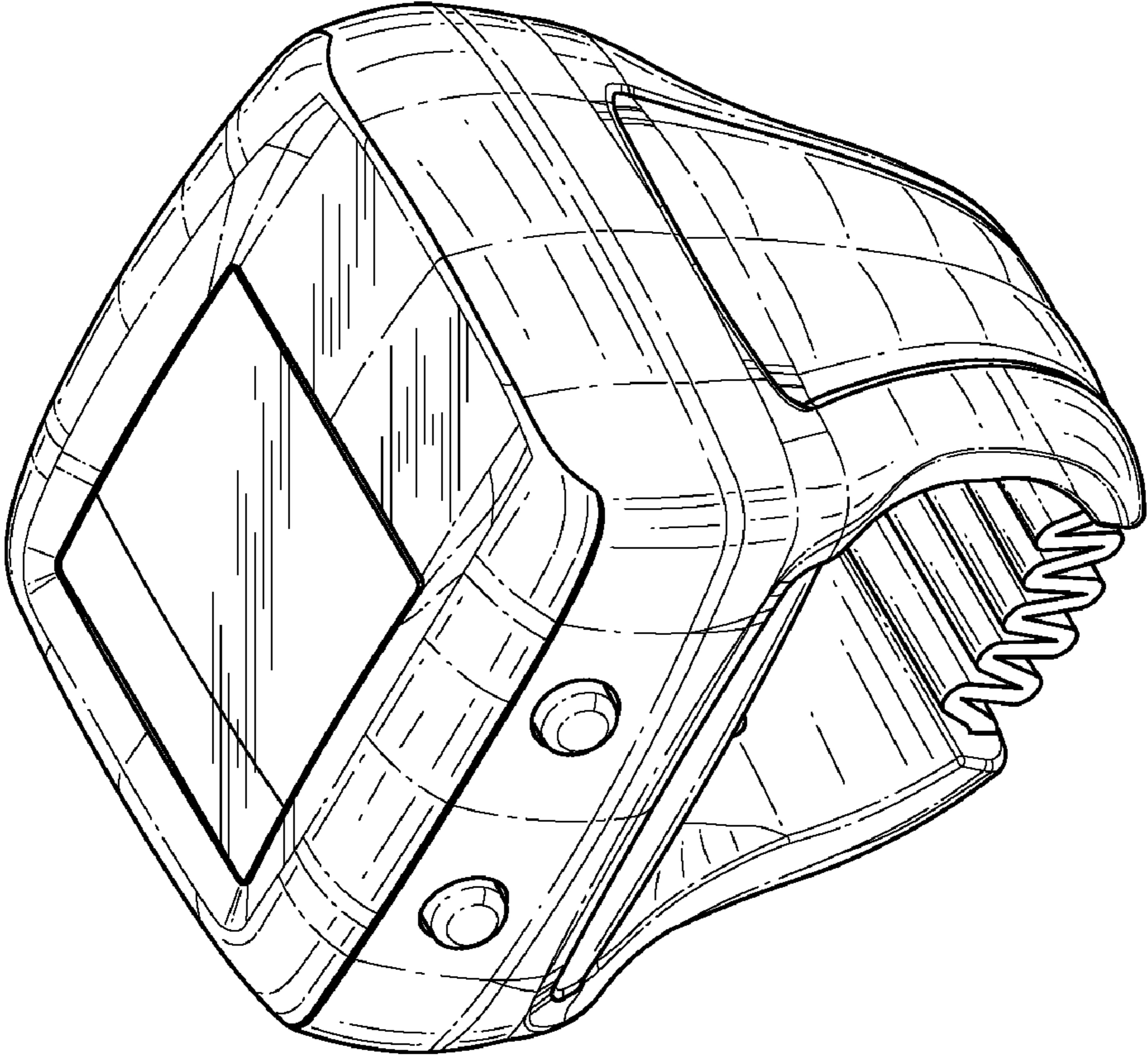


FIG. 1

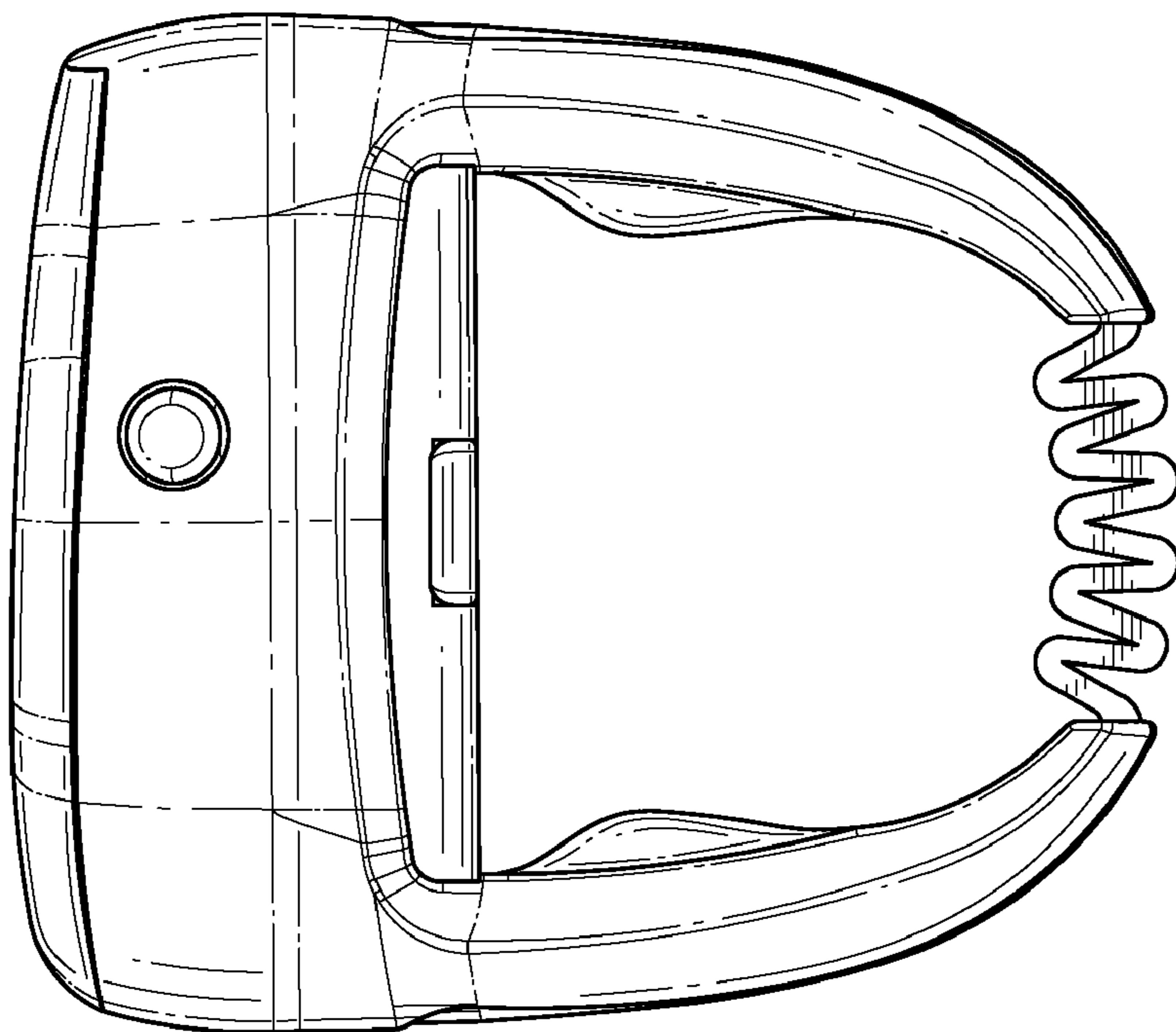


FIG. 2

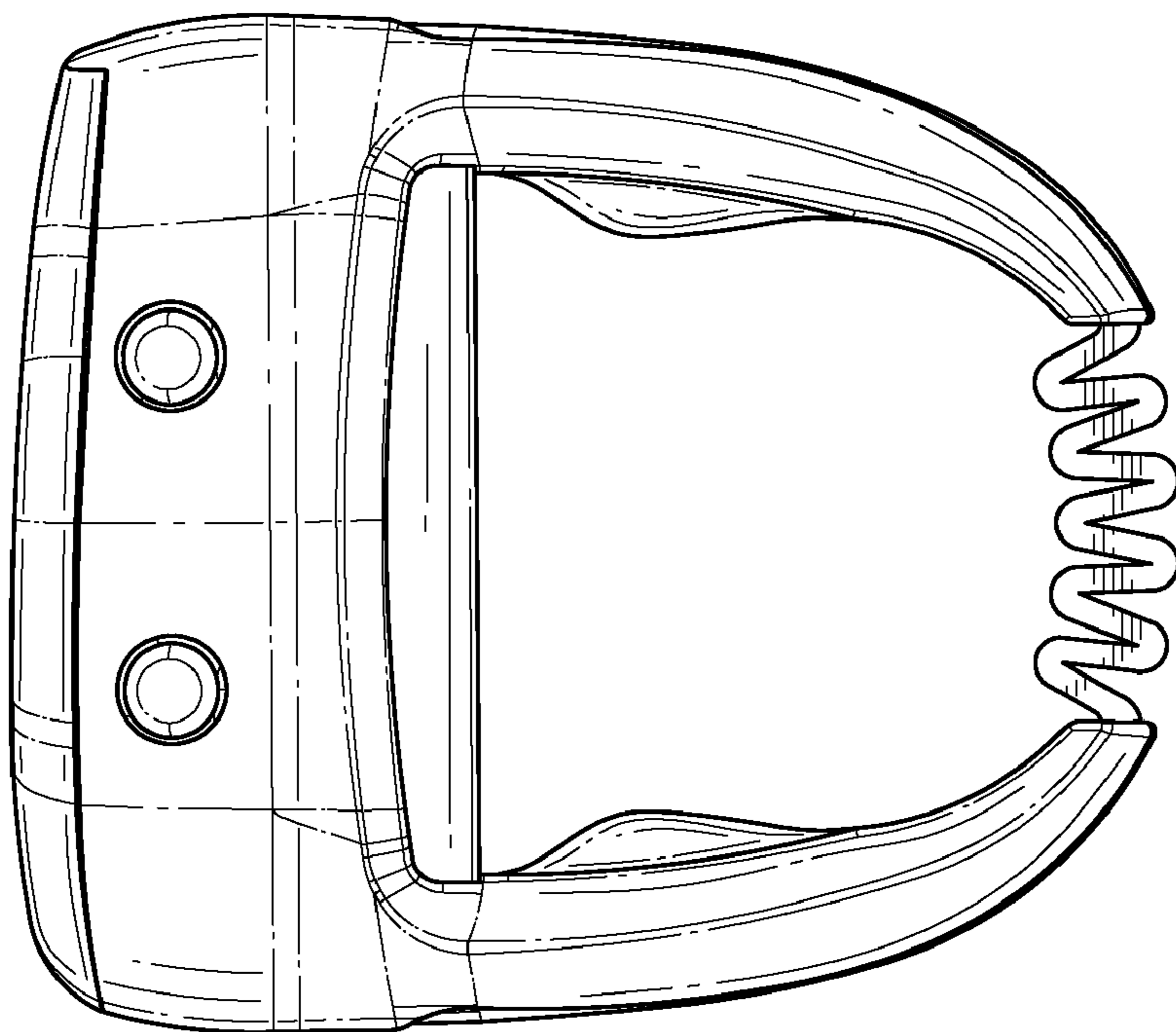


FIG. 3

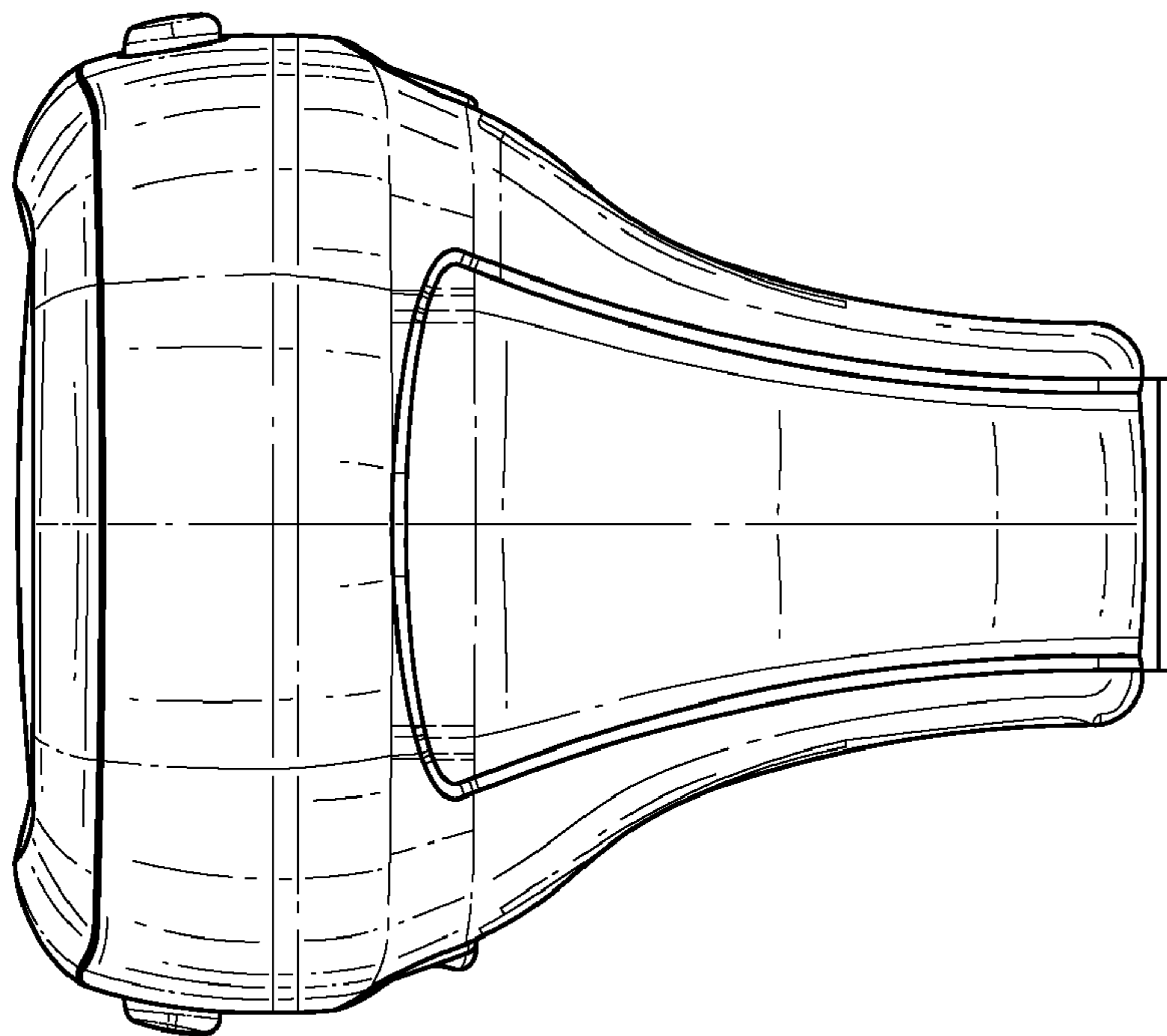


FIG. 5

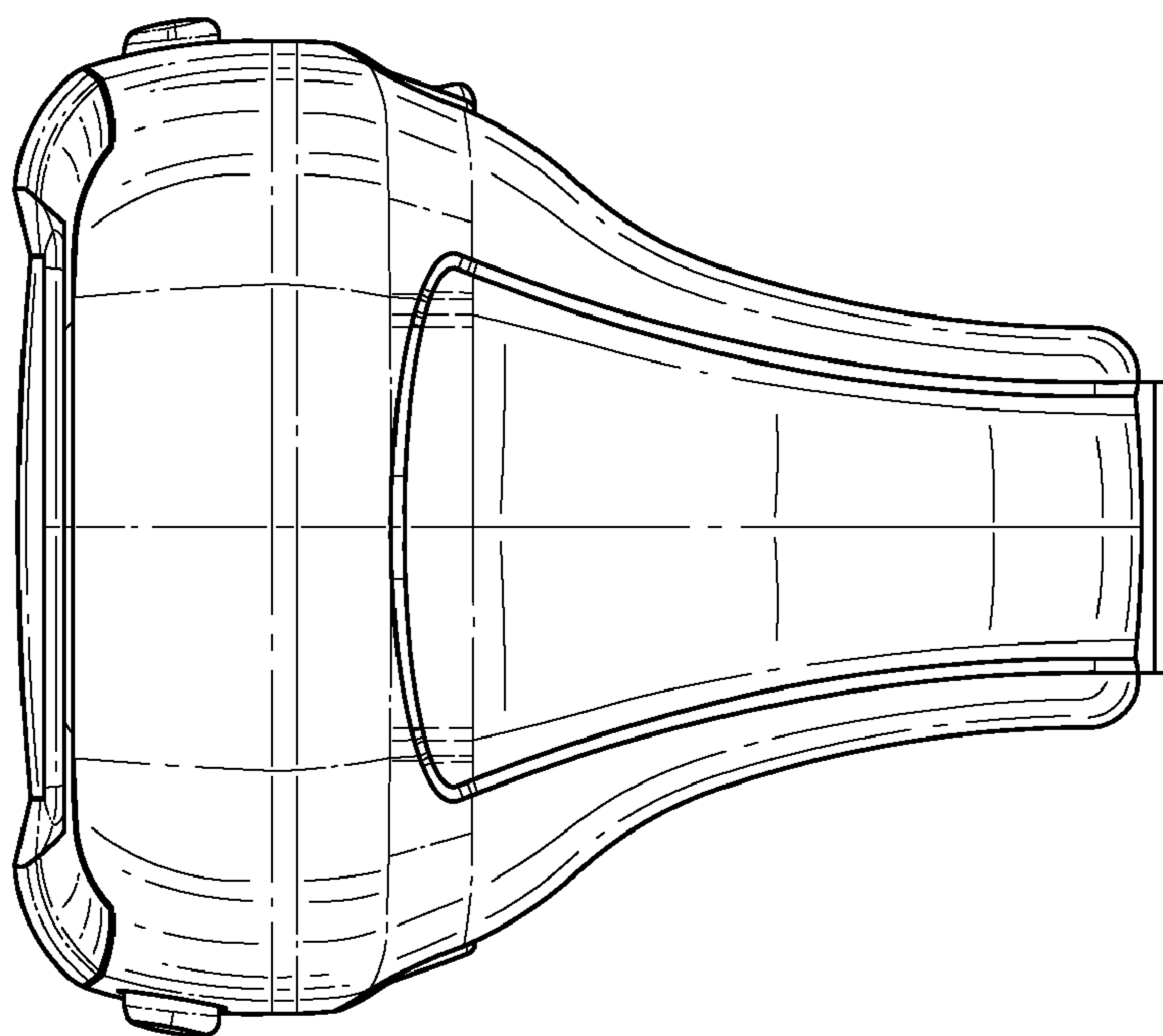


FIG. 4



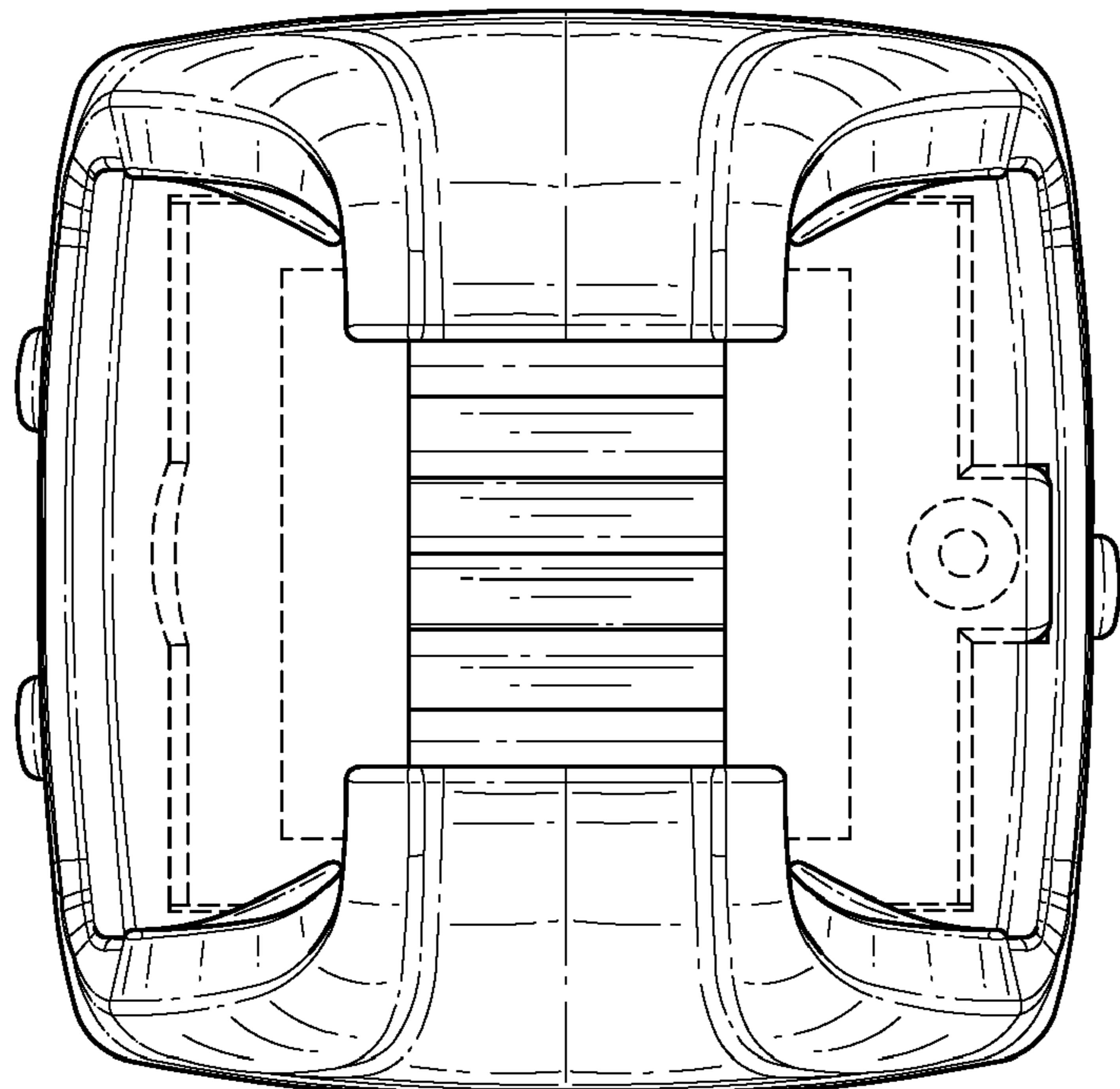


FIG. 6

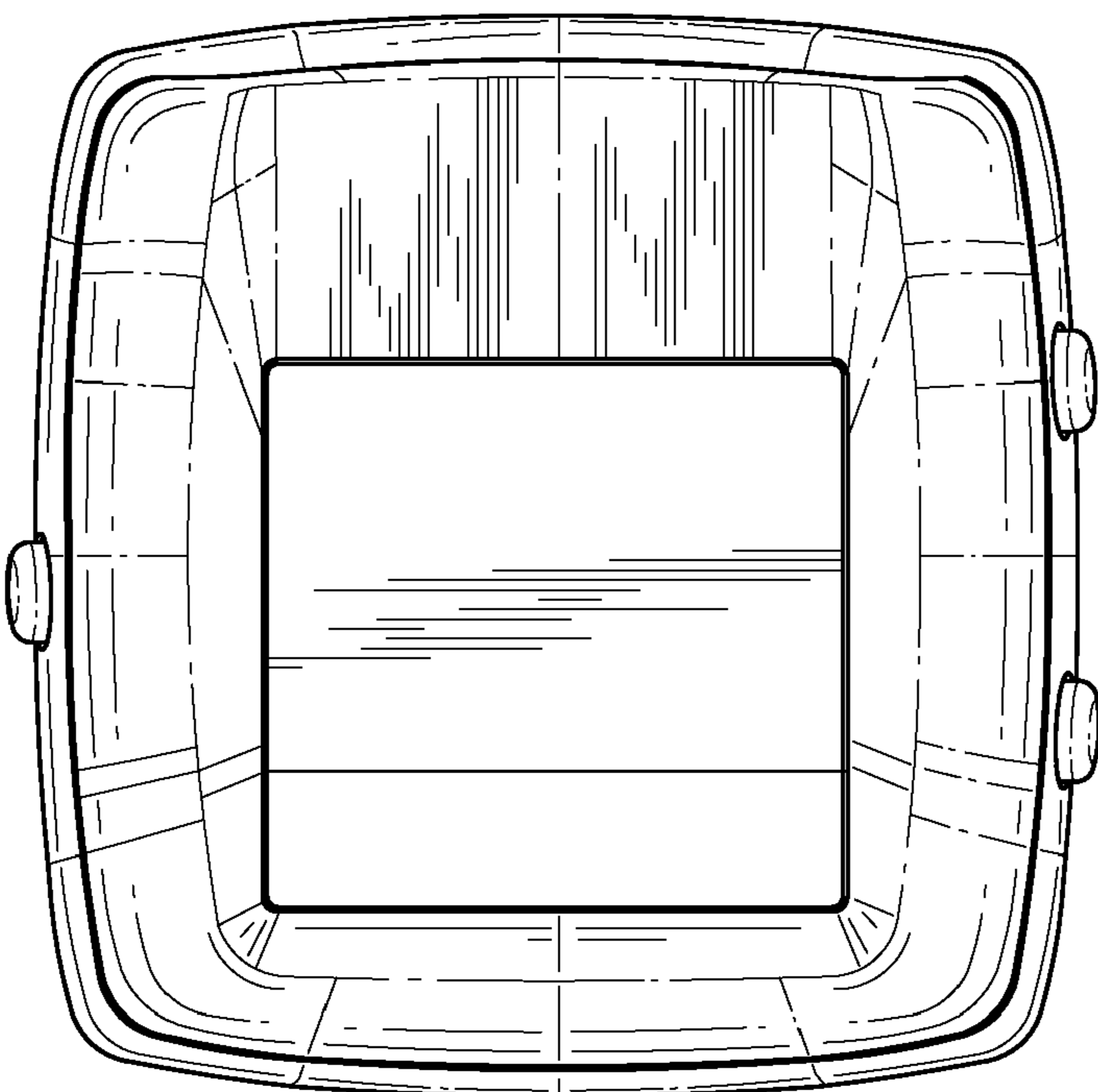


FIG. 7