



US00D627878S

(12) **United States Design Patent**
Bruns

(10) **Patent No.:** **US D627,878 S**

(45) **Date of Patent:** **** Nov. 23, 2010**

(54) **EXTERNAL CATHETER FOR A FEMALE USER**

(76) Inventor: **Dennis Bruns**, 6745 Harlan Dr., Eden Prairie, MN (US) 55346

(**) Term: **14 Years**

(21) Appl. No.: **29/360,343**

(22) Filed: **Apr. 23, 2010**

Related U.S. Application Data

(63) Continuation-in-part of application No. 11/621,107, filed on Jan. 8, 2007.

(51) **LOC (9) Cl.** **24-04**

(52) **U.S. Cl.** **D24/122; D24/112**

(58) **Field of Classification Search** D24/122, D24/123, 121, 224, 112, 118; D23/274, D23/302, 295, 309, 200; 4/144.1-144.4, 4/459, 460; 604/329, 330, 317, 318, 334; 600/573, 574

See application file for complete search history.

(56) **References Cited**

U.S. PATENT DOCUMENTS

- 2,182,254 A * 12/1939 Farrell 4/144.3
- D249,997 S * 10/1978 Lindquist D23/200
- D265,586 S * 7/1982 Sloan D24/122
- D290,880 S * 7/1987 Blanton D24/122

- 5,894,608 A * 4/1999 Birbara 4/144.3
- D418,918 S * 1/2000 Cunningham D24/122
- D450,118 S * 11/2001 Hyde D24/122
- D467,338 S * 12/2002 Rehrig D24/122
- 6,651,259 B1 * 11/2003 Hartman et al. 4/144.1
- D488,226 S * 4/2004 MacDonald et al. D24/122
- 6,754,914 B2 * 6/2004 Nakamura 4/144.1
- D560,801 S * 1/2008 Otto D24/122
- D607,995 S * 1/2010 Miller D24/122

* cited by examiner

Primary Examiner—David G Muller

(74) *Attorney, Agent, or Firm*—Roger Belfay

(57) **CLAIM**

The ornamental design for an external catheter for a female user, as shown and described herein.

DESCRIPTION

FIG. 1 is a side view of the external catheter for a female user.

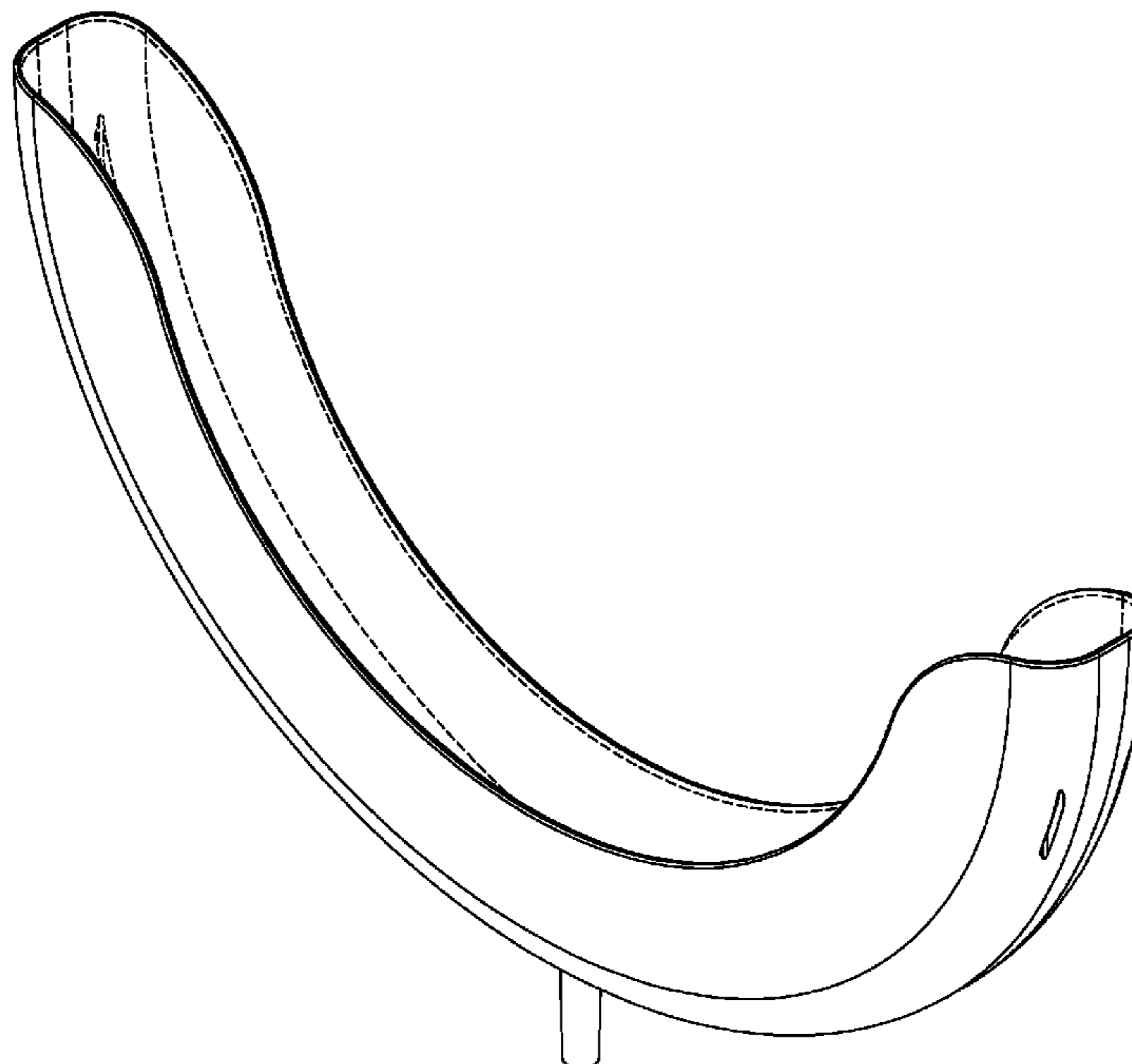
FIG. 2 is a bottom view of the external catheter for a female user.

FIG. 3 is a front view of the external catheter for a female user; and,

FIG. 4 is a perspective view of the external catheter for a female user.

The broken lines depict portions of the catheter that form no part of the claimed design.

1 Claim, 4 Drawing Sheets



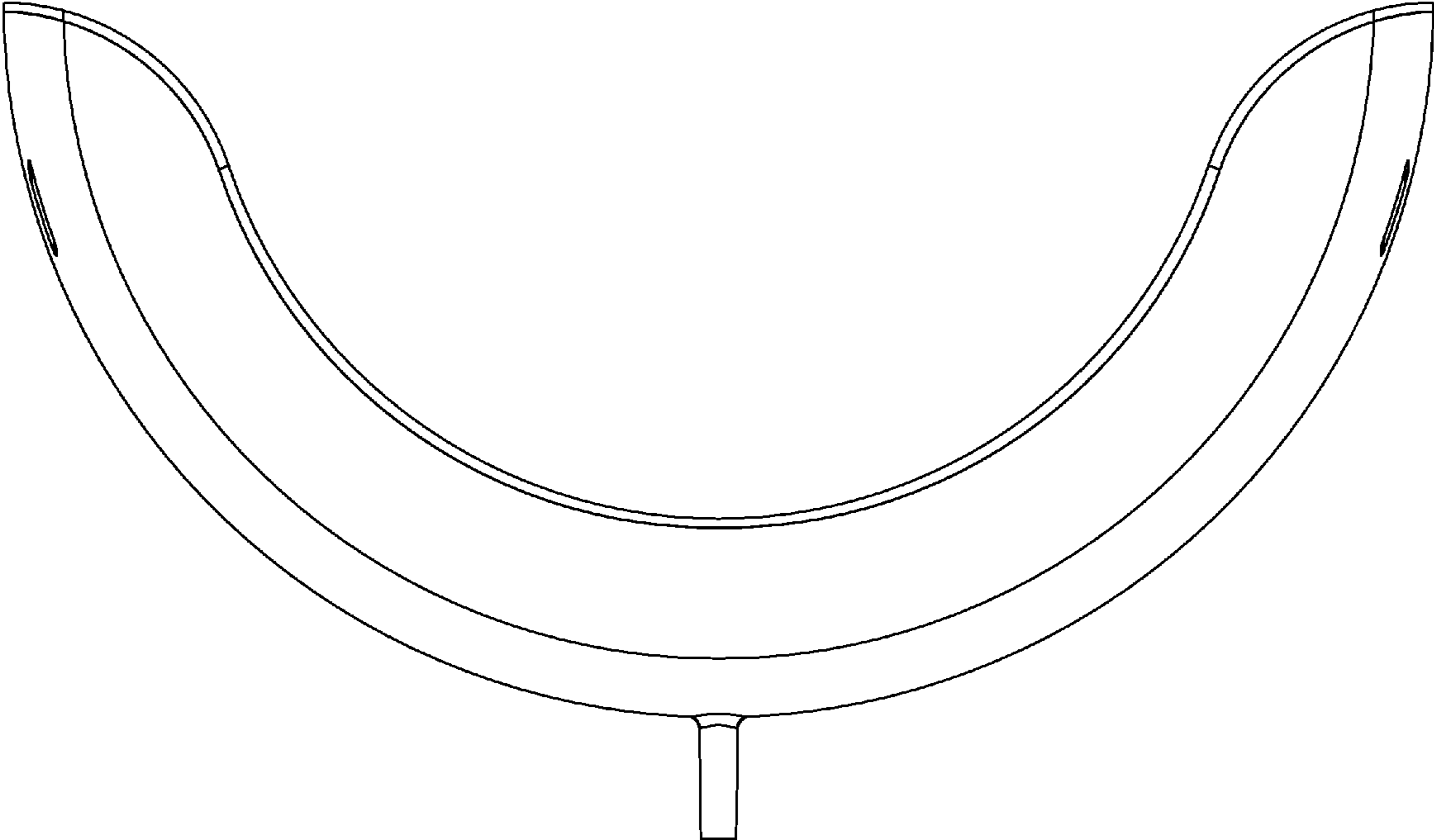


FIG. 1

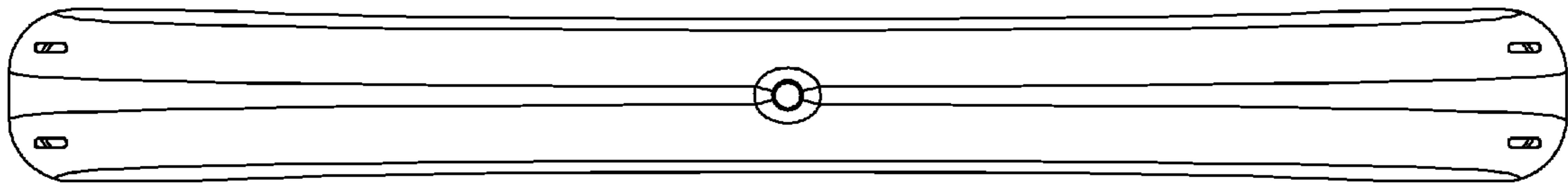


FIG. 2

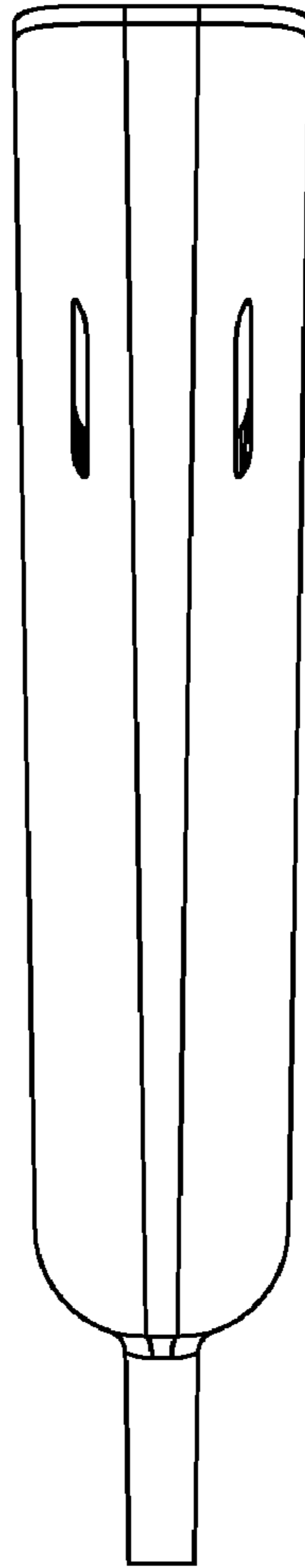


FIG. 3

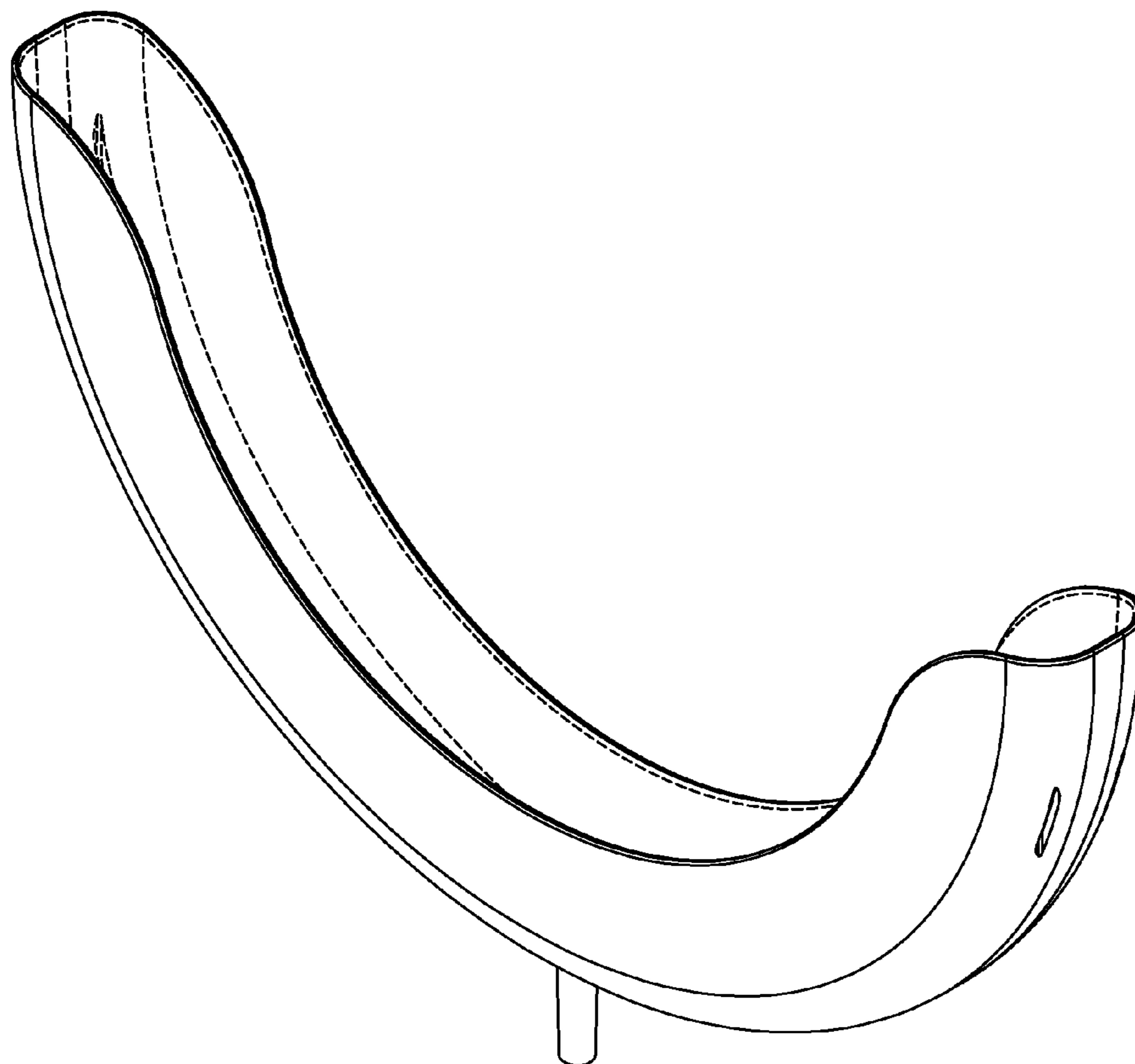


FIG. 4