



US00D627877S

(12) **United States Design Patent**  
**Schmelling et al.**

(10) **Patent No.:** **US D627,877 S**

(45) **Date of Patent:** **\*\* Nov. 23, 2010**

(54) **SYRINGE**

(75) Inventors: **Steffen Schmelling**, Copenhagen (DK);  
**Jette Wiborg Petersen**, Hørsholm (DK);  
**Martin Bue Bertelsen**, Copenhagen  
(DK); **Bettina Metzler**, Charlottenlund  
(DK)

(73) Assignee: **Ferrosan Medical Devices A/S**, Soeborg  
(DK)

(\*\*) Term: **14 Years**

(21) Appl. No.: **29/345,592**

(22) Filed: **Oct. 19, 2009**

(51) **LOC (9) Cl.** ..... **24-02**

(52) **U.S. Cl.** ..... **D24/114**

(58) **Field of Classification Search** ..... D24/112-114,  
D24/133, 186, 104, 130, 127, 176, 110, 110.5;  
606/181, 185; 604/232, 187, 158, 164.08,  
604/192, 263, 163, 181, 184, 198, 227; 128/859,  
128/848, 207.14, 207.15

See application file for complete search history.

(56) **References Cited**

**U.S. PATENT DOCUMENTS**

D383,205 S *	9/1997	Pagay et al.	.....	D24/112
D401,325 S *	11/1998	Hjertman et al.	.....	D24/114
D419,671 S *	1/2000	Jansen	.....	D24/112
D429,812 S *	8/2000	Hjertman et al.	.....	D24/114
D447,797 S *	9/2001	Odell et al.	.....	D24/112
D448,844 S *	10/2001	Reis	.....	D24/114

D461,243 S *	8/2002	Niedospial, Jr.	.....	D24/130
D489,819 S *	5/2004	Ford	.....	D24/114
D552,773 S *	10/2007	Greenberg	.....	D24/130
D574,954 S *	8/2008	Smith	.....	D24/114
D578,210 S *	10/2008	Muta et al.	.....	D24/114
D609,333 S *	2/2010	Holmes	.....	D24/114
D610,253 S *	2/2010	Kawamura	.....	D24/114

\* cited by examiner

*Primary Examiner*—David G Muller

(74) *Attorney, Agent, or Firm*—K. David Crockett, Esq.; Niky  
Economy Syrengelas, Esq.; Crockett & Crockett

(57) **CLAIM**

I claim the ornamental design for a syringe, as shown and  
described.

**DESCRIPTION**

FIG. 1 is a bottom left perspective view of the syringe;  
FIG. 2 is top left perspective view of the syringe;  
FIG. 3 is a front elevational view of the syringe, the rear  
elevation view being the same as the front elevation view;  
FIG. 4 is a right side elevational view of the syringe, the left  
side elvation view being the same as the right elevation view;  
FIG. 5 s a top plan view of the syringe; and,  
FIG. 6 is a bottom plan view of the syringe.

The broken line showing of parts of the drawings is included  
for the purpose of illustrating use and environment and forms  
no part of the claimed design.

**1 Claim, 3 Drawing Sheets**

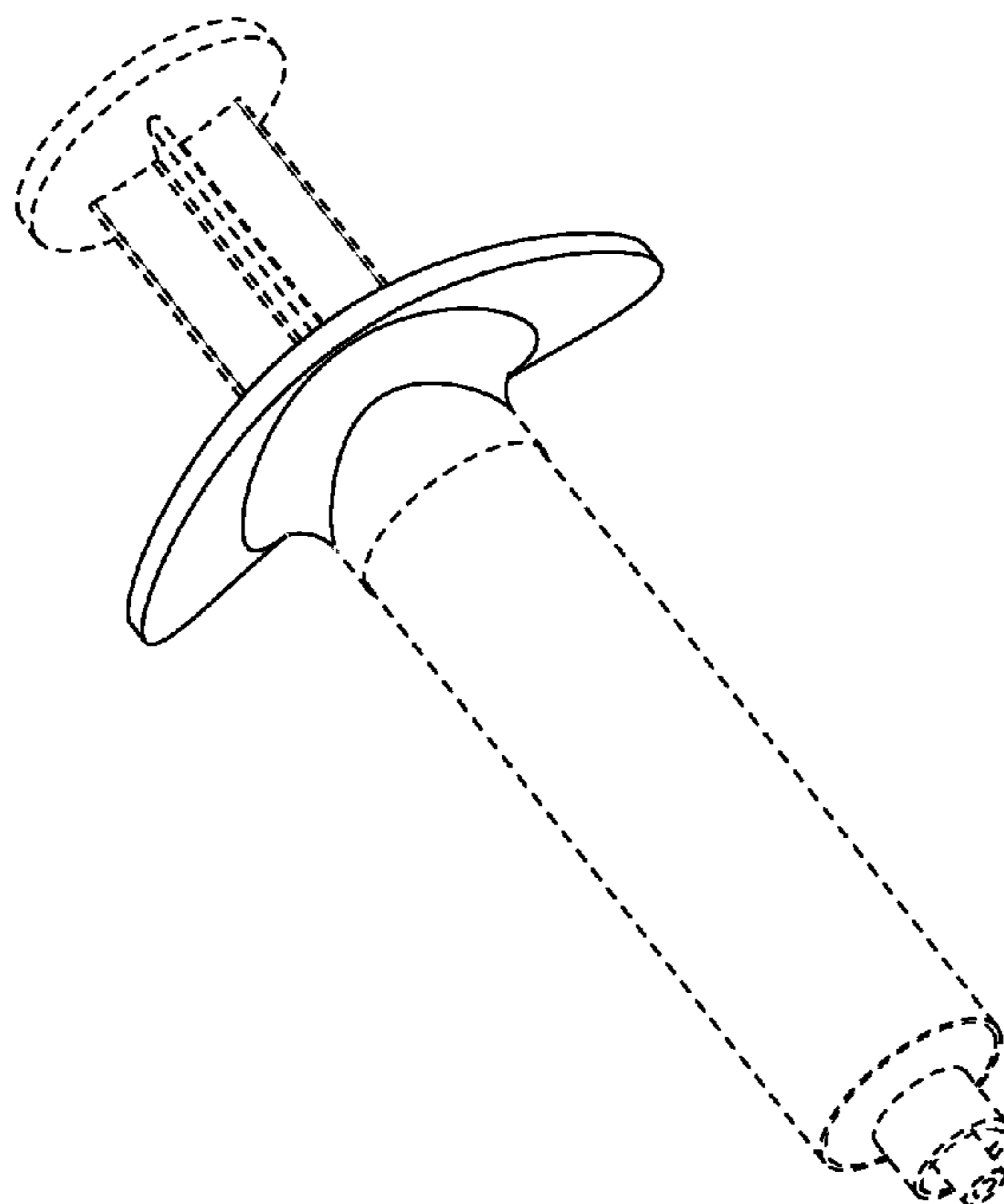


Fig. 1

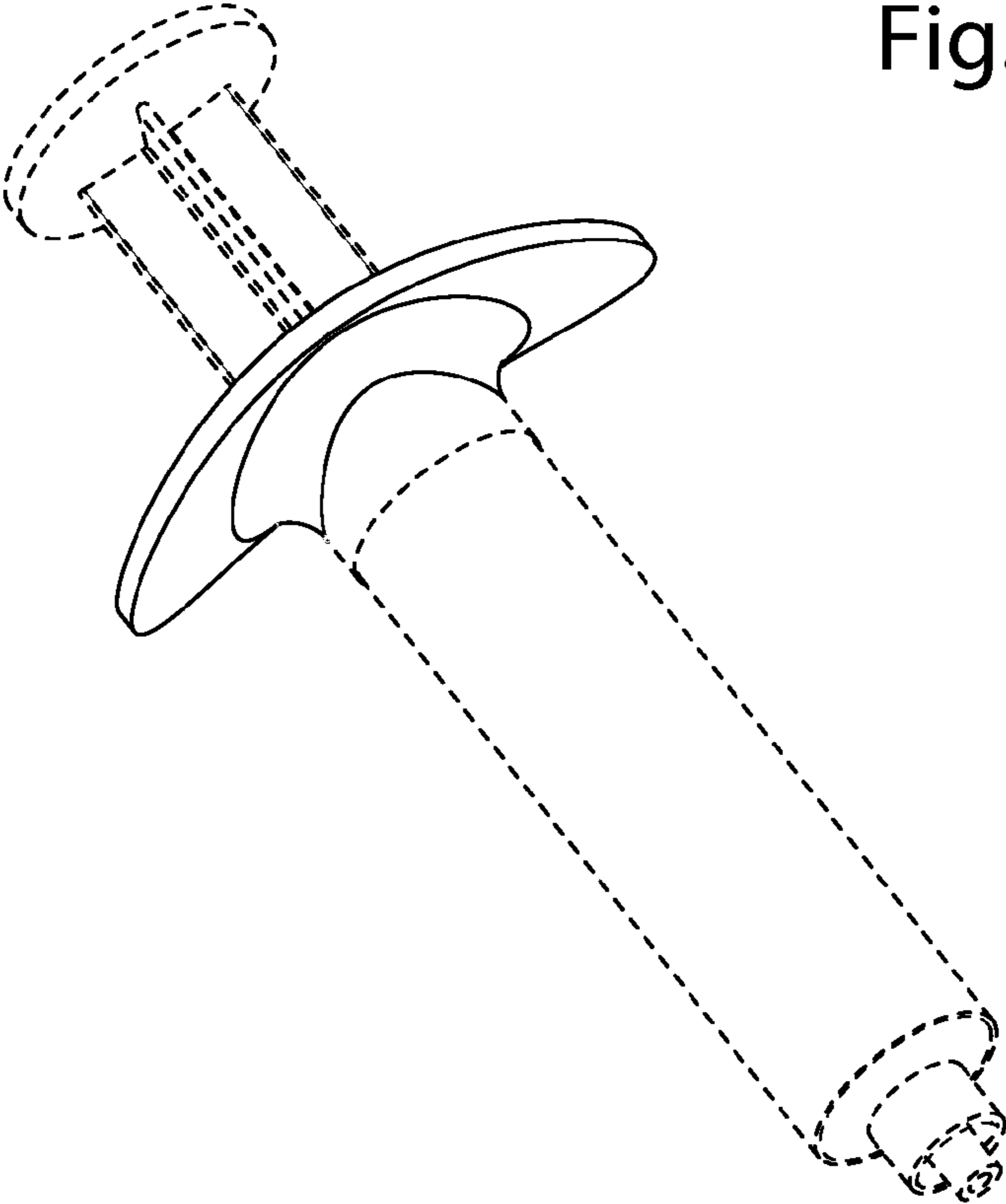


Fig. 2

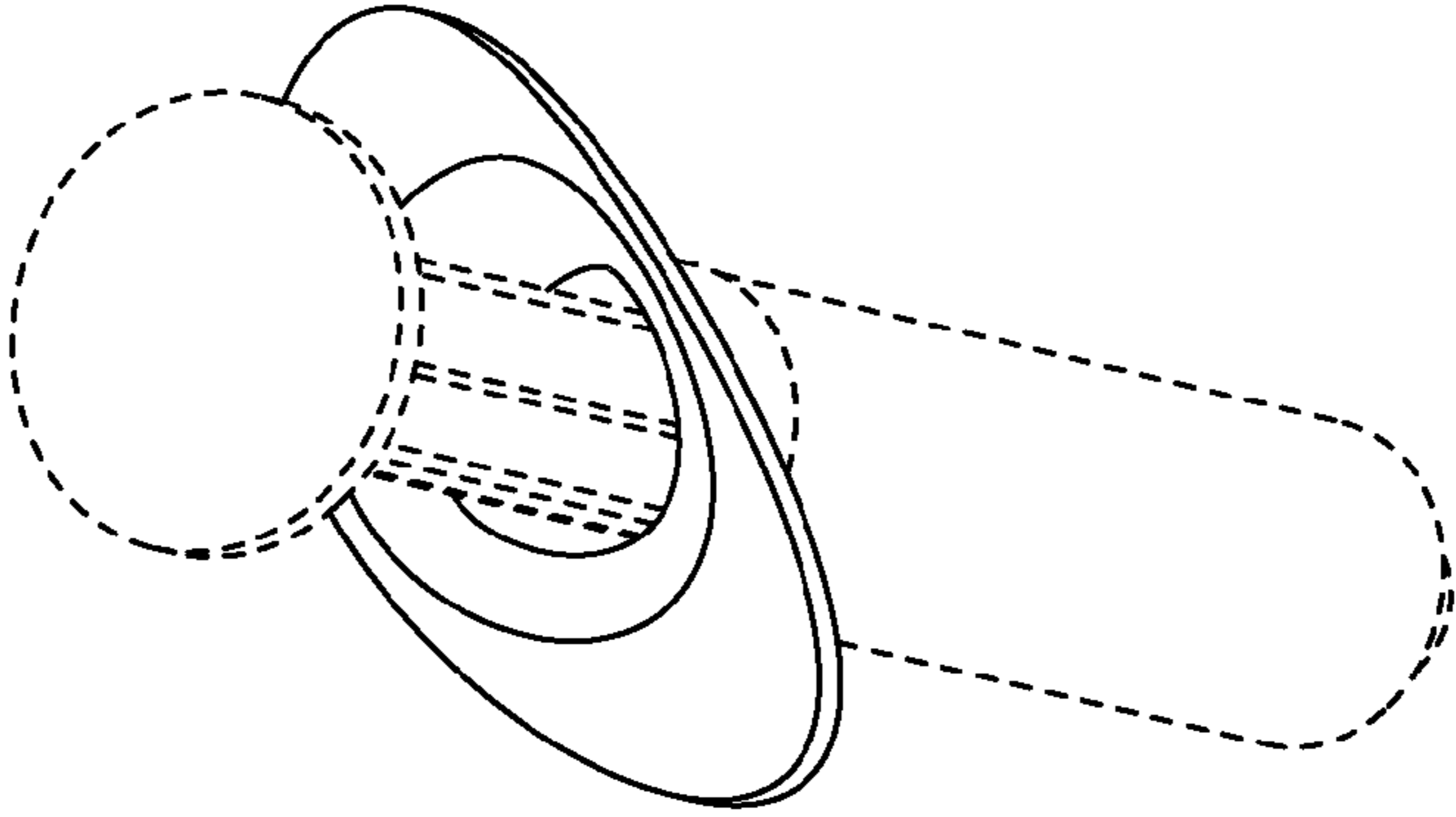


Fig. 3

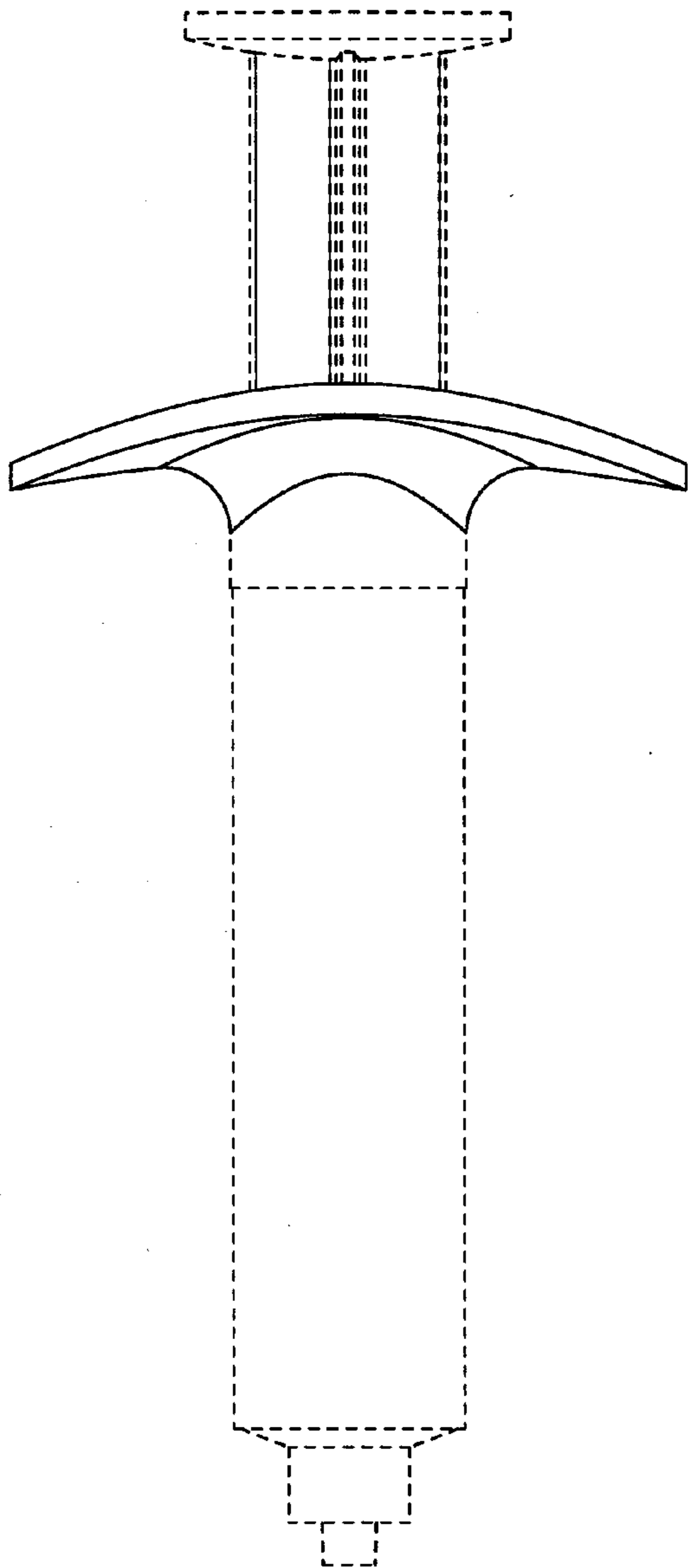


Fig. 4

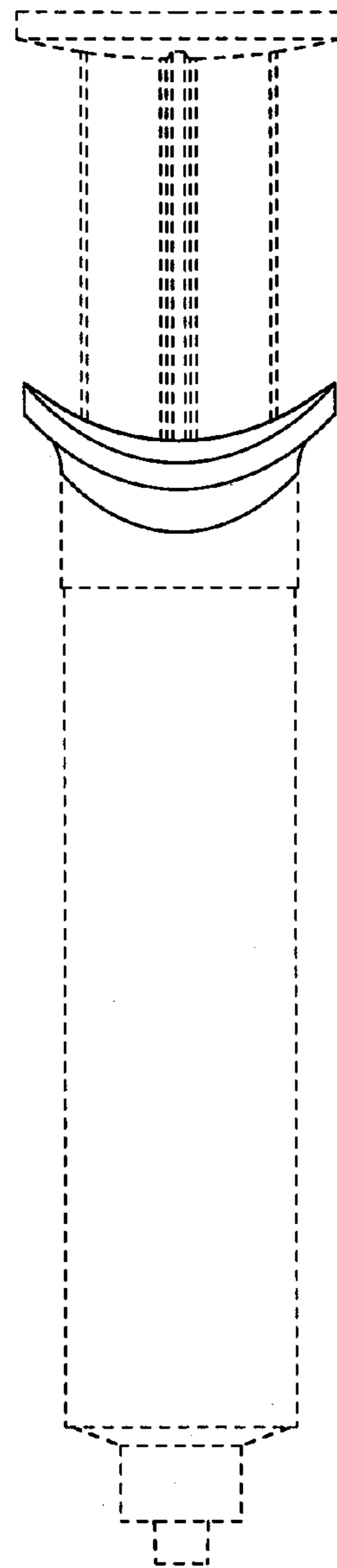


Fig. 5

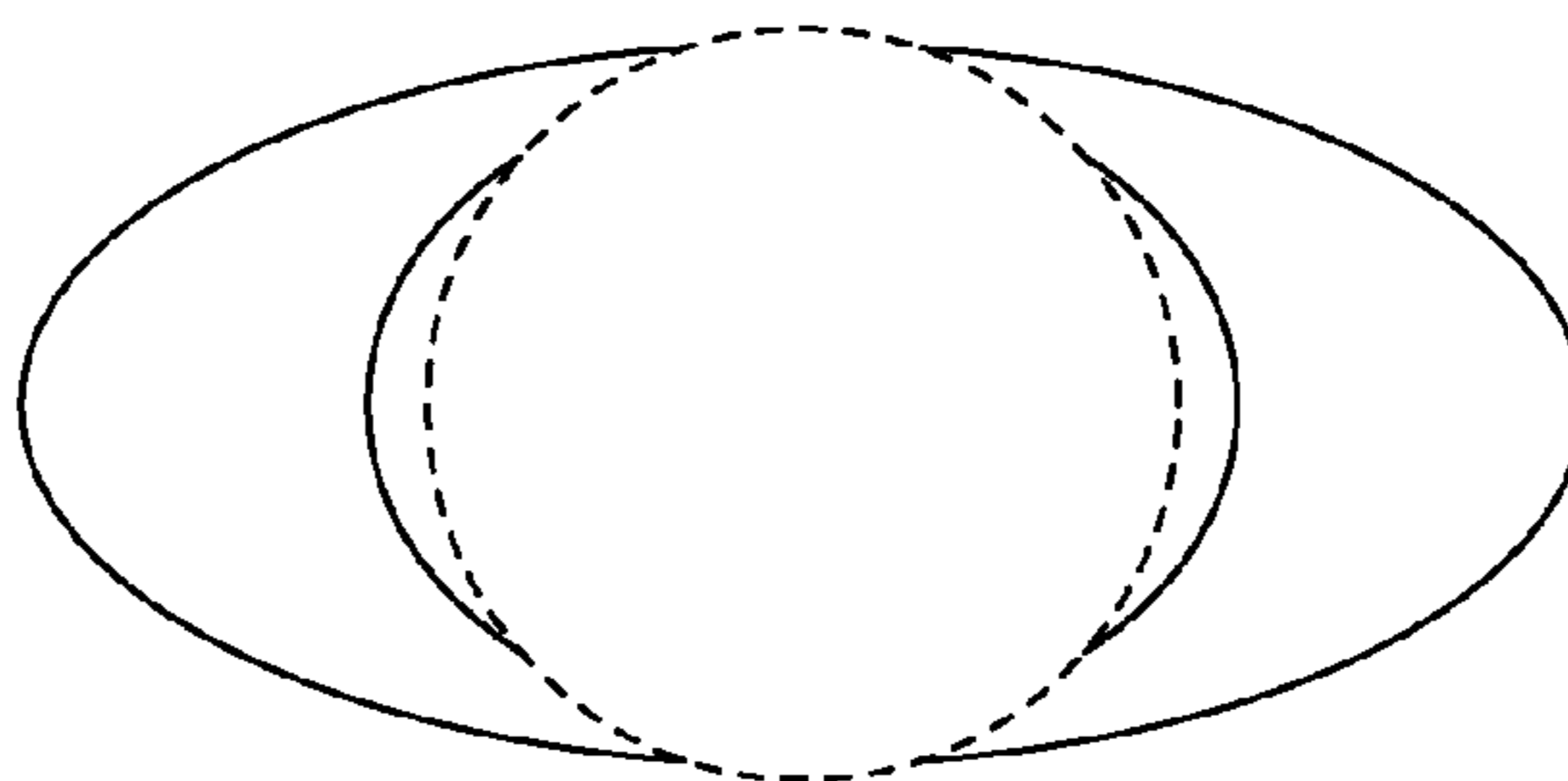


Fig. 6

