



US00D627876S

(12) **United States Design Patent**
Tong

(10) **Patent No.:** **US D627,876 S**

(45) **Date of Patent:** **** *Nov. 23, 2010**

(54) **MICRODERM ABRASION MACHINE**

(75) Inventor: **Cheng Tong**, Guangdong (CN)

(73) Assignee: **James Chapman**, Harrison, TN (US)

(*) Notice: This patent is subject to a terminal disclaimer.

(**) Term: **14 Years**

(21) Appl. No.: **29/319,913**

(22) Filed: **Jun. 17, 2008**

(51) **LOC (9) Cl.** **24-02**

(52) **U.S. Cl.** **D24/107**

(58) **Field of Classification Search** D24/107,
D24/108, 111, 200, 186, 185; D28/99; 606/9,
606/131, 132; 604/289; 451/87, 88
See application file for complete search history.

(56) **References Cited**

U.S. PATENT DOCUMENTS

D286,920	S	*	11/1986	Takigawa	D28/9
D286,921	S	*	11/1986	Takigawa	D28/9
D321,340	S	*	11/1991	Savio	D14/335
D326,920	S	*	6/1992	Ridolfo	D24/200
6,250,996	B1	*	6/2001	Metcalf et al.	451/87
D489,816	S	*	5/2004	Ross	D24/107
7,232,444	B2	*	6/2007	Chang	606/131
D548,326	S	*	8/2007	Asai	D24/107

7,651,508	B2	*	1/2010	Vierk	606/131
2001/0023351	A1	*	9/2001	Eilers et al.	606/131
2003/0093089	A1	*	5/2003	Greenberg	606/131
2006/0116674	A1	*	6/2006	Goble et al.	606/41
2007/0156124	A1	*	7/2007	Ignon et al.	606/9

* cited by examiner

Primary Examiner—Ian Simmons

Assistant Examiner—Carissa C Fitts

(74) *Attorney, Agent, or Firm*—Stephen J. Stark; Miller & Martin PLLC

(57) **CLAIM**

The ornamental design for a microderm abrasion machine, as is shown and described herein.

DESCRIPTION

FIG. 1 is a perspective view of a microderm abrasion machine;

FIG. 2 is a right side view thereof;

FIG. 3 is a left side view thereof;

FIG. 4 is a front view thereof;

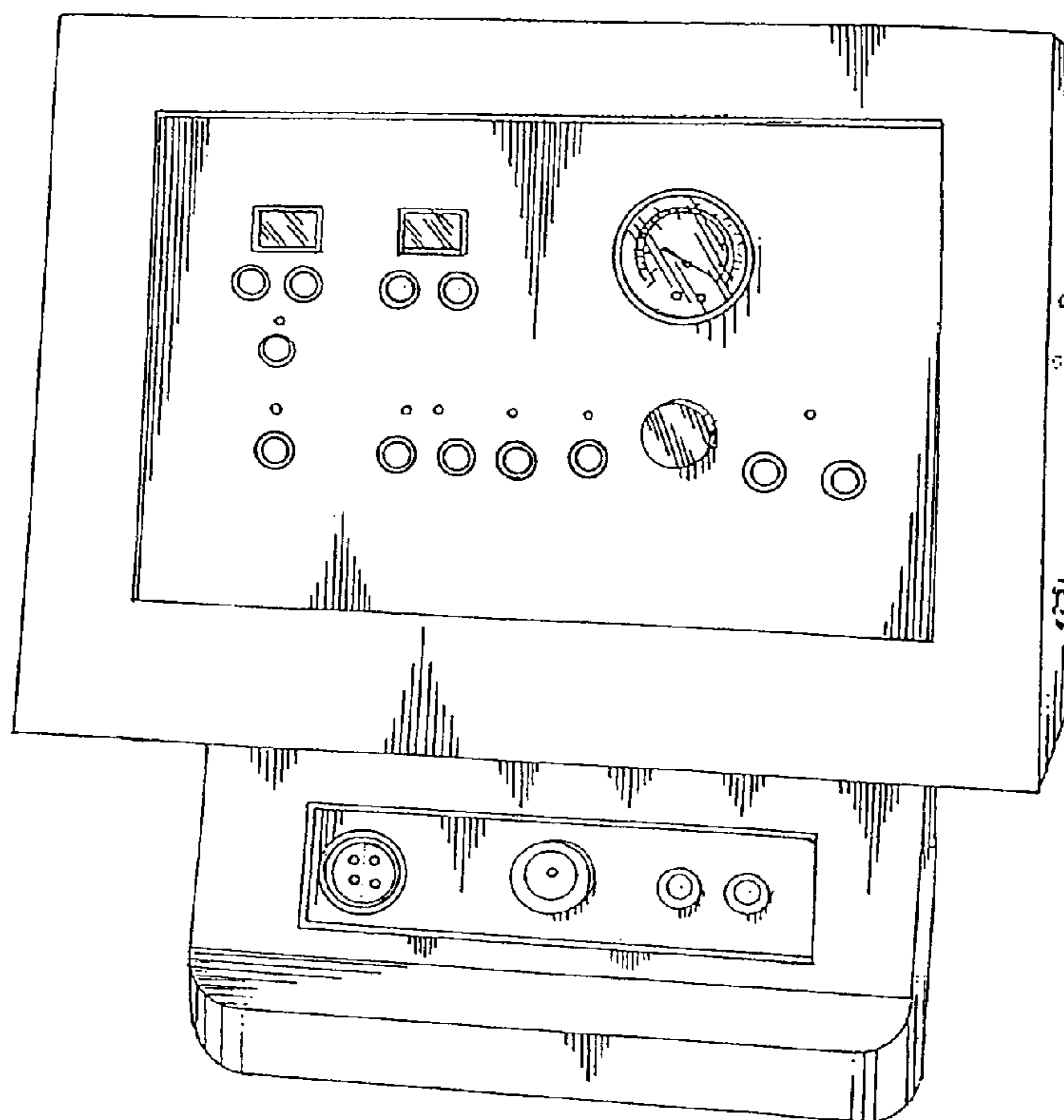
FIG. 5 is a rear view thereof;

FIG. 6 is a top view thereof; and,

FIG. 7 is a bottom view thereof.

The broken line showing is for environmental purposes only and forms no part of the claimed design.

1 Claim, 3 Drawing Sheets



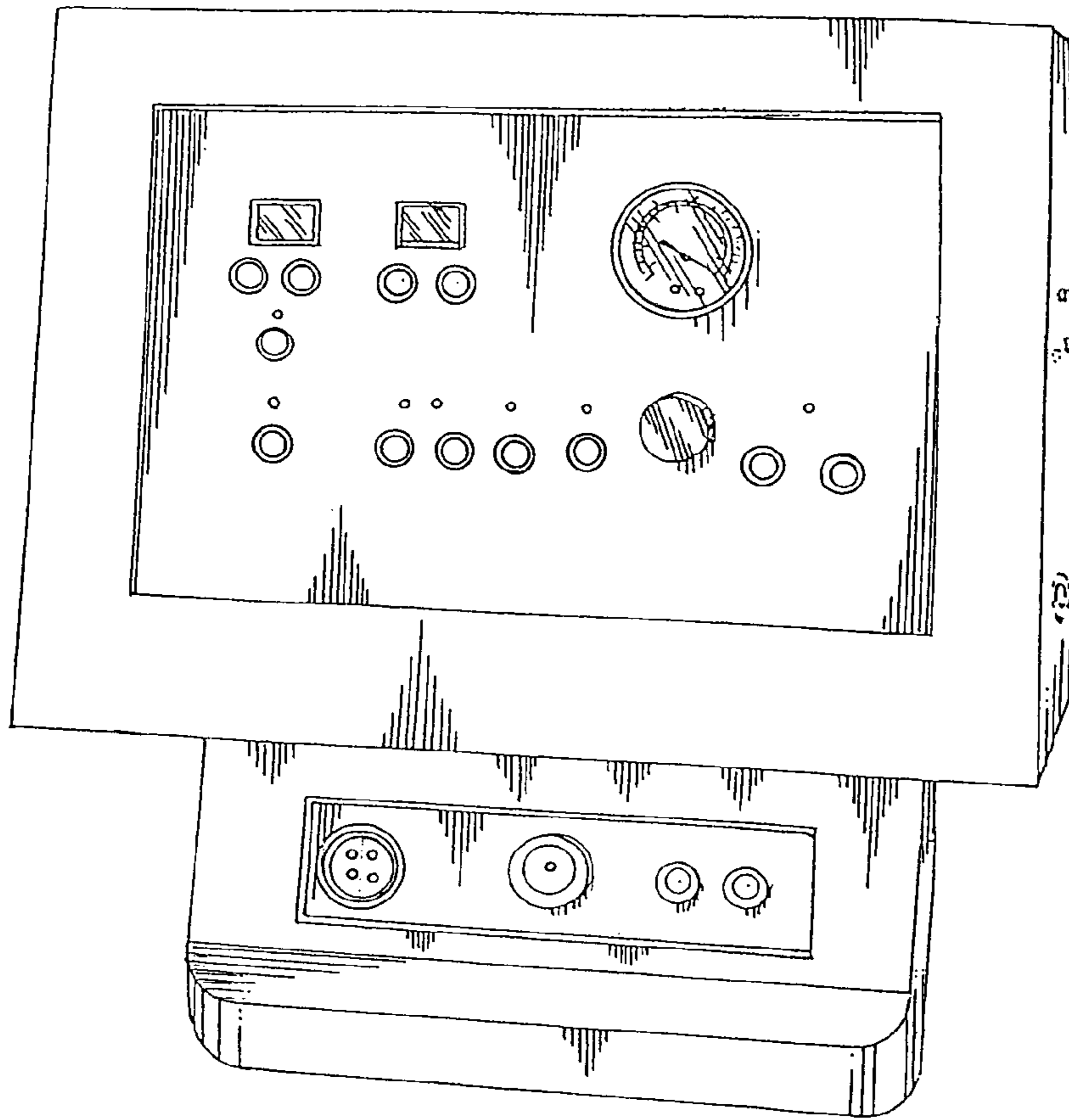


FIG. 1

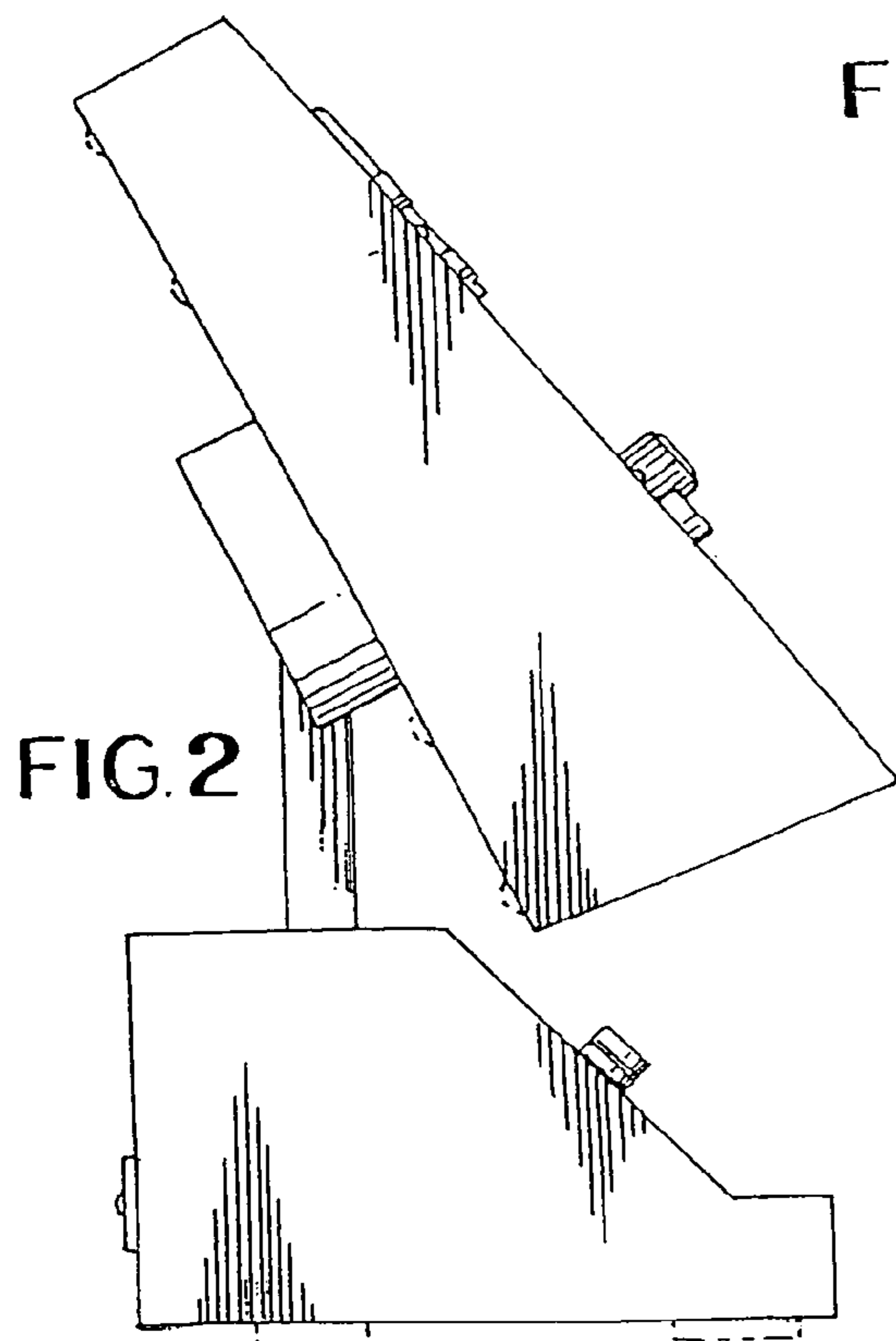


FIG. 2

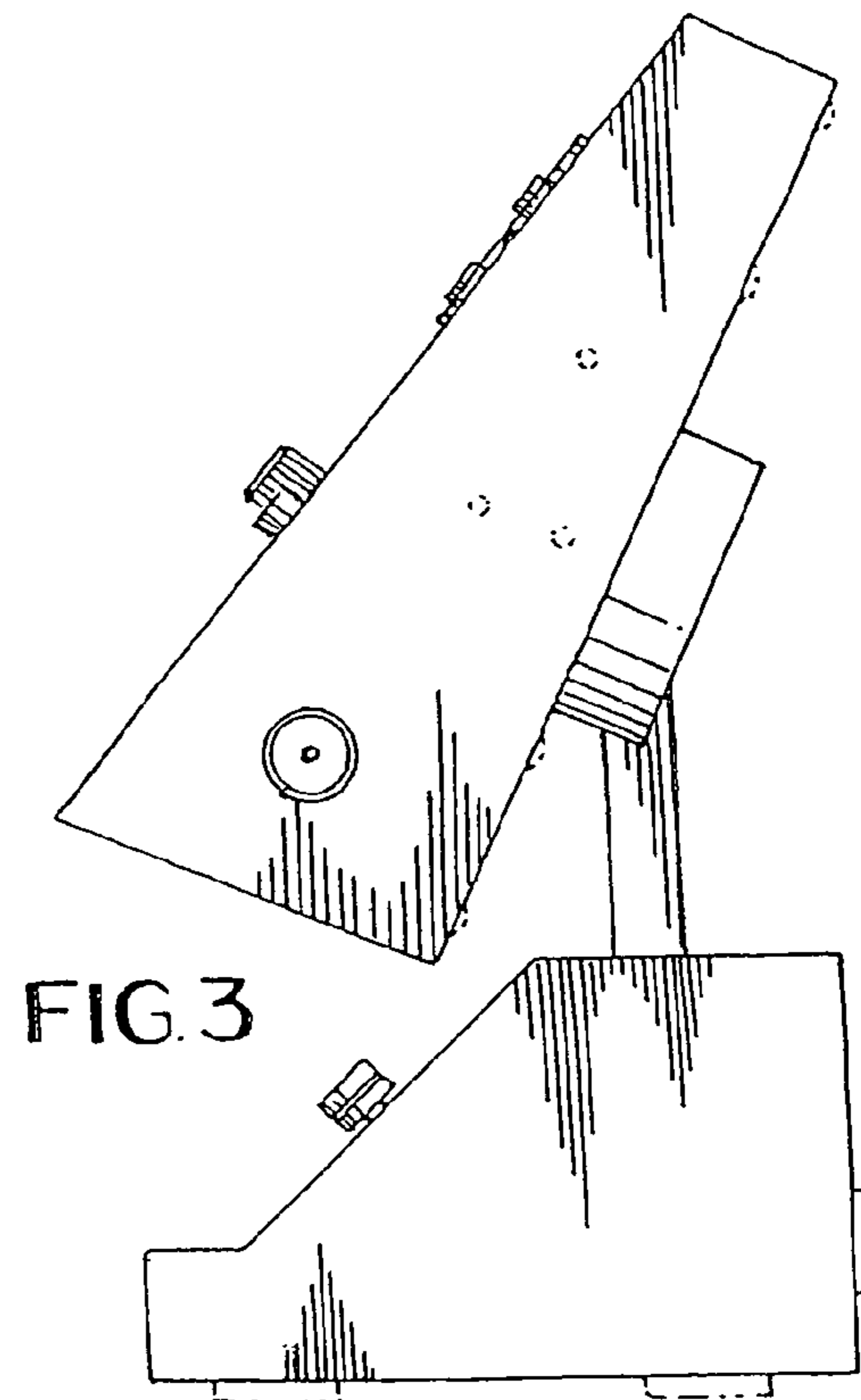


FIG. 3

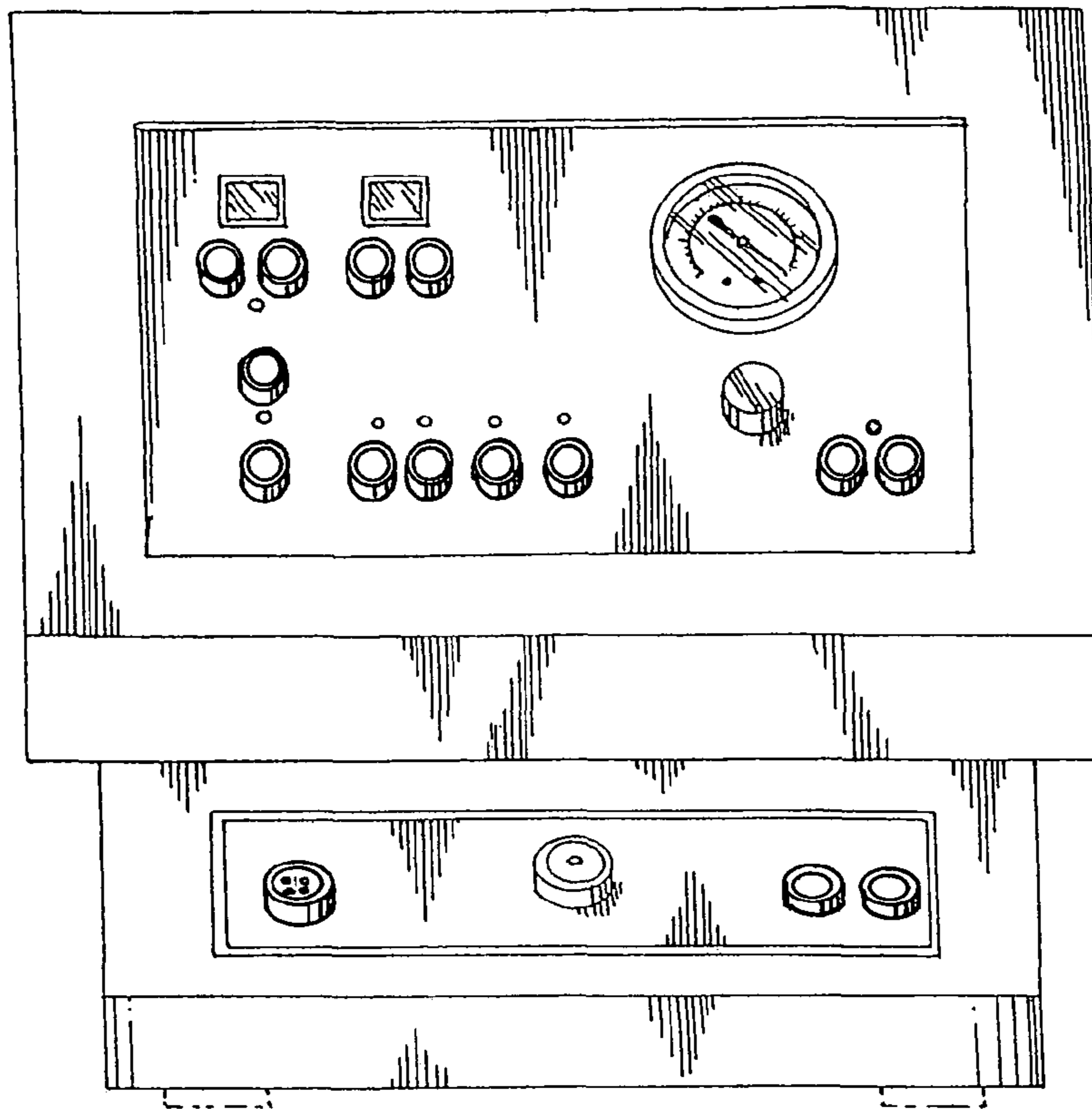
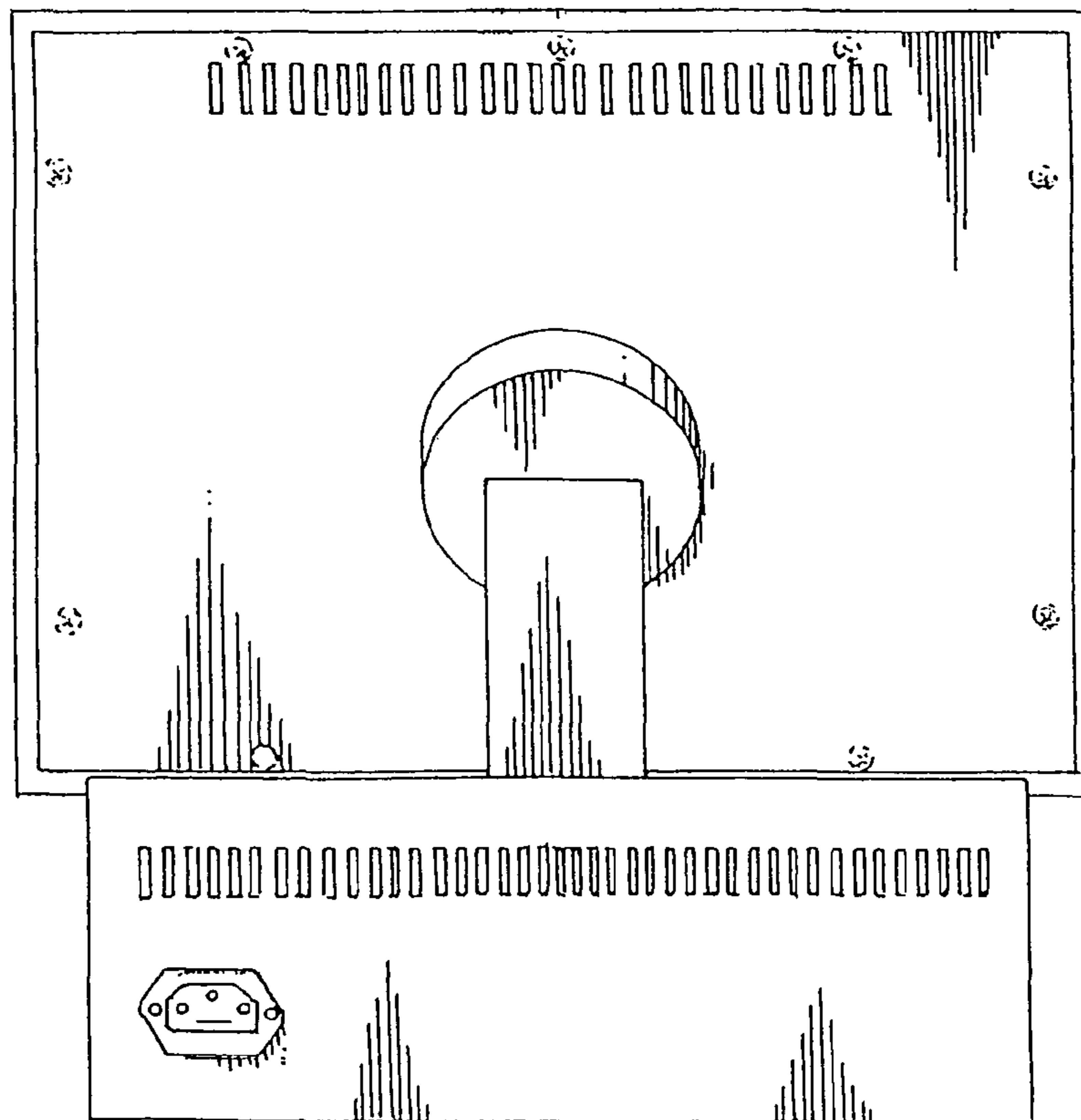


FIG. 4

FIG. 5



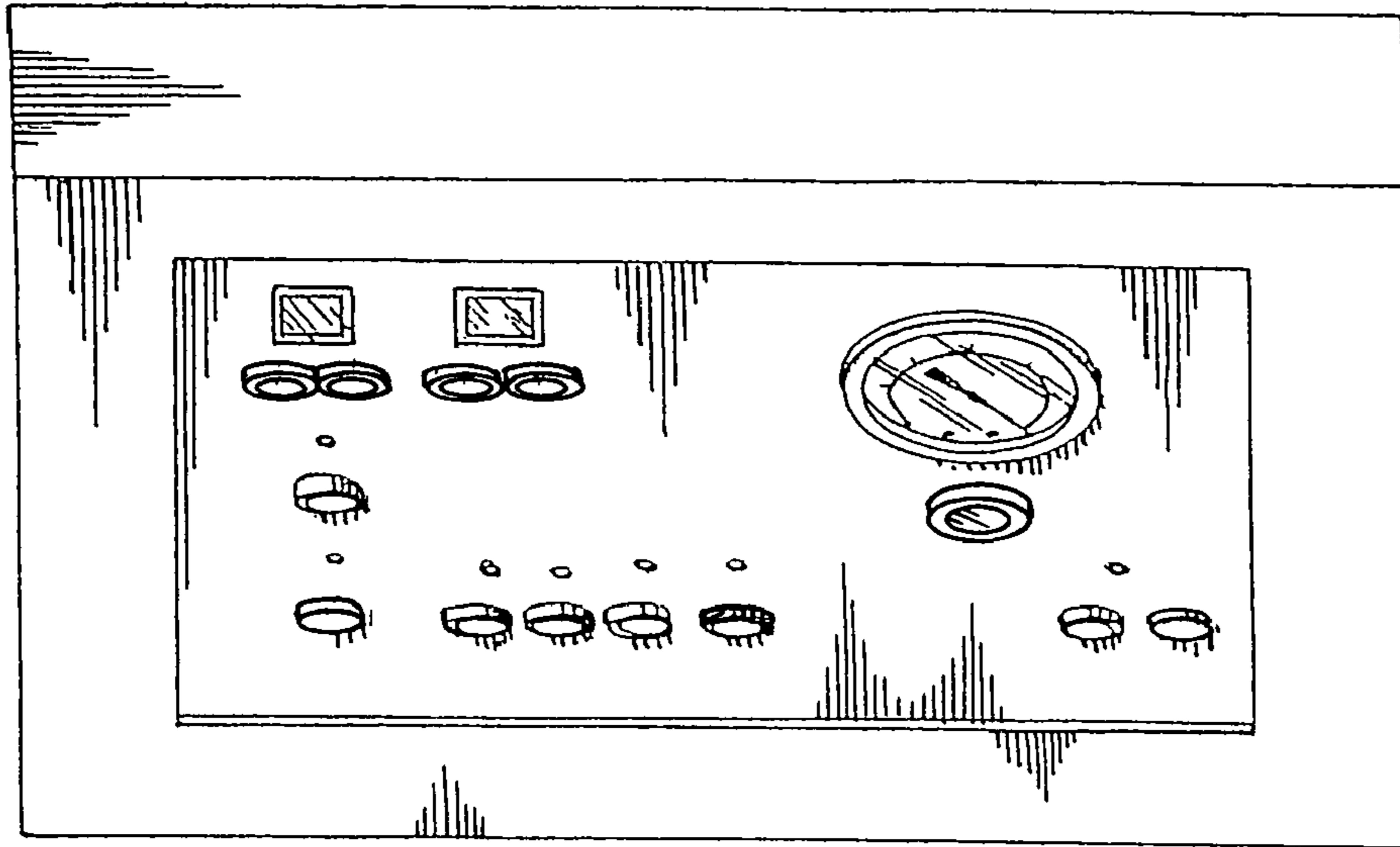


FIG. 6

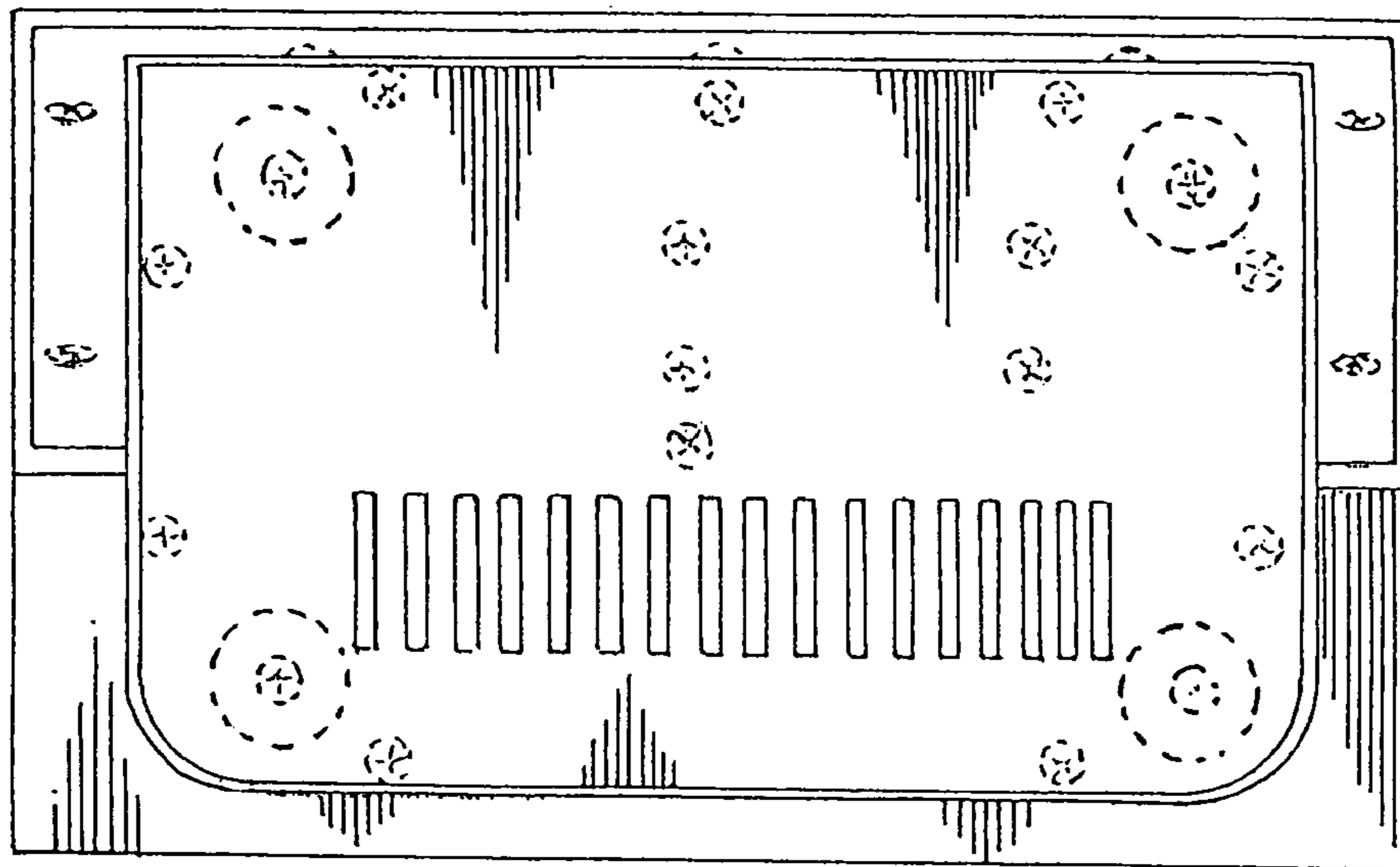


FIG. 7