



US00D627874S

(12) **United States Design Patent**  
**Pan**

(10) **Patent No.:** **US D627,874 S**

(45) **Date of Patent:** **\*\* Nov. 23, 2010**

(54) **CEILING FAN MOTOR HOUSING AND LIGHT KIT**

(75) Inventor: **Peter Pan**, Shetzu (TW)

(73) Assignee: **Air Cool Industrial Co., Ltd.**, Taichung County (TW)

(\*\*) Term: **14 Years**

(21) Appl. No.: **29/364,728**

(22) Filed: **Jun. 28, 2010**

(51) **LOC (9) Cl.** ..... **23-04**

(52) **U.S. Cl.** ..... **D23/411**

(58) **Field of Classification Search** ..... D23/377,  
D23/379, 385, 411, 413; 416/5; D26/59,  
D26/72, 81-86, 88, 51

See application file for complete search history.

(56) **References Cited**

**U.S. PATENT DOCUMENTS**

|              |        |                  |       |         |
|--------------|--------|------------------|-------|---------|
| D427,672 S * | 7/2000 | Lee              | ..... | D23/377 |
| D525,699 S * | 7/2006 | Davenport et al. | ..... | D23/377 |
| D535,014 S * | 1/2007 | Pickett          | ..... | D23/411 |
| D594,957 S * | 6/2009 | Pickett          | ..... | D23/377 |
| D596,733 S * | 7/2009 | Kihara           | ..... | D23/377 |

\* cited by examiner

*Primary Examiner*—Lisa P Lichtenstein

(74) *Attorney, Agent, or Firm*—Ming Chow; Sinorica, LLC

(57) **CLAIM**

The ornamental design for a ceiling fan motor housing and light kit, as shown and described.

**DESCRIPTION**

FIG. 1 is a front perspective view of a ceiling fan motor housing and light kit showing my new design;

FIG. 2 is a front elevational view thereof;

FIG. 3 is a rear elevational view thereof.

FIG. 4 is a left side elevational view thereof;

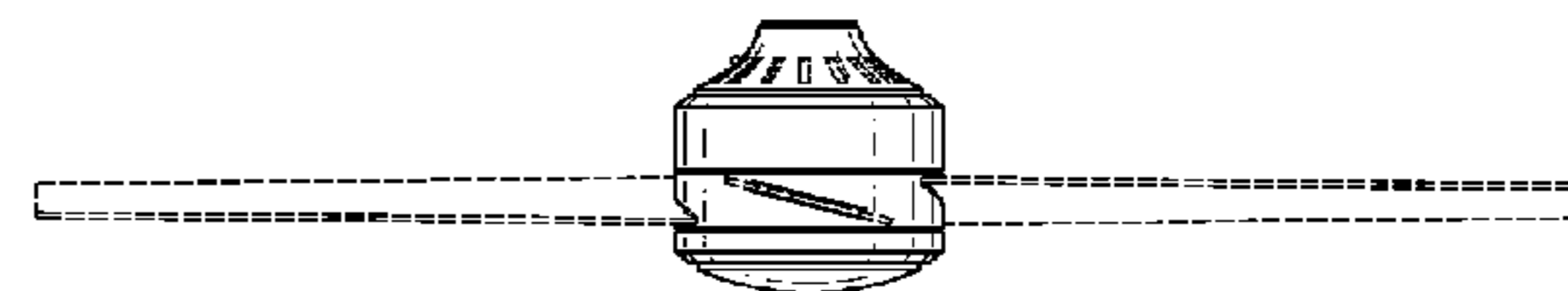
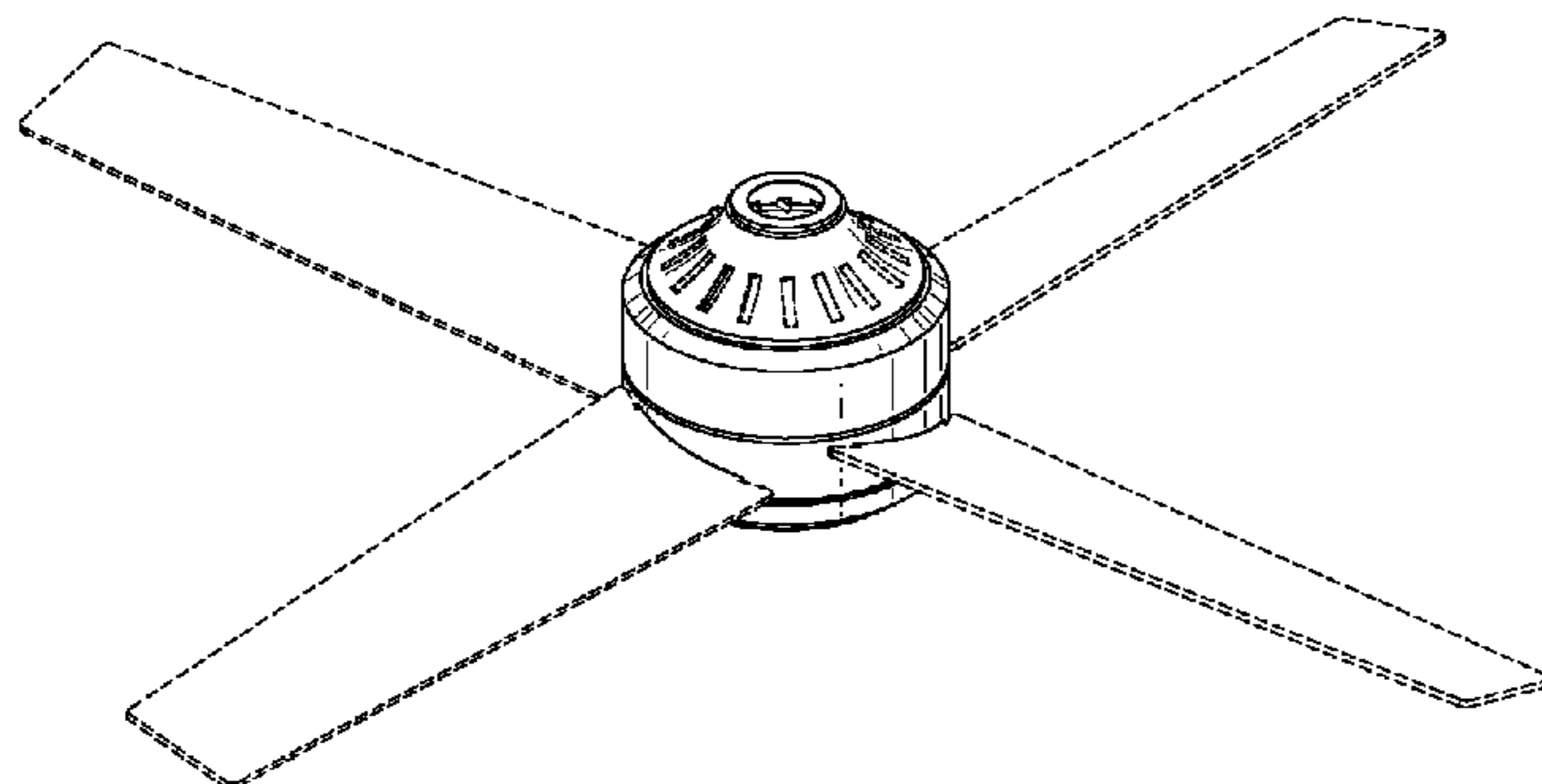
FIG. 5 is a right side elevational view thereof;

FIG. 6 is a top plan view thereof; and,

FIG. 7 is a bottom plan view thereof.

The broken line showing of portions of a ceiling fan motor housing and light kit is included for the purpose of illustrating environmental structure and forms no part of the claimed design.

**1 Claim, 5 Drawing Sheets**



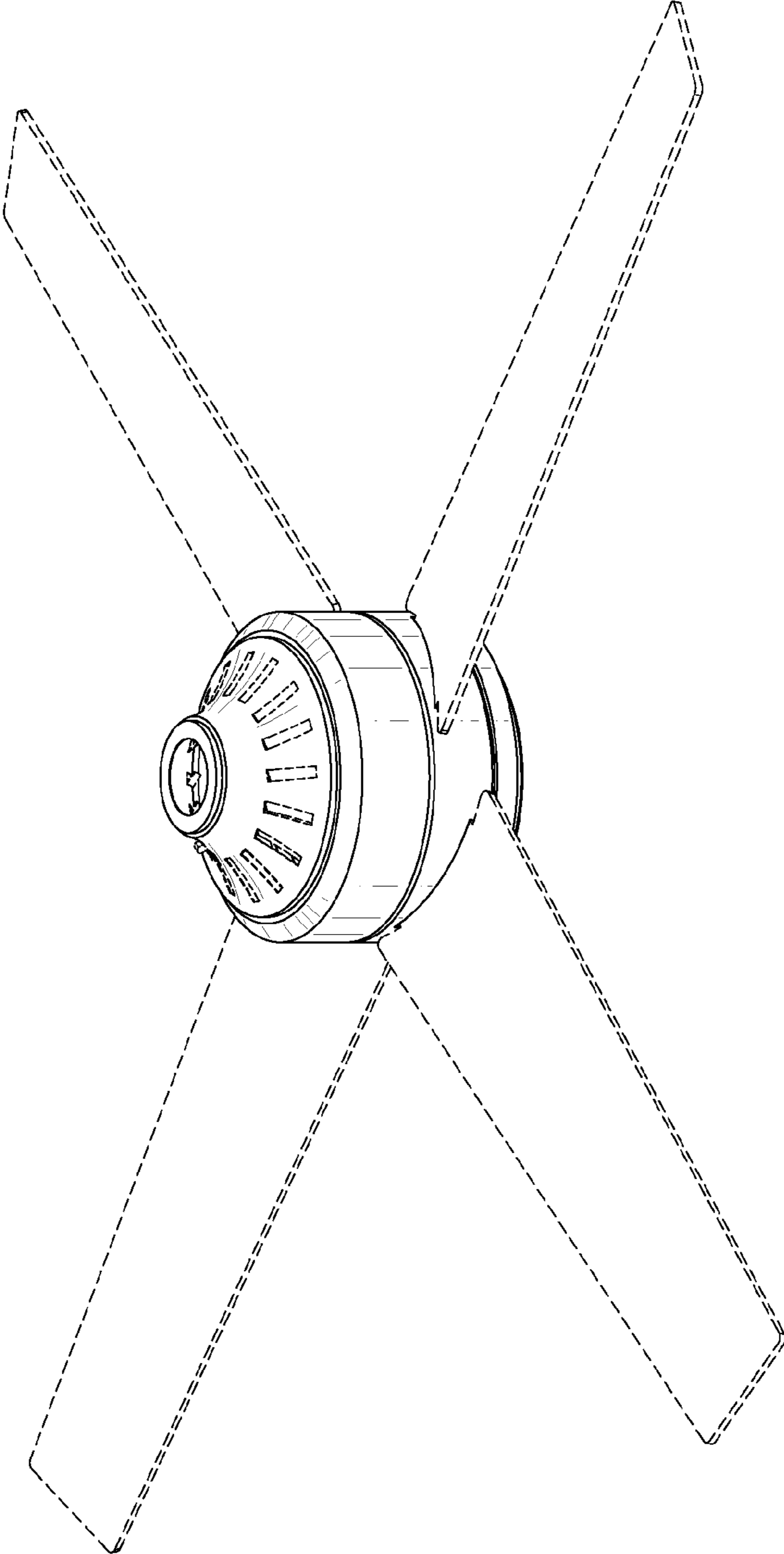


FIG. 1

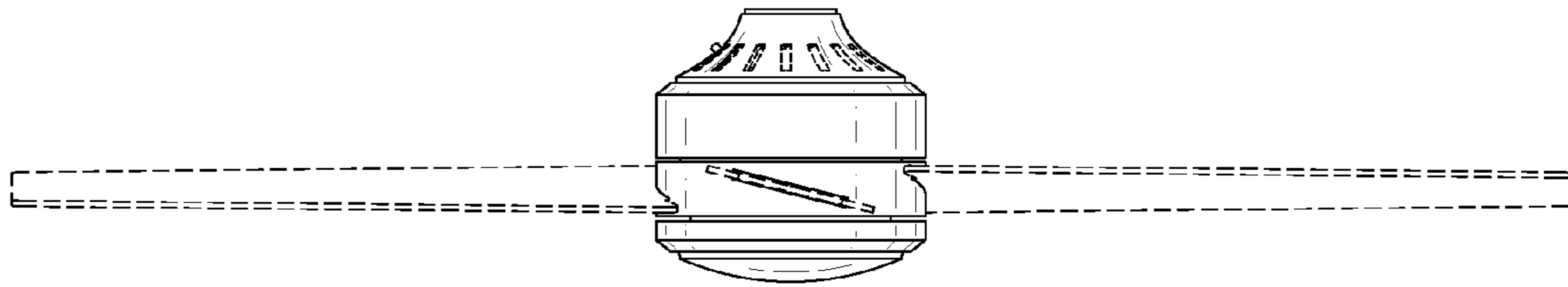


FIG. 2

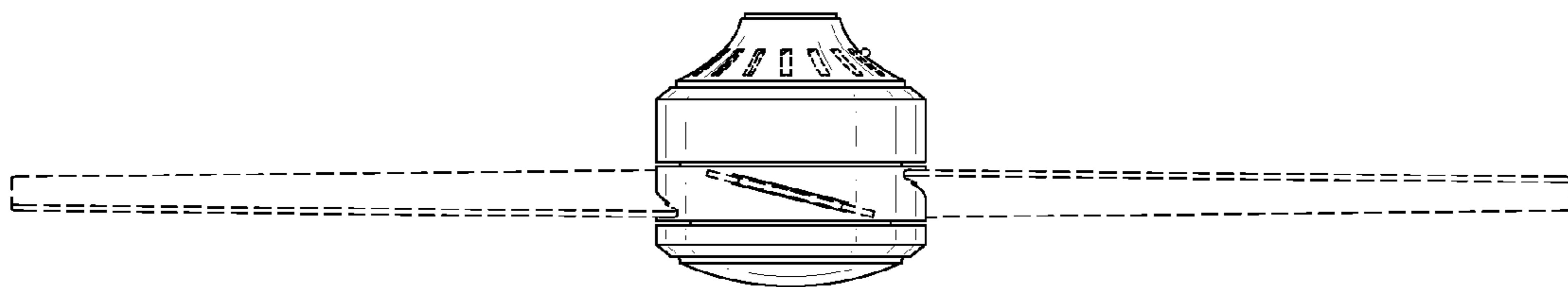


FIG. 3

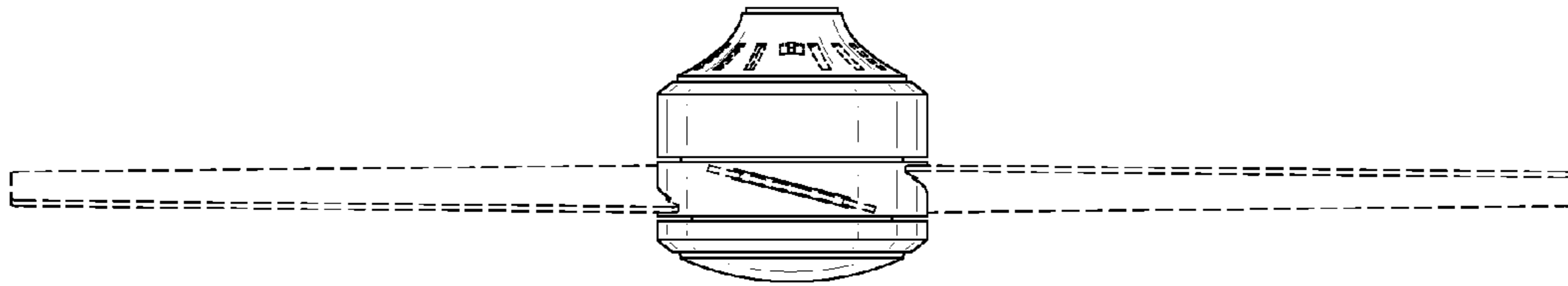


FIG. 4

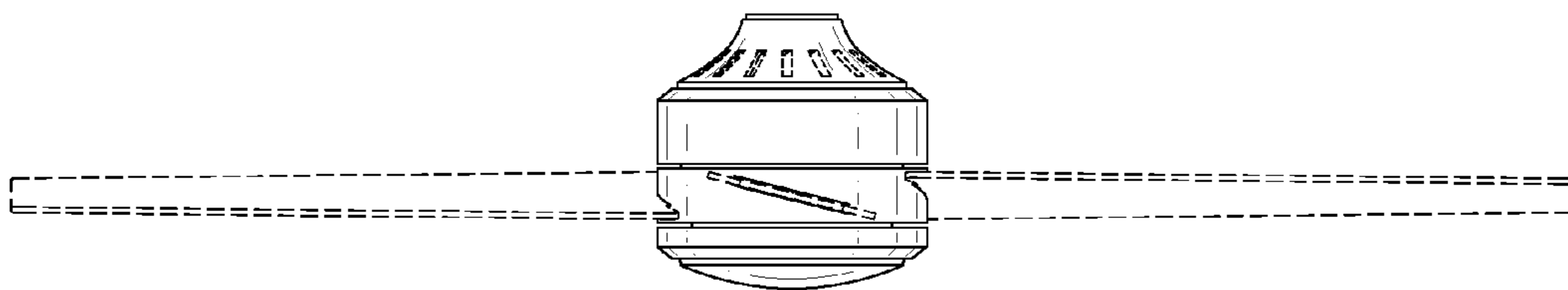


FIG. 5

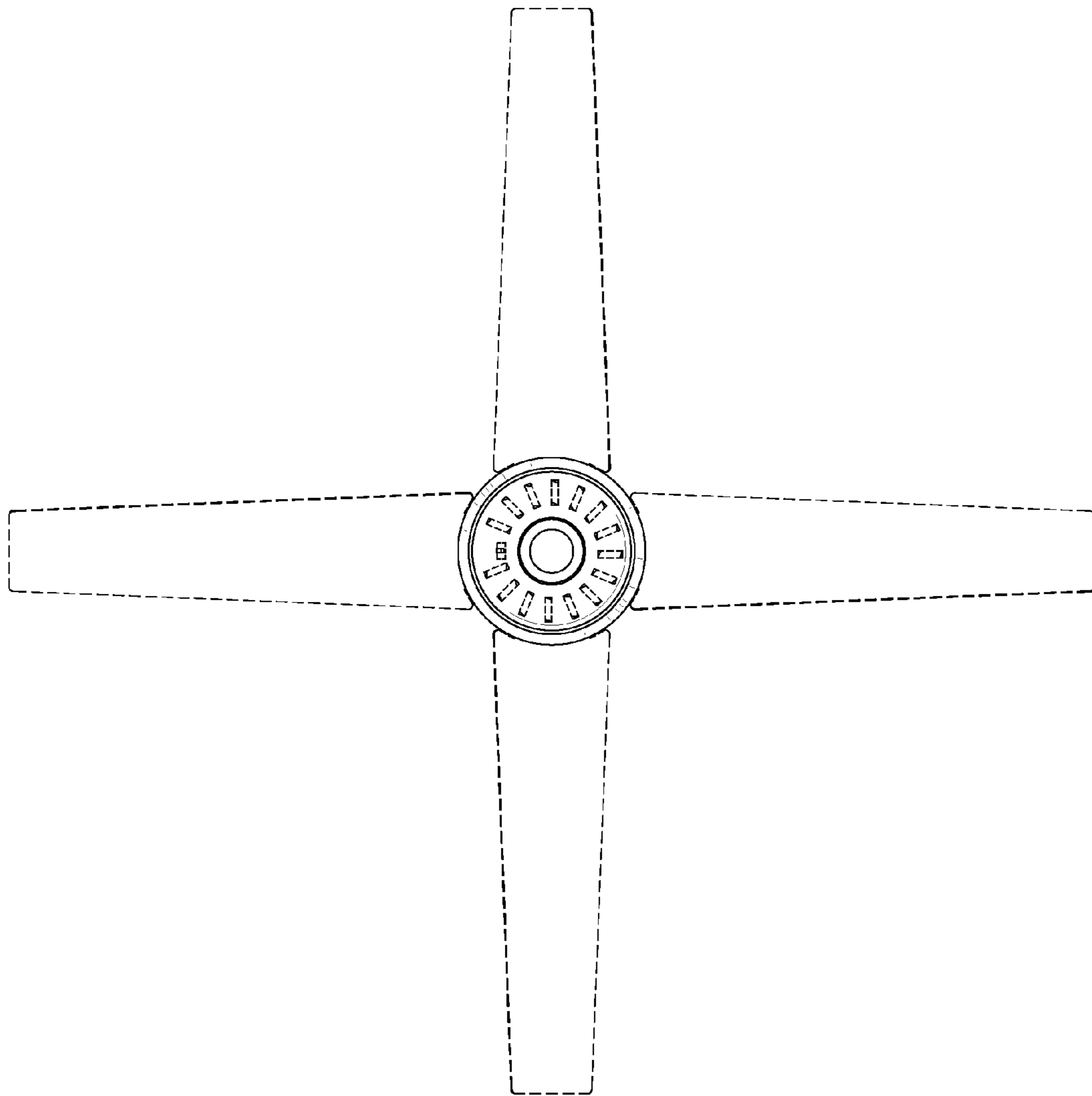


FIG. 6

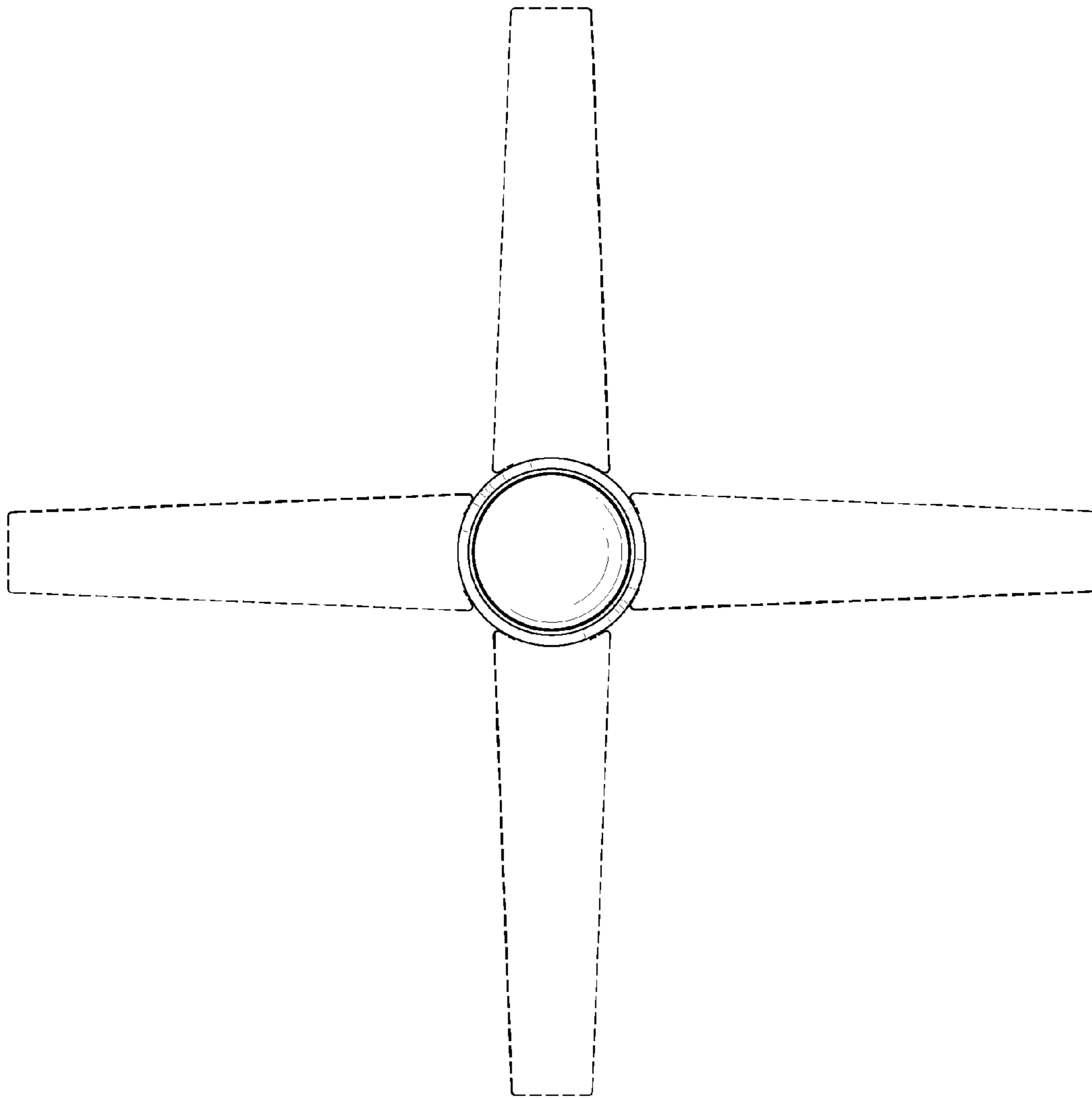


FIG. 7