



US00D627873S

(12) **United States Design Patent**
Pan

(10) **Patent No.:** **US D627,873 S**

(45) **Date of Patent:** **** Nov. 23, 2010**

(54) **CEILING FAN MOTOR HOUSING**

(75) Inventor: **Peter Pan**, Shetzu (TW)

(73) Assignee: **Air Cool Industrial Co., Ltd.**, Taichung County (TW)

(**) Term: **14 Years**

(21) Appl. No.: **29/364,662**

(22) Filed: **Jun. 25, 2010**

(51) **LOC (9) Cl.** **23-04**

(52) **U.S. Cl.** **D23/411**

(58) **Field of Classification Search** D23/377,
D23/379, 385, 411, 413; 416/5; D26/59,
D26/72, 81-86, 88, 51

See application file for complete search history.

(56) **References Cited**

U.S. PATENT DOCUMENTS

D427,672 S *	7/2000	Lee	D23/377
D525,699 S *	7/2006	Davenport et al.	D23/377
D535,014 S *	1/2007	Pickett	D23/411
D594,957 S *	6/2009	Pickett	D23/377
D596,733 S *	7/2009	Kihara	D23/377

* cited by examiner

Primary Examiner—Lisa P Lichtenstein

(74) *Attorney, Agent, or Firm*—Ming Chow Sinorica, LLC

(57) **CLAIM**

The ornamental design for a ceiling fan motor housing, as shown and described.

DESCRIPTION

FIG. 1 is a front perspective view of a ceiling fan motor housing showing my new design;

FIG. 2 is a front elevational view thereof;

FIG. 3 is a rear elevational view thereof.

FIG. 4 is a left side elevational view thereof;

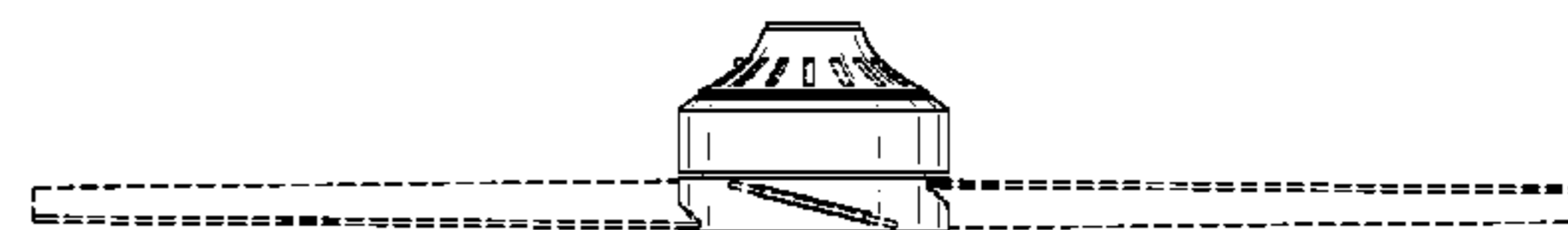
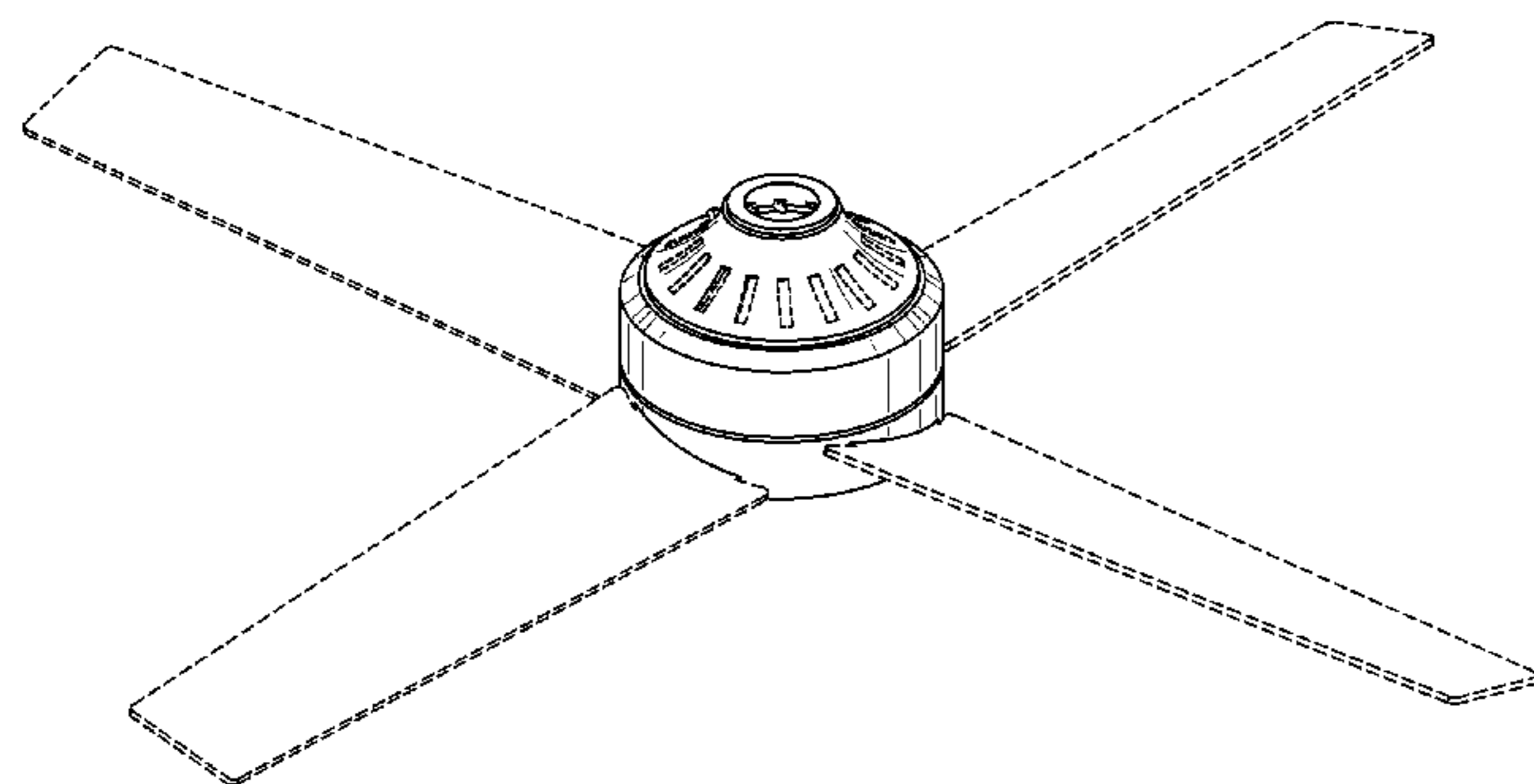
FIG. 5 is a right side elevational view thereof;

FIG. 6 is a top plan view thereof; and,

FIG. 7 is a bottom plan view thereof.

The broken line showing of portions of a ceiling fan motor housing is included for the purpose of illustrating environmental structure and forms no part of the claimed design.

1 Claim, 5 Drawing Sheets



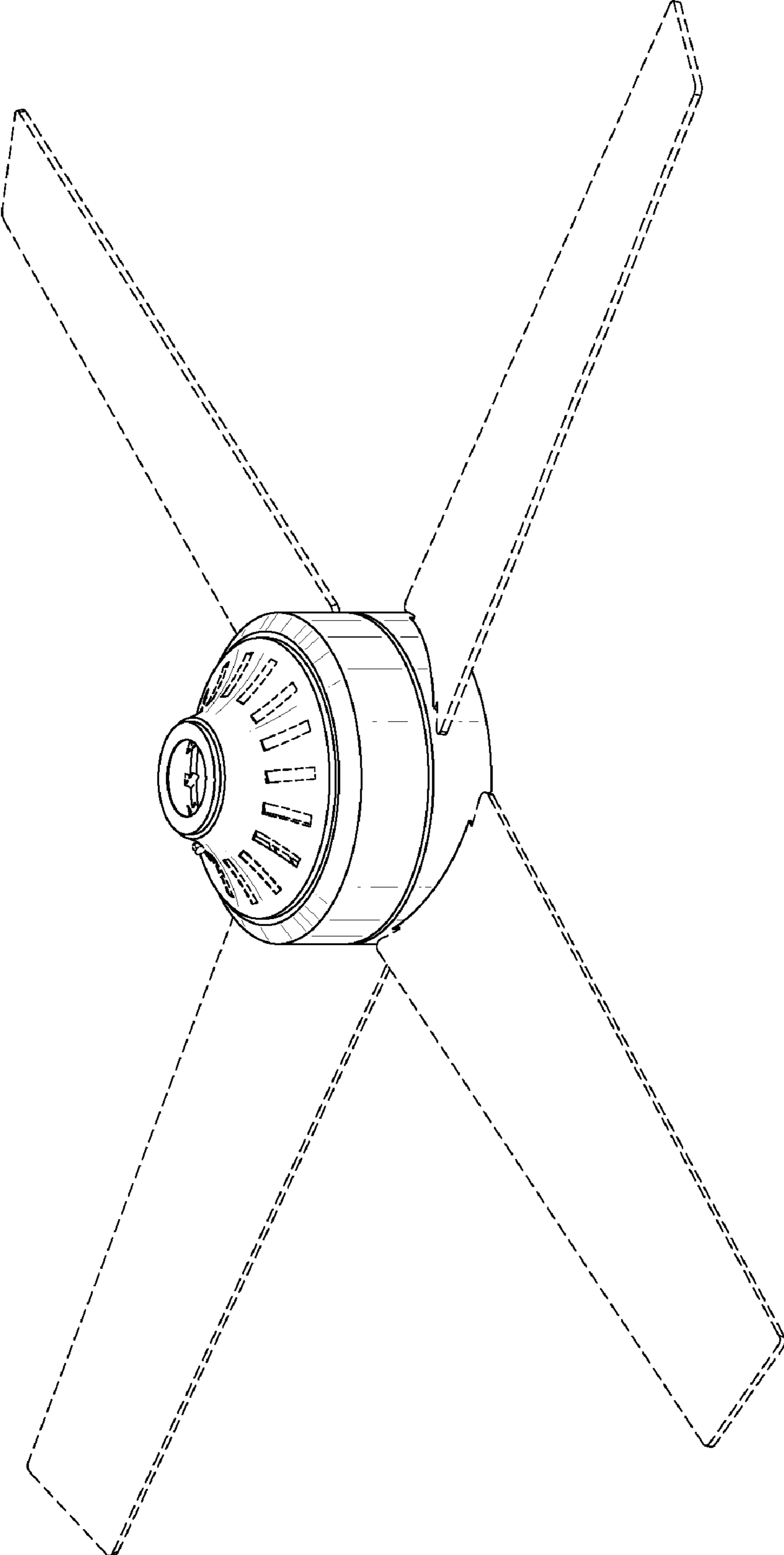


FIG. 1

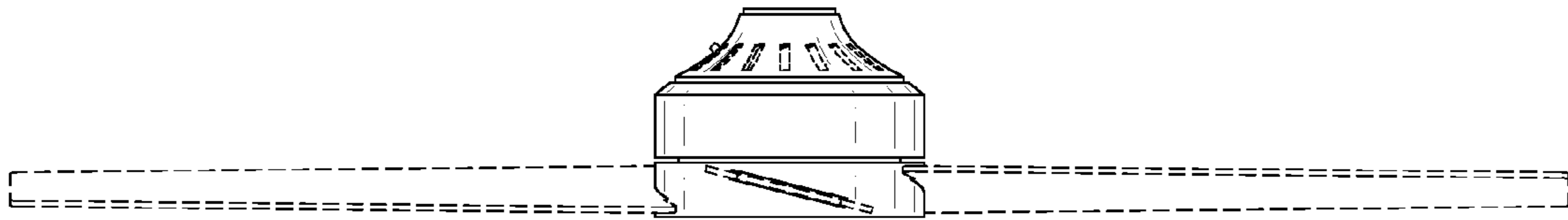


FIG. 2

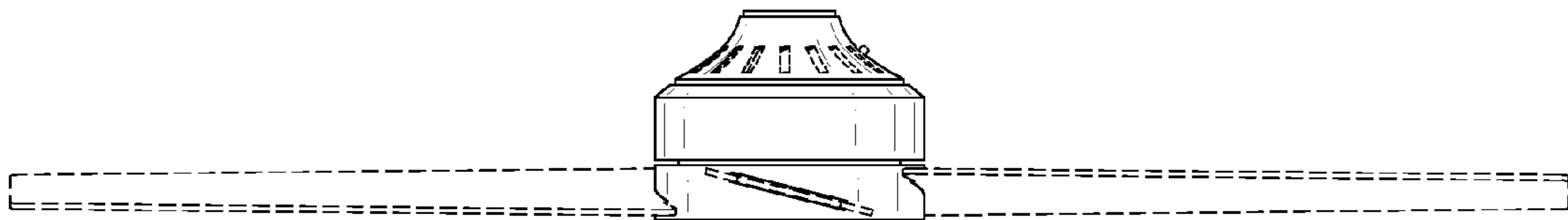


FIG. 3

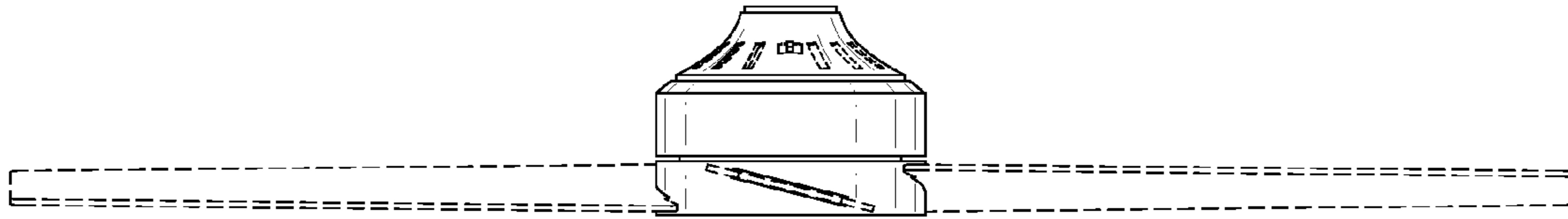


FIG. 4

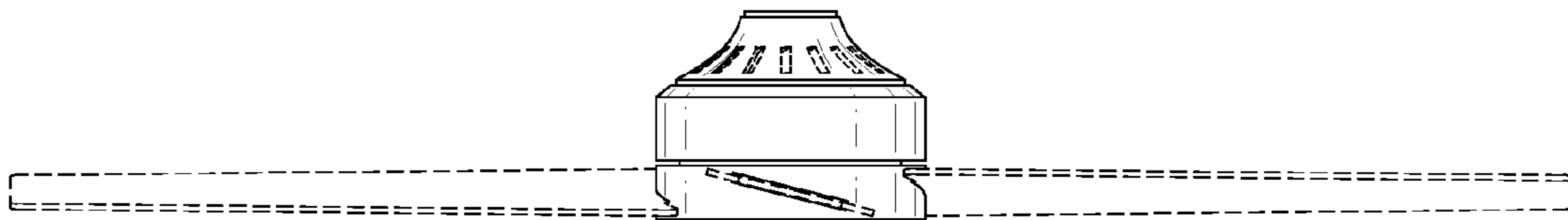


FIG. 5

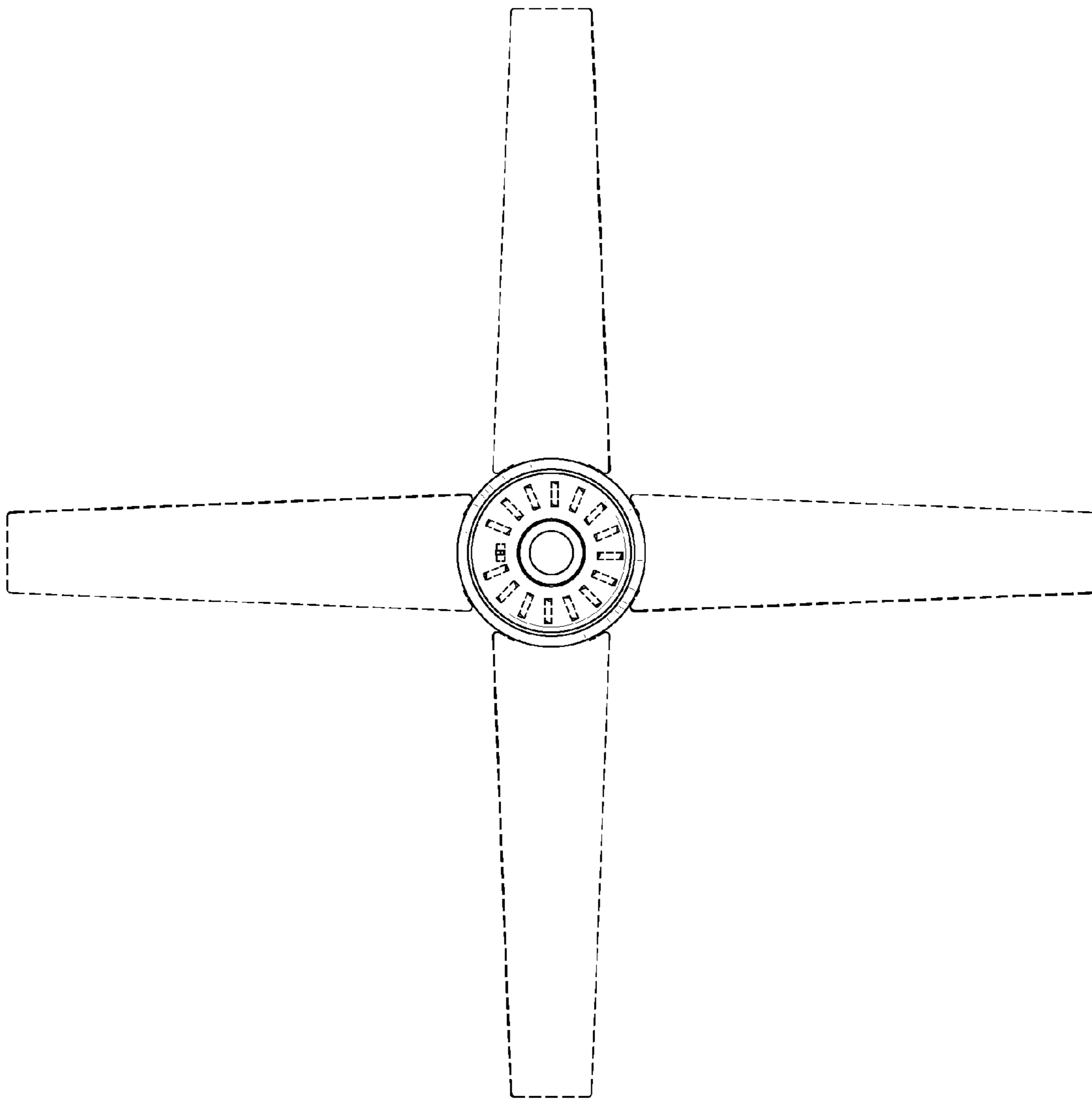


FIG. 6

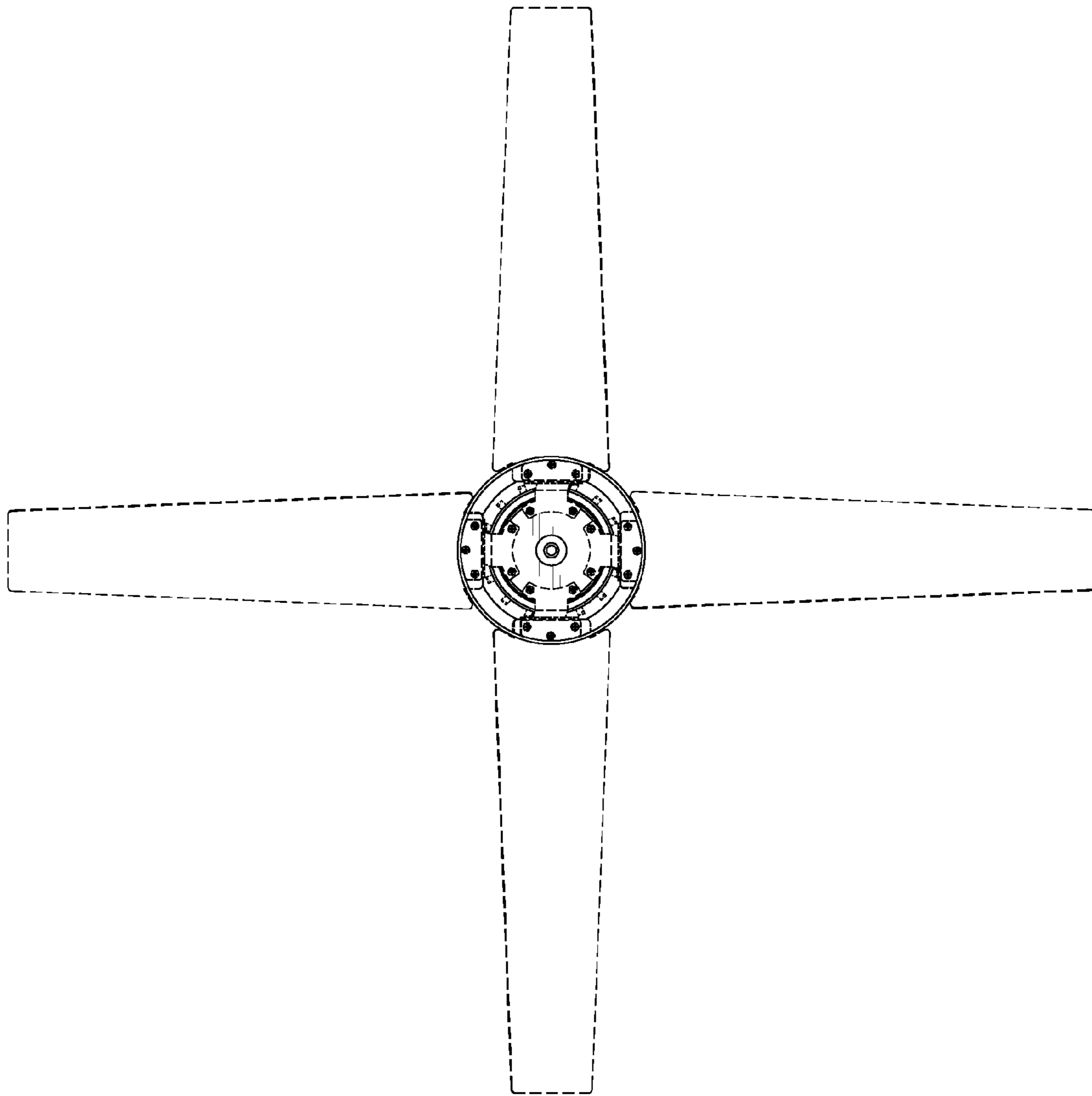


FIG. 7