



US00D627870S

(12) **United States Design Patent**
Wang

(10) **Patent No.:** **US D627,870 S**

(45) **Date of Patent:** **** Nov. 23, 2010**

(54) **CEILING FAN MOTOR HOUSING AND LIGHT KIT**

Primary Examiner—Lisa P Lichtenstein

(74) *Attorney, Agent, or Firm*—Ming Chow; Sinorica, LLC

(75) **Inventor:** **Cliff Wang**, Taichung (TW)

(57) **CLAIM**

(73) **Assignee:** **Landmark Enterprise Inc.**, Bandar Seri Begawan (BN)

I claim the ornamental design for a ceiling fan motor housing and light kit, as shown and described.

(**) **Term:** **14 Years**

(21) **Appl. No.:** **29/358,339**

DESCRIPTION

(22) **Filed:** **Mar. 25, 2010**

(51) **LOC (9) Cl.** **23-04**

FIG. 1 is a front perspective view of a ceiling fan motor housing and light kit showing my new design;

(52) **U.S. Cl.** **D23/411**

FIG. 2 is a front elevational view thereof;

(58) **Field of Classification Search** D23/377,
D23/379, 385, 411, 413; 416/5; D26/59,
D26/72, 81–86, 88, 51

FIG. 3 is a rear elevational view thereof.

See application file for complete search history.

FIG. 4 is a left side elevational view thereof;

FIG. 5 is a right side elevational view thereof;

(56) **References Cited**

U.S. PATENT DOCUMENTS

D562,967 S * 2/2008 Pickett D23/411

FIG. 6 is a top plan view thereof; and,

D573,242 S * 7/2008 Pan D23/377

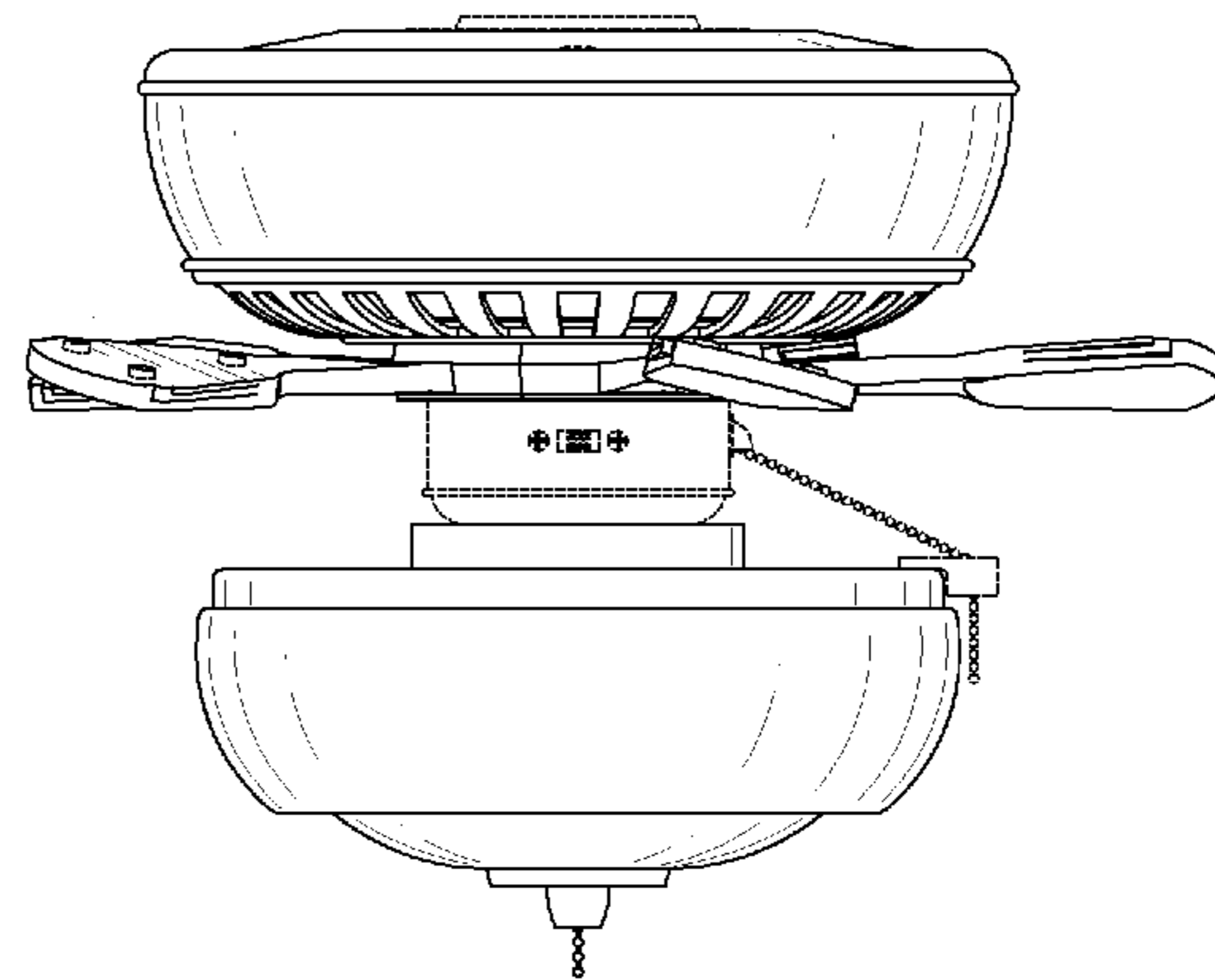
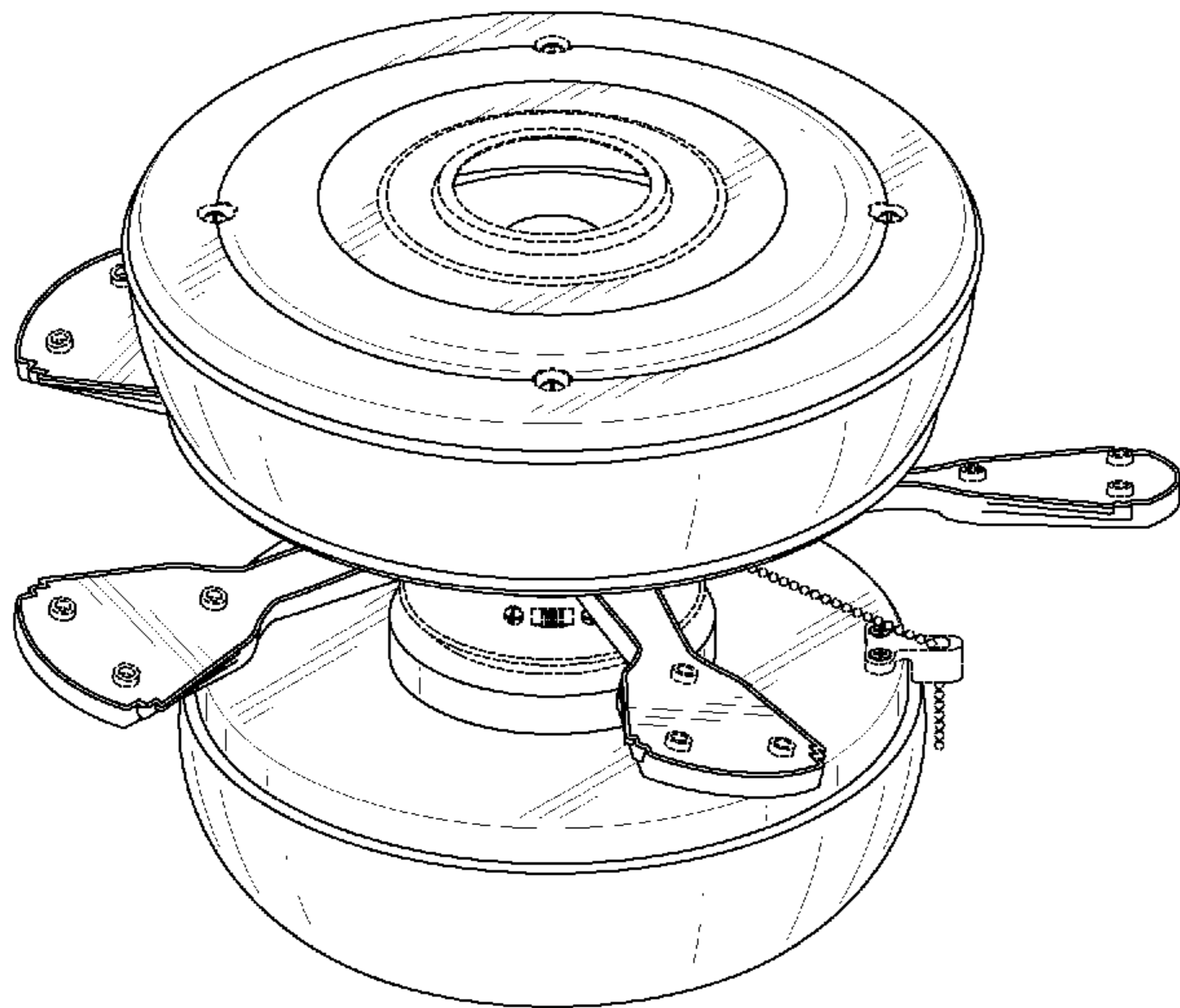
FIG. 7 is a bottom plan view thereof.

D594,540 S * 6/2009 Pan D23/377

The broken lines are for the purpose of illustrating environmental structure and form no part of the claimed design.

* cited by examiner

1 Claim, 5 Drawing Sheets



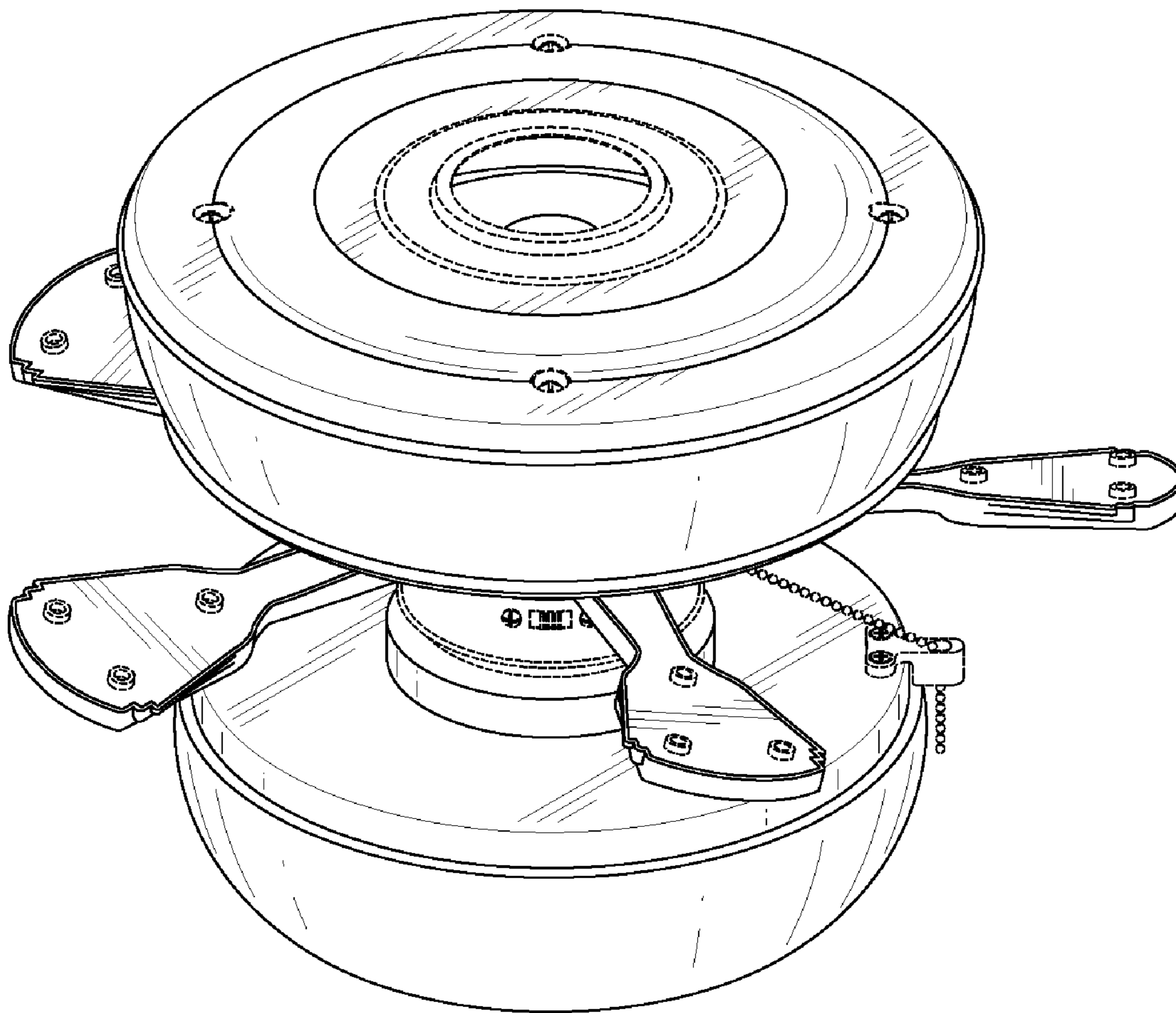


FIG. 1

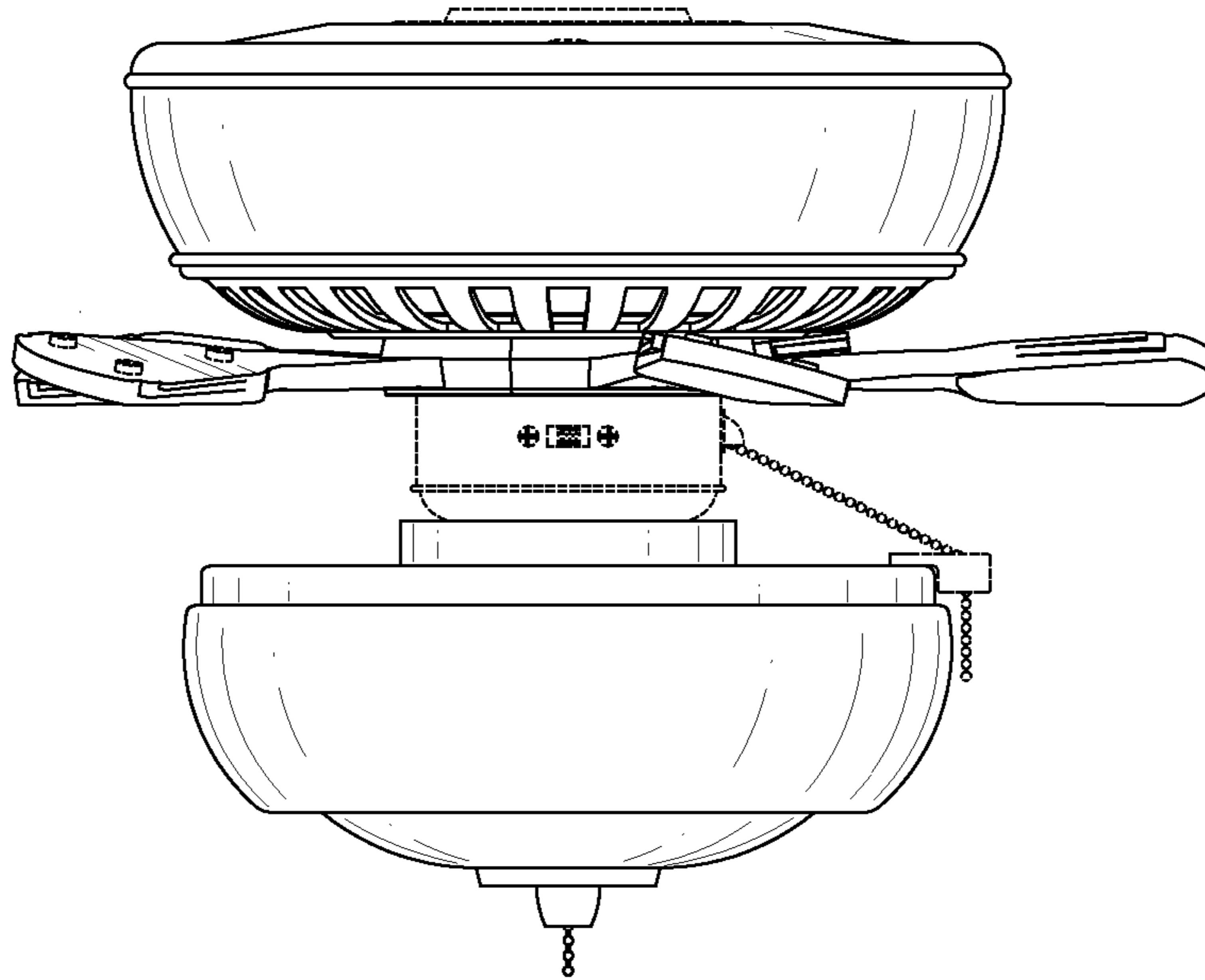


FIG. 2

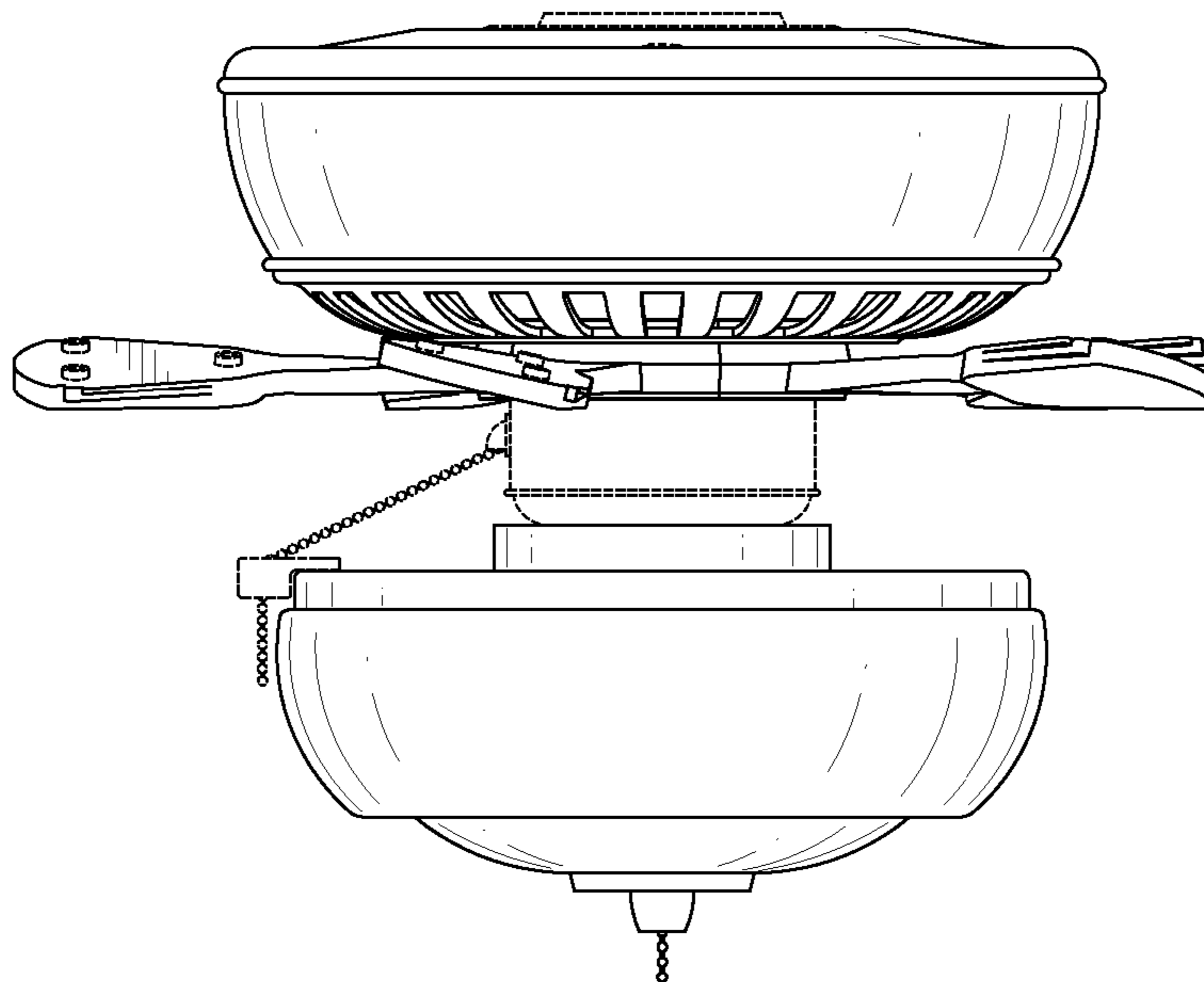


FIG. 3

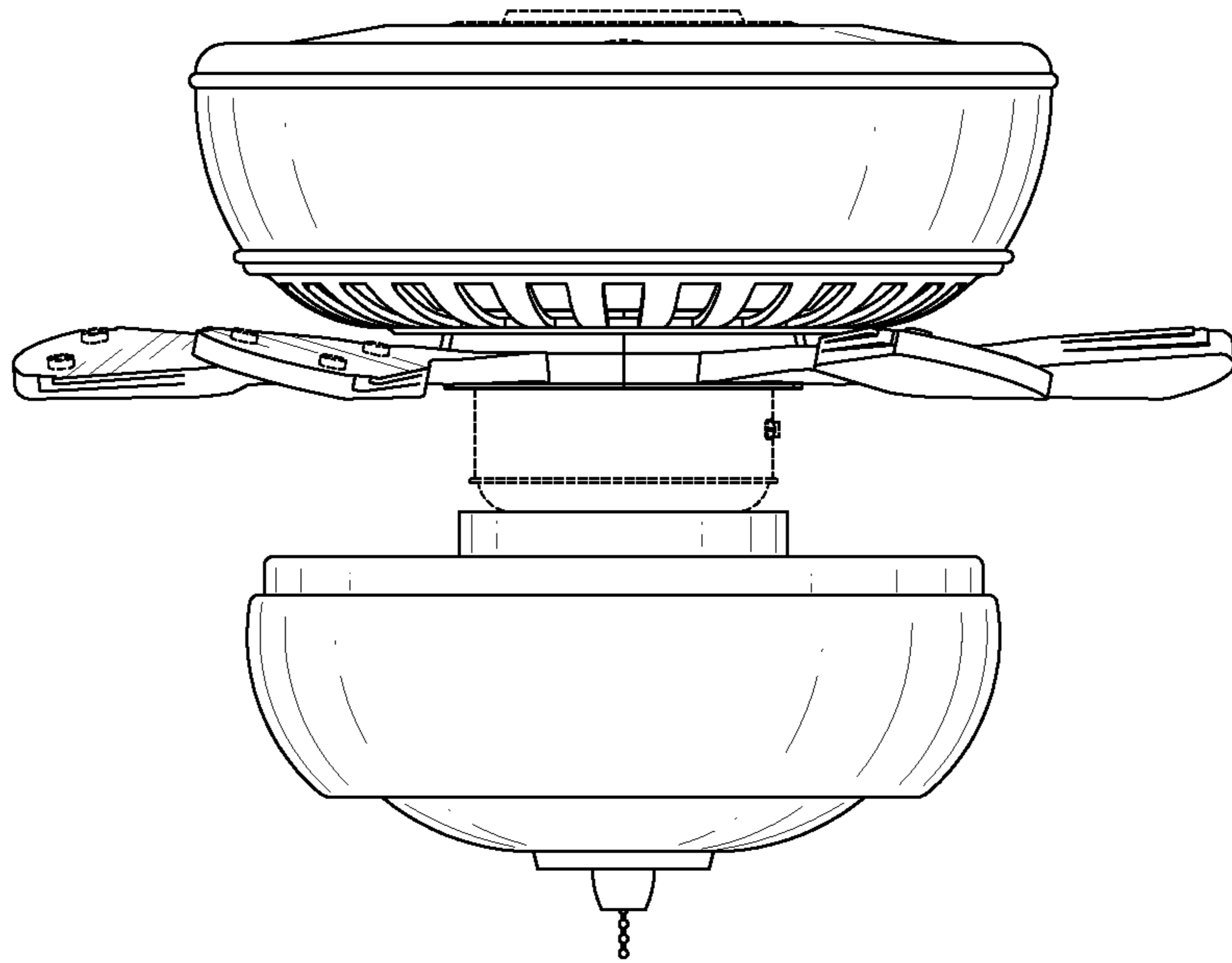


FIG. 4

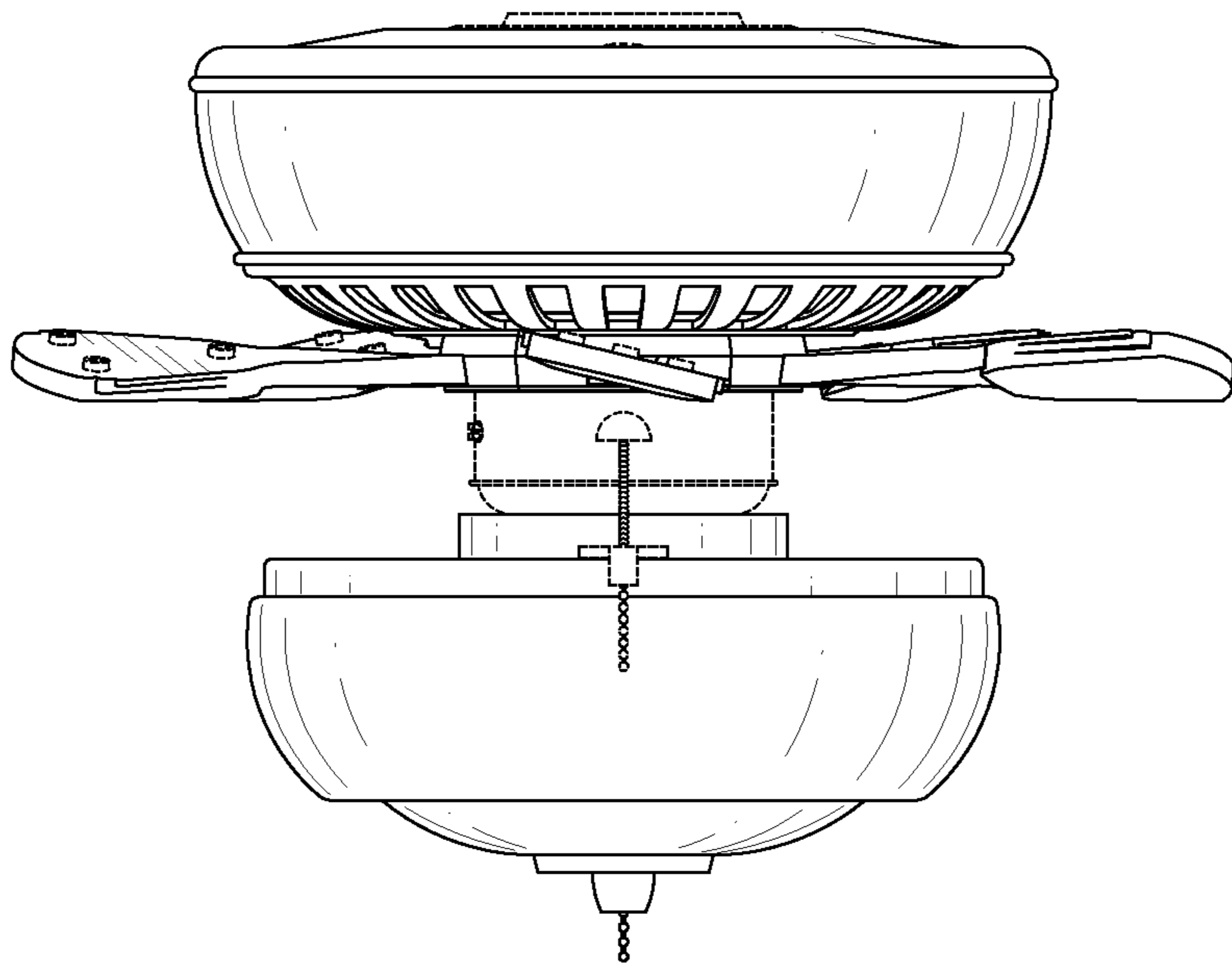


FIG. 5

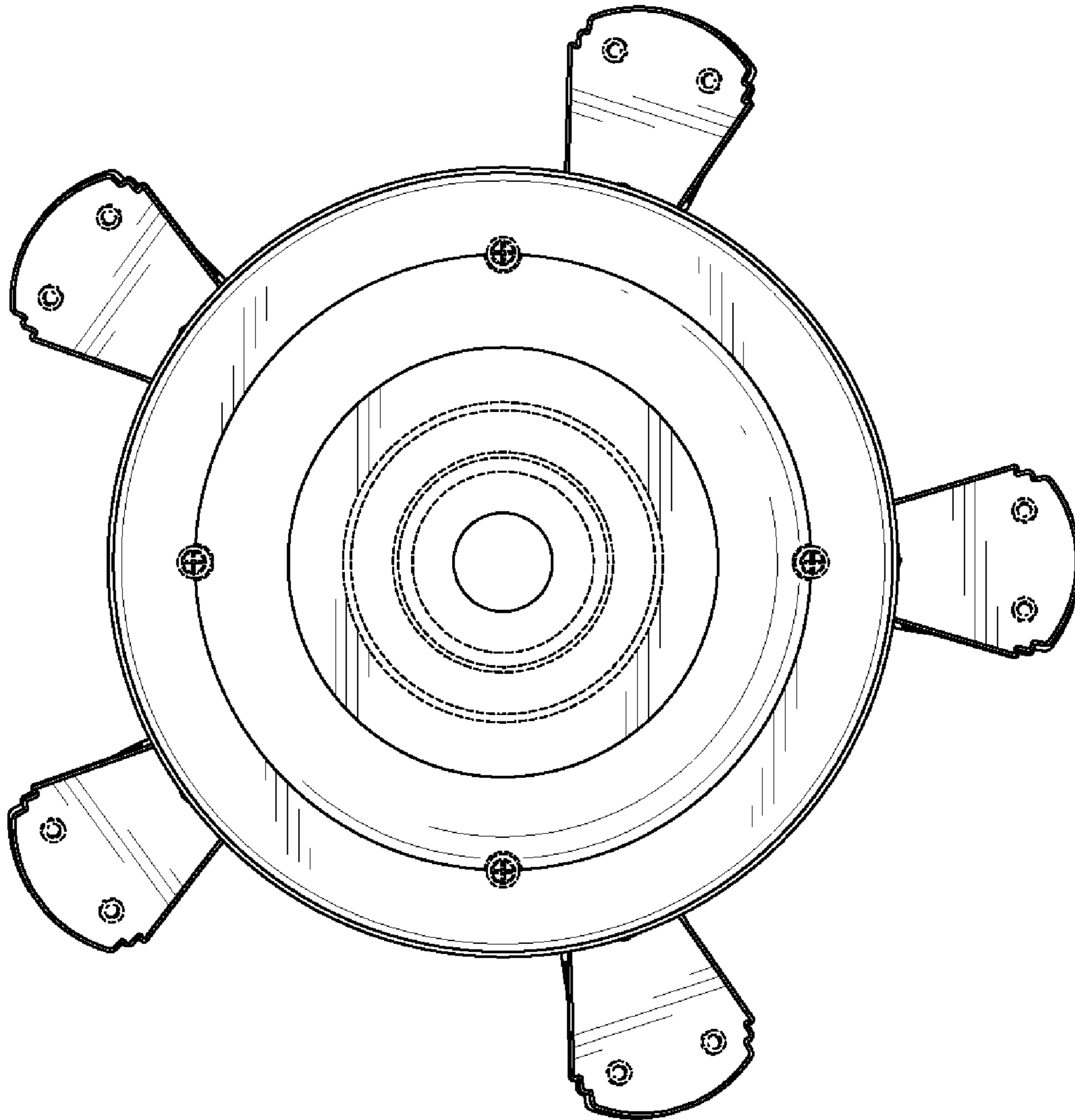


FIG. 6

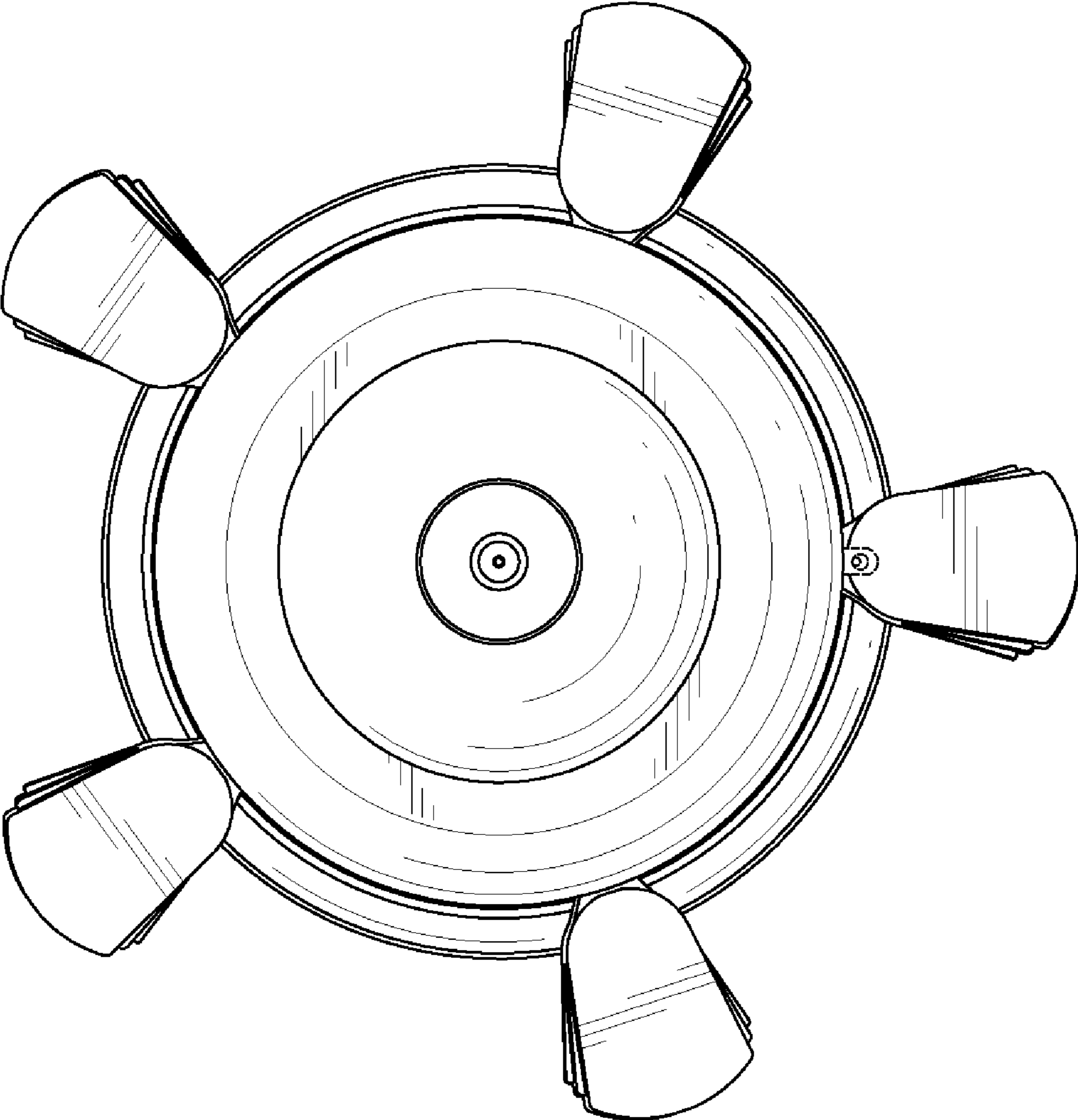


FIG. 7