



US00D627866S

(12) **United States Design Patent**  
**Hanna**

(10) **Patent No.:** **US D627,866 S**

(45) **Date of Patent:** **\*\* Nov. 23, 2010**

(54) **SHOWERHEAD ARM**

(75) Inventor: **Ken S. Hanna**, Adell, WI (US)

(73) Assignee: **Kohler Co.**, Kohler, WI (US)

(\*\*) Term: **14 Years**

(21) Appl. No.: **29/343,897**

(22) Filed: **Sep. 21, 2009**

(51) **LOC (9) Cl.** ..... **23-02**

(52) **U.S. Cl.** ..... **D23/303; D23/213**

(58) **Field of Classification Search** ..... D23/213,  
D23/229-230, 303-304, 254; 239/282-283;  
4/615

See application file for complete search history.

(56) **References Cited**

**U.S. PATENT DOCUMENTS**

6,276,004	B1 *	8/2001	Bertrand et al.	4/615
6,464,265	B1 *	10/2002	Mikol	285/333
D500,837	S *	1/2005	Pinkston et al.	D23/213
D523,520	S *	6/2006	Theberge	D23/213
D560,752	S *	1/2008	Rexach	D23/213
D572,337	S *	7/2008	Rexach	D23/213

**OTHER PUBLICATIONS**

Claremont Square Chrome Showerhead. Model No. KX8221. Overstock.com online catalog. Copyright 2008 Overstock.com.  
Hudson Reed. Minimalist Square Fixed Chrome Showerhead and Arm. Product Ref.: A3239, HudsonReed.com online catalog. Copyright 2008 Hudson Reed US.

\* cited by examiner

*Primary Examiner*—Robin V Webster

(74) *Attorney, Agent, or Firm*—Quarles & Brady LLP

(57) **CLAIM**

The ornamental design for a showerhead arm, as shown and described.

**DESCRIPTION**

FIG. 1 is a left, front perspective view of a showerhead arm according to my new design, shown with showerhead environment;

FIG. 2 is a left side elevational view thereof, the right side elevational view thereof being a mirror image of the left side shown;

FIG. 3 is a top plan view thereof;

FIG. 4 is a bottom plan view thereof;

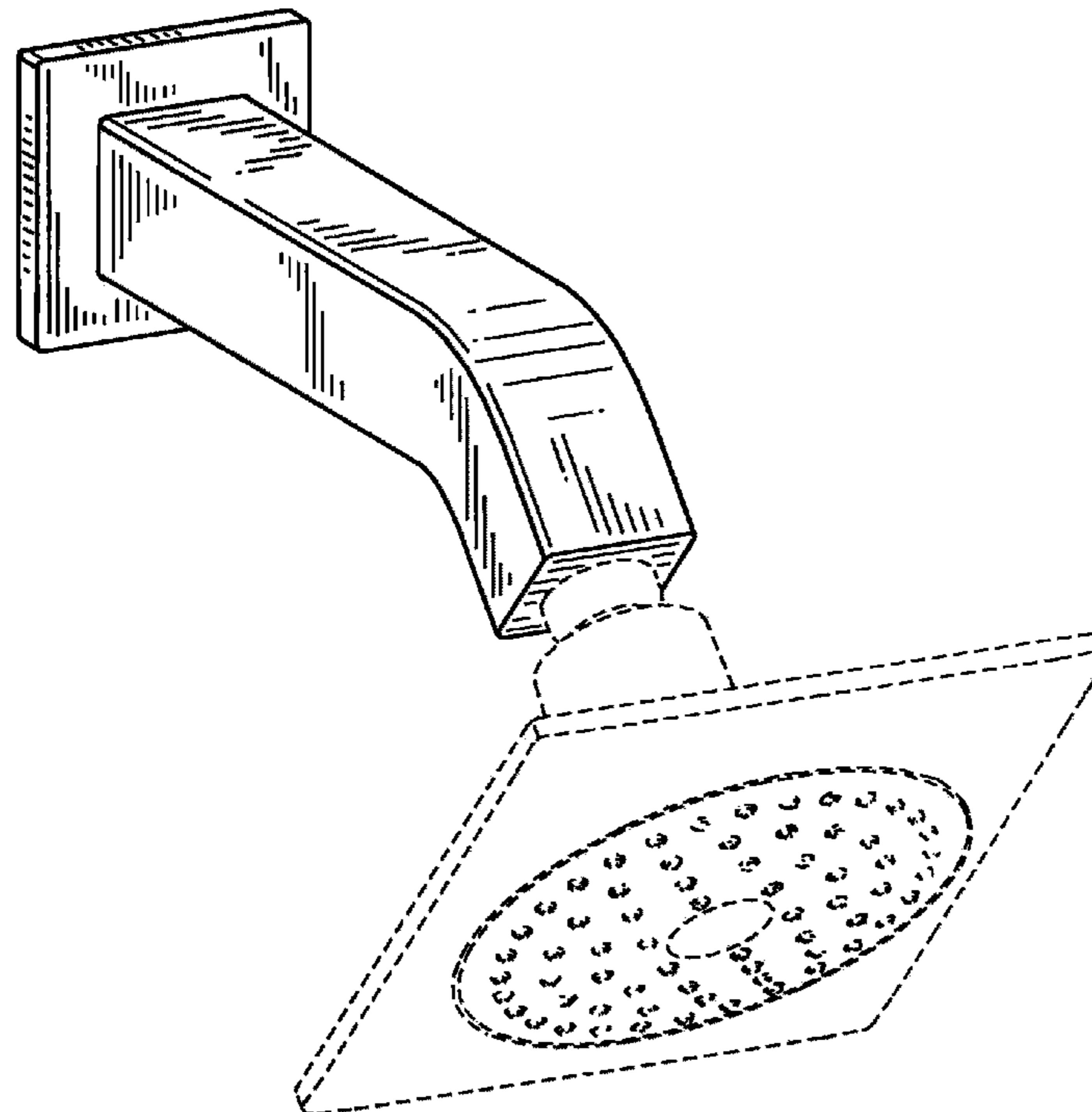
FIG. 5 is a front elevational view thereof; and,

FIG. 6 is a rear elevational view thereof.

The broken line representations in the figures of the drawings are for the purpose of illustration only, and form no part of the claimed design.

In a preferred embodiment, the nature of this product is as a plumbing fitting in the form of a support arm for a showerhead primary useful for washing body parts.

**1 Claim, 5 Drawing Sheets**



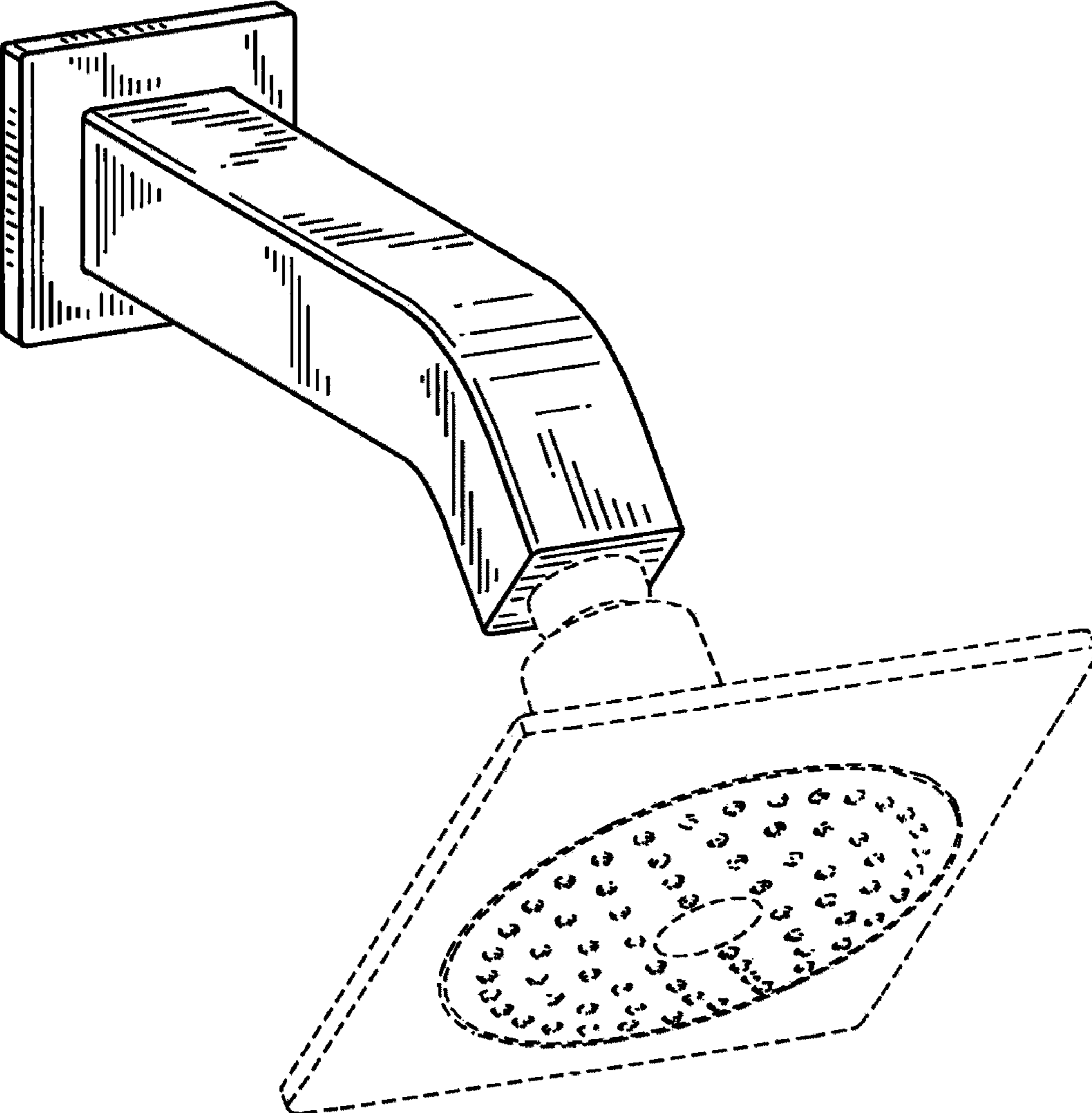


FIG. 1

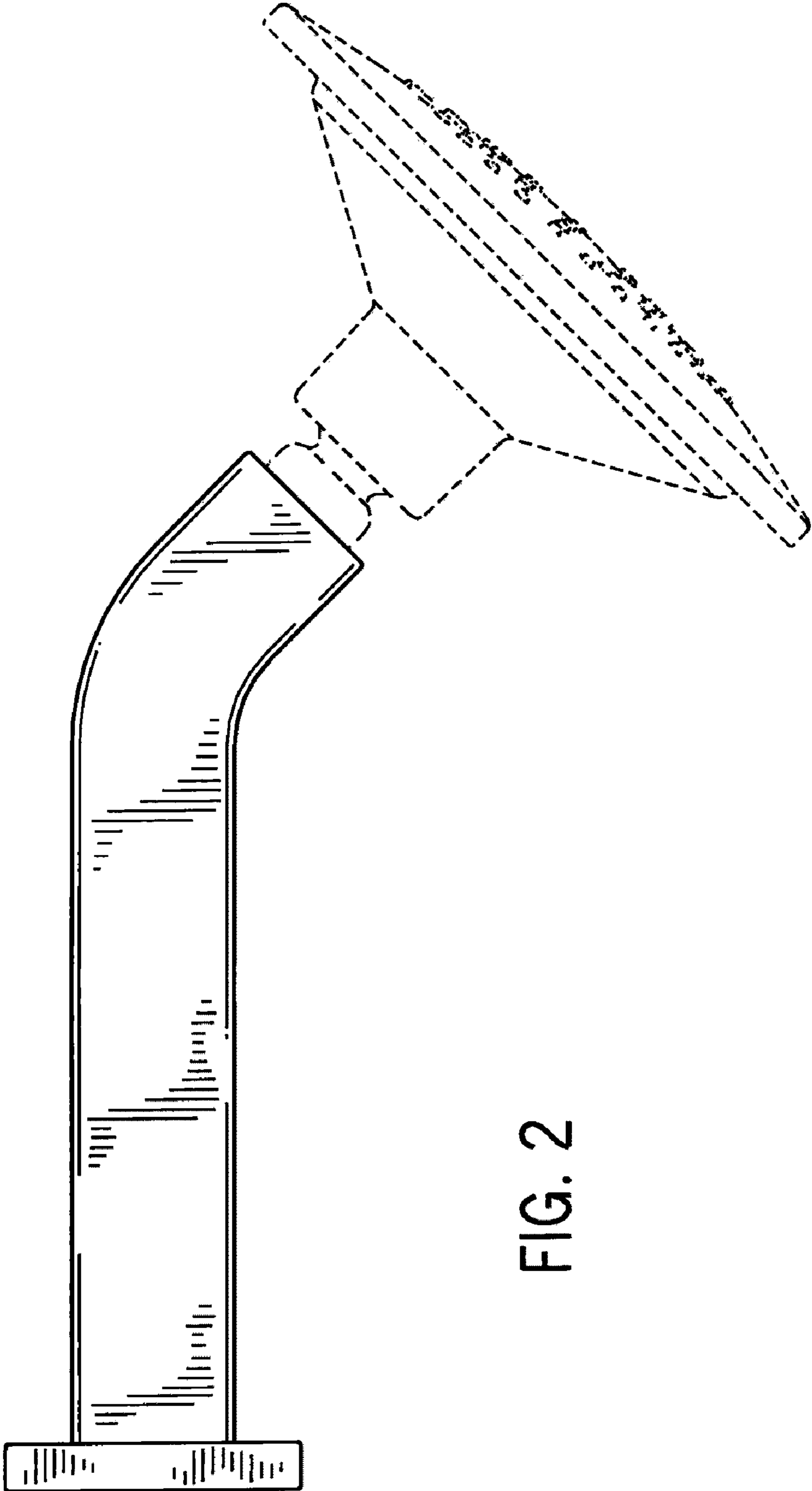


FIG. 2

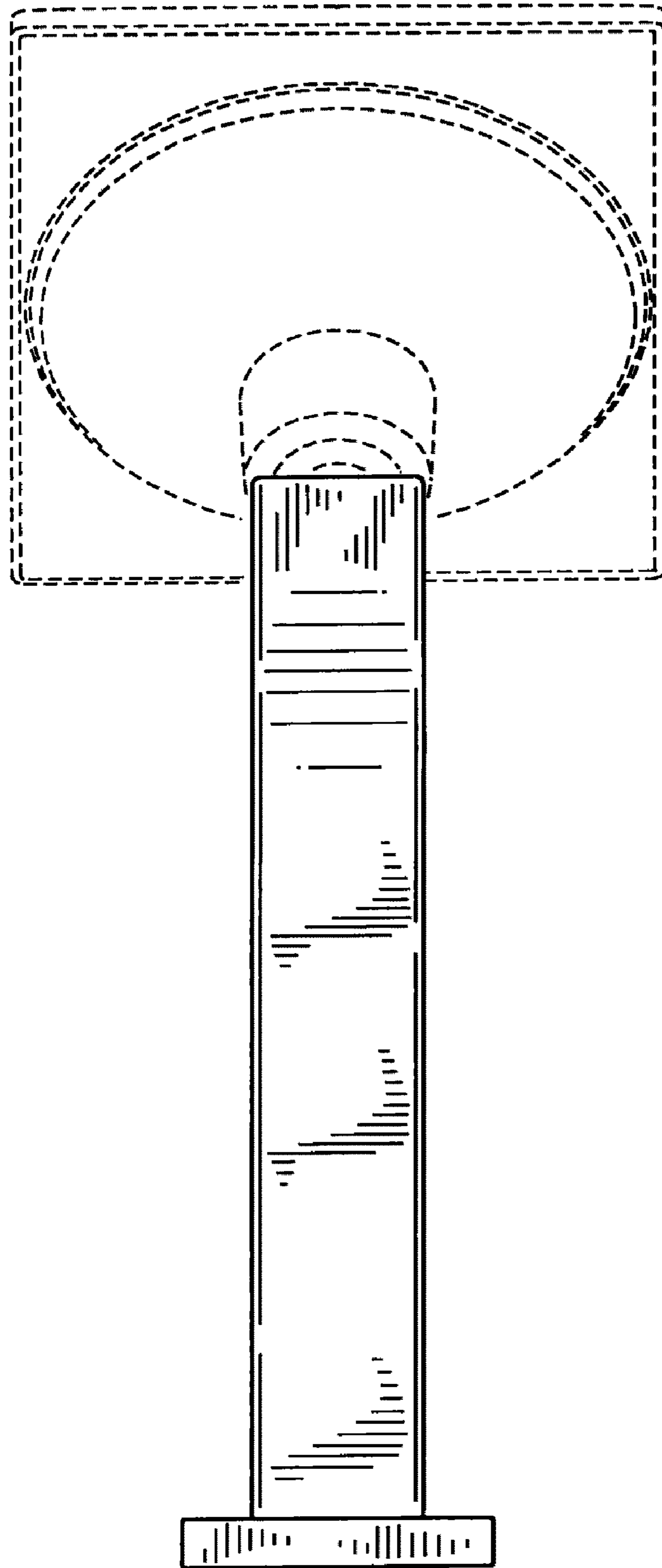


FIG. 3

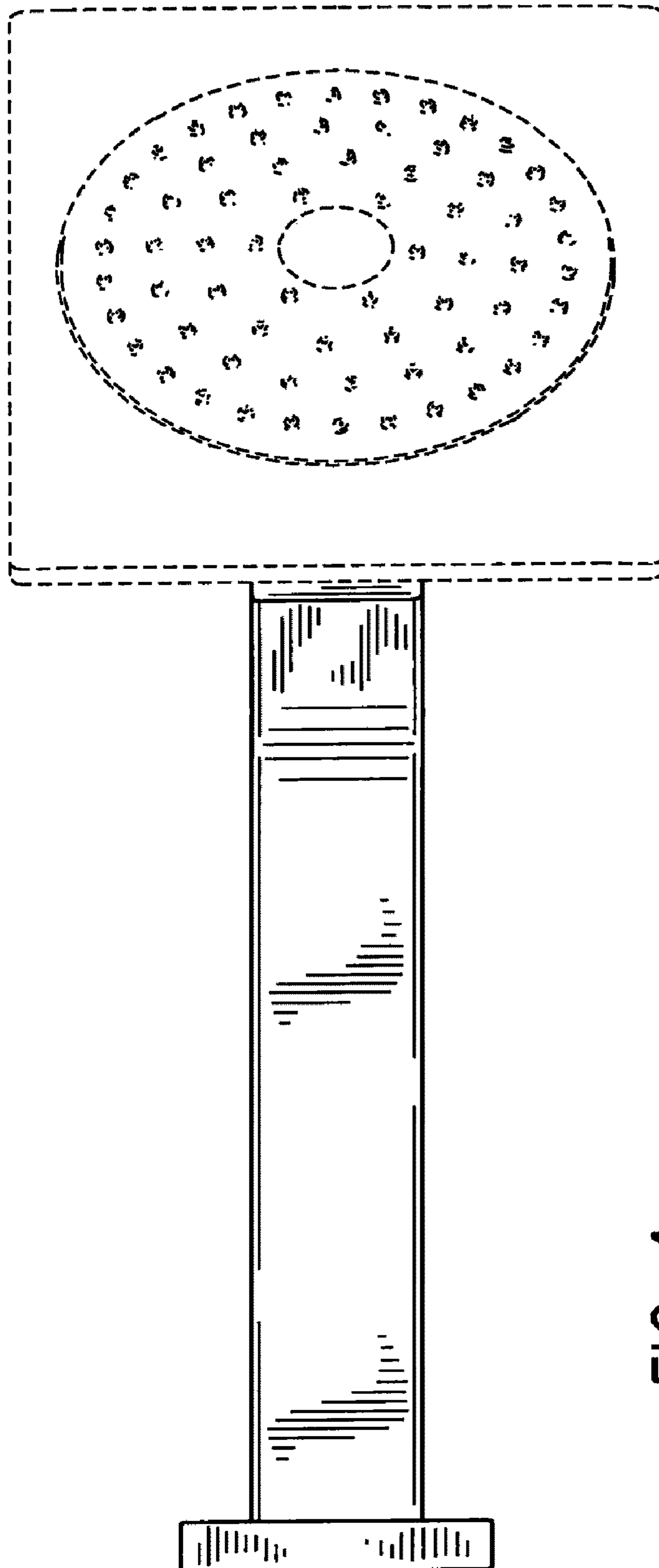


FIG. 4

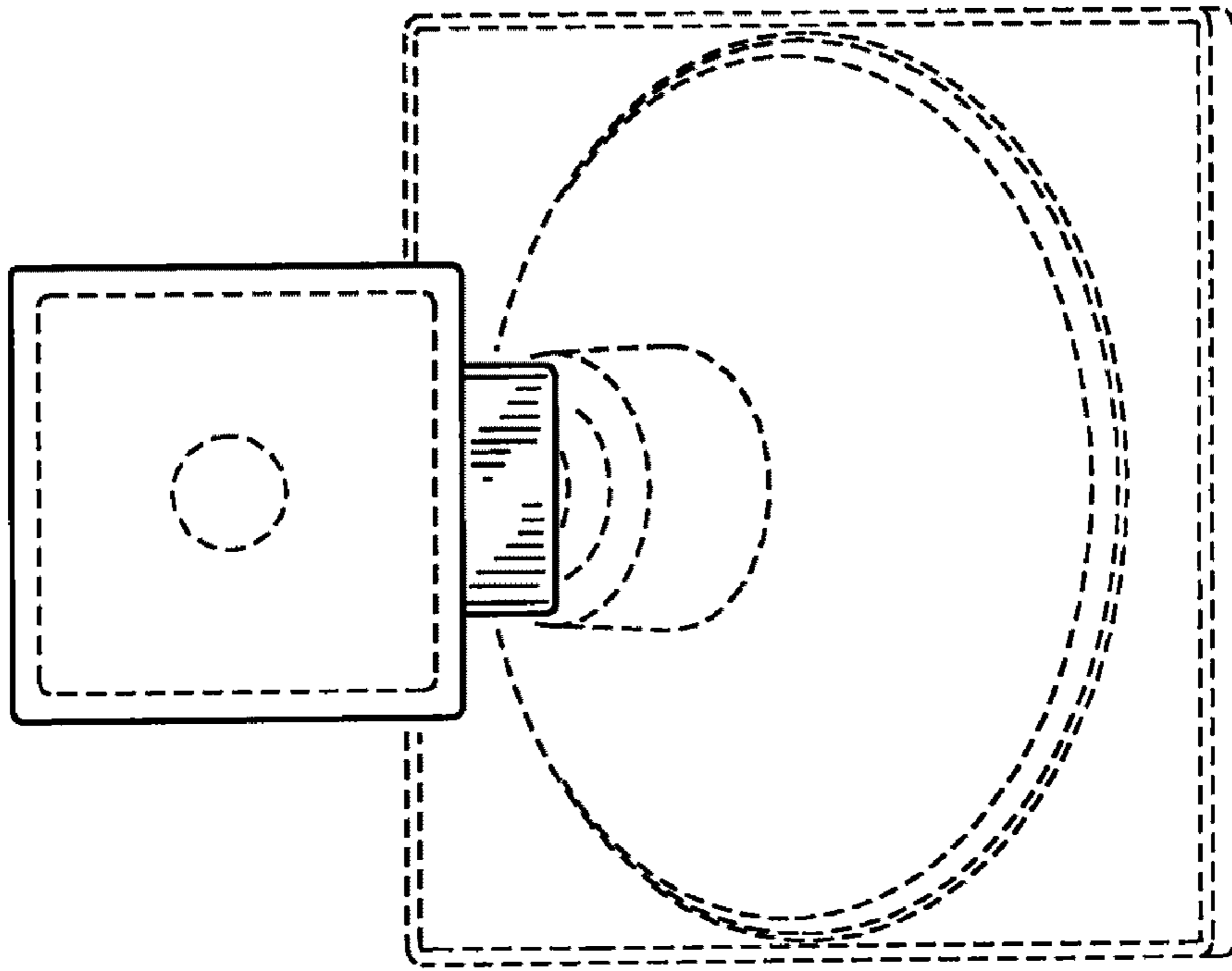


FIG. 6

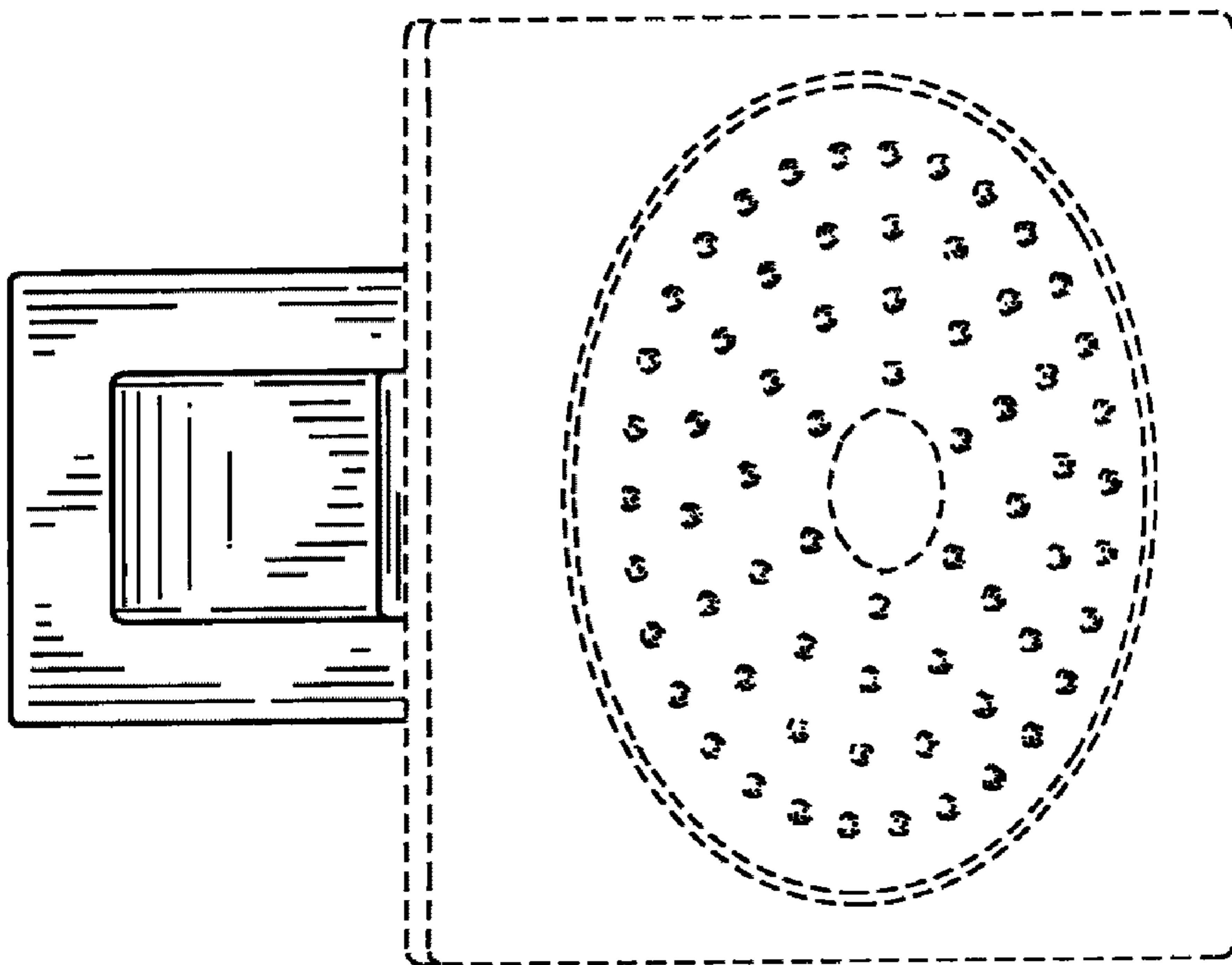


FIG. 5